

Model 3801 Shown
(Mounting rails sold separately)

38 Frame Block-Style Stainless Steel Plunger Pump

**Standard
Models**

3801, 3811

**Flushed
Models**

3801K, 3811K

FEATURES

- Triplex design delivers high efficiency and low pulsation.
- Durable dual V-Packings are lubricated and cooled by pumped liquid.
- Pre-set Lo-Pressure seals provide secondary protection against external leaks and require no packing adjustments.
- Special high-density, polished, concentric plungers provide a true wear surface and extended seal life.
- Specially formulated Seals and V-Packings offer unmatched performance and extended life.
- Interchangeable inlet and discharge valves for easy servicing.
- Wet-end easily serviced without entering crankcase.

COMMON SPECIFICATIONS

Inlet Pressure*Flooded to 70 psi	(Flooded to 4.9 bar)
Stroke1.890"	(48 mm)
Crankcase Capacity4.2 Qts.	(4 l)
Maximum Liquid Temperature160°F	(71°C)
Above 130°F call Cat Pumps for inlet conditions and elastomer recommendations.		
Inlet Ports (2)1-1/2" NPTF	(1-1/2" NPTF)
Flushing Ports (2)*1/2" NPTF	(1/2" NPTF)
Discharge Ports (2)1" NPTF	(1" NPTF)
Pulley MountingEither Side	(Either Side)
Shaft Diameter1.378"	(35 mm)
Weight170 lbs.	(77 kg)
Dimensions24.72 x 18.11 x 9.37"	(628 x 460 x 238 mm)

* K Models: Special Flushed Inlet Manifold permits external flush for added cooling with high temperature liquids and lubrication with low lubricity liquids.

⚠ CAUTIONS AND WARNINGS

All High Pressure Systems require a primary pressure regulating device (i.e. regulator, unloader) and a secondary pressure relief device (i.e. pop-off valve, relief valve). Failure to install such relief devices could result in personal injury or damage to pump or property. CAT PUMPS does not assume any liability or responsibility for the operation of a customer's high pressure system.

Read all CAUTIONS and WARNINGS before commencing service or operation of any high pressure system. The CAUTIONS and WARNINGS are included in each service manual and with each Accessory Data sheet. CAUTIONS and WARNINGS can also be viewed online at www.catpumps.com/cautions-warnings or can be requested directly from CAT PUMPS.

WARRANTY

View the Limited Warranty on-line at www.catpumps.com/warranty.

SPECIFICATIONS

U.S. Measure

Metric Measure

MODEL 3801, 3801K

Flow10.0 gpm	(38 lpm)
Pressure Range100 to 5000 psi	(7 to 345 bar)
RPM915 rpm	(915 rpm)
Bore0.787"	(20 mm)

MODEL 3811, 3811K

Flow14 gpm	(53 lpm)
Pressure Range100 to 3000 psi	(7 to 210 bar)
RPM800 rpm	(800 rpm)
Bore0.984"	(25 mm)

ELECTRIC HORSEPOWER REQUIREMENTS

MODEL	FLOW		PRESSURE						RPM
			psi	psi	psi	psi	psi	psi	
			2000	2500	3000	4000	4500	5000	
	U.S.		bar	bar	bar	bar	bar	bar	
	gpm	lpm	140	175	210	275	310	345	
3801 3801K	10.0	38.0	N/A	N/A	N/A	27.4	30.8	34.2	915
	9.0	34.0	N/A	N/A	N/A	24.7	27.8	30.9	824
	8.0	30.0	N/A	N/A	N/A	22.0	24.7	27.5	732
3811 3811K	14.0	53.0	19.2	24.0	28.8	N/A	N/A	N/A	800
	12.0	45.0	16.5	20.6	24.7	N/A	N/A	N/A	685
	10.0	38.0	13.7	17.2	20.6	N/A	N/A	N/A	571

**DETERMINING
THE PUMP R.P.M.**

Rated gpm

=

"Desired" gpm

Rated rpm

"Desired" rpm

**DETERMINING
THE REQUIRED H.P.**

gpm x psi

=

Electric Brake

1460

H. P. Required

**DETERMINING
MOTOR PULLEY SIZE**

Motor Pulley O.D.

=

Pump Pulley O.D.

Pump rpm

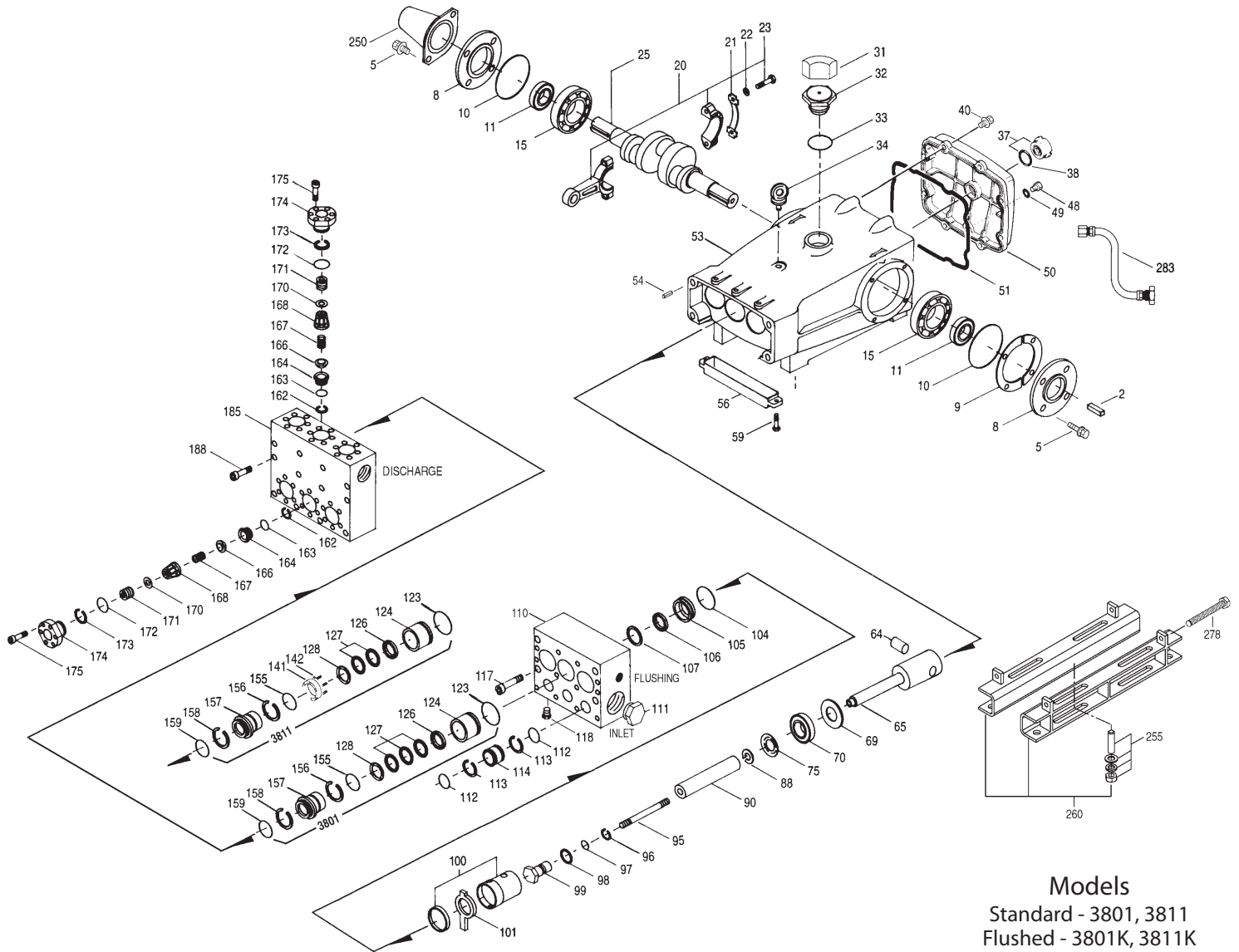
Motor rpm

See complete Drive Packages (Incls: Pulleys, Belts, Hubs, Key) Tech Bulletin 003.
Refer to pump **Service Manual** for repair procedure and additional technical information.

PARTS LIST

ITEM	3801	MATL	3801K	MATL	3811	MATL	3811K	MATL	DESCRIPTION	QTY
2	34021	STL	34021	STL	34021	STL	34021	STL	Key (M10x8x70)	1
5	125753	S	125753	S	125753	S	125753	S	Screw, HH Sems (M8x25)	8
8	44542	AL	44542	AL	44542	AL	44542	AL	Cover, Bearing	2
9	815279	FBR	815279	FBR	815279	FBR	815279	FBR	Shim, Split 2-Pc	0-2
10	12398	NBR	12398	NBR	12398	NBR	12398	NBR	O-Ring, Bearing Cover - 70D	2
11	13296	NBR	13296	NBR	13296	NBR	13296	NBR	Seal, Oil, Crankshaft	2
15	29326	STL	29326	STL	29326	STL	29326	STL	Bearing, Roller	2
20	121467	TNM	121467	TNM	121467	TNM	121467	TNM	Rod, Connecting Assy (Incls: 21, 22, 23) [10/00]	3
21	126749	STCP R	126749	STCP R	126749	STCP R	126749	STCP R	Washer, Locking (M10)	3
22	126593	STCP R	126593	STCP R	126593	STCP R	126593	STCP R	Washer, Flat (M10)	6
23	122045	STZP	122045	STZP	122045	STZP	122045	STZP	Screw, HH (M10x55)	6
25	29325	FCM	29325	FCM	29325	FCM	29325	FCM	Crankshaft, Dual End (M48)	1
31	828710	PE	828710	PE	828710	PE	828710	PE	Protector, Oil Cap w/Foam Gasket	1
32	43211	ABS	43211	ABS	43211	ABS	43211	ABS	Cap, Oil Filler	1
33	14177	NBR	14177	NBR	14177	NBR	14177	NBR	O-Ring, Oil Filler Cap - 70D	1
34	126743	STCP R	126743	STCP R	126743	STCP R	126743	STCP R	Bolt, Eye (M12x1.75) (For Lifting Pump Only)	1
37	92241	—	92241	—	92241	—	92241	—	Gauge, Oil, Bubble w/Gasket - 80D	1
38	44428	NBR	44428	NBR	44428	NBR	44428	NBR	Gasket, Flat, Oil Gauge - 80D	1
40	125753	S	125753	S	125753	S	125753	S	Screw, HH Sems (M8x25)	8
48	25625	STCP	25625	STCP	25625	STCP	25625	STCP	Plug, Drain (1/4"x19BSP)	1
49	23170	NBR	23170	NBR	23170	NBR	23170	NBR	O-Ring, Drain Plug - 70D	1
50	45936	AL	45936	AL	45936	AL	45936	AL	Cover, Rear	1
51	16612	NBR	16612	NBR	16612	NBR	16612	NBR	O-Ring, Cover - 70D	1
53	44487	AL	44487	AL	44487	AL	44487	AL	Crankcase Assy (Incls: 34, 54)	1
54	27488	S	27488	S	27488	S	27488	S	Pin, Guide	2
56	27790	POP	27790	POP	27790	POP	27790	POP	Pan, Oil	1
59	92538	S	92538	S	92538	S	92538	S	Screw, HHC Sems (M6x16)	2
64	43864	CM	43864	CM	43864	CM	43864	CM	Pin, Crosshead	3
65	45118	SSZZ	45118	SSZZ	45118	SSZZ	45118	SSZZ	Rod, Plunger	3
69	126587	STCP R	126587	STCP R	126587	STCP R	126587	STCP R	Washer, Oil Seal	3
70	100488	NBR	100488	NBR	100488	NBR	100488	NBR	Seal, Oil, Crankcase	3
	44739	FPM	44739	FPM	44739	FPM	44739	FPM	Seal, Oil, Crankcase	3
75	43506	S	43506	S	43865	S	43865	S	Slinger, Barrier	3
88	45675	S	45675	S	45676	S	45676	S	Washer, Keyhole	3
90	43945	CC	43945	CC	43866	CC	43866	CC	Plunger (M20x145) (M25x145)	3
95	89779	S	89779	S	89778	SS	89778	SS	Stud, Plunger Retainer (M7x123) (M10x135)	3
96	20184	PTFE	20184	PTFE	20189	PTFE	20189	PTFE	Back-up-Ring, Plunger Retainer	3
97	14190	NBR	14190	NBR	11345	NBR	11345	NBR	O-Ring, Plunger Retainer - 70D	3
	14161	FPM	14161	FPM	11375	FPM	11375	FPM	O-Ring, Plunger Retainer	3
	48239	EPDM	48239	EPDM	701490	EPDM	701490	EPDM	O-Ring, Plunger Retainer	3
98	44069	SS	44069	SS	44085	SS	44085	SS	Gasket, Plunger Retainer	3
99	44068	SS	44068	SS	44084	SS	44084	SS	Retainer, Plunger (M7) (M10)	3
100	814279	PVDF	814279	PVDF	44096	—	44096	—	Retainer, Seal [See Tech Bulletin 105]	3
101	44095	—	44095	—	44096	—	44096	—	Wick	3
104	43875	NBR	43875	NBR	43875	NBR	43875	NBR	O-Ring, Inlet Adapter - 70D	3
	44826	FPM	44826	FPM	44826	FPM	44826	FPM	O-Ring, Inlet Adapter - 70D	3
	701656	EPDM	701656	EPDM	701656	EPDM	701656	EPDM	O-Ring, Inlet Adapter - 70D	3
105	701344	SS	701344	SS	701323	SS	701323	SS	Adapter, Inlet	3
106	44071	NBR	44071	NBR	44086	NBR	44086	NBR	Seal, LPS w/SS-Spg	3
	44381	FPM	44381	FPM	45846	FPM	45846	FPM	Seal, LPS w/SS-Spg	3
	701974	SFTB*	701974	SFTB*	701944	SFTA*	701944	SFTA*	Seal, LPS w/SS-Spg	3
107	44074	SS	44074	SS	44089	SS	44089	SS	Washer, LPS	3
110	701286	SS	701286	SS	701286	SS	701286	SS	Manifold, Inlet, Block-Style	1
	—	—	701408	SS	—	—	701408	SS	Manifold, Inlet, Block-Style, Flushed (1/2" Inlet Port) 3801K, 3811K	1
111	701116	SS	701116	SS	701116	SS	701116	SS	Plug, Inlet (1-1/2" NPT)	1
112	701794	NBR	701794	NBR	701794	NBR	701794	NBR	O-Ring, Inlet Spacer - 70D	6
	701318	FPM	701318	FPM	701318	FPM	701318	FPM	O-Ring, Inlet Spacer - 75D	6
	701495	EPDM	701495	EPDM	701495	EPDM	701495	EPDM	O-Ring, Inlet Spacer - 70D	6
113	701319	PTFE	701319	PTFE	701319	PTFE	701319	PTFE	Back-up-Ring, Inlet Spacer	6
114	701317	SS	701317	SS	701317	SS	701317	SS	Spacer, Inlet	3
117	701252	SS	701252	SS	701252	SS	701252	SS	Screw, HSH (M14x100)	4
118	701077	SS	701077	SS	701077	SS	701077	SS	Plug (1/4" NPT)	3
123	12391	NBR	12391	NBR	12391	NBR	12391	NBR	O-Ring, V-Packing Cylinder - 70D	3
	13266	FPM	13266	FPM	13266	FPM	13266	FPM	O-Ring, V-Packing Cylinder - 70D	3
	701657	EPDM	701657	EPDM	701657	EPDM	701657	EPDM	O-Ring, V-Packing Cylinder - 70D	3
124	701336	SS	701336	SS	701448	SS	701448	SS	Cylinder, V-Packing	3
126	44164	SS	44164	SS	701325	SS	701325	SS	Adapter, Female	3
127	44607	STG*	44607	STG*	44610	STG*	44610	STG*	V-Packing	9-6
128	44165	SS	44165	SS	701326	SS	701326	SS	Adapter, Male	3
141	—	—	—	—	45113	SS	45113	SS	Spring, Coil	15
142	—	—	—	—	701447	SS	701447	SS	Spacer w /Coil Springs	3
155	17622	NBR	17622	NBR	11379	NBR	11379	NBR	O-Ring, V-Packing Spacer	3
	11719	FPM	11719	FPM	14183	FPM	14183	FPM	O-Ring, V-Packing Spacer	3
	701654	EPDM	701654	EPDM	701491	EPDM	701491	EPDM	O-Ring, V-Packing Spacer	3
156	28675	PTFE	28675	PTFE	28243	PTFE	28243	PTFE	Back-up-Ring, V-Packing Spacer	3
157	701352	SS	701352	SS	701385	SS	701385	SS	Spacer, V-Packing	3
158	28675	PTFE	28675	PTFE	28243	PTFE	28243	PTFE	Back-up-Ring, V-Packing Spacer	3
159	17622	NBR	17622	NBR	11379	NBR	11379	NBR	O-Ring, V-Packing Spacer	3
	11719	FPM	11719	FPM	14183	FPM	14183	FPM	O-Ring, V-Packing Spacer	3
	701654	EPDM	701654	EPDM	701491	EPDM	701491	EPDM	O-Ring, V-Packing Spacer	3
162	21985	PTFE	21985	PTFE	21985	PTFE	21985	PTFE	Back-up-Ring, Seat	6
163	26089	NBR	26089	NBR	26089	NBR	26089	NBR	O-Ring, Seat - 80D	6
	11377	FPM	11377	FPM	11377	FPM	11377	FPM	O-Ring, Seat - 80D	6
	46647	EPDM	46647	EPDM	46647	EPDM	46647	EPDM	O-Ring, Seat - 80D	6
164	44080	SS	44080	SS	44080	SS	44080	SS	Seat	6
166	44081	SS	44081	SS	44081	SS	44081	SS	Valve	6
167	44082	SS	44082	SS	44082	SS	44082	SS	Spring	6
168	44735	PVDF	44735	PVDF	44735	PVDF	44735	PVDF	Retainer, Spring	6
170	44794	SS	44794	SS	44794	SS	44794	SS	Washer, Spring Retainer	6
171	44793	SS	44793	SS	44793	SS	44793	SS	Spring, Coil, Valve Plug	6
172	15853	NBR	15853	NBR	15853	NBR	15853	NBR	O-Ring, Valve Plug - 70D	6
	11720	FPM	11720	FPM	11720	FPM	11720	FPM	O-Ring, Valve Plug - 70D	6
	701481	EPDM	701481	EPDM	701481	EPDM	701481	EPDM	O-Ring, Valve Plug - 70D	6
173	20224	PTFE	20224	PTFE	20224	PTFE	20224	PTFE	Back-up-Ring, Valve Plug	6
174	701260	SS	701260	SS	701260	SS	701260	SS	Plug, Valve	6
175	87951	S	87951	S	87951	S	87951	S	Screw, HSH, Valve Plug (M10x30)	36

EXPLODED VIEW



Models
Standard - 3801, 3811
Flushed - 3801K, 3811K
May 2013

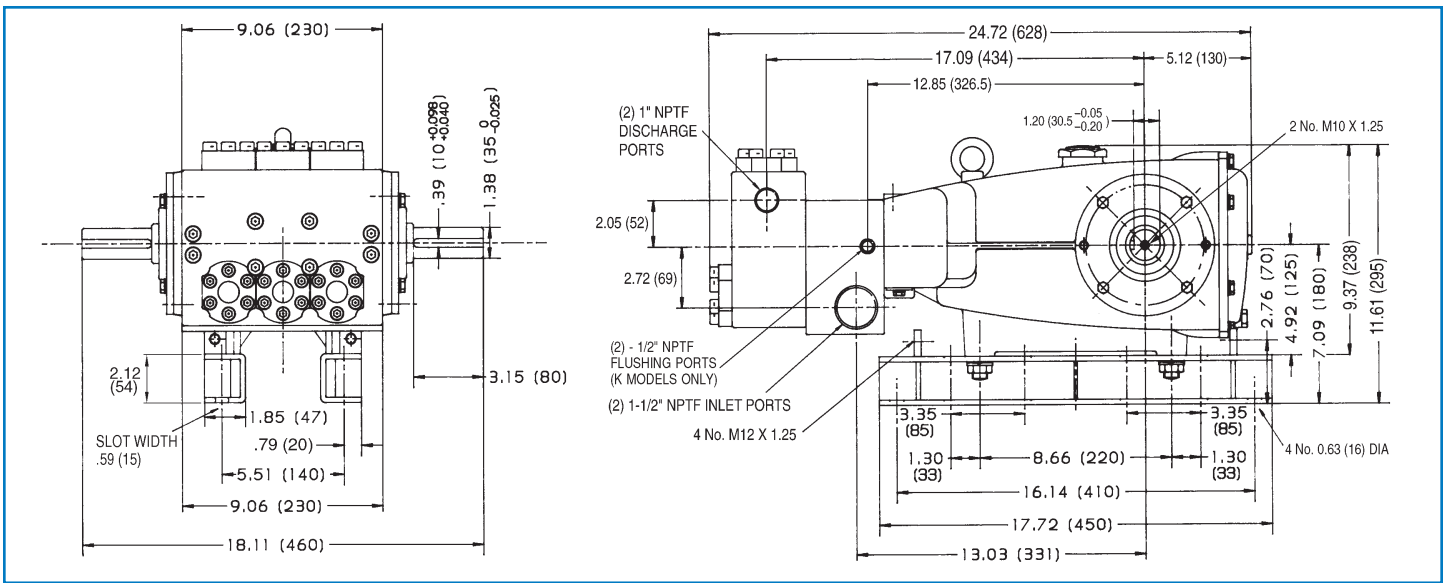
	3801	MATL	3801K	MATL	3811	MATL	3811K	MATL	DESCRIPTION	
185	701314	SS	701314	SS	701785	SS	701785	SS	Manifold, Discharge, Block-Style	1
188	701279	S	701279	S	701279	S	701279	S	Screw, HSH, (M12x100)	12
196	701342	SS	701342	SS	701342	SS	701342	SS	Plug, Discharge (1" NPT) Not Shown	1
250	44516	NY	44516	NY	44516	NY	44516	NY	Protector, Shaft w/2 Screws, Lockwashers and Washers (Incl w/Pump)	1
255	34039	S	34039	S	34039	S	34039	S	Assy, Direct Mount	1
260	92674	STZP	92674	STZP	92674	STZP	92674	STZP	Mount, Rail, Assy (Incls: 34018)	1
275	990013	STL	990013	STL	990013	STL	990013	STL	Hub, "B" (35mm w/Keyway) [See Tech Bulletin 003]	1
278	80540	ZP	80540	ZP	80540	ZP	80540	ZP	Screw, HH (M12x100) (Rail Adjusting Screw)	1
279	30278	STZP	30278	STZP	30278	STZP	30278	STZP	Oiler (1 oz.) (Not Shown)	3
281	30967	—	30967	—	30967	—	30967	—	Glass, Oiler (Not Shown)	3
282	10069	NBR	10069	NBR	10069	NBR	10069	NBR	Gasket, Oiler (Not Shown)	3
283	34314	—	34314	—	34314	—	34314	—	Kit, Oil Drain (3/8" x 48")	1
290	6124	—	6124	—	6124	—	6124	—	Gasket, Liquid (3 oz.)	1
299	901388	SS	901389	SS	901370	SS	901371	SS	Head, Complete, Block-Style	1
300	34151	NBR*	701786	NBR*	701793	NBR*	701793	NBR*	Kit, Seal (Incls: 97,104,106,112,113,123,127,155,156,158,159)	1
	33251	FPM*	33251	FPM*	701802	FPM*	701802	FPM*	Kit, Seal (Incls: 97,104,106,112,113,123,127,155,156,158,159)	1
	33141	EPDM*	33141	EPDM*	701803	EPDM*	701803	EPDM*	Kit, Seal (Incls: 97,104,106,112,113,123,127,155,156,158,159)	1
310	701798	FPM	701798	FPM	701798	FPM	701798	FPM	Kit, Valve, Preassembled (Incls: 162,163,164,166,167,168,170,172,173)	2
	701799	EPDM	701799	EPDM	701799	EPDM	701799	EPDM	Kit, Valve, Preassembled (Incls: 162,163,164,166,167,168,170,172,173)	2
—	819000	F	819000	F	819000	F	819000	F	Kit, Valve, Preassembled (Incls: 162,163,164,166,167,168,170,172,173)	2
370	—	—	990663	—	—	—	990663	—	Assembly, Crankcase, Cast Iron Conversion	1
390	711500	SS	711500	SS	711500	SS	711500	SS	Assembly, Flushing, 5 gal, 115V, 1.1 Amp, 1/2"NPT	1
391	711506	SS	711506	SS	711506	SS	711506	SS	C.A.T. (Inlet pressure stabilizer for RO and boosted inlet applications)	1
392	701818	SS	701818	SS	701818	SS	701818	SS	Adapter (2 per C.A.T.) (See Data Sheet for complete selection)	1
—	6100	—	6100	—	6100	—	6100	—	Elbow Assy used with Adapter Assy 711506	1
									Oil, Case (12-21 oz. Bottles) ISO-68 Hydraulic	1
									(Fill to specified crankcase capacity prior to start-up)	1

Bold print part numbers are unique to a particular pump model. Italics are optional items. [] Date of latest production change.

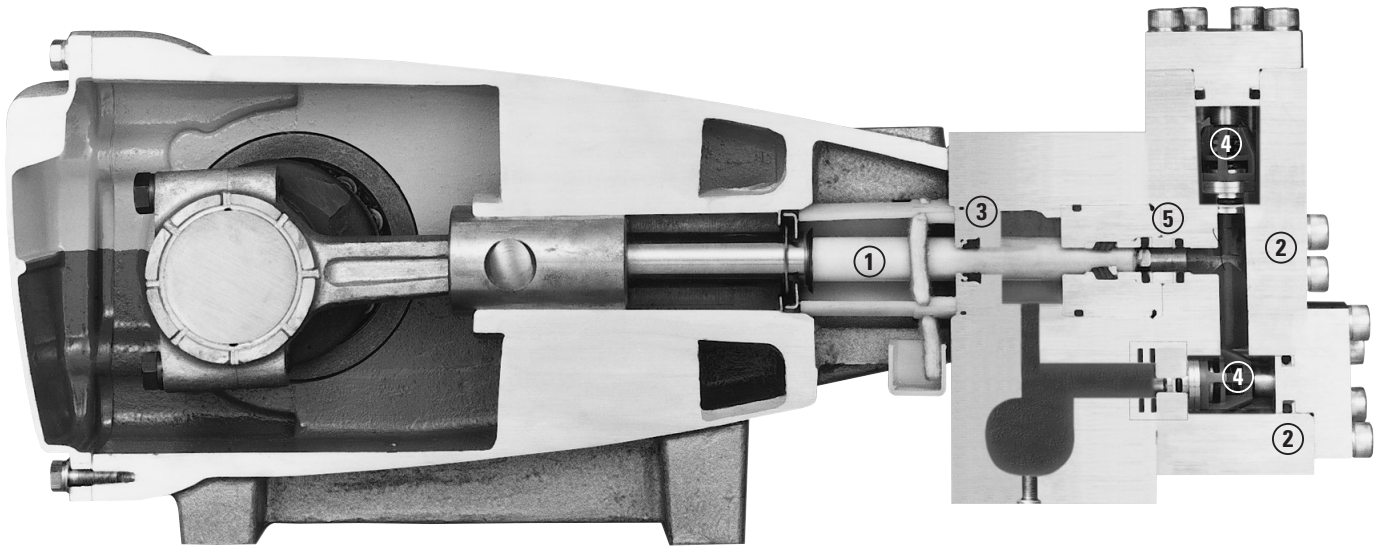
◆ Silicone oil/grease required. R Components comply with RoHS Directive. * Review individual parts in each kit for material identification.

See Tech Bulletins 002, 003, 024, 035, 036, 041, 043, 053, 074, 077, 083, 095 and 105 for additional information.

MATERIAL CODES (Not Part of Part Number): ABS=ABS Plastic AL=Aluminum CC=Ceramic CM=Chrome-Moly EPDM=Ethylene Propylene Diene Monomer F=Cast Iron FBR=Fiber FCM=Forged Chrome-moly FPM=Fluorocarbon NBR=Medium Nitrile (Buna-N) NBR5=Buna, Silicone Free NY=Nylon PE=Polyethylene POP=Polypropylene PTFE=Pure Polytetrafluoroethylene PVDF=Polyvinylidene Fluoride S=304SS SFTA=Special Blend PTFE Tan SFTB=Special Blend PTFE Black SS=316SS SSL=316SS/Low Carbon SSZZ=316SS/Zamak STCP=Steel/Chrome Plated STG=Special Blend PTFE White STL=Steel STZP=Steel/Zinc Plated TNM=Special High Strength ZP=Zinc Plated



Models 3801, 3801K, 3811, 3811K



- 1 Special concentric, high-density, polished, solid ceramic **plungers** provide a true wear surface and extended seal life.
- 2 **Manifolds** are 316 SS block-style for long-term continuous-duty and corrosion resistance.
- 3 **Standard Models:** Lo Pressure Seals and V-Packings are completely lubricated and cooled by the liquid being pumped.
- 4 Stainless steel **valves, seats and springs** provide corrosion-resistance, ultimate seating and extended life.
- 5 Specially formulated, Cat Pump exclusive, **V-Packings** offer unmatched performance and seal life.
- 6 Special **Flushed Inlet Manifold** permits external flush for added cooling with high temperature liquids and lubrication with low lubricity liquids.



CAT PUMPS
1681 - 94TH LANE N.E. MINNEAPOLIS, MN 55449-4324
PHONE (763) 780-5440 — FAX (763) 780-2958
e-mail: techsupport@catpumps.com
www.catpumps.com