

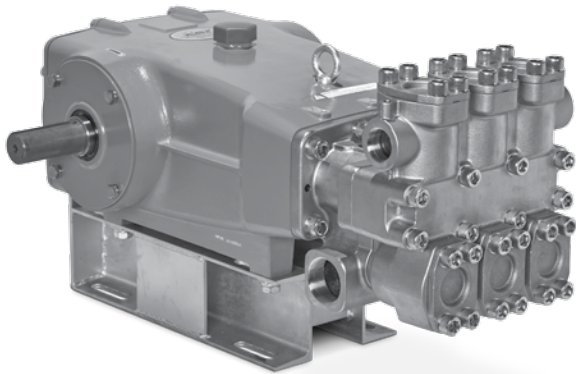
DATA SHEET

60 FRAME PLUNGER PUMPS



**Nickel Aluminum
Bronze Model:**

67070



Model 67070 Shown
(Mounting rails included)

SPECIFICATIONS	U.S.	Metric
Flow**	65 gpm	246 lpm
Pressure Range**	100 to 2000 psi	6.9 to 138 bar
Pump RPM*	850 rpm	850 rpm
Inlet Pressure Range	Flooded to 60 psi	Flooded to 4.1 bar
Max. Liquid Temperature	140° F	60° C
Above 130°F call Cat Pumps for inlet conditions and elastomer recommendations.		
Bore	1.772"	45 mm
Stroke	2.579"	65.5 mm
Crankcase Capacity	10 qts	9.46 l
Inlet Ports (2)	2" NPT(F)	2" NPT(F)
Discharge Ports (2)	1-1/4" NPT(F)	1-1/4" NPT(F)
Shaft Diameter	1.772"	45 mm
Pulley Mounting	Either side	Either side
Weight	339 lbs	154 kg
Dimensions	30.51 x 24.37 x 12.36"	775 x 619 x 314 mm

ALTERNATE SPECIFICATIONS

Flow	50 gpm	189 lpm
Pressure Range	100 to 2000 psi	6.9 to 138 bar
Pump RPM*	653 rpm	653 rpm

*Pump minimum is 100 RPM.

** Intermittent Duty Only. Defined as: Operating pump at stated flow and pressure for no more than 50% of time in any given hour.

FEATURES

- Triplex plunger design delivers high efficiency and low pulsation.
- Special high-density, polished, concentric plungers provide a true wear surface and extended seal life.
- V-Packings and low pressure seals are completely lubricated and cooled, greatly increasing service life.
- Low unswept volume maximizes volumetric efficiency, reducing energy costs and providing consistent flow.

ELECTRIC HORSEPOWER REQUIREMENTS

FLOW		PRESSURE			RPM
		psi 1000 bar 69	psi 1500 bar 103	psi 2000 bar 138	
gpm	lpm				
65	246	44.5	66.8	89.0	850
50	189	34.2	51.4	68.5	653
45	170	30.8	46.2	61.6	588

$$\text{DETERMINING THE PUMP R.P.M.} \quad \frac{\text{Rated gpm}}{\text{Rated rpm}} = \frac{\text{"Desired" gpm}}{\text{"Desired" rpm}}$$

$$\text{DETERMINING THE REQUIRED H.P.} \quad \frac{\text{Hp (Electric Brake)}}{1460} = \frac{\text{gpm x psi}}{1460}$$

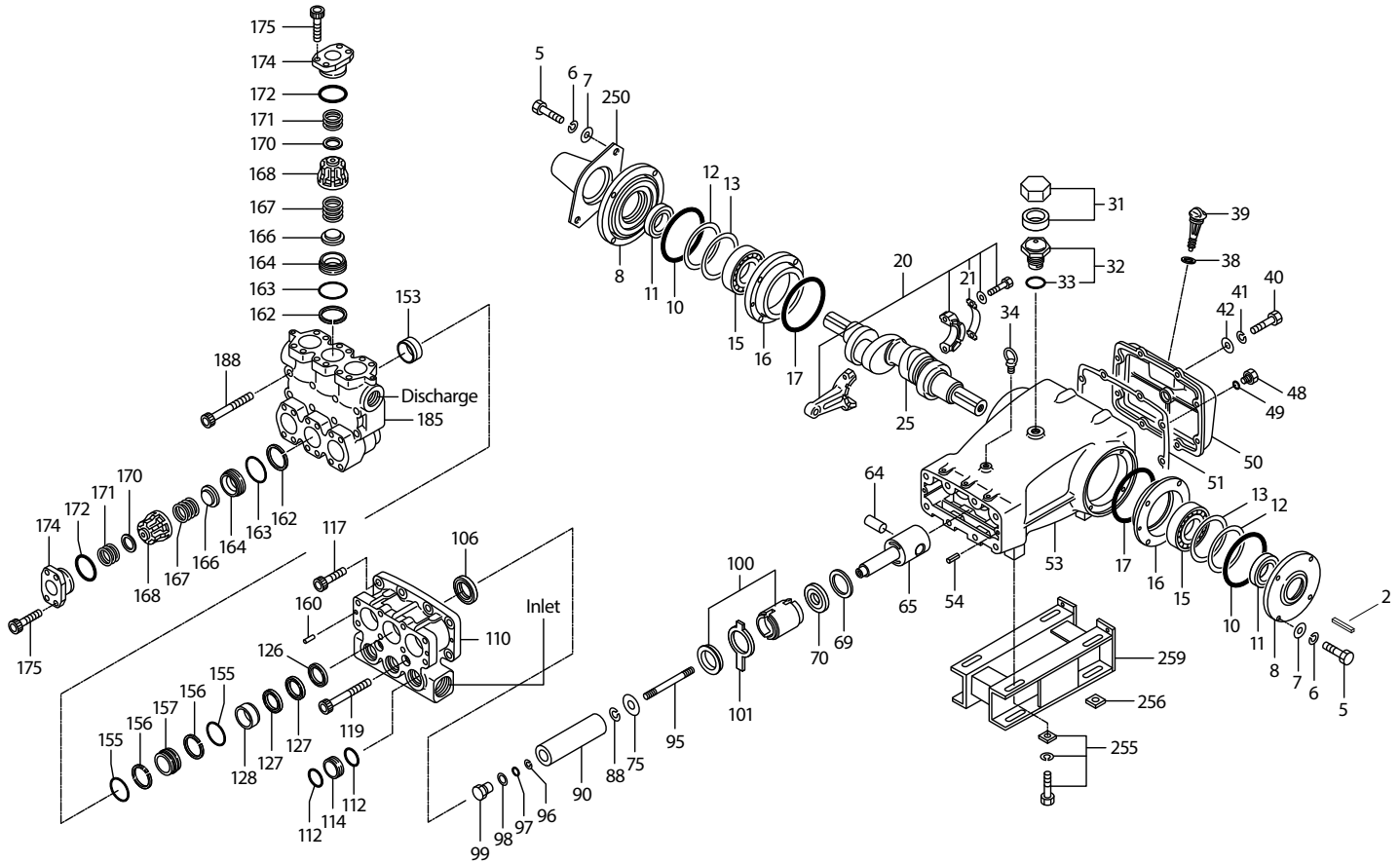
$$\text{DETERMINING MOTOR PULLEY SIZE} \quad \frac{\text{Motor Pulley O.D.}}{\text{Pump rpm}} = \frac{\text{Pump Pulley O.D.}}{\text{Motor rpm}}$$

See complete Drive Packages [Includes: pulleys, belts, hubs, key] Tech Bulletin 003.
Refer to pump **Service Manual** for repair procedure and additional technical information.

PARTS LIST

ITEM	PART NUMBER	MATL	DESCRIPTION	QTY
2	43048	STL	Key (M14 x 9 x 90)	1
5	89728	S	Screw, HH (M10 x 40)	8
6	15847	S	Lockwasher (M10)	8
7	19934	S	Washer, Flat (M10)	8
8	29443	AL	Covering, Bearing - Outer	2
10	29444	NBR	O-Ring, Bearing Cover - 70D	2
11	11443	NBR	Seal, Oil, Crankshaft	2
12	126595	STCP R	Shim, Washer (M120 x .5)	2
13	126594	STCP R	Shim, Washer (M120 x .3)	2
15	29441	STL	Bearing, Roller	2
16	134662	STL	Covering, Bearing - Inner	2
17	29444	NBR	O-Ring, Bearing Cover - 70D	2
20	126612	BBHS	Assembly, Connecting Rod (Incls: 21)	3
21	126560	STCP R	Washer, Locking	3
25	29440	FCM	Crankshaft, Dual End (M65.5)	1
31	828710	PE	Protector, Oil Cap w/Polyurethane Gasket	1
32	43211	ABS	Cap, Oil Filler	1
33	14177	NBR	O-Ring, Oil Filler Cap - 70D	1
34	126743	STCP R	Bolt, Eye (M12 x 1.75) (For Lifting Pump Only)	1
38	129343	NBR	Gasket, Flat, Oil Gauge	1
39	27769	ABS	Stick, Dip	1
40	89627	S	Screw, HH (M10 x 30)	8
41	15847	S	Lockwasher (M10)	8
42	19934	S	Washer, Flat (M10)	8
48	25625	STCP	Plug, Drain (1/4" x 19BSP)	1
49	23170	NBR	O-Ring, Drain Plug - 70D	1
50	29438	AL	Cover, Rear	1
51	129386	NBR	O-Ring, Rear Cover	1
53	134658	AL	Crankcase Assy (Incls: 34, 54)	1
54	43282	S	Pin, Guide	2
64	29481	CM	Pin, Crosshead	3
65	133712	BBSS	Rod, Plunger	3
69	126588	STCP R	Washer, Oil Seal	3
70	133716	NBR	Seal, Oil, Crankcase	3
75	134488	SS	Slinger, Barrier	3
88	133719	SS	Washer, Keyhole	3
90	134489	CC	Plunger (M45 x 158)	3
95	134487	S	Stud, Plunger Retainer (M14 x 133)	3
96	20214	PTFE	Back-up-Ring, Plunger Retainer	3
97	17616	NBR	O-Ring, Plunger Retainer - 80D	3
98	44751	SS	Gasket, Plunger Retainer	3
99	44750	SS	Retainer, Plunger (M14)	3
100	855041	PVDF	Retainer, Seal, 2 -Piece	3
101	45638	—	Wick (long tab)	3
106	134492	NBR	Seal, LPS, w/SS-Spg	3
110	133482	NAB	Manifold, Inlet	1
112	12391	NBR	O-Ring, Inlet Spacer - 70D	6
114	134498	BB	Spacer, Inlet	3
117	121511	S	Screw, HSH (M16 x 50)	6
119	89959	S	Screw, HSH (M16 x 120)	2
126	134494	PTFE	Adapter, Female	3
127	134495	SNG	V-Packing	6
128	134496	D	Adapter, Male	3
153	134506	D	Adapter, Insert	3
155	15856	NBR	O-Ring, V-Packing Spacer - 70D	6
156	23115	PTFE	Back-up-Ring, V-Packing Spacer	6
157	134497	BB	Spacer, V-Packing	3
160	44756	S	Pin, Guide	2
162	23115	PTFE	Back-up-Ring, Seat	6
163	15856	NBR	O-Ring, Seat - 70D	6
164	134501	S	Seat	6
166	134503	S	Valve	6
167	134502	S	Spring	6
168	134504	PVDF	Retainer, Spring	6
170	44776	SS	Washer, Spring	6
171	134505	S	Spring, Coil	6
172	128857	NBR	O-Ring, Valve Plug - 90D	6
174	133486	NAB	Plug, Valve	6
175	133744	S	Screw, HSH (M16 x 30) - Valve Plug	24

EXPLODED VIEW



Models
Nickel Aluminum Bronze 67070
October 2017

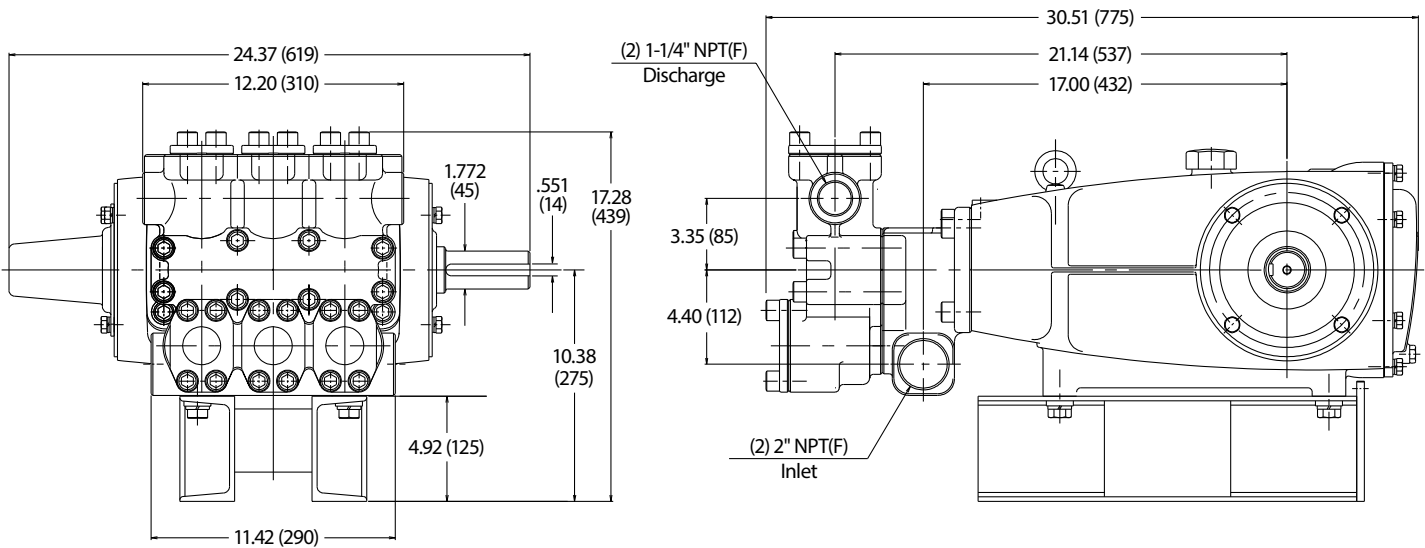
ITEM	PART NUMBER	MATL	DESCRIPTION	QTY
185	133484	NAB	Manifold, Discharge	1
188	89694	S	Screw, HSH (M16 x 110)	8
250	29445	AL	Protector, Shaft (included with pump)	1
255	33243	STZP	Mount, Bolt Assy (included with pump)	1
256	29649	STCP	Washer, Slant (M16) Use for adjustment between rail and mounting base	4
259	126787	STZP	Mount, Rail Assembly (included with pump)	1
290	6124	—	Gasket, Liquid (3 oz.)	1
299	—	NAB	Head, Complete w/NBR Seals and O-Rings	1
300	76452	NBR*	Kit, Seal (Incls: 97,106,112,127,153,155,156)	1
310	76454	NBR	Kit, Valve Preassembled (Incls:162,163,164,166,167,168,170,172)	2
	6100	—	Oil, Case (12-21 oz. Bottles) ISO-68 Hydraulic (Fill to specified crankcase capacity prior to start-up)	1

Italics are optional items.

R Components comply with RoHS Directive. *Review material codes for individual items (SNG generally may be used as alternate).

See Tech Bulletins 003, 024, 036, 043, 053, 074 and 083 for additional information.

MATERIAL CODES (Not Part of Part Number): ABS=ABS Plastic AL=Aluminum BB=Brass BBHS=Brass/High Strength BBSS=Brass/Stainless Steel CC=Ceramic CM=Chrome-Moly D=Acetal FCM=Forged Chrome-moly NAB=Nickel Aluminum Bronze NBR=Medium Nitrile (Buna-N) PE=Polyethylene PTFE=Pure Polytetrafluoroethylene PVDF=Polyvinylidene Fluoride S=304SS SS=316SS SNG=Special Blend Buna STCP=Steel/Chrome Plated STL=Steel STZP=Steel/Zinc Plated



⚠ CAUTIONS AND WARNINGS

All High Pressure Systems require a primary pressure regulating device (i.e. regulator, unloader) and a secondary pressure relief device (i.e. pop-off valve, relief valve). Failure to install such relief devices could result in personal injury or damage to pump or property. Cat Pumps does not assume any liability or responsibility for the operation of a customer's high pressure system.

Read all CAUTIONS and WARNINGS before commencing service or operation of any high pressure system. The CAUTIONS and WARNINGS are included in each service manual and with each Accessory Data sheet. CAUTIONS and WARNINGS can also be viewed online at www.catpumps.com/cautions-warnings or can be requested directly from Cat Pumps.

WARRANTY

View the Limited Warranty on-line at www.catpumps.com/warranty.



CAT PUMPS

1681 - 94TH LANE N.E. MINNEAPOLIS, MN 55449-4324
 PHONE (763) 780-5440 — FAX (763) 780-2958
 e-mail: techsupport@catpumps.com
www.catpumps.com