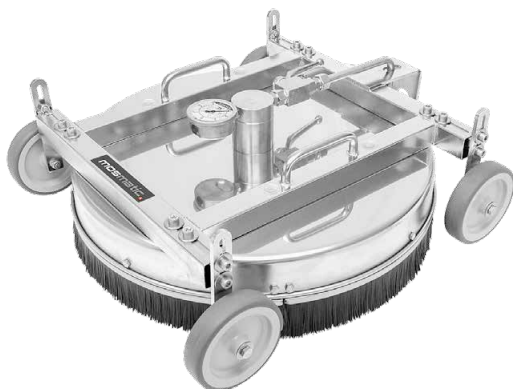


- ✓ Height and width adjustable
- ✓ Quad bearing swivel
- ✓ For professional roof cleaners



TECHNICAL DATA

Pressure 275 / 500 bar
Temperature 120°C
Inlet M22x1.5-M
 G1/4" F



DR-520

Height adjusters long

Add an additional 60 mm height if needed, e.g. for corrugated roofs.

Part No. 904.351 (1 pcs)
 Requires 4 pieces



Pedal switch

For additional safety, Mosmatic recommends you turn your flow on and off using the optional pedal switch.

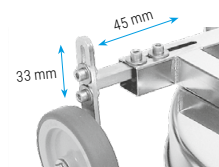


Part No. 80.987

FEATURES

Height and width adjustable

The DR-520. Width is adjustable up to 90mm and 33mm in height. Will work for most roof designs adding safety and stability.



Safety Eye

Allows you to easily secure the roof cleaner with a safety rope or cable.



Pressure Gauge

Use the pressure gauge to monitor your cleaning pressure. This allows you to ensure proper pressure when cleaning a variety of roofing materials.



Ball Valve

Makes it easy and convenient to turn off the flow to the unit.



Rotor Arms

Can withstand up to 275 bar or 500 bar, are precision welded and balanced.



2cw2 (2 Arms / 2 Nozzles / 275 bar)

Part No. 82.942 1/8" (ø470mm)
 Part No. 82.975 1/4" (ø470mm)

2cw2 (2 Arms / 2 Nozzles / 500 bar)

Part No. 82.941 1/4" (ø470mm)

Swiss Engineering

High rpm stainless steel swivel features 4x reinforced self lubricated stainless steel ball bearings for improved performance. The dual spring based carbide seal system, guarantees long lasting operation under tough conditions.



DYU Swivel (500 bar)

Part No. 59.916

DYT Swivel (350 bar)

Part No. 59.907

Name	Part No.	ø	Width	Height	Weight	Rotor Arm	HP-Nozzles
DR-520	80.651	520	550-640	195-228	14.5kg	2x 1/8" NPTF	---
DR-520*	80.662	520	550-640	195-228	14.5kg	2x 1/8" NPTF	---

* Pressure: 500 Bar / Inlet G1/4" F