


# Accessories - Brackets

Gross price list, for ST and STG, mounting possibilities see page 3

| Type                                                             | Suitable for hose reel  | Material  | Item number  |  |  |
|---------------------------------------------------------------------------------------------------------------------------------------------------|----------------------------------------------------------------------------------------------------------|--------------------------------------------------------------------------------------------|-------------------------------------------------------------------------------------------------|--|--|
| <b>Hose reel parallel to wall - Angle bracket for fixed wall mounting - Type KHDp (see example picture 1, page 3)</b>                             |                                                                                                          |                                                                                            |                                                                                                 |  |  |
| KHDp 14/20e                                                                                                                                       | ST14/10, ST14/12, ST20/10, ST20/12, ST20/19                                                              | Stainless steel                                                                            | V1070000201                                                                                     |  |  |
| KHDp 30/40/1e                                                                                                                                     | ST30/10, ST30/12, ST40/10/2, ST40/12/2, ST40/19/1                                                        | Stainless steel                                                                            | V107000030                                                                                      |  |  |
| KHDp 40/2e                                                                                                                                        | ST40/19/2, ST60/10/3                                                                                     | Stainless steel                                                                            | V1070003001                                                                                     |  |  |
| <b>Hose reel right-angled to wall - Angle bracket for fixed wall mounting - Type KHDr (see example picture 2+3, page 3)</b>                       |                                                                                                          |                                                                                            |                                                                                                 |  |  |
| KHDr 14/20e                                                                                                                                       | ST14/10, ST14/12, ST20/10, ST20/12, ST20/19                                                              | Stainless steel                                                                            | V1070000202                                                                                     |  |  |
| KHDr 30/40/1e                                                                                                                                     | ST30/10, ST30/12, ST40/10/2, ST40/12/2, ST40/19/1                                                        | Stainless steel                                                                            | V1070000203                                                                                     |  |  |
| KHDr 40/2e                                                                                                                                        | ST40/19/2, ST60/10/3                                                                                     | Stainless steel                                                                            | V107000002                                                                                      |  |  |
| <b>Hose reel stabilisation - Bracket for fixed wall and ceiling mounting - Type KWH (see example picture 4-6, page 3)</b>                         |                                                                                                          |                                                                                            |                                                                                                 |  |  |
| KWH 14/20e                                                                                                                                        | ST14/10, ST14/12, ST20/10, ST20/12, ST20/19                                                              | Stainless steel                                                                            | V107000055                                                                                      |  |  |
| KWH 30e                                                                                                                                           | ST30/10, ST30/12                                                                                         | Stainless steel                                                                            | V107000056                                                                                      |  |  |
| KWH 40/1e                                                                                                                                         | ST40/10/2, ST40/12/2, ST40/19/1                                                                          | Stainless steel                                                                            | V107000056-1                                                                                    |  |  |
| KWH 40/2e                                                                                                                                         | ST40/19/2, ST60/10/3                                                                                     | Stainless steel                                                                            | V107000057                                                                                      |  |  |
| <b>Back plate for brackets type KWH, necessary for installation on panel walls - Type KWHG (see example picture 11, page 3)</b>                   |                                                                                                          |                                                                                            |                                                                                                 |  |  |
| KWHG 14/20e                                                                                                                                       | ST14/10, ST14/12, ST20/10, ST20/12, ST20/19                                                              | Stainless steel                                                                            | V1070000551                                                                                     |  |  |
| KWHG 30/40/1e                                                                                                                                     | ST30/10, ST30/12, ST40/10/2, ST40/12/2, ST40/19/1                                                        | Stainless steel                                                                            | V1070000561                                                                                     |  |  |
| KWH 40/1e                                                                                                                                         | ST40/19/2, ST60/10/3                                                                                     | Stainless steel                                                                            | V1070000571                                                                                     |  |  |
| <b>Hose reel pivoted - Wall swivel bracket - Type SKW (see example picture 7-9, page 3)</b>                                                       |                                                                                                          |                                                                                            |                                                                                                 |  |  |
| SKW 14/20v                                                                                                                                        | ST14/10, ST14/12, ST20/10, ST20/12, ST20/19                                                              | Galvanized steel                                                                           | V107000003                                                                                      |  |  |
| SKW 14/20e                                                                                                                                        | ST14/10e, ST14/12e, ST20/10e, ST20/12e, ST20/19e                                                         | Stainless steel                                                                            | V1070000301                                                                                     |  |  |
| SKW 30/40/1v                                                                                                                                      | ST30/10, ST30/12, ST40/10/2, ST40/12/2, ST40/19/1                                                        | Galvanized steel                                                                           | V107000044                                                                                      |  |  |
| SKW 30/40/1e                                                                                                                                      | ST30/10e, ST30/12e, ST40/10/2e, ST40/12/2e, ST40/19/1e                                                   | Stainless steel                                                                            | V107000027                                                                                      |  |  |
| SKW 40/2v                                                                                                                                         | ST40/19/2, STG28/24                                                                                      | Galvanized steel                                                                           | V107000058                                                                                      |  |  |
| SKW 40/2e                                                                                                                                         | ST40/19/2e, ST60/10/3e, STG28/24e                                                                        | Stainless steel                                                                            | V107000059                                                                                      |  |  |
| <b>Counter back plate for brackets type SKW, necessary for installation on panel walls - Type SKWGe (see example picture 11, page 3)</b>          |                                                                                                          |                                                                                            |                                                                                                 |  |  |
| SKWGe                                                                                                                                             | For all brackets type SKW                                                                                | Stainless steel                                                                            | V1070000271                                                                                     |  |  |
| <b>Counter back plate for direct installation of type ST, necessary for installation on panel walls - Type STG (see example pict. 11, page 3)</b> |                                                                                                          |                                                                                            |                                                                                                 |  |  |
| STG 14/20e                                                                                                                                        | ST14/10, ST14/12, ST20/10, ST20/12, ST20/19                                                              | Stainless steel                                                                            | V107100141                                                                                      |  |  |
| STG 30/40/1e                                                                                                                                      | ST30/10, ST30/12, ST40/10/2, ST40/12/2, ST40/19/1                                                        | Stainless steel                                                                            | V107100142                                                                                      |  |  |
| STG 40/1e                                                                                                                                         | ST40/19/2, ST60/10/3                                                                                     | Stainless steel                                                                            | V107100143                                                                                      |  |  |
| <b>Screw set</b>                                                                                                                                  |                                                                                                          |                                                                                            |                                                                                                 |  |  |
| Hose reel to bracket and bracket to wall (screws, dowels, washers and nuts)                                                                       |                                                                                                          | Stainless steel                                                                            | V107000041                                                                                      |  |  |
| hose reel to wall (wood screws, dowels and washers)                                                                                               |                                                                                                          | Stainless steel                                                                            | V10700004101                                                                                    |  |  |
| hose reel to bracket (hexagon screws, washers and nuts)                                                                                           |                                                                                                          | Stainless steel                                                                            | V10700004102                                                                                    |  |  |



Wall swivel bracket SKW



Wall and ceiling bracket KWH



Angled bracket KHD p+r

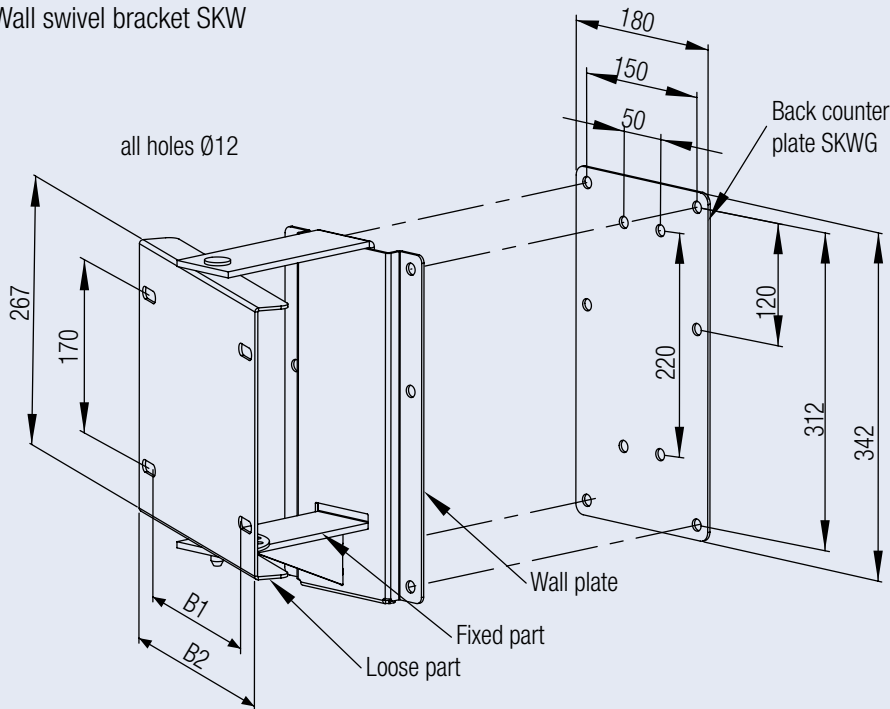


Screw set

## Dimensions

### Mounting brackets for hose reels

#### Wall swivel bracket SKW



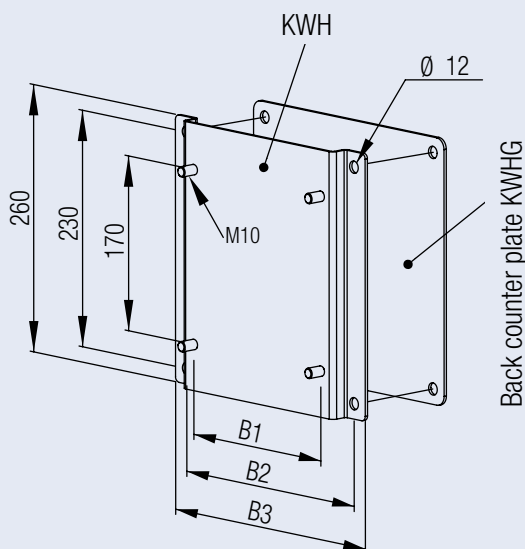
Back counter plates are used for light weight construction walls e.g. panel walls

The counter plate suits for all SKW types. For SKW14/20 only use the holes 50 x 220mm.

The fixed part of SKW14/20 consists of a U-part only, without wall plate.

| Type       | B1 [mm] | B2 [mm] | T [mm] | Weight SKW [kg] | Weight back plate [kg] |
|------------|---------|---------|--------|-----------------|------------------------|
| SKW 14/20  | 135-180 | 210     | 134    | 3,7 kg          | 1,3 kg                 |
| SKW30/40/1 | 224-286 | 316     | 168    | 6,6 kg          | 2,5 kg                 |
| SKW40/2    | 340-397 | 420     | 238    | 8,0 kg          | 2,6 kg                 |

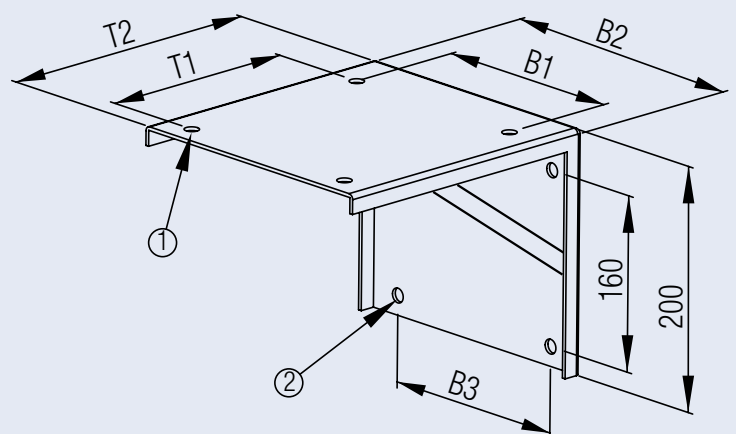
#### Wall and ceiling bracket KWH



| Type       | B1 [mm] | B2 [mm] | B3 [mm] | Weight  |
|------------|---------|---------|---------|---------|
| KWH14/20   | 176     | 232     | 263     | 1,8 kg* |
| KWH30/40/1 | 226-276 | 338     | 369     | 2,5 kg* |
| KWH40/2    | 376     | 438     | 469     | 3,2 kg* |

\* Weight without back plate

#### Angled bracket KHDp+r



| Type        | B1 [mm] | B2 [mm] | B3 [mm] | T1 [mm] | T2 [mm] | Weight  |
|-------------|---------|---------|---------|---------|---------|---------|
| KHDp14/20   | 170     | 145-185 | 161     | 165     | 222     | 2,7 kg* |
| KHDp30/40/1 | 170     | 221-231 | 161     | 282     | 328     | 3,4 kg* |
| KHDp40/2    | 170     | 372-382 | 161     | 382     | 428     | 3,4 kg* |
| KHDr14/20   | 176     | 170     | 176     | 170     | 390     | 4,4 kg* |
| KHDr30/40/1 | 226-276 | 170     | 282     | 170     | 390     | 5,3 kg* |
| KHDr40/2    | 370-386 | 170     | 382     | 170     | 390     | 6,8 kg* |