

# Hose trolley type SW1 + SW2



Easy to handle and approved for the capacity of hose reel STKi2 20 and STKi2 40 as well as for usage of an adapter plate of hose reel STKi2 50 and STKi20 60.

## Available materials:

- SW1 - Stainless steel AISI 304, especially in hygienic areas, abattoirs, meat factories, dairies, breweries, fast food industry
- SW2 - Stainless steel, AISI 316, in special aggressive areas: saltwater areas (ports, ships, drilling rigs etc.) In chlorinated areas, swimming pools, drinking water treatment plants, chemical industry.

## Scope of delivery:

In addition to the hose trolley you can order the appropriate hose reel, see table on page 27, as well as a tray. Basically it is including the reinforcing brace at the bottom.

## Characteristics:

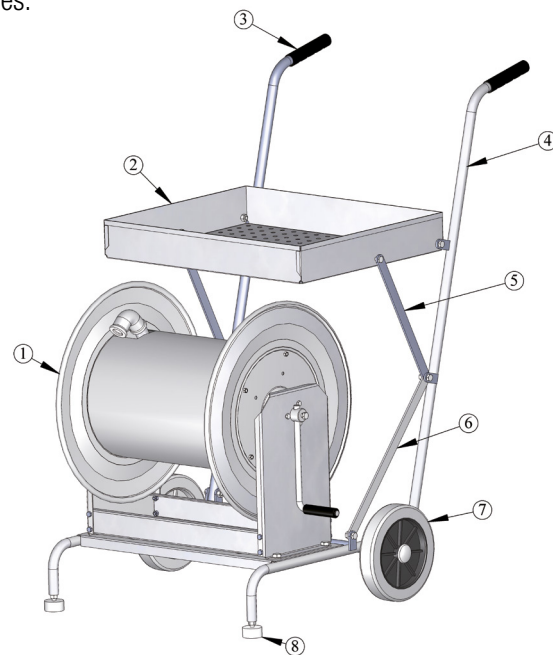
- Reliable steel pipe frame, folding rails guarantee easy transportation
- Solid rubber wheels with grey, abrasion-proof tyres, which do not leave any black marks.
- The same applies for the front rubber buffer.
- The hose trolley can be equipped with an optionally tray to hold accessories. The bottom of the tray is perforated, wet equipment can drip off easily.



## Sectional view

Hose reel STKi2Mo

P.	Description
1	Hose reel STKi2 20 + 40
2	Tray ( optionally )
3	Handle
4	Folding rail
5	Brace 1
6	Brace 2
7	Solid rubber wheels
8	Solid front rubber buffer



## ATEX version:

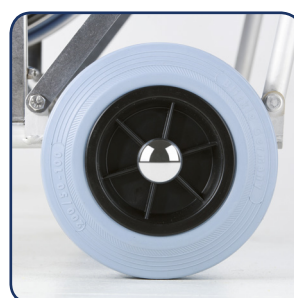
On request we can supply you electrically conductive wheels thus the appropriate hose reel. Please contact us for further information or an offer. (e.g. E10770020-1).



Angled swivel WDT10/Al



Deposit tray optional



Full-rubber wheels



Standard with STKi2 40/12

## Technical data

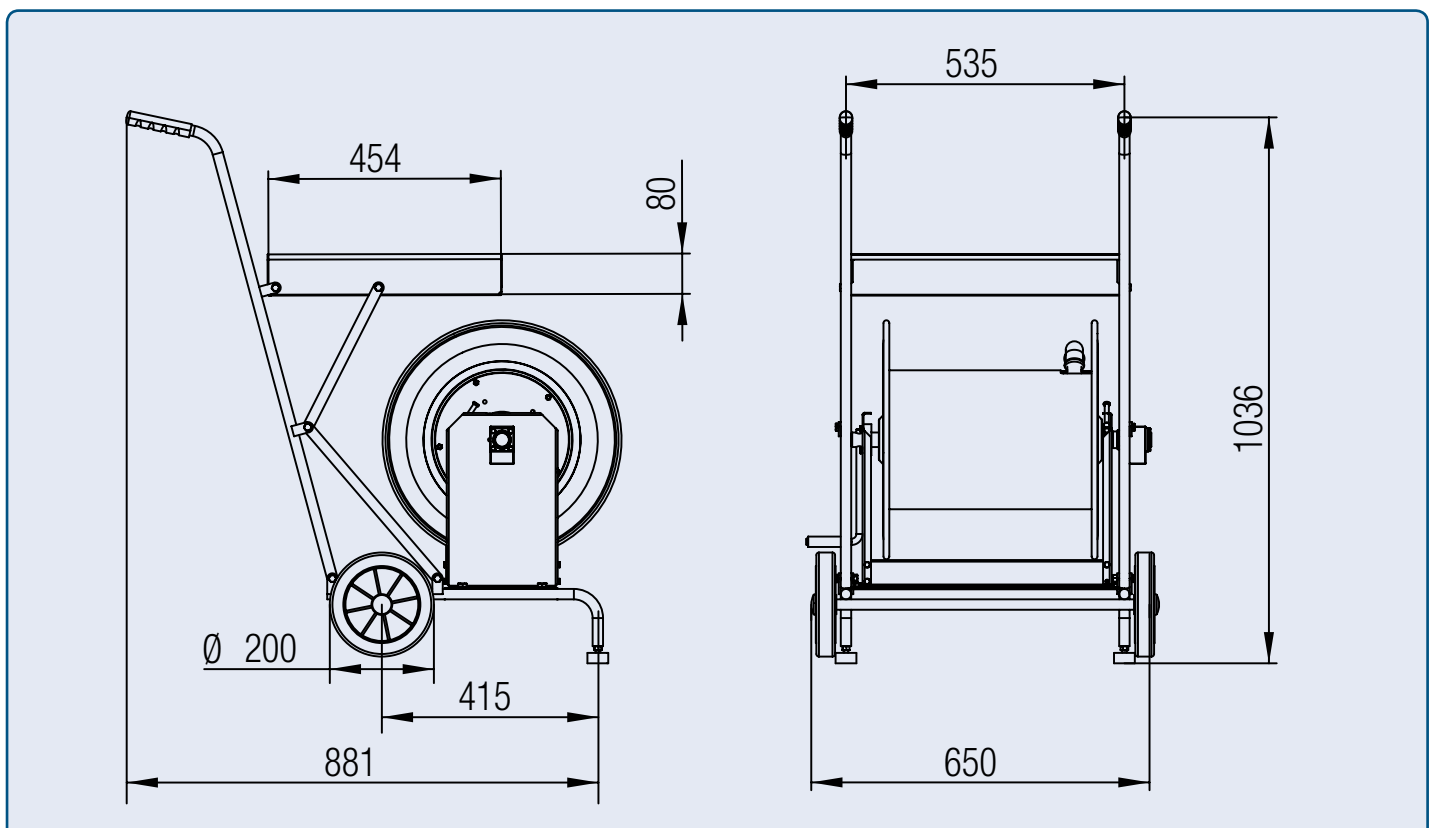
Suitable hose reel STKi2

Type	Item number	Rewindable hose length in meter depending of the hose outside diameter-Ø [ mm ]				Nominal diameter/ thread* F		Max. press.	Weight	Dimensions in mm				Surface	Material of the angled swivel*
		Ø17	Ø22	Ø28	Ø35	mm	Inch			bar	kg	A	B		
<b>1/2" (DN12)</b>															
STKi2 20/12-304	V10720010	60	35			12	1/2"	200	10,5	280	312	200	385	Stainless steel 304	Alu/304
STKi2 20/12-316	V10720010-1	60	35			12	1/2"	200	10,5	280	312	200	385	Stainless steel 316	316
STKi2 40/12-304	V10720012	125	70			12	1/2"	200	13,5	480	512	400	585	Stainless steel 304	Alu/304
STKi2 40/12-316	V10720012-1	125	70			12	1/2"	200	13,5	480	512	400	585	Stainless steel 316	316
<b>3/4" (DN19)</b>															
STKi2 20/19-304	V1072011			20		19	3/4"	200	11,7	280	312	200	414	Stainless steel 304	Brass/304
STKi2 20/19-316	V1072011-1			20		19	3/4"	200	11,7	280	312	200	414	Stainless steel 316	316
STKi2 40/19-304	V10720013			40		19	3/4"	200	14,7	480	512	400	614	Stainless steel 304	Brass/304
STKi2 40/19-316	V10720013-1			40		19	3/4"	200	14,7	480	512	400	614	Stainless steel 316	316
<b>1" (DN25)</b>															
STKi2 20/24-304	V10720016				15	24	1"	100	12,0	280	312	200	414	Stainless steel 304	Brass/304
STKi2 20/24-316	V10720016-1				15	24	1"	100	12,0	280	312	200	414	Stainless steel 316	316
STKi2 40/24-304	V10720017				33	24	1"	100	15,0	480	512	400	614	Stainless steel 304	Brass/304
STKi2 40/24-316	V10720017-1				33	24	1"	100	15,0	480	512	400	614	Stainless steel 316	316

\* You will find the connection threads of the angled swivels on page 44.




## Dimensions

Hose trolley SW1





## Gross price list, hose trolley SW

Following equipment: without hose reel, including reinforcing braces

Description type 	Item number 	Weight [kg] 			
<b>Material 304 (AISI 304)</b>					
Hose trolley SW1	V10770001	13,0			
Adapter plate AW1	V10770002	3,0			
<b>Material 316 (AISI 316)</b>					
Hose trolley SW2	V10770001-1	13,0			
Adapter plate AW2	V10770002-1	3,0			



## Gross price list, manual hose reel STKi2

With following equipment: 1/2" angled swivel made of aluminium, 3/4" and 1" made of brass, U-sit ring, WITHOUT hose (available on request), angled swivel from AISI 316 if hose reel is also 316

Hose reel type 	Item number 				
<b>1/2" (DN12)</b>					
STKi2 20/12-304	V10720010				
STKi2 20/12-316	V10720010-1				
STKi2 40/12-304	V10720012				
STKi2 40/12-316	V10720012-1				
<b>3/4" (DN19)</b>					
STKi2 20/19-304	V10720011				
STKi2 20/19-316	V10720011-1				
STKi2 40/19-304	V10720013				
STKi2 40/19-316	V10720013-1				
<b>1" (DN25)</b>					
STKi2 20/24-304	V10720016				
STKi2 20/24-316	V10720016-1				
STKi2 40/24-304	V10720017				
STKi2 40/24-316	V10720017-1				
Additional hose reels with adapter plates are possible. See next table.					

## Surcharges for special versions or accessories

The following surcharges have to be added to the table above.

Description 	Item number 	
Adapter plate SW1 - STKi2 50, stainless steel AISI 304, 2 x 612 x 215 mm	B10770008	
Adapter plate SW1 - STKi2 60, stainless steel AISI 304, 2 x 712 x 215 mm	B10770007	
Surcharge for 300bar version (only for 1/2" STKi2) with 1/2" WDH12/304 + Pipe elbow	MP1070003506	
Surcharge for high temperature seals 1-180°C as well as chemistry, 3/8" and 1/2"	M1071001201	
Surcharge for high temperature seals 1-180°C as well as chemistry, 3/4" and 1"	M10710012	
Surcharge for stainless steel angled swivel, 3/8" and 1/2" = DN10 and DN12	MP10700035011	
Surcharge for stainless steel angled swivel, 3/4" = DN19	MP10700035012	
Surcharge for stainless steel angled swivel, 1" = DN24	MP1070003606	