	EQUIPAGGIAMENTI TECNICI LAVAGGIO	UGELLO ROTANTE ROTATING NOZZLE UR50	①	4
			Ⓜ	



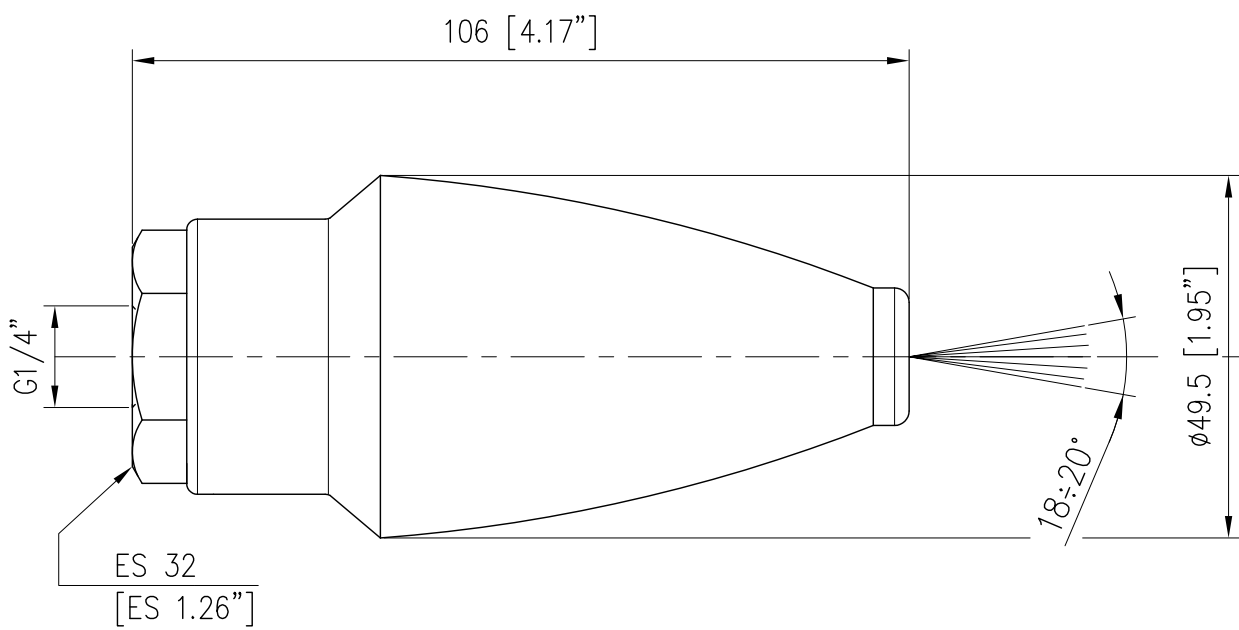
- ROBUSTA COSTRUZIONE IN ACCIAIO INOX.
STRONG STAINLESS STEEL STRUCTURE.
- SEDE E UGELLO IN CARBURO DI TUNGSTENO AD ALTISSIMA RESISTENZA.
HIGHLY SHOCK-RESISTANT TUNGSTEN CARBIDE SEAT AND NOZZLE.

SPECIFICHE TECNICHE
SPECIFICATIONS

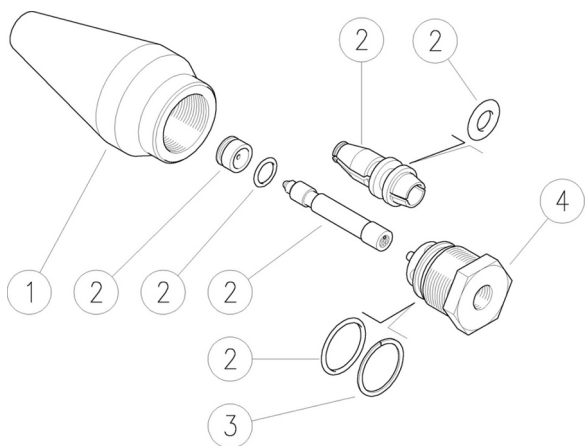
- PRESSIONE NOMINALE <i>RATED PRESSURE</i>	500 bar – 50 MPa (7000 psi)
- TEMPERATURA MASSIMA <i>MAX WORKING TEMPERATURE</i>	90° C (194 °F)
- PESO <i>WEIGHT</i>	655 gr. (23.1 oz.)

MISURE D'INGOMBRO
OVERALL DIMENSIONS

CODICE <i>CODE</i>	FATTORE DI PORTATA <i>CAPACITY SIZE</i>
25.1750.40	F.P. 04
25.1750.45	F.P. 045
25.1750.50	F.P. 05
25.1750.55	F.P. 055
25.1750.60	F.P. 06
25.1750.65	F.P. 065
25.1750.70	F.P. 07



- 25.1750.16 UR50-16 Ugello rot.50MPa
- 25.1750.30 UR50-030 Ugello rot.500bar
- 25.1750.40 UR50-04 Ug.rot.500bar, gial.sc.
- 25.1750.45 UR50-045 Ug.rot.500bar, blu
- 25.1750.50 UR50-05 Ug.rot.500bar, viol.ch.

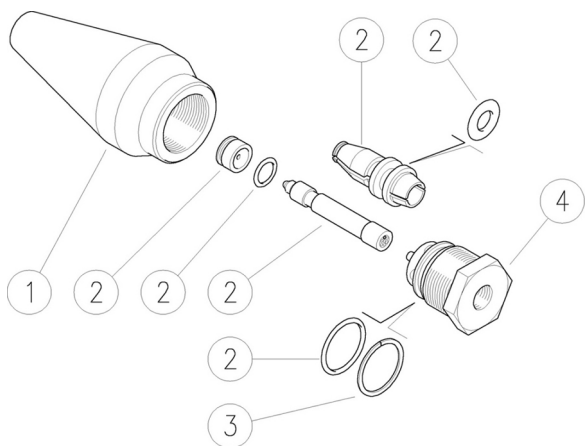


- 25.1750.55 UR50-055 Ug.rot.500bar, ros.sc.
- 25.1750.60 UR50-06 Ug.rot.500bar, ver.sc.
- 25.1750.65 UR50-065 Ug.rot.500bar, cel.
- 25.1750.70 UR50-07 Ug.rot.500bar, arancio

Pos.	Codice	Descrizione	Q.tà	K1	K2	K3	K4
1	25.1751.51	Corpo UR50 inox	1				1
2	25.1762.24	Kit ripar.UR50-03 pz.6x1 (1)	1				1
2	25.1763.24	Kit ric. UR50.04 (2)	1				1
2	25.1764.24	Kit ric. UR50.045 (3)	1				1
2	25.1765.24	Kit ric. UR50.05 (4)	1				1
2	25.1766.24	Kit ric. UR50.055 (5)	1				1
2	25.1767.24	Kit ric. UR50.06 (6)	1				1
2	25.1768.24	Kit ric. UR50.065 (7)	1				1
2	25.1769.24	Kit ric. UR50.07 (8)	1				1
2	25.1776.24	Kit ric. UR50.16 (9)	1				1
4	25.1917.51	Raccordo G1/4F inox-UR50-03+or (1)	1				1
4	25.1755.51	Raccordo G1/4F inox (2)	1				1
4	25.1910.51	Raccordo G1/4F inox (3)	1				1
4	25.1911.51	Raccor.G1/4F in. UR50-05+An.Or (4)	1				1
4	25.1912.51	Raccordo G1/4F inox (5)	1				1
4	25.1913.51	Raccordo G1/4F inox (6)	1				1
4	25.1914.51	Raccordo G1/4F inox (7)	1				1
4	25.1915.51	Raccordo G1/4F inox (8)	1				1

- (1) 25.1750.30 (2) 25.1750.40 (3) 25.1750.45 (4) 25.1750.50 (5) 25.1750.55
- (6) 25.1750.60 (7) 25.1750.65 (8) 25.1750.70 (9) 25.1750.16

25.1750.16 UR50-16 Rotat.nzl,50MPa,
 25.1750.30 UR50-03 Rotat.nzl,500bar
 25.1750.40 UR50-04 Rotat.nzl,500bar, d.yell.
 25.1750.45 UR50-045 Rotat.nzl,500bar, blue
 25.1750.50 UR50-05 Rotat.nzl,500bar, l.purple



25.1750.55 UR50-055 Rotat.nzl,500bar, d.red
 25.1750.60 UR50-06 Rotat.nzl,500bar, d.grn
 25.1750.65 UR50-065 Rotat.nzl,500bar, l.blue
 25.1750.70 UR50-07 Rotat.nzl,500bar, orange

Pos.	P/N	Description	Q.ty	K1	K2	K3	K4
1	25.1751.51	Housing -UR50, Sst.	1				1
2	25.1762.24	Spares kit -UR50.03 (1)	1				1
2	25.1763.24	Spares kit -UR50.04 (2)	1				1
2	25.1764.24	Spares kit -UR50.045 (3)	1				1
2	25.1765.24	Spares kit -UR50.05 (4)	1				1
2	25.1766.24	Spares kit -UR50.055 (5)	1				1
2	25.1767.24	Spares kit -UR50.06 (6)	1				1
2	25.1768.24	Spares kit -UR50.065 (7)	1				1
2	25.1769.24	Spares kit -UR50.07 (8)	1				1
2	25.1776.24	Spares kit -UR50.16 (9)	1				1
4	25.1917.51	Sst.coupling, 1/4 F Bsp-Ur50-03+o ring (1)	1				1
4	25.1755.51	Coupling, 1/4 F Bsp Sst. (2)	1				1
4	25.1910.51	Coupling, 1/4 F Bsp Sst. (3)	1				1
4	25.1911.51	Coupl.1/4 F Bsp Sst.UR50-05+O-ring (4)	1				1
4	25.1912.51	Coupling, 1/4 F Bsp Sst. (5)	1				1
4	25.1913.51	Coupling, 1/4 F Bsp Sst. (6)	1				1
4	25.1914.51	Coupling, 1/4 F Bsp Sst. (7)	1				1
4	25.1915.51	Coupling, 1/4 F Bsp Sst. (8)	1				1

(1) 25.1750.30 (2) 25.1750.40 (3) 25.1750.45 (4) 25.1750.50 (5) 25.1750.55
 (6) 25.1750.60 (7) 25.1750.65 (8) 25.1750.70 (9) 25.1750.16



P.A. S.p.A.
Via Milano, 13
42048 Rubiera, Reggio Emilia - Italy
Tel +39.0522.623611
Fax +39.0522.629600
info@pa-etl.it

www.pa-etl.it



COMPANY WITH QUALITY MANAGEMENT
SYSTEM CERTIFIED BY DNV
= ISO 9001 =