

MODEL 3535CM.CO₂

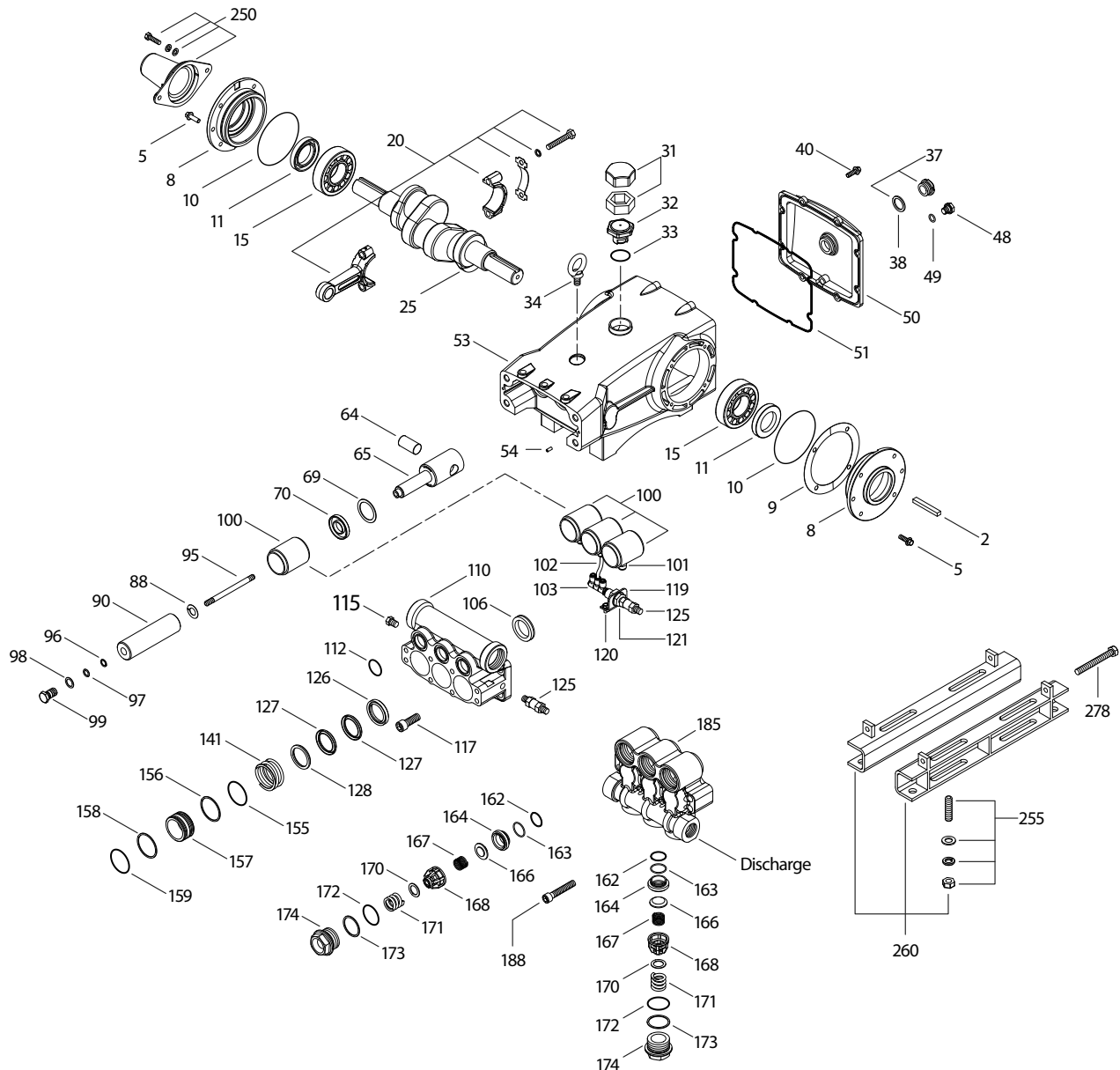


SPECIFICATIONS	U.S. Measure	Metric Measure
Flow	19.4 gpm	73.4 lpm
Pressure Range	400 to 1200 psi	27.5 to 83 bar
Pump RPM**	450	450
*Inlet Pressure Range	300 to 400 psi	21 to 27.5 bar
Crankcase Capacity	4.2 Qts.	4 l
Dimensions	24.4 x 18.11 x 9.37"	620 x 460 x 238 mm
Weight	167 lbs.	75 kg

* Temperature and pressure must be maintained to keep incoming CO₂ in a liquid state.

**Pump minimum is 100 RPM.

EXPLODED VIEW



(Parts List on Reverse Side)

PARTS LIST

ITEM PN	MATL	DESCRIPTION	QTY
2	34021	STL Key (M10x8x70)	1
5	125753	S Screw, HH Sems (M8x25)	8
8	44542	AL Covering, Bearing	2
9	815279	FBR Shim, Split 2-Pc	0-2
10	12398	NBR O-Ring, Bearing Cover - 70D	2
11	13296	NBR Seal, Oil, Crankshaft	2
15	29326	STL Bearing, Roller	2
20	761467	TNM Assembly, Connecting Rod (Incls: 21,22,23)	3
21	126749	STCP R Washer, Locking (M10)	3
22	126593	STCP R Shim, Washer (M10.5x1.5)	6
23	122045	STZP Screw, HH (M10x55)	6
25	29325	FCM Crankshaft, Dual End (M48)	1
31	828710	PE Protector, Oil Cap w/Polyurethane Gasket	1
32	43211	ABS Cap, Oil Filler	1
33	14177	NBR O-Ring, Oil Filler Cap - 70D	1
34	126743	STCP R Bolt, Eye (M12x1.75) (For Lifting Pump Only)	1
37	92241	— Gauge, Oil, Bubble w/Gasket	1
38	44428	NBR Gasket, Flat, Oil Gauge	1
40	125753	S Screw, HH Sems (M8x25)	8
48	25625	STCP Plug, Drain (1/4"x19BSP)	1
49	23170	NBR O-Ring, Drain Plug - 70D	1
50	45936	AL Cover, Rear	1
51	16612	NBR O-Ring, Rear Cover - 70D	1
53	44487	AL Crankcase Assy (Incls: 34,54)	1
54	27488	S Pin, Guide	2
64	763864	CM Pin, Crosshead (w/flats)	3
65	765116	SSZZ Rod, Plunger	3
69	126587	STCP R Washer, Oil Seal	3
70	100488	NBR S Seal, Oil, Crankcase	3
88	45676	S Washer, Keyhole	3
90	43921	CC Plunger (M40x145)	3
95	89778	SS Stud, Plunger Retainer (M10 x 135)	3
96	20189	PTFE Back-up-Ring, Plunger Retainer	3
97	11345	NBR O-Ring, Plunger Retainer - 70D	3
98	44085	SS Gasket, Plunger Retainer	3
99	44084	SS Retainer, Plunger (M10)	3
100	999324	AL Retainer, Seal	3
101	999490	D Adapter, 1/4"	3
102	999492	NY Tubing, 1/4"	3
103	999491	PLM Manifold [3"x1/4"NPT(M)]	1
106	76398	ST4 Seal, LPS, w/S-Spg	3

ITEM PN	MATL	DESCRIPTION	QTY
110	49464C	BBCP R Manifold, Inlet, Flushed	1
112	11379	NBR O-Ring, Inlet Manifold - 70D	3
115	22177	BBCP Plug, HH [1/4"NPT(M)]	1
117	44585	S Screw, HSH (M14x40)	4
119	34347	STZP Bracket	1
120	990776	STZP R Screw, HHC (1/4" - 20 x 1/2")	2
121	34338	BB Union [1/4"NPT(M)]	1
125	33937	SS Valve, Check [1/4"NPT(M)]	2
126	46494	BB Adapter, Female	3
127	44609	STG V-Packing	6
128	43928	BB Adapter, Male	3
141	49519	SS Spring, Large Coil	3
155	48860	NBR O-Ring, V-Packing Spacer - 90D	3
156	48362	D Back-up-Ring, V-Packing Spacer	3
157	49478	BB Spacer, V-Packing	3
158	48362	D Back-up-Ring, V-Packing Spacer	3
159	48860	NBR O-Ring, V-Packing Spacer - 90D	3
162	48363	D Back-up-Ring, Seat	6
163	26142	NBR O-Ring, Seat - 80D	6
164	44727	S Seat	6
166	43932	S Valve	6
167	44109	SS Spring	6
168	44728	PVDF Retainer, Spring	6
170	44729	SS Washer, Spring	6
171	44644	SS Spring, Coil	6
172	89827	NBR O-Ring, Valve Plug - 90D	6
173	48364	D Back-up-Ring, Valve Plug	6
174	46444	FBB Plug, Valve	6
185	49465	BBCP R Manifold, Discharge	1
188	89981	S Screw, HSH (M12x70)	8
250	44516	NY Protector, Shaft	1
255	34039	S Mount, Direct	1
260	92674	STZP R Mount, Rail Assembly	1
278	80540	STZP Screw, HH (M12x100) (Rail Adjusting Screw)	2
290	6124	— Gasket, Liquid (3 oz.)	1
299	818427CO2	BBCP Head, Complete	1
300	76020	NBR * Kit, Seal (Incls: 97,106,112,127,155,156,158,159)	1
310	34235	NBR Kit, Valve Preassembled (Incls:162-164,166-168,170-173)	2
—	6100	— Oil, Case (12-21 oz. Bottles) ISO-68 Hydraulic (Fill to specified crankcase capacity prior to start-up)	1

*Review individual parts in each kit for material code identification. Italics are optional items. R Components comply with RoHS Directive.

See Tech Bulletins 003, 024, 036, 074, 077, 083, 084, 087, and 095

MATERIAL CODES (Not Part of Part Number): ABS=ABS Plastic AL=Aluminum BB=Brass BBCP=Brass/Chrome Plated CC=Ceramic CM=ChromeMoly D=Acetal FBB=Forged Brass FBR=Fiber FCM=Forged Chrome-Moly NBR=Medium Nitrile (Buna-N) NBR S=Buna, Silicone Free NY=Nylon PLM=Unspecified Poly PTFE=Pure Polytetrafluoroethylene PVDF=Polyvinylidene Fluoride PE=Polyethylene S=304SS SS=316SS SSZZ=316SS/Zamak ST4=Special PTFE 4 STCP=Steel/Chrome Plated STG=Special Blend PTFE White STL=Steel STZP=Steel/Zinc Plated TNM=Special High Strength

CAUTIONS AND WARNINGS

All High-Pressure Systems require a primary pressure regulating device (i.e. regulator, unloader) and a secondary pressure relief device (i.e. pop-off valve, relief valve). Failure to install such relief devices could result in personal injury or damage to pump or property. Cat Pumps does not assume any liability or responsibility for the operation of a customer's high pressure system.

Read all CAUTIONS and WARNINGS before commencing service or operation of any high pressure system. The CAUTIONS and WARNINGS are included in each service manual and with each Accessory Data sheet. CAUTIONS and WARNINGS can also be viewed online at www.catpumps.com/cautions-warnings or can be requested directly from Cat Pumps.

WARRANTY

View the Limited Warranty on-line at www.catpumps.com/warranty.



CAT PUMPS

1681 - 94th Lane N.E. Minneapolis, MN 55449-4324

Phone (763) 780-5440 · Fax (763) 780-2958 · e-mail: techsupport@catpumps.com · www.catpumps.com