



EQUIPAGGIAMENTI  
TECNICI  
LAVAGGIO

# 60.0650.00

VALVOLA SICUREZZA VS 660  
SAFETY VALVE VS 660



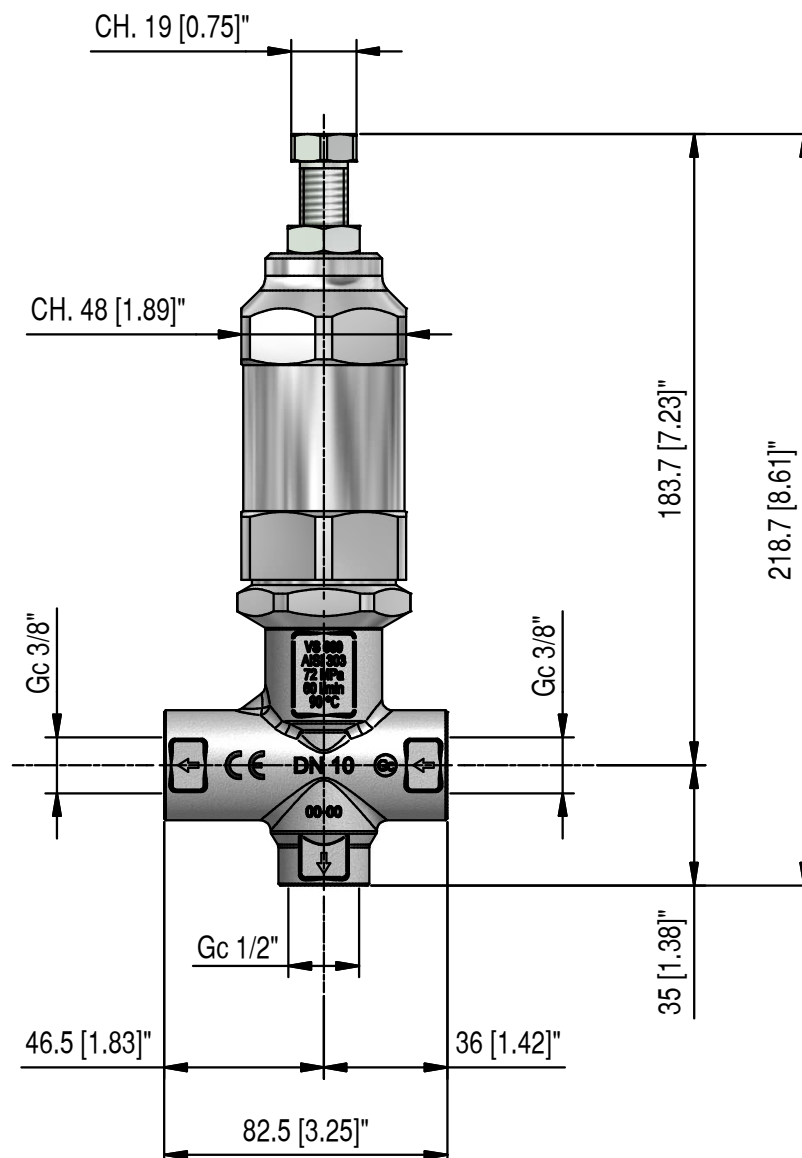
2

08/10/10

## CARATTERISTICHE TECNICHE – SPECIFICATIONS

- PRESSIONE NOMINALE RATED PRESSURE	660 bar – 66 MPa (9500 psi)
- PRESSIONE CONSENTITA PERMISSIBLE PRESSURE	720 bar – 72 MPa (10450 psi)
- PORTATA MASSIMA MAX FLOW RATE	60 l/min (16 USG p.m.)
- TEMPERATURA MASSIMA MAX WORKING TEMPERATURE	90° C (195° F)
- MASSA WEIGHT	1845 g (65.08 oz.)

## MISURE D'INGOMBRO – OVERALL DIMENSIONS









P.A. S.p.A.  
Via Milano, 13  
42048 Rubiera, Reggio Emilia - Italy  
Tel +39.0522.623611  
Fax +39.0522.629600  
info@pa-etl.it

[www.pa-etl.it](http://www.pa-etl.it)



COMPANY WITH QUALITY MANAGEMENT  
SYSTEM CERTIFIED BY DNV  
= ISO 9001 =