

Unloader T100 050 110, 111, 112



**Unloader Valves
100 050 110, 111, 112**

Unloader Valves

Product nr.	100 050 110
Pressure Range	0-150BAR
Flow Range	0-30L/Min
Inlet Port	3/8" F
Outlet Port	3/8" F
Bypass Port	3/8" F
Max Temperature	90°C
Weight	790g

Product nr.	100 050 111
Pressure Range	0-200BAR

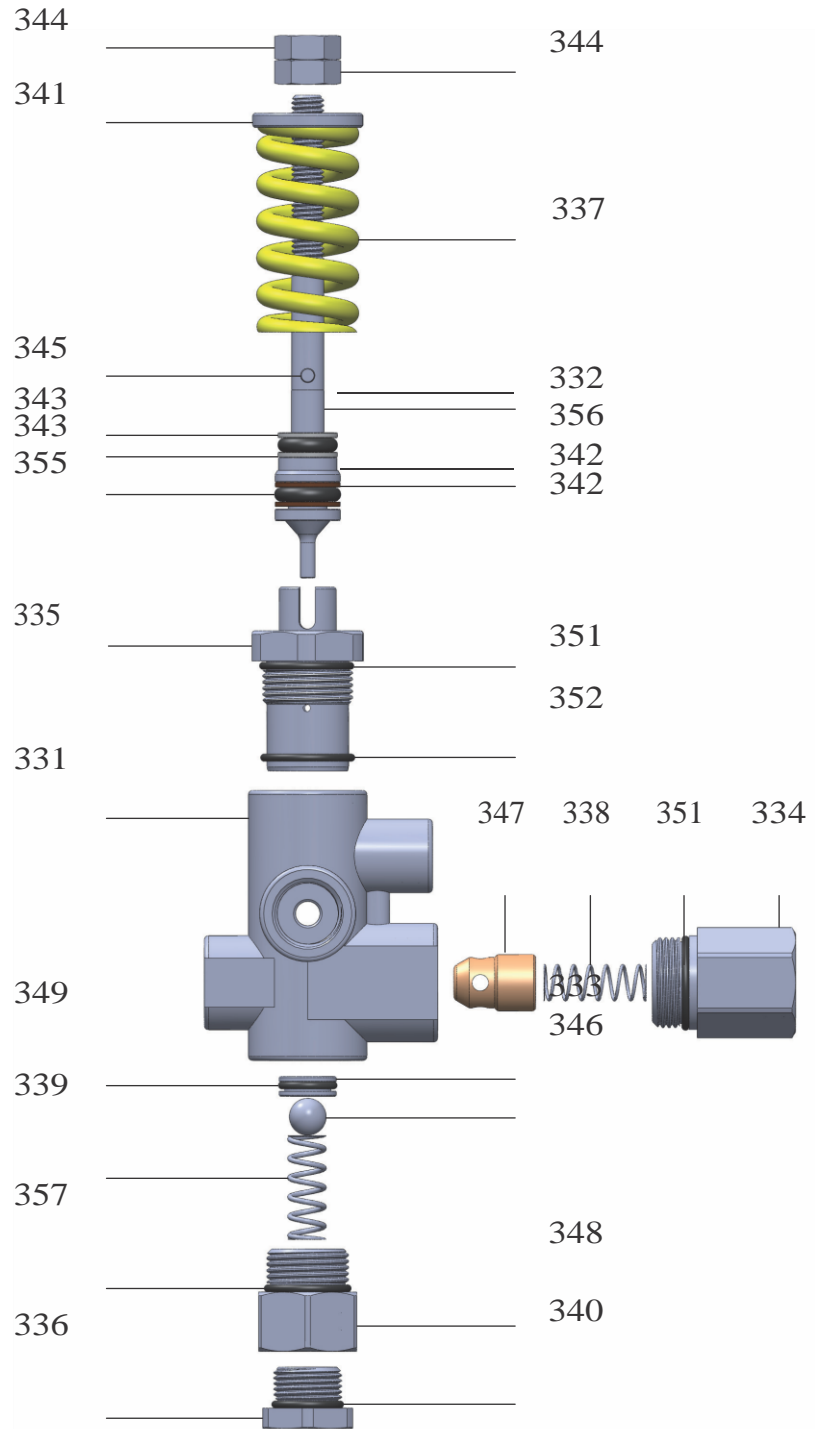
Product nr.	100 050 112
Pressure Range	0-250BAR

Features

- Maintains full system pressure while running in idle
- Offers pump protection against pressure fluctuations and system changes
- Minimum pressure fluctuations with alternating use of multiple guns and nozzles
- Two top bolts to secure exact pressure setting
- No external moving parts. Stainless Steel, PEEK and NBR internal parts for temperature, wear and liquid compatibility

Caution

All systems require both a primary pressure regulating device (i.e., regulator, unloader) and a secondary pressure safety relief device (i.e., pop-off valve, safety valve). Failure to install such relief devices could result in personal injury, damage to the pump or to system components. We do not assume any liability or responsibility for the operation of a customer's high pressure system.



Item	Description	Material	Part nr.	110	111	112
331	Unloader Valve Body	Cast 304	110 070 271	x	x	x
332	Unloader Pin	SS304	110 070 263	x	x	x
333	Seat	SS304	110 070 264	x	x	x
334	3/8" Big Nipple	SS304	110 070 281	x	x	x
335	Cylinder	SS304	110 070 272	x	x	x
336	Plug	SS304	110 070 269	x	x	x
337	Yellow Spring	High Tension Steel	110 070 286	x		
	White Spring		110 070 285		x	
	Blue Spring		110 070 270			x
338	Spring	High Tension Steel	110 070 284	x	x	x
339	Spring	High Tension Steel	110 070 283	x	x	x
340	O-ring 14.00x1.78	NBR 90	510 500 100	x	x	x
341	Spring Retainer	SS304	110 070 273	x	x	x
342	Teflon Ring	PTFE	110 070 274	x	x	x
343	Washer	PTFE	110 070 275	x	x	x
344	M8 Nut	SS304	110 070 276	x	x	x
345	Pin 15x3	SS304	110 070 277	x	x	x
346	Ball 9mm	SS304	110 070 265	x	x	x
347	Plunger	PEEK	110 070 279	x	x	x
348	3/8" Nipple	SS304	110 070 278	x	x	x
349	O-ring 10.82x2.26	NBR 90	510 500 104	x	x	x
351	O-ring 19.05x1.78	NBR 90	510 500 149	x	x	x
352	O-ring 20.35x1.78	NBR 90	510 500 150	x	x	x
355	O-ring 9.12x3.53	NBR 90	510 500 133	x	x	x
356	O-ring 7.60x2.62	NBR 90	510 500 134	x	x	x
357	O-ring 17.17x1.78	NBR 90	510 500 135	x	x	x