



Backflow preventers	26
Ball valves	24
Bayonet quick couplings	12
blufood® - food hose	21
Brush holder	34
Cartridge filter	31
Chemical spray guns ST-510 & lances	18
Descaling pumps and softening agents	26
Distributor connector block	25
easywash365+ brush holder	34
easywash365+ wash brushes - large areas are completely clean from now on!	32
Filter housings without cartridge filter	30
Float tanks	28
Float valves	29
Foam gun	37
Foodjet - food hose	21
Handles with water flow	35
Handles without water flow	35
Hose clamps	23
Hose scissors	21
Hose tails	22
Intake filter for chemicals	27
Longcast lances	15
Low pressure guns	17
Low pressure hoses	20
Low pressure valves	26
Metering valves	25
Pre-spraying kits	24
Pressure gauges	27
PURClean365+ 100 - food hose	21
PURClean365+ 40 - food hose	21
Quick couplings suitable for Nito system	36
Solenoid valves Bürkert normally closed NC	25
Spray guns	14
Spray nozzles	14
Suttner intake filter & suction sets	27
Suttner low pressure guns	17-16
Suttner steam guns	19
Telescopic lances and wash brushes	33
Vorwerk lances and wash brushes	34
Wall brackets	23
Wash brushes	32
Wash brushes with water flow	36
Water inlet quick couplings "universal"	13
Water intake filters	28

Bayonet quick couplings

Couplings with tail



Straight. Brass

Swivel straight.
BrassSuction coupling *.
Brass

Couplings with male and female thread



M thread. Brass

F thread. Flat seal.
Brass

DN
10 mm (3/8")
13 mm (1/2")
16 mm (5/8")
19 mm (3/4")
25 mm (1")
32 mm (1.1/4")
38 mm (1.1/2")

R+M Nr.	ⓘ
720 05	45
720 10	45
720 15	45
720 20	45
720 30	51
720 40	62
720 50	68

R+M Nr.	ⓘ
720 104	60
720 204	55
720 304	67
720 404	75

R+M Nr.	ⓘ
724 30	79
724 15	74
724 25	78

⊙
1/4"
3/8"
1/2"
3/4"
1"
1.1/4"
1.1/2"

R+M Nr.	ⓘ
723 05	23
723 10	24
723 20	24
723 30	22
723 40	23
723 50	26
723 60	35

R+M Nr.	ⓘ
722 10	23
722 20	23
722 30	23
722 40	23
723 00	28
723 01	30

* Leak proof. Twist on sleeve locks in place

Spare washer



Flat seal. For F thread

R+M Nr.	⊙
725 23	3/8"
725 24	1/2"
725 25	3/4"
725 26	1"
725 27	1.1/4"
725 28	1.1/2"



Gasket

R+M Nr.
725 20

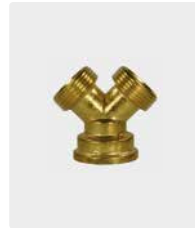
Accessories

100 meshes/cm².
Brass. Strainer
insert. ⌀ 33 mm

R+M Nr.
725 30

Bayonet blank
coupling with
gasket. Brass

R+M Nr.
725 10

3-way distributor
3/4" F : 3/4" M :
3/4" M. Brass

R+M Nr.
725 05

3-way bayonet
coupling.
Brass

R+M Nr.
725 00

KTW approved bayonet quick couplings are available on request!

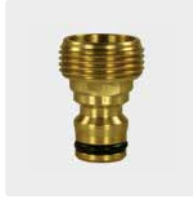
Symbols ⊙ thread ⓘ height DN nominal diameter ⌀ diameter

Water inlet quick couplings "universal"

Coupler plugs "universal"



F thread.
Brass.
With flat seal



M thread.
Brass



F thread.
Brass + rubber.
Double exit



F thread. Brass.
Elbow swivel.
With flat seal



F thread.
Plastic.
With flat seal



Plastic.
Coupler plug
for 12 - 18 mm

⊙
1/2"
3/4"
1"

R+M Nr.	ⓘ
728 310	37
728 311	37
728 312	40

R+M Nr.	ⓘ
728 320	39
728 321	37

R+M Nr.	ⓘ
728 465 4	72

R+M Nr.	ⓘ
728 313	45

R+M Nr.	ⓘ
727 00	46
727 10	39
727 13	39

R+M Nr.	ⓘ
727 791	64

Hose couplings "universal" - premium quality

Premium quality.
Hose couplings with
6 stainless steel balls.



Brass.
With tension screw



Brass.
With tension screw
+ water stop



F thread.
Brass.
With flat seal



M thread.
Brass



Filter.
Seal for 3/4" F

R+M Nr.
728 250



O-ring
R+M Nr.
727 000

DN
12 - 15 mm (1/2")
16 - 19 mm (3/4")

R+M Nr.	ⓘ
728 330 5	51
728 331 5	54

R+M Nr.	ⓘ
728 335	52
728 336	56

R+M Nr.	ⓘ
728 334	44

R+M Nr.	ⓘ
728 333	40

Hose couplings "universal"



Plastic.
With tension screw



Plastic.
With tension screw
+ water stop



Plastic.
With tension screw
+ stop valve



Brass.
With tension screw

DN
12 - 15 mm (1/2")
16 - 19 mm (3/4")

R+M Nr.	ⓘ
727 01	62
727 03	66

R+M Nr.	ⓘ
727 41	66
727 43	70

R+M Nr.	ⓘ
727 45	101

R+M Nr.	ⓘ
728 330	51
728 331	56

Hose connectors



Brass



Plastic

These brazen and plastic water inlet quick couplings "universal" are mutually compatible.

DN
16 mm (1/2")

R+M Nr.	ⓘ
728 340	45

R+M Nr.	ⓘ
727 65	52

Spray guns

Shower head



Stainless steel. Housing plastic. Inlet 1/2" F.
Max. 8 bar / 60 °C

R+M Nr.
500 101

Gun with seven jet adjustments



Plug 16 mm (universal) and 3/4" F.
Max. 8 bar / 20 °C

R+M Nr.
726 419

Gun with infinitely variable jet adjustment



Plug 16 mm (universal) and 3/4" F.
Max. 8 bar / 20 °C

R+M Nr.
726 416

Spray nozzles

Spray nozzles



Adjustable with bayonet coupling

R+M Nr.
726 81



Adjustable with hose tail. Brass

R+M Nr. DN
726 811 13 mm (1/2")

Ball valves



3/4" F : 3/4" M. Brass. Max. 8 bar / 50 °C

R+M Nr.
726 420

Micro Droplets Nozzle Holder

Fields of application:

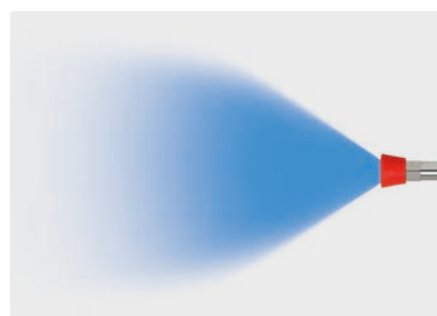
Disinfection, humidification, cooling, dust suppression, decontamination, odor control in agricultural, food and construction industry, defence and firefighting technology, car washing and detailing



ST-78. Stainless steel

R+M Nr. C
200 078 830 1/4" F

functioning of Micro Droplets Nozzle Holder



progressive, conical spray jet

Nozzles for Micro Droplets Nozzle Holder



M15x1 M. Stainless steel

R+M Nr.	D
200 078 412	1.2 mm
200 078 415	1.5 mm
200 078 420	2.0 mm
200 078 423	2.3 mm
200 078 425	2.5 mm
200 078 430	3.0 mm
200 078 435	3.5 mm

Symbols D nozzle D diameter C inlet O outlet DN nominal diameter

Longcast lances



new

3/8" F. Stainless steel. Longcast lance 350 mm with vented handle ST-29 Cool & Compact 330 mm, gun ST-2300, grip aside and nozzle protector made out of plastic without nozzle.
Max. 280 bar / 45 l/min / 100 °C

R+M Nr.		
200 078 510	nozzle protector without nozzle	3/8" F



new

1/2" F. Stainless steel. Longcast lance 350 mm with vented handle ST-29 Cool & Compact 330 mm, gun ST-2320, grip aside and nozzle protector made out of plastic without nozzle.
Max. 150 bar / 80 l/min / 100 °C

R+M Nr.		
200 078 520	nozzle protector without nozzle	1/2" F



new

LTF

1/2" F. Stainless steel. Longcast lance 350 mm with vented handle ST-29 Cool & Compact 330 mm, gun easyfarm365+, grip aside and nozzle protector made out of plastic without nozzle.
Max. 250 bar / 60 l/min / 100 °C

R+M Nr.		
200 078 530	nozzle protector without nozzle	1/2" F swivel



new

1/4" M. Stainless steel. Longcast lance 350 mm with vented handle ST-29 Cool & Compact 330 mm, grip aside and nozzle protector made out of plastic without nozzle.
Max. 280 bar / 130 l/min / 100 °C

R+M Nr.		
200 078 500	nozzle protector without nozzle	1/4" M

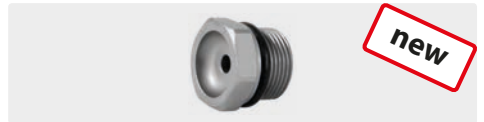
The longcast lance can be connected to a low pressure pump, to a high pressure pump, to the public water system or to the extinguishing water network.

The lance works in the medium pressure range. By means of its very good solidity, good handling and compactness the lance is especially suitable for the intensive use.

The lateral hand grip makes a stepless adjustment of the water jet during the operation possible. A long casting point jet or a progressive, conical spray jet can be set.

In order to realize ideal cleaning results the nozzle size needs to be adapted to the pump performance (pressure and water quantity).

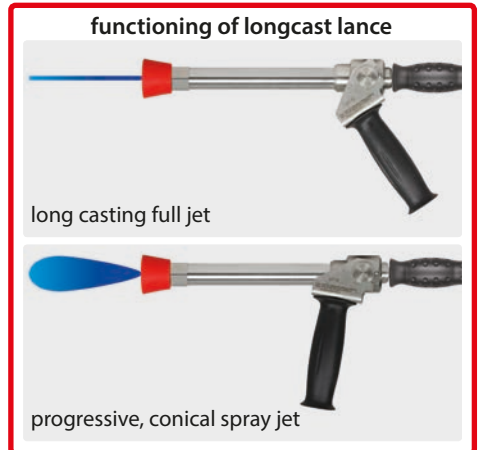
Nozzles for longcast lances



new

M15x1 M. Stainless steel

R+M Nr.	D
200 078 412	1.2 mm
200 078 415	1.5 mm
200 078 420	2.0 mm
200 078 423	2.3 mm
200 078 425	2.5 mm
200 078 430	3.0 mm
200 078 435	3.5 mm



functioning of longcast lance



long casting full jet



progressive, conical spray jet

Suttner low pressure guns

ST-1200 spray guns



Spray gun with adjustable spray angle.
Max. 24 bar / 100 l/min / 50 °C

R+M Nr.	(M)	(C)
201 200 500	brass	1/2" F



Spray gun with adjustable spray angle.
Max. 24 bar / 100 l/min / 50 °C

R+M Nr.	(M)	(C)
201 200 520	stainless steel	1/2" F



Spray gun with adjustable spray angle.
Trigger guard. Max. 24 bar / 100 l/min / 95 °C

R+M Nr.	(M)	(C)
201 200 550	brass / stainless steel	1/2" F



Spray gun with adjustable spray angle.
Trigger guard. Max. 24 bar / 100 l/min / 50 °C

R+M Nr.	(M)	(C)
201 200 535	brass	1/2" F

Repair kits ST-1200



R+M Nr.	(M)
201 200 420	stainless steel



R+M Nr.	(M)
201 200 430	brass

functioning of low pressure guns



long casting full jet



conical spray jet

Further models of the spray guns ST-1200 are available on request.

Low pressure guns

RB35



Max. 12 bar / 50 l/min / 50 °C

R+M Nr.		
500 535 500	brass	1/2" F swivel



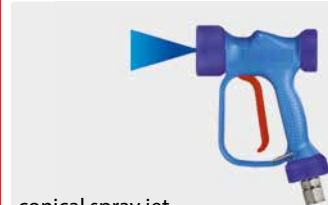
Max. 12 bar / 50 l/min / 80 °C

R+M Nr.		
500 535 510	stainless steel	1/2" F swivel

functioning of low pressure guns



long casting full jet



conical spray jet

RB65



Max. 24 bar / 60 l/min / 90 °C

R+M Nr.		
500 565 00	brass	1/2" F swivel



Max. 24 bar / 100 l/min / 90 °C

R+M Nr.		
500 565 10	brass	1/2" F swivel

Suttner low pressure guns

ST-860 low pressure



Spray gun with PEEK seat. Resistant to chemicals.
Max. 210 bar / 30 l/min / 80 °C

R+M Nr.			
200 860 500	1/4" F	1/4" F	

ST-810 low pressure



Spray gun with POM seat. Resistant to chemicals.
Max. 140 bar / 30 l/min / 80 °C

R+M Nr.			
200 810 520	1/4" F	3/8" F	

Symbols material inlet outlet

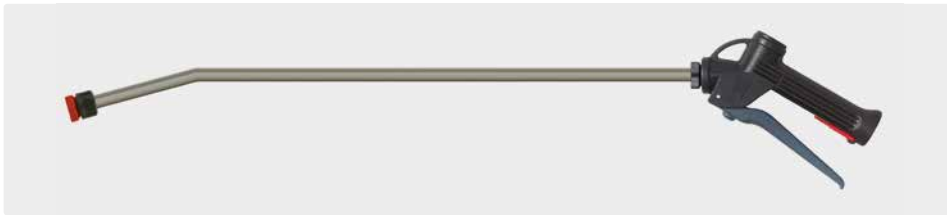
Chemical spray guns ST-510 & lances

Chemical spray guns ST-510 with lances



1000 - 2000 mm. Spray gun with telescopic lance made out of stainless steel and nozzle nut without nozzle. Spray gun with stainless steel V4A / AISI 316 ball being resistant to chemicals. Max. 25 bar / 30 l/min / 50 °C

R+M Nr.		
200 510 600	1/2" F	1/2" F



600 mm. Spray gun with lance made out of stainless steel and nozzle nut without nozzle. Spray gun with stainless steel V4A / AISI 316 ball being resistant to chemicals. Max. 25 bar / 30 l/min / 50 °C

R+M Nr.		
200 510 550	1/2" F	1/2" F



210 mm. Spray gun with lance made out of plastic and nozzle nut without nozzle. Spray gun with stainless steel V4A / AISI 316 ball being resistant to chemicals. Max. 25 bar / 30 l/min / 50 °C

R+M Nr.		
200 510 710	1/2" F	1/2" F



300 mm. Spray gun with lance made out of stainless steel and nozzle nut without nozzle. Spray gun with stainless steel V4A / AISI 316 ball being resistant to chemicals. Max. 25 bar / 30 l/min / 50 °C

R+M Nr.		
200 510 560	1/2" F	1/2" F

Chemical spray gun ST-510



Gun with stainless steel V4A / AISI 316 ball being resistant to chemicals. Max. 25 bar / 70 l/min / 50 °C

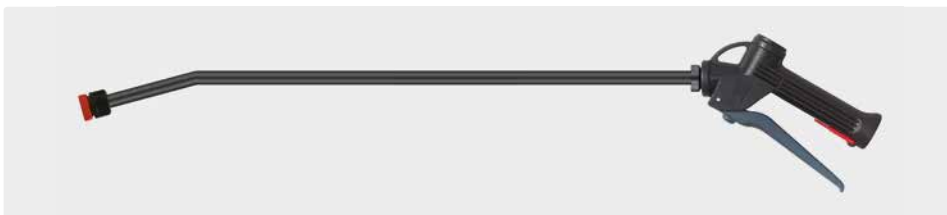
R+M Nr.		
200 510 500	1/2" F	1/2" F

Filter



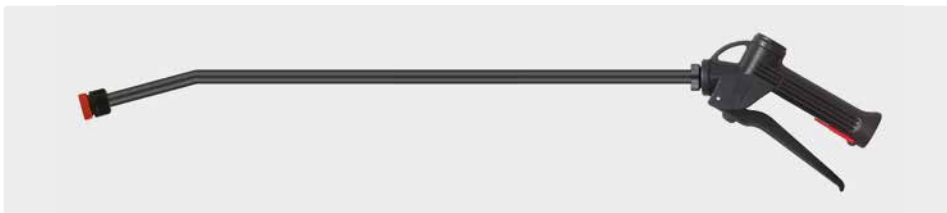
Plastic. Max. 50 °C

R+M Nr.
500 04



600 mm. Spray gun with lance made out of plastic and nozzle nut without nozzle. Spray gun with stainless steel V4A / AISI 316 ball being resistant to chemicals. Max. 25 bar / 30 l/min / 50 °C

R+M Nr.		
200 510 700	1/2" F	1/2" F



600 mm. Spray gun with lance made out of plastic and nozzle nut without nozzle. Spray gun with acid-resistant ball. Max. 25 bar / 30 l/min / 50 °C

R+M Nr.		
200 510 705	1/2" F	1/2" F

Suttner steam guns

The steam guns of the series ST-4000 and ST-860D are the ideal solution for cleaning tasks with steam. Both series are designed for a medium temperature of up to 200 °C and for a working pressure of max. 20 bar. By means of a specifically produced valve housing with 3/4" F made out of aluminium the ST-4000 is suitable for extremely high flow rates. The ST-860D is unbeatable in case of small and medium flow rates.


Apart from being enormously resistant to high temperatures the sealing copolymer is suitable for all liquids based on mineral oil as well as for inorganic acids, alkaline solutions, alcohol and anti-corrosion liquids based on amines and seawater or on their mixtures.

The fact that the hose connection is positioned in the front of the gun positively effects the professional handling with the gun as well as the heat radiation close to hand and body.

ST-860D steam gun





Professional steam gun ST-860D. Brass.
Max. 20 bar / 200 °C

R+M Nr.		
200 860 550	1/4" F	1/4" F

ST-860D steam gun with lance





Professional steam gun ST-860D with lance 400 mm stainless steel, vented handle ST-9.1 220 mm and nozzle protector ST-12 without nozzle. Max. 20 bar / 200 °C



R+M Nr.		
200 860 555	1/4" F NPT	1/4" F

ST-4000 steam gun with lance



Professional steam gun ST-4000 with lance 500 mm stainless steel with vented handle ST-9 380 mm and steam low pressure nozzle made out of stainless steel. Max. 20 bar / 200 °C

R+M Nr.		
204 000 500	steam low pressure nozzle	3/4" F

Symbols  inlet  outlet

Low pressure hoses

Rubber hoses black



Black surface and interior. Industrial version for water and compressed air. Abrasion- and ozone-resistant. Burst pressure > 60 bar. Max. 20 bar. -10 °C - +60 °C

Per metre

R+M Nr.	DN	⊞	⊞
305 10	13 (1/2")	4	
305 20	19 (3/4")	5	
305 30	25 (1")	5	

Complete rolls *

R+M Nr.	DN	⊞	⊞
305 101 00	13 (1/2")	100 m	4
305 201 00	19 (3/4")	100 m	5
305 301 00	25 (1")	100 m	5

Reinforced PVC hoses clear



Clear. Max. 60 °C. Other dimensions are available on request

Per metre

R+M Nr.	DN	⊞
306 40	6	3.0
306 50	8	3.0
306 55	9	3.0
306 60	10	3.0
307 10	12	3.0
306 70	13	3.0
306 80	16	3.0
306 90	19	3.5

Complete rolls

R+M Nr.	DN	⊞	⊞
306 401 00	6	100 m	3.0
306 501 00	8	100 m	3.0
306 550 50	9	50 m	3.0
306 600 50	10	50 m	3.0
307 100 50	12	50 m	3.0
306 700 50	13	50 m	3.0
306 800 50	16	50 m	3.0
306 900 50	19	50 m	3.5

Rubber hoses grey



Grey NBR surface. White, food safe interior. Suitable for hot and cold liquids. Resistant to animal fats. Burst pressure > 60 bar. Max. 20 bar. -20 °C - +100 °C

Per metre

R+M Nr.	DN	⊞	⊞
305 40	13 (1/2")	4.5	
305 50	19 (3/4")	4.8	

Spiral line hoses



Especially for suction. Suitable for vacuum. -10 °C - +50 °C

Per metre

R+M Nr.	DN	⊞
307 519	19 (3/4")	2.6
307 525	25 (1")	2.7
307 532	32 (1.1/4")	2.7
307 538	38 (1.1/2")	2.7
307 550	50 (2")	4.0

Complete rolls

R+M Nr.	DN	⊞	⊞
307 519 025	19 (3/4")	25 m	2.6
307 525 025	25 (1")	25 m	2.7
307 532 025	32 (1.1/4")	25 m	2.7
307 538 025	38 (1.1/2")	25 m	2.7
307 550 025	50 (2")	25 m	4.0

Reinforced PVC hoses blue



Max. 60 °C. Other dimensions are available on request

Per metre

R+M Nr.	DN	⊞
080 000 310	9	3
306 71	13	3

Complete rolls

R+M Nr.	DN	⊞	⊞
306 560 50	9	50 m	3
306 710 50	13	50 m	3

Plastic hoses yellow



NTS YELLOW. Yellow, matt-coated cover with blue stripes and color elements. 6-ply with yellow interior, black anti-algae protective layer, yellow interlayer, NTS fabric reinforcement, translucent outer layer. UV resistant.

Lead and cadmium free. Phthalate free. Food safe.

Burst pressure > 30 bar. -20 °C - +65 °C

Complete rolls

R+M Nr.	DN	⊞	⊞
305 112 25	13 (1/2")	25 m	2.3
305 112 50	13 (1/2")	50 m	2.3
305 134 25	19 (3/4")	25 m	2.8
305 134 50	19 (3/4")	50 m	2.8

Clear PVC hoses



Especially for suction of chemicals. Max. 60 °C. Other dimensions are available on request

Per metre

R+M Nr.	DN	⊞
306 10	4	1.0
306 20	6	1.5
306 30	8	2.0

Complete rolls

R+M Nr.	DN	⊞	⊞
306 101 00	4	100 m	1.0
306 201 00	6	100 m	1.5
306 301 00	8	100 m	2.0

Reinforced PVC hoses yellow



Max. 60 °C. Other dimensions are available on request

Per metre

R+M Nr.	DN	⊞
080 000 300	6	3
080 000 320	9	3

Complete rolls

R+M Nr.	DN	⊞	⊞
306 410 50	6	50 m	3
306 570 50	9	50 m	3

Symbols DN nominal diameter mm ⊞ wall thickness mm ⊞ length P pressure BP burst pressure ⊞ weight

Hose scissors



Hose scissors for plastic hoses. Suitable for an outer hose diameter of up to 28 mm

R+M Nr.
955 00



Spare blade

R+M Nr.
955 01

Foodjet / foodjet 1500 - HP hose

Foodjet and foodjet 1500- High pressure hoses according to EN 854. Particularly resistant to animal and **poultry fats**.

- » Field of application: poultry processing industry.
- » Suitable for oil, water, water-in-oil emulsions and water mixes with up to 50 % detergent.
- » Surface synthetic rubber. Particularly abrasion-, oil-, ozone-resistant and weatherproof.
- » Interior synthetic, oil-resistant rubber. Tight textile meshwork.
- » -40 °C - +150 °C



R+M Nr.	DN	↔	⚠	P	BP	⊠
303 60	12	10 - 95 m	3.5	80	≥ 240 bar	0.21 kg



R+M Nr.	DN	↔	⚠	P	BP	⊠
303 601 500	12	70- 100 m	4.5	125	≥ 375 bar	0,3 kg

PURClean365+® 40 - food hose



PURClean365+® 40 - Food hose according to (EC) 2002/72, (EU) 10/2011, (EG) 1935/2004 and (EG) 2023/2006. Designed for industrial foam applications.

- » Field of application: foam hose and pre-spraying hose in the food industry.
- » Suitable for contact with liquid food products.
- » Suitable for water and water mixes of usual cleaning detergents.
- » PVC hose with three layers and a smooth surface.
- » Increased 1-layer rot-proof textile mesh.
- » -20 °C - +70 °C

R+M Nr.	DN	↔	⚠	P 20 °C	P 70 °C	BP 20 °C	⊠
303 660 40	12	10 - 100 m	4,5	100 bar	45 bar	≥ 250 bar	0.25 kg

Hose reel trolley



Plastic. 2 plugs (universal). Compatible with common plug-in systems.

- 1/2" hose (12 mm) max. 50 m.
- 5/8" hose (16 mm) max. 40 m.
- H x D x W = 750 x 440 x 370 mm.
- Max. 6 bar / 20 °C

R+M Nr.
761 60

blufood® - food hose



blufood® - Food hose according to 2007/19/EC, 2002/72/EC, Regulation 10/2011. Designed for industrial foam applications.

- » Field of application: foam hose and pre-spraying hose in the food industry.
- » Suitable for contact with liquid food products.
- » Suitable for water and water mixes of usual cleaning detergents.
- » PVC hose with five layers and a smooth surface.
- » Reinforcing twofold textile meshwork.
- » -20 °C - +70 °C

R+M Nr.	DN	↔	⚠	P 20 °C	P 70 °C	BP 20 °C	⊠
303 70	12	10 -100 m	5	50 bar	30 bar	≥ 240 bar	0.32 kg
303 700 019	19	10 - 60 m	6	40 bar	15 bar	≥ 200 bar	0.61 kg

PURClean365+® 100 - food hose



PURClean365+® 100 - Food hose according to (EC) 2002/72, (EU) 10/2011, (EG) 1935/2004 and (EG) 2023/2006. Designed for industrial foam applications.

- » Field of application: foam hose and pre-spraying hose in the food industry.
- » Suitable for contact with liquid food products.
- » Suitable for water and water mixes of usual cleaning detergents.
- » PVC hose with three layers and a smooth surface.
- » Increased 1-layer rot-proof textile mesh.
- » -20 °C - +100 °C
- » **About 20 % lighter and more flexible than comparable hose types**

R+M Nr.	DN	↔	⚠	P 20 °C	P 100 °C	BP 20 °C	⊠
303 661 00	12	10 - 100 m	4,5	40 bar	18 bar	≥ 200 bar	0.25 kg

Hose tails

Male thread



Brass.
Max. 150 °C



Stainless steel.
Max. 150 °C



Plastic.
Max. 60 °C



Plastic.
Max. 60 °C



Plastic.
Max. 60 °C



Brass.
Max. 150 °C

DN	⊙
4 mm	1/8"
6 mm	1/8"
6 mm	1/4"
6 mm	3/8"
6 mm	1/2"
8 mm	1/8"
8 mm	1/4"
8 mm	3/8"
8 mm	1/2"
10 mm	1/4"
10 mm	3/8"
12 mm	1/4"
12 mm	3/8"
12 mm	1/2"
12 mm	3/4"
16 mm	1/2"
16 mm	3/4"
19 mm	1/2"
19 mm	3/4"
19 mm	1"
25 mm	3/4"
25 mm	1"

R+M Nr.	⊓
710 00	31
710 10	35
710 40	36
710 65	40
710 05	31
710 20	34
710 50	38
710 70	49
710 25	34
710 55	35
710 30	35
710 60	38
710 80	50
710 90	47
710 85	40
710 95	49
711 21	63
711 00	47
711 20	49
711 10	55

R+M Nr.	⊓
710 009	33
710 19	49
710 29	48
710 79	
710 559	36
710 89	49
711 2199	53
711 09	51
711 259	70

R+M Nr.	⊓
712 05	27
712 10	33
712 20	38
712 40	39
712 30	41
712 50	41
712 70	49
712 55	44
712 60	46
712 80	54
712 90	58

R+M Nr.	⊓
713 10	21
713 20	26
713 40	26
713 30	28
713 50	33
713 70	37
713 32	30
713 60	32
713 80	36

R+M Nr.	↔	⊓
714 10	57	21
714 20	57	26
714 30	66	28

DN	⊙
6 mm	1/4"
8 mm	1/4"
8 mm	3/8"
8 mm	1/2"
12 mm	3/8"
12 mm	1/2"

R+M Nr.	⊓
710 104	33
710 204	33
710 504	33
710 704	36
710 604	40
710 804	38

2/3 hose tails

Filter



Flat seal

R+M Nr.	⊙
725 40	3/4"

DN	⊙
10 mm	1/2"
10 mm	3/4"
13 mm	1/2"
13 mm	3/4"
13 mm	1"
19 mm	3/4"
19 mm	1"
25 mm	1"



Brass.
Max. 150 °C



Plastic.
Max. 60 °C



Brass.
Max. 150 °C

Hose connectors



Plastic.
Max. 60 °C



Plastic.
Max. 60 °C



Plastic.
Max. 60 °C

DN
6 mm
8 mm
12 mm

R+M Nr.	⊓
715 10	49
715 20	56
715 30	73

R+M Nr.	↔	⊓
717 10	50	26
717 20	58	30
717 30	68	36

R+M Nr.	⊓
716 10	46
716 20	53
716 30	68

Symbols DN nominal diameter ⊙ thread ⊓ height ↔ length VPE packing unit ∅ diameter M material TYP type

Hose clamps

1.4016 stainless steel housing and band.
Hexagon screw zinc-plated. Worm gear high tension.
Flat tape inner sides with turned up rims.
According to DIN 3017, W2



W4 and W5 completely rust-free, is available on request

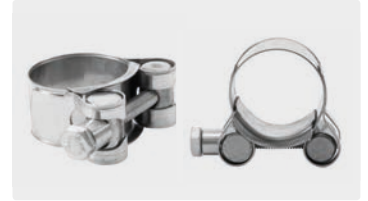
Clamps with hexagon screw. \bar{I} 9 mm

R+M Nr.	VPE	Ø
735 10	1	8 - 12 mm
735 20	1	10 - 16 mm
735 30	1	12 - 20 mm
735 40	1	16 - 25 mm
735 50	1	20 - 32 mm
735 60	1	25 - 40 mm
735 70	1	32 - 50 mm
735 80	1	50 - 70 mm

R+M Nr.	VPE	Ø
735 101 00	100	8 - 12 mm
735 201 00	100	10 - 16 mm
735 301 00	100	12 - 20 mm
735 401 00	100	16 - 25 mm
735 501 00	100	20 - 32 mm
735 601 00	100	25 - 40 mm
735 701 00	100	32 - 50 mm
735 801 00	100	50 - 70 mm

Heavy duty clamp

Heavy duty clamp completely stainless steel X5CrNi1810. According to DIN 1.4301/AISI 304



Clamp with hexagon bolt. W4. \bar{I} 20 mm

R+M Nr.	VPE	Ø
736 029 401	1	29 - 31 mm

R+M Nr.	VPE	Ø
736 032 401	1	32 - 35 mm

Wall brackets

Hose holders



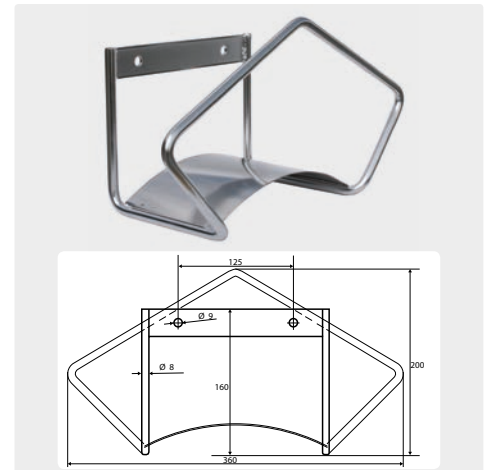
Holding capacity 1/2" = 40 m - 3/4" = 30 m.
Hole spacing 140 mm.
W x H x D = 260 x 165 x 170 mm

R+M Nr.	(M)
110 00	plastic



Holding capacity 1/2" = 40 m - 3/4" = 30 m.
Hole spacing 140 mm.
W x H x D = 280 x 140 x 130 mm

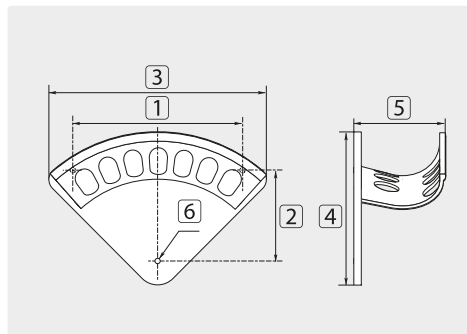
R+M Nr.	(M)
110 05	powder-coated steel



Holding capacity 1/2" = 40 m - 3/4" = 30 m.
Hole spacing 125 mm.
W x H x D = 360 x 200 x 170 mm

R+M Nr.	(M)
110 06	polished stainless steel 1.4301

Hose holder aluminium



R+M Nr.	TYP	holding capacity	1	2	3	4	5	6
110 01	S	1/4" = 30 m - 3/8" = 20 m	155	77	188	145	70	Ø 5.5
110 02	M	3/8" = 30 m - 1/2" = 20 m	255	107	266	200	108	Ø 6.0
110 03	L	1/2" = 30 m - 3/4" = 20 m	272	145	348	255	143	Ø 8.0
110 031	XL	3/4" = 30 m - 1" = 20 m	366	162	417	307	187	Ø 10.0

Brush holder



Suitable for all brushes.
Hole spacing 202 mm.
W x H x D = 250 x 90 x 100 mm

R+M Nr.	(M)
108 290 30	stainless steel

Pre-spraying kits

Pre-spraying kits to connect to the tap



- » Lance with insulation 1200 mm
- » Suction hose 2 m. Spray hose 10 m
- » Spray nozzle 1/4" M 40° 15
- » For tap 3/4" F
- » Min. 2 bar - max. 10 bar
- » Output of approx. 150 l/h at 2 bar
- » Mixing of chemicals approx. 0 - 11.5 %
- » Please use backflow preventer (R+M Nr. 734 10)

R+M Nr.	↔
545 110	10 m
545 120	20 m
545 125	25 m

Low pressure injectors



Min. 2 bar - max. 10 bar. Output of approx. 150 l/h at 2 bar. Mixing of chemicals approx. 0 - 11.5 %

R+M Nr.	TYP	D	G	⊗
200 060 700 1	ST-60.1	1.6	3/8" M	3/8" F
200 060 710 1	ST-60.1	1.8	3/8" M	3/8" F
050 000 370 2	o-ring			
200 061 500 3	metering valve hose tail ⊗ 6 mm			

Low pressure injector

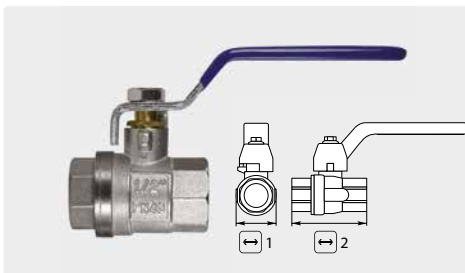


Injector with metering valve. Suction hose 1000 mm. Suction filter ST-31. 2 bar - max. 10 bar

R+M Nr.	G	⊗
545 101	3/4" F	3/8" F

Ball valves

Standard



Nickel-plated brass. Ball chrome-plated.
Max. 25 bar / 60 °C

R+M Nr.	⊗	↔ 1	↑ 2
705 10	1/4" F	17 mm	45 mm
705 20	3/8" F	20 mm	45 mm
705 30	1/2" F	24 mm	50 mm
705 40	3/4" F	31 mm	56 mm
705 50	1" F	36 mm	69 mm

Ball valves with butterfly handle



Nickel-plated brass. Ball chrome-plated.
Max. 210 bar / 80 °C

R+M Nr.	⊗	↔ 1	↑ 2
705 383 82	3/8" F	30 mm	75 mm
705 121 22	1/2" F	36 mm	85 mm



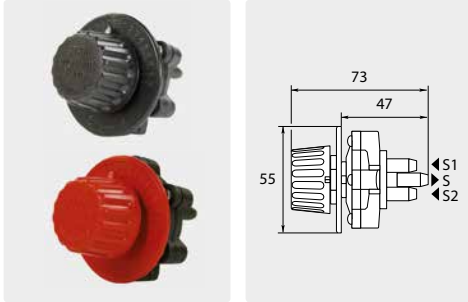
Nickel-plated brass. Ball chrome-plated.
Max. 15 bar / 90 °C

R+M Nr.	⊗	↔ 1	↑ 2
010 008 110	1/4" F	40 mm	40 mm

Symbols ⊗ inlet ⊗ outlet ↔ length ↑ height TYP type ⊗ thread ⊗ diameter DN nominal diameter V voltage

Metering valves

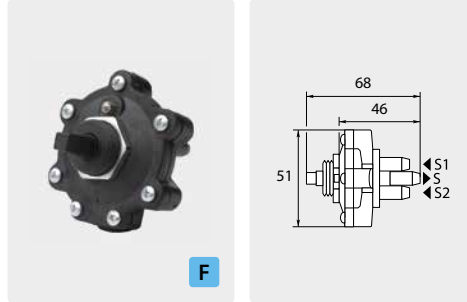
ST-66 with check valve



S = barb to pump. S1 = input barb 1. S2 = input barb 2

R+M Nr.	TYP
200 066 500	knob black
200 066 501	knob red

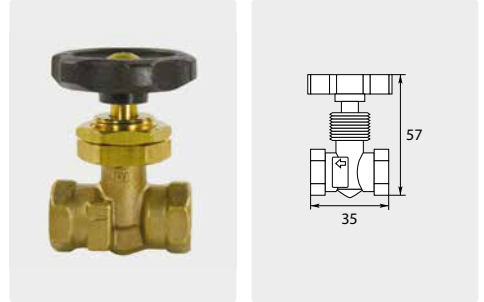
ST-66 with check valve



S = barb to pump. S1 = input barb 1. S2 = input barb 2

R+M Nr.	TYP
200 066 515	without knob

Valves with spindle

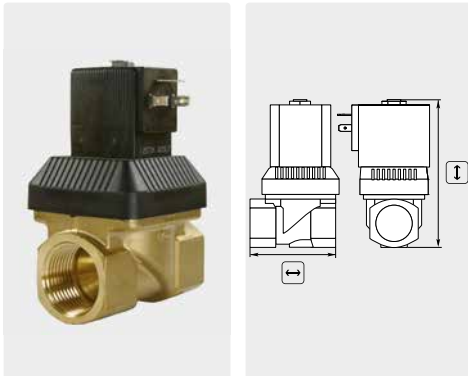


Max. 250 bar / 80 °C

R+M Nr.	⊕: ⊖	TYP
535 10	1/4" F	without knob
535 15	1/4" F	with knob (panel mounting)

Solenoid valves Bürkert normally closed NC

Type 6213 without connector



0 - 10 bar / -10 - +90 °C.
NBR seal (air, water)

R+M Nr.	⊙	DN	coil	↔	⊥
836 125 658	1/2"	13	24 V-50 Hz/8 W	59	99
836 125 660	1/2"	13	230 V-50 Hz/8 W	59	99
836 125 657	1/2"	13	24 V =	59	99
836 126 273	3/4"	13	24 V-50 Hz/8 W	59	99
836 126 275	3/4"	13	230 V-50 Hz/8 W	59	99
836 221 618	3/4"	13	24 V =	65	99
836 126 289	1"	20	24 V-50 Hz/8 W	80	119
836 126 291	1"	20	230 V-50 Hz/8 W	80	119

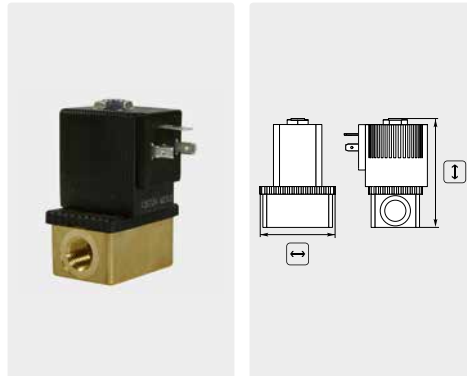
Coil type 5281-6213



50 Hz

R+M Nr.	V
836 126 436	24 V/8 W
836 126 430	230 V/8 W

Type 6013 without connector



0 - 25 bar / -10 - +120 °C. FKM seal (hot air, oxygen, chemicals)

R+M Nr.	⊙	DN	coil	↔	⊥
836 137 538	1/4"	2	24 V-50 Hz/8 W	49	72
836 137 540	1/4"	2	230 V-50 Hz/8 W	49	72
836 137 537	1/4"	2	24 V =	49	72

Coil type 6013



50 Hz

R+M Nr.	V
836 645 556	24 V/8 W
836 645 558	230 V/8 W

Connector



R+M Nr.
833 50

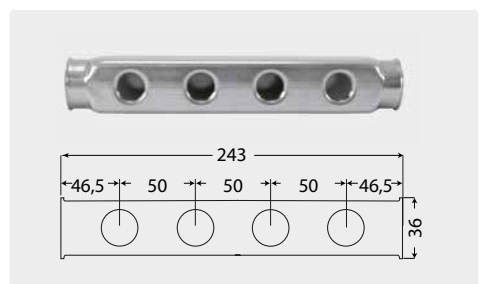
Further solenoid valves are on page 76 and 86. Other models are available on request.

Distributor connector block



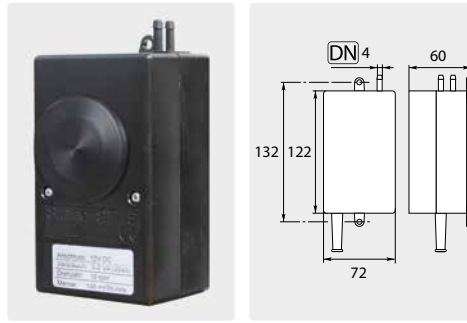
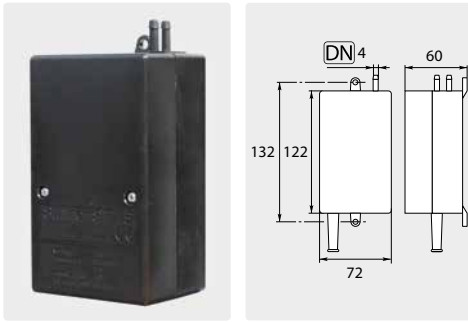
Stainless steel. 4 connections.
H x W x D: 36 x 243 x 40 mm. 390 g.
Max. 10 bar. 150 °C

R+M Nr.	4 x ⊙	⊕	⊖
725 041 012	1/2" F	1" F	1" F



Descaling pumps and softening agents

ST-15 descaling softening pumps



Softening agents



This product bounds the minerals causing the hardness. The coil is protected against calcination.
 Application:
 4 ml / °dH / cbm water.
 1 pallet = 84 cardboard boxes (6 x 1 l)

For trailer mounted pressure washers

R+M Nr.	hp cleaner	V	←
200 015 500	< 600 l/h	230 V - 50 Hz	35
200 015 510	< 600 l/h	24 V - 50 Hz	35
200 015 505	> 600 l/h	230 V - 50 Hz	70
200 015 535	> 900 l/h	230 V - 50 Hz	140
200 015 525	> 900 l/h	24 V - 50 Hz	140

R+M Nr.	hp cleaner	V	←
200 015 526	> 900 l/h	12 V =	140

R+M Nr.	unit	⊞
950 10	box	6 x 1 l
950 40	container	10 l
950 50	container	20 l
950 20	drum	200 l

Low pressure valves

Check valves & intake filter



YORK check valve. Valve nylon with rubber seal. Stainless steel spring. Avoids backflow in any position. 12 bar



R+M check valve. Valve nylon with rubber seal. Stainless steel spring. Avoids backflow in any position. 20 bar



Intake filter. Nylon thread. Stainless steel mesh

⊙
3/8"
1/2"
3/4"
1"
1.1/4"

R+M Nr.	⊞
733 20	52 mm

R+M Nr.	⊞
733 004	44 mm
733 054	48 mm
733 104	53 mm
733 204	58 mm
733 304	66 mm

R+M Nr.	⊙	⊞
732 80	18 mm	42 mm
732 70	22 mm	38 mm
732 60	28 mm	50 mm
732 90	36 mm	57 mm
732 95	43 mm	65 mm

Backflow preventers



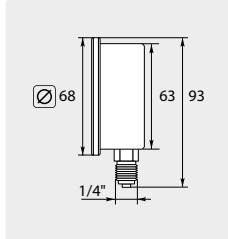
Chrome-plated brass. Backflow preventer according to DIN 19884 and DIN EN 1717. Avoids that cleaning agents come into the potable drink circuit in case of excess pressure in the water pipe. Required when direct connection to pump

R+M Nr.	⊙	⊞
734 10	3/4"	61 mm

According to the EU directives EN 60335-2-79:2010 currently in force, the water that passes through a high pressure cleaner is no longer considered fit for drinking. This is why such a cleaner cannot be connected directly to the drinking water supply network unless a back flow preventer disconnecter has been fitted.

Pressure gauges

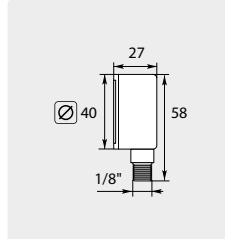
Glycerin filled



∅ 63 mm. Housing stainl. steel. Inlet at the bottom

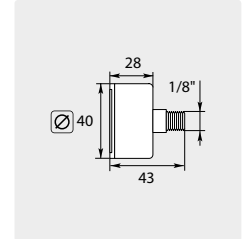
R+M Nr.	pressure range
548 90	0 - 25 bar
549 00	0 - 40 bar

Undamped



∅ 40 mm. Housing plastic. Inlet at the bottom

R+M Nr.	pressure range
547 10	0 - 16 bar



∅ 40 mm. Housing plastic. Inlet at the back

R+M Nr.	pressure range
547 50	0 - 12 bar

Further pressure gauges are on page 76.

Suttner intake filter & suction sets

ST-35 intake filter for water

Heavy version made out of plastic.
Valve nylon with rubber seal.
Stainless steel spring and screen.
Max. 60 °C



Without check valve



With check valve



Without check valve

Suction sets with suction filter ST-35



DN
13 - 19 mm
19 - 25 mm

R+M Nr.	∅	I
200 035 500	80	147
200 035 530	80	147

R+M Nr.	∅	I
200 035 510	80	147

R+M Nr.	∅	I
200 035 600	86	225
200 035 630	86	225

R+M Nr.	TYP	⊕	↔
731 12	without valve *	ÜM 3/4" F	3 m
731 21	with valve *	ÜM 3/4" F	3 m

* check valve

Intake filter for chemicals



DN 6 mm. Fine filter.
Fine core stainless steel screen with brazen bottom

R+M Nr.	∅	I
730 25	22	55



DN 6 mm. ST-32.
Brass

R+M Nr.	∅	I
200 032 800	20	32



DN 6 - 8 mm. ST-32.
Stainless steel

R+M Nr.	∅	I
200 032 600	19	39



DN 6 - 8 mm. ST-31
without check valve. Plastic. Brass weight

R+M Nr.	∅	I
200 031 600	20	75



DN 6 - 8 mm. ST-31
with check valve. Plastic. Stainless steel weight

R+M Nr.	∅	I
200 031 615	20	75



DN 6 - 8 mm. ST-31R
with check valve. Plastic. Brass weight

R+M Nr.	∅	I
200 031 610	20	75



DN 6 - 8 mm. ST-31R
with check valve. Plastic. Stainless steel weight

R+M Nr.	∅	I
200 031 611	20	75

Symbols DN nominal diameter V voltage → flow I height ∅ diameter ⊙ thread TYP type ⊕ inlet ↔ width I volume 🚚 shipment by truck

Water intake filters

R+M filter



Aluminium. Complete with screen (stainless steel). 300 microns. Max. 10 bar / 60 l/min / 80 °C

R+M Nr.	⊗	⊖	↔	⊓
730 504	1/2" F	1/2" M	83	34

ST-33



Screen. Stainless steel

R+M Nr.	microns
730 504 03	300



Complete with screen (stainless steel). 400 micron. Max. 10 bar / 60 l/min / 60 °C

R+M Nr.	⊗	⊖	↔	⊓
200 033 540	1/2" F	1/2" M	69	38



Screen. Stainless steel

R+M Nr.	microns
120 000 765	400

ST-33



Complete with filter fine core washable (stainless steel and plastic). ⊓ 95 mm
⊓ 112 mm. Max. 6 bar / 60 °C / 50 l/min

R+M Nr.	⊗	⊖	microns
200 033 700	3/4" F	3/4" M	50
200 033 705	1/2" F	1/2" M	125



Filter fine core washable. Stainless steel + plastic

R+M Nr.	microns
020 001 735	50
020 001 737	125



Complete with filter fine core washable (stainless steel and plastic). 50 microns. Max. 6 bar / 60 °C / 50 l/min

R+M Nr.	⊗	⊖	⊓
200 033 900	3/4" F	3/4" M	141



Filter fine core washable. Stainless steel + plastic

R+M Nr.	microns
020 000 670	50

Water filter 3"



Complete with screen (plastic). 60 microns. Max. 10 bar / 50 l/min / 50 °C

R+M Nr.	⊗	⊖	⊓
734 40	3/4" M	3/4" F	123



Screen. Plastic. 60 microns

R+M Nr.
734 703

Y-filter



Complete with screen (stainless steel). 500 micron. Max. 10 bar / 60 l/min / 60 °C

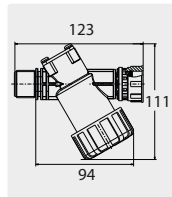
R+M Nr.	⊗	⊖	⊓
732 038	3/8" F	3/8" F	58
732 012	1/2" F	1/2" F	58
732 034	3/4" F	3/4" F	70

Filter DN 17



Complete with screen. With integrated shut-off valve for the flow of water. * 250 microns. Max. 10 bar / 120 l/min / 90 °C

R+M Nr.	⊗	⊖	↔
732 923 00	3/4" M	3/4" F	123



Filter fine core washable. Stainless steel + plastic. 250 microns

R+M Nr.
732 005 945

new

* A pre-shut-off is not necessary.

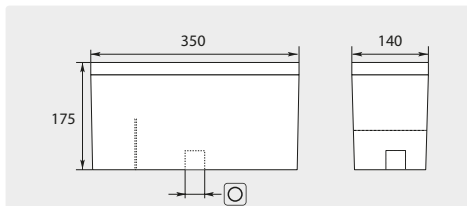
The higher the number of microns the more coarsely meshed are the meshes: 500 microns = coarse . 50 microns = fine

Float tanks

Suttner float tank



R+M Nr.	⊗	⊓
020 000 780	3/4"	7 l



Float tank with intake spray wall. Avoids air circulation

Cover Suttner float tank

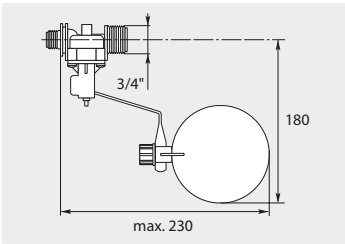


R+M Nr.
020 000 800

Symbols ⊗ inner diameter ⊗ inlet ⊖ outlet ↔ length ⊓ height TYP type ⊙ thread ⊓ volume ↔ flow

Float valves

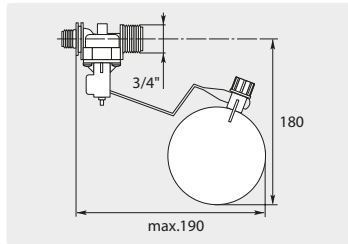
AK with ball horizontal



Plastic. Pressure 0.3 - 10 bar.
Max. 22 l/min / 60 °C

R+M Nr.			
701 402	3/4" M	3/4" M	10 mm

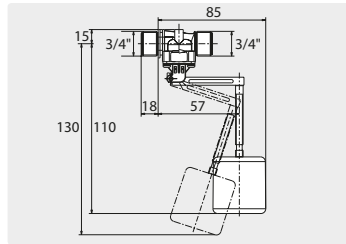
AK with ball vertical



Plastic. Pressure 0.3 - 10 bar.
Max. 22 l/min / 60 °C

R+M Nr.			
701 404	3/8" M	3/4" M	10 mm

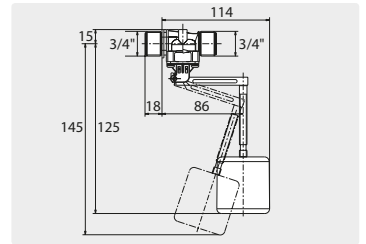
AK with PE float



PE float. Pressure 0.3 - 10 bar.
Max. 22 l/min / 60 °C

R+M Nr.			
701 405	3/4" M	3/4" M	10 mm

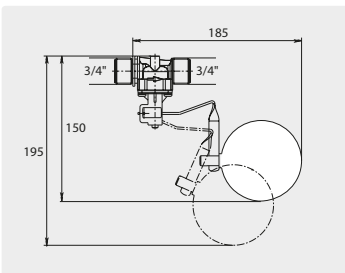
AK with PE float



PE float. Pressure 0.3 - 10 bar.
Max. 22 l/min / 60 °C

R+M Nr.			
701 408	3/4" M	3/4" M	10 mm

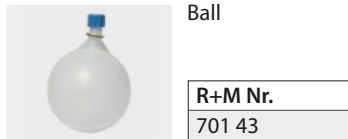
AK with ball



Plastic. Pressure 0.3 - 10 bar.
Max. 22 l/min / 60 °C

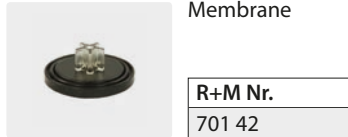
R+M Nr.			
701 403	3/4" M	3/4" M	10 mm

Accessories AK



Ball

R+M Nr.
701 43



Membrane

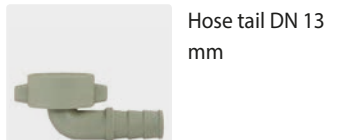
R+M Nr.
701 42

Accessories AK valves



Clamp

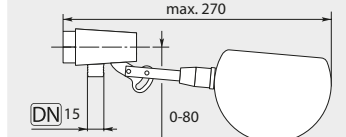
R+M Nr.
701 41



Hose tail DN 13 mm

R+M Nr.
711 60 3/4" F

ST-8 with ball



Brass / plastic.
Max. 10 bar / 22 l/min / 60 °C

R+M Nr.		
200 008 5201/2" F	12 mm	

Ball ST-8



R+M Nr.
030 000 180 swimmer
020 000 610 screw

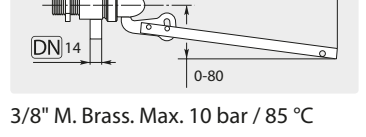
Plastic



Brass / plastic. 3/4" M.
DN 9.5. Max. 60 °C

R+M Nr.	
701 500 100	

PEKI without ball



3/8" M. Brass. Max. 10 bar / 85 °C

R+M Nr.		
701 00	16 l/min	8 mm
701 05	30 l/min	12 mm

Ball PEKI



Max. 60 °C

R+M Nr.	
701 35	



Stainless steel. 85 °C. Suitable for 701 05

R+M Nr.	
701 39	

Seal kit PEKI



R+M Nr.	
701 001	

Level sensor LS809-51



Plastic. Cable length 500 mm. 2-core cable. 250 V / 1 A / 70 W. -30 °C - +105 °C

R+M Nr.	
701 880 951	

Filter housings without cartridge filter

Plastic Brass / plastic Stainless steel



2-pieces. With drain.
Female thread brass.
Max. 10 bar / 50 °C

R+M Nr.	★	⊙	fi	↑
734 50	■	3/4"	5"	188
734 60	■	1"	5"	188
734 70	■	3/4"	9.3/4"	310
734 80	■	1"	9.3/4"	310
734 820 034	■	3/4"	20"	583
734 820 001	■	1"	20"	583



3-pieces. With drain.
Female thread brass.
Max. 10 bar / 40 °C

R+M Nr.	★	⊙	fi	↑
734 290 03	■	3/4"	5"	207
734 290 11	■	1"	5"	207
734 290 04	■	3/4"	9.3/4"	337
734 290 05	■	1"	9.3/4"	337



3-pieces. With drain. Head nickel-plated brass. Filter cup plastic.
Max. 15 bar / 40 °C

R+M Nr.	★	⊙	fi	↑
734 330 2	■	1"	9.3/4"	315



3-pieces. With drain, key for housing and mounting bracket.
Max. 20 bar / 120 °C

R+M Nr.	★	⊙	fi	↑
734 304 1	■	1"	9.3/4"	350

Screen housings



Filter 2-pieces. Plastic. Max. 50 °C

R+M Nr.	★	(TYP)
734 504	■	small*
734 704	■	big*



Filter 3-pieces. Plastic. Max. 40 °C

R+M Nr.	★	(TYP)
734 200 13	■	small**
734 200 14	■	big**
734 330 21	■	big**

O-ring



R+M Nr.	★
734 506	■
734 510	■
734 200 70	■
734 304 11	■

Centering unit



R+M Nr.	★
734 210 36	■

Mounting brackets



Single. Zinc-plated steel

R+M Nr.	★
734 299 02	■



Single. Plastic

R+M Nr.	★
734 507	■



Double. Plastic

R+M Nr.	★
734 508	■

Keys for housing



For plastic head. For 2 pieces filter housing.

R+M Nr.	★
734 505	■



For brass head. For 3 pieces filter housing.

R+M Nr.	★
734 300 1	■
734 299 01	■

* with o-ring ** without o-ring

Cartridge filter



Plastic cleanable. Reinforced version.
Max. 40 °C

R+M Nr.	★	fi	microns	↓
734 293 00	■ ■	5"	60	125
734 293 02	■ ■ ■ ■	9.3/4"	60	250
734 293 03	■ ■ ■ ■	9.3/4"	120	250



Plastic cleanable.
Max. 40 °C

R+M Nr.	★	fi	microns	↓
734 55	■	5"	60	128
734 54	■	5"	150	128
734 75	■ ■ ■ ■	9.3/4"	60	250
734 74	■ ■ ■ ■	9.3/4"	150	250



Cotton.
Max. 40 °C

R+M Nr.	★	fi	microns	↓
734 57	■	5"	5	128
734 56	■	5"	20	128
734 77	■ ■ ■ ■	9.3/4"	5	250
734 76	■ ■ ■ ■	9.3/4"	30	250



Polypropylene. Max. 40 °C

R+M Nr.	★	fi	microns	↓
734 720 006	■	20"	5	510
734 720 050	■	20"	50	510



Stainless steel. Max. 120 °C

R+M Nr.	★	fi	microns	↓
734 709 050	■ ■ ■ ■	9.3/4"	50	250



Iron remove filter

R+M Nr.	★	fi	microns	↓
734 709 060	■ ■ ■ ■	9.3/4"	250	



Water softener. Polyphosphate

R+M Nr.	★	fi	microns	↓
734 58	■ ■	5"		125

The higher the number of microns the more coarsely meshed are the meshes: 500 microns = coarse . 50 microns = fine

Symbols ★ marking fi filter ○ thread ↓ height TYP type

easywash365+ wash brushes - large areas are completely clean from now on!

By means of a very wide work surface of approx. 260 x 80 mm the **easywash365+** wash brush is especially designed for the efficient cleaning of large areas such as railway carriages, tramcars, omnibuses, caravans, trucks, boats and ships, facades, greenhouses as well as vehicles, motorcycles and many more.

Fine and extremely soft natural bristles with split ends ensure an especially gentle cleaning of sensitive surfaces such as windows and car finish. The solid body of the **easywash365+** wash brush consists of 152 bristle bundles which are attached undetachably by means of multi-component synthetic resin.

Our **easywash365+** wash brush convinces all users working in the self-service foam- and prewash of an ideal and very easy handling. The soft coating of the body made out of thermoplastic elastomer demonstrably protects sensitive surfaces from damages.

The inlet of the **easywash365+** wash brush is equipped with a brass insert with 1/4" female thread which is fixed in the body. By means of an additional grub screw the high pressure lances available at self-service bays are safe from twisting and theft. Therefore, the grub screw needs to be screwed to the lance tube. **Further fastening plates or protection against theft are not required.**

13 outlet ports at the bottom of the **easywash365+** wash brush enable the required water flow and guarantee a convincingly good foam quality at the same time.



Wash brushes



A= 270. B= 260 x 80 mm. Hog hair.
Max. 40 l/min / 60 °C

R+M Nr.	C	ⓐ
200 023 550	60 mm	1/4" F



A= 270. B= 260 x 80 mm. Hog hair.
Max. 40 l/min / 60 °C

R+M Nr.	C	ⓐ
200 023 650	90 mm	1/4" F



A= 270. B= 260 x 80 mm. Hog hair / synthetic.
Max. 40 l/min / 60 °C

R+M Nr.	C	ⓐ
200 023 660	90 mm	1/4" F

Wash brushes

Wash brushes



A= 260. B= 230 x 80 mm. Hog hair.
Max. 50 °C

R+M Nr.	C
200 023 500	60 mm
200 023 600	90 mm

Wash brush with cover



A= 260. B= 230 x 80 mm. Hog hair.
Max. 50 °C

R+M Nr.	C	ⓐ
200 023 710	60 mm	1/4" F



A= 260. B= 230 x 80 mm. Hog hair.
With stainless steel frame.
Max. 50 °C

R+M Nr.	C	ⓐ
200 023 735	60 mm	1/4" F



A= 260. B= 230 x 80 mm. Hog hair.
With stainless steel frame.
Max. 50 °C

R+M Nr.	C	ⓐ
200 023 736	90 mm	1/4" F

Covers



Cover suitable as theft protection for wash brushes. Plastic.
Max. 50 °C

R+M Nr.	B ⇄
020 001 540	230 mm

Frames for wash brushes



Frame with fixing bolts. Stainless steel.
Max. 60 °C

R+M Nr.	B ⇄	ⓐ
200 023 560	230 mm	1/4" F



Frame. Stainless steel.
Max. 60 °C

R+M Nr.	B ⇄	ⓐ
200 023 570	230 mm	1/4" F

Telescopic lances and wash brushes

Telescopic lances with coarse thread



Telescopic lances with coarse thread. Telescopic handle without water flow

R+M Nr.	↔	⊙
525 050	900 - 1,800 mm	
525 070	1,800 - 3,600 mm	
525 085	1,800 - 5,400 mm	
525 100	2,400 - 7,200 mm	



Telescopic lances with coarse thread. Telescopic handle with water flow

R+M Nr.	↔	⊙
525 200	900 - 1,800 mm	coupler plug "universal"
525 300	1,800 - 3,600 mm	coupler plug "universal"

Wash brushes with coarse thread



Bristles 60 mm. Soft. 250 x 80 mm

R+M Nr.	VPE
525 000	1



Bristles 60 mm. Hard. 250 x 80 mm

R+M Nr.	VPE
525 010	1

R+M EcoLine with coarse thread



Bristles 60 mm. Hard. 250 x 80 mm

R+M Nr.	VPE
525 015	1
525 016	6

Accessories for telescopic lances with coarse thread



Screw connection

R+M Nr.
525 901



Angle adaptor

R+M Nr.
525 040



Ball valve. 3/4" F : 3/4" M. Brass

R+M Nr.
726 420

Further telescopic lances are on page 257 and further wash brushes are on pages 284 - 287.

Symbols ⊙ thread ↔ length VPE packing unit ⊕ inlet

Vorwerk lances and wash brushes

The original



Extension pipe with water flow

R+M Nr.	↔	↻	⊗
523 790 1	1000 mm	1/4" M	1/4" F
523 790 2	1500 mm	1/4" M	1/4" F
523 790 3	2000 mm	1/4" M	1/4" F

Vorwerk wash brushes



A= 300. B= 300 x 100 mm. Nylon

R+M Nr.	C	⊗
523 780	60 mm	1/4" F



A= 240. B= 230 x 80 mm. Hog hair

R+M Nr.	C	⊗
523 70	60 mm	1/4" F
523 75	90 mm	1/4" F

Brush. A= 260. B= 230 x 80 mm.
Hog hair

R+M Nr.	C
523 72	60 mm
523 73	90 mm

Frame. 260 mm.
Aluminium

R+M Nr.	⊗
523 76	1/4" F

Adaptor

Adaptor for lances with coarse thread.
Coarse thread : 1/4" M

R+M Nr.
010 003 610

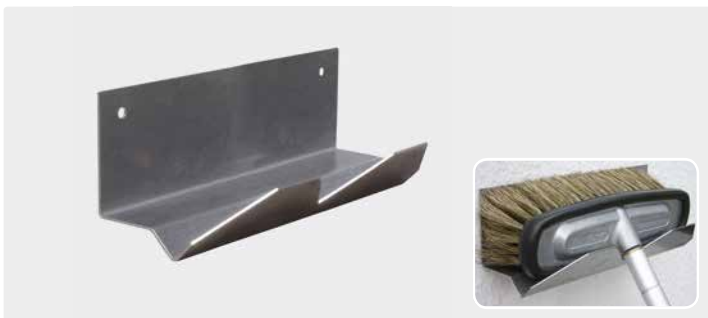
Air injector



1/4" M : 1/4" F. Flow at 100 bar

R+M Nr.	↻	⊗
108 290 60	13 l/min	1.5
108 290 20	34 l/min	2.5

Brush holder

Suitable for all brushes. Hole spacing 202 mm.
H x W x D = 90 x 250 x 100 mm

R+M Nr.	M
108 290 30	stainless steel

easywash365+ brush holder



Container with overflow and lateral drain for cleaning. For wall and floor mounting. H x W x D = 670 x 340 x 143 mm

R+M Nr.	M
105 810	stainless steel

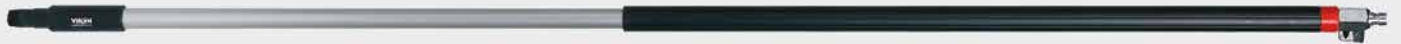
Symbols ⊗ inlet ↻ outlet ↔ length ↔ flow ⊗ diameter M material ℃ temperature

Handles with water flow



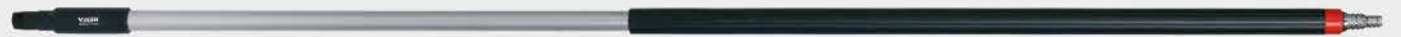
Aluminium handle. Ergonomic handle with insulated grip. Connector suitable for Nito system

R+M Nr.	∅	↔	M	°C
527 001 405	34 mm	1020 mm	aluminium	max. 50 °C



Aluminium handle. Ergonomic handle with insulated grip and ball valve. Connector suitable for Nito system

R+M Nr.	∅	↔	M	°C
527 001 406	34 mm	1630 mm	aluminium	max. 50 °C



Aluminium handle. Ergonomic handle with insulated grip. Hose tail suitable for 1/2" and 3/4" hose

R+M Nr.	∅	↔	M	°C
527 001 400	34 mm	1600 mm	aluminium	max. 50 °C



Aluminium handle. Telescopic handle with insulated grip. Hose tail suitable for 1/2" and 3/4" hose

R+M Nr.	∅	↔	M	°C
527 001 402	50 mm	1630 - 2750 mm	aluminium	max. 50 °C

Handles without water flow



Aluminium handle. Ergonomic handle with insulated grip

R+M Nr.	∅	↔	M	°C
527 001 403	34 mm	1500 mm	aluminium	max. 50 °C



Aluminium handle. Telescopic handle with insulated grip

R+M Nr.	∅	↔	M	°C
527 001 401	50 mm	1630 - 2750 mm	aluminium	max. 50 °C

Wash brushes with water flow

Hand wash brush



Brush with integrated water flow. Connection suitable for 16 mm (universal). Ideal for smaller cleaning applications. Bristles 50 mm

R+M Nr.	↔	(M)	°C
527 001 103	350 mm	polyester	max. 50 °C

Rim brush for trucks / busses



Brush for the cleaning of rims of trucks and busses. Connection for aluminium handles. Bristles 50 mm

R+M Nr.	↔	(M)	°C
527 001 102	230 mm	polyester	max. 50 °C

High-low wash brush



The form of the brush assures that the bristles are in constant contact with the surface. The brush is equipped with a rubber edge. Connection for aluminium handles. Bristles 50 mm

R+M Nr.	↔	(M)	°C
527 001 104	250 mm	polyester	max. 50 °C

Wash brush swivelling



Brush with swivel. The inclined/slanted bristles ensure that all corners can be reached. The brush is equipped with a rubber edge. Connection for aluminium handles. Bristles 50 mm

R+M Nr.	↔	(M)	°C
527 001 101	200 mm	polyester	max. 50 °C

Wash brush



Solid brush suitable for larger surfaces. Suitable for cleaning of upper areas. The brush is equipped with a rubber edge. Connection for aluminium handles. Bristles 50 mm

R+M Nr.	↔	(M)	°C
527 001 109	260 mm	polyester	max. 50 °C



Solid brush suitable for larger surfaces. Suitable for cleaning of upper areas. The brush is equipped with a rubber edge. Connection for aluminium handles. Bristles 50 mm

R+M Nr.	↔	(M)	°C
527 001 100	400 mm	polyester	max. 50 °C

Further brushes and brooms are presented in the chapter car wash.

Quick couplings suitable for Nito system



Hose tail for 1/2" hose

R+M Nr.	(M)
527 003 001	nickel-plated brass



Plug 1/2" M

R+M Nr.	(M)
527 003 003	nickel-plated brass

Symbols ↔ length (M) material °C temperature ⊙ thread ⊞ volume

Foam gun



Applications

Designed for applications with acidic and caustic cleaner, soaps, disinfectants, degreasing and softening agents. The field of application is very versatile.

- » Food industry and canteen kitchen
- » Sanitary facilities and swimming baths
- » Cleaning of trucks, cars and other vehicles
- » Garages and petrol stations
- » Shops and workshops

The foam gun directly connected to the public water pipe produces a cleaning foam by means of foam injector. The water pressure sucks in the cleaning agent and air, both are being mixed to consistent foam, sprayed out via the spraying head and the foam wand. The cleaning agent can also purposely and automatically be diluted via a built-in proportioner so that the right mixture of chemical and water as foam can be chosen for the cleaning application.

Technical specifications

Water pressure 2.5 - 6 bar (for maximum accuracy 3 - 4 bar)

Output 5.5 l/min

Mixing Ratio

Multi-ratio dial has 5 mixing settings and off



A	B	C	D	E	0
1:128	1:64	1:32	1:20	1:10	off

Features

- » Exceptional chemical resistance to acidic and caustic cleaner.
- » Foam generating wand creates a thick clinging foam.
- » Automatic dosing of chemicals.
- » Durable polymer mixing head with stainless steel screws.
- » Multi-ratio dial has 5 mixing settings and off.
- » Anti-siphon built into handle.
- » Gun is removable from quick coupling for clear rinsing with water.
- » Easy filling by means of wide mouth.
- » Only works with water pipe pressure.
- » Suitable for all customary water couplings.

R+M Nr.	☉	🗑️
106 996 500	incl. coupler plugs "universal"	1 l

Please use the backflow preventer (R+M Nr. 734 10) on page 26.

