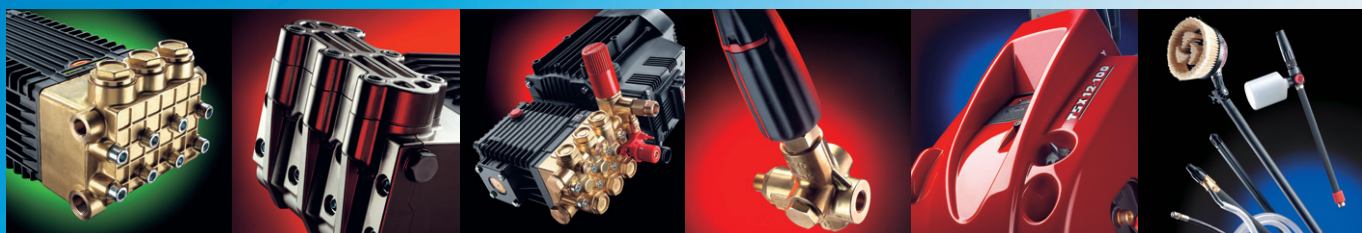




INTERPUMP GROUP



**SPARE PARTS CATALOGUE
CATALOGUE PIECES DETACHEES
ERSATZTEILKATALOG
CATALOGO DE REPUESTOS
CATALOGO RICAMBI**



**SPARE PARTS CATALOGUE
CATALOGUE PIECES DETACHEES
ERSATZTEILKATALOG
CATALOGO DE REPUESTOS
CATALOGO RICAMBI**

COD. 32.0010.03 – 08/16 - REV.4

INTERPUMP GROUP - GENERAL PUMP

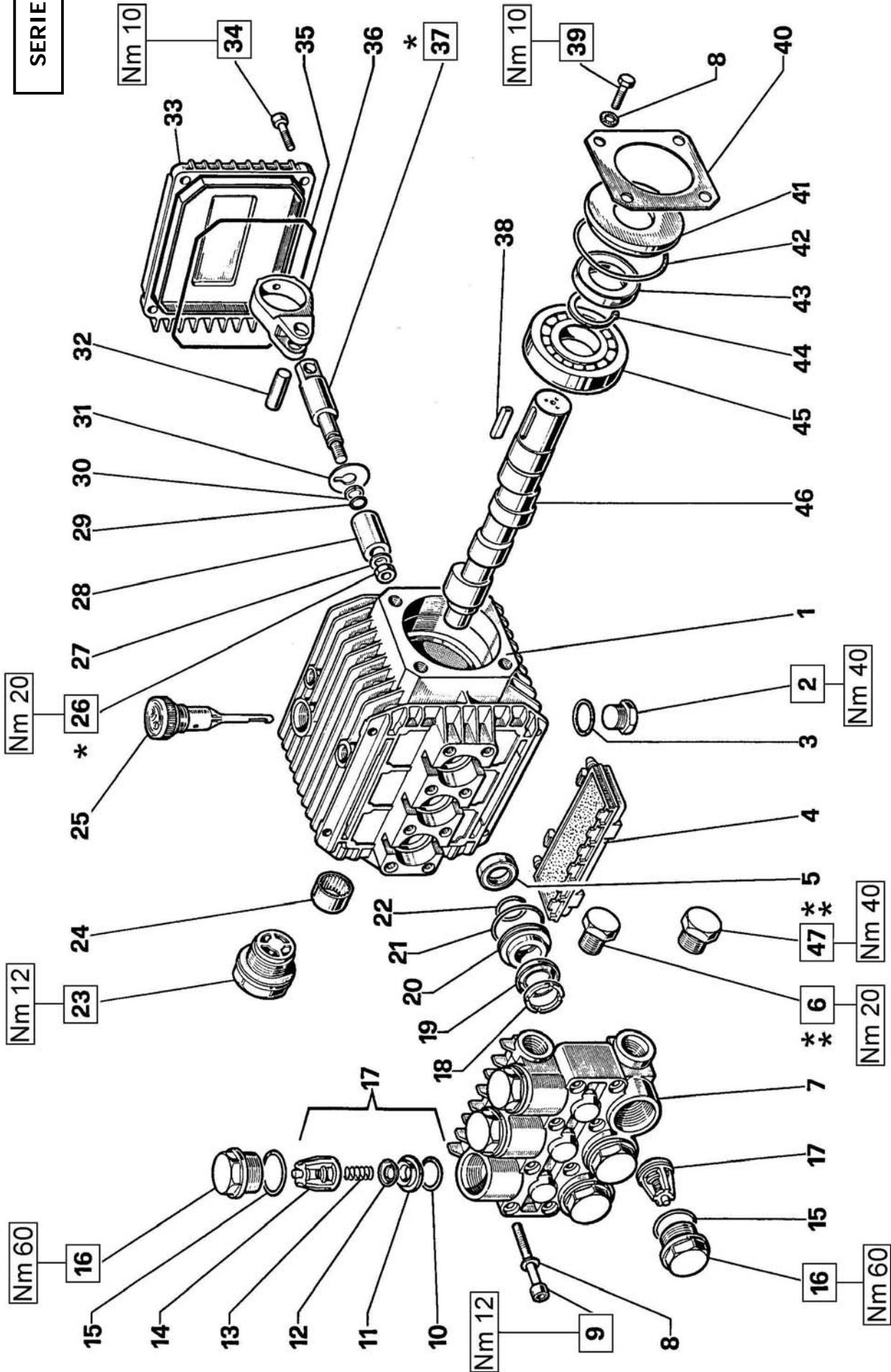
POMPE - PUMPS

MOD.	PAG.	MOD.	PAG.	MOD.	PAG.	MOD.	PAG.	MOD.	PAG.
E1B1611	33	E3B1021	59	T9961	19	W151	67	WS162	71
E1B1612	33	E3B1218	59	T9971	19	W154	39-45	WS1630	81
E1B1613	33-35	E3B1515	59	TS1011	75	W154HH	41	WS171	69
E1B1614	33	E3B1713	59	TS1021	75	W1550	91-96	WS201	69
E1B1807	33-35	E3B1911	59	TS1041	105	W16180	39-45	WS202	69
E1B1808	33-35	E3B2118	61	TS1311	75	W162	67	WS251	83
E1B1809	33	E3B2121	61	TS1321	77	W163	87	WS252	83
E1B1810	33-35	E3B2511	61	TS1331	75	W170	39-45	WS82	69
E1C1609	33-35	E3B2513	61	TS1351	85	W200	39-45	WS92	71
E1C1612	33-35	E3B2515	61	TS1371	19	W201	67	WW116	39-45
E1C1613	33	E3C1021	59	TS1491	19	W203	85	WW136	39-45
E1C1614	33	E3C1218	59	TS1511	75	W2030	89-95	WW141	17
E1C1808	33-35	E3C1515	59	TS1521	75	W2035	89	WW1508	3-5
E1C1810	33	E3C1713	59	TS1531	105	W204	39-45	WW1509	3
E1C1811	33	E3C2513	61	TS1621	77	W2141	89	WW1510	3-5
E1D1807	33	E3C2515	61	TS1711	75	W2525	89-95	WW1511	3-5
E1D1808	33-35	E3C2518	61	TS2011	75	W3018	89	WW1513	3-5-6
E1D1810	33-35	E3C2521	61	TS2021	75	W3021	89-95	WW156	39-45
E1D1811	33-35	E3E2517	61-63	TS821	75	W3025	89-95	WW161	17
E1D1813	33-35	E3E2520	61-63	TS921	77	W3521	93-97	WW176	39-45
E1D1814	33	E3E2813	61-63	TT1411	21	W3523	93	WW186	39-45
E1E1808	33-35-36	E3E2815	63-63	TT1508	3-6	W4	99-101	WW189	39
E1E1810	33	EH1413	23-25	TT1510	3-6	W4015	93-97	WW206	39-45
E1E1811	33-35-36	EH1416	23-25	TT1511	3-6	W4018	93	WW209	39-45
E1E1812	33-35-36	EH1708	9-11	TT1512	3-6	W4518	93	WW55	1-5
E1E1813	33-36	EH1710	9-11	TT1513	3-6	W5015	93-97	WW56	1-5
E1E1814	33	EH1711	9-11	TT1611	21	W5018	93	WW74	1-5
E1E2111	33-36	EH1713	9-11	TT551	1-5	W70	15	WW75	1-5
E1E3106	33-35	EH2009	23-25	TT561	1-5	W71	15	WW90	1-5
E1E3107	33	EH2011	23-25	TT741	1-5	W827	103	WW906	1-5-6
E1E3108	33	EL1403	23-25	TT751	1-5	W905	1-5	WW907	1-5-6
E1E3109	33	EL1411	23-25	TT901	1-5	W91	15	WW909	1-6
E1E3110	33	EL1510	9-11	TT9061	1-5-6	W912	69	WW93	1-5
E1E3111	33	EL1513	9-11	TT9071	1-5-6	W913	69	WW935	17
E1E3112	33	EL1707	9-11	TT9091	1-6	W914	69	WW94	1-5
E1E3113	33	EL1708	9-11	TT931	1-5	W916	69	WW944	17
E2B1618	53	EL1713	23-25	TT9351	21	W92	67	WW95	1-5
E2B1711	53-55	EL1714	23-25	TT941	1-5	W921	69	WW960	39-46
E2B1712	53-55	EL2002	23-25	TT9441	21	W922	69	WW961	39-46
E2B1713	53-55	EL2007	23-25	TT951	1-5	W928	79	WW962	39-46
E2B2008	51-55	EL2009	23-25	UH1708	9-11-12	W950	39-45	WW963	43-46
E2B2010	51-55	T1011	73	UH1710	9	W951	39-45	WW964	43-45-46
E2B2014	53-55	T1209	3-5	UH1711	9-11-12	W952	39-45	WW965	43-45-46
E2B2042	53	T1212	3-5	UH1712	9-11-12	W953	39-45		
E2B2808	51-55	T1311	73	UH1713	9-12	W954	39-45		
E2C1713	53-55	T1321	73	UH2008	23-26	W955	39-45		
E2C1714	53-55	T1508	3-5	UH2011	23-26	W956	39-45		
E2C1715	53-55	T1511	73	UH2013	23-26	W957	39-45		
E2C2016	53	T1621	73	UH2014	23-26	W958	39-45		
E2C2109	51-55	T1631	87	UH2016	23-26	W959	39-45		
E2C2111	51-55	T1750	89	UL1413	23-25	W97	39-45		
E2C2112	51	T2011	73	UL1509	9-11	W98	15		
E2C2809	51	T2031	85	UL1512	9-11-12	W99	15		
E2D2010	51-55	T2040	89	UL1708	9-11	W995	15		
E2D2011	51-55	T2530	89-95	UL1710	9	W996	15		
E2D2013	51-55	T2535	89	UL1715	23-25	W997	15		
E2D2015	51-55	T2830	89-95	UL1716	23-27	WK12	119		
E2D2016	51-55	T3025	89-95	UL2009	23-25	WK15	119		
E2D2810	51-55	T3031	89	UL2011	23-25	WK155	115		
E2D2811	51-55	T4018	93-97	W100100H	111	WK159	119		
E2D2812	51-55	T41	99-101	W101	67	WK355	127		
E2D2813	51-55	T5015	93	W103	107	WK525	123		
E2E2108	51-56	T5018	93-97	W103CW	109	WK530	123		
E2E2111	51-56	T701	19	W112	39-45	WK6	115		
E2E2113	51-56	T711	19	W12070H	111	WK8	115		
E2E2114	51-56	T8271	103	W1208	3-5	WS101	69		
E2E2116	51-56	T9051	1-5	W1210	3-5	WS102	69		
E2E2808	51-56	T911	19	W124	39-45	WS104	105		
E2E2810	51-56	T9121	75	W130	39-45	WS131	69		
E2E2811	51-56	T9131	75	W130HH	41	WS132	71		
E2E2812	51-56	T9161	75	W131	67	WS133	69		
E2E2813	51-56	T921	73	W132	67	WS135	85		
E2E2815	51-56	T9211	75	W140	39-45	WS137	15		
E3A1515	59	T9281	79	W140HH	41	WS149	15		
E3A1713	59	T981	19	W14200	39-45	WS151	69		
E3A2113	61	T991	19	W150	39-45	WS152	69		
E3A2115	61	T9951	19	W1507	3-5	WS153	105		

INTERPUMP GROUP - GENERAL PUMP							
POMPE SPECIALI - SPECIAL PUMPS							
MOD.	PAG.	MOD.	PAG.	MOD.	PAG.	MOD.	PAG.
<i>SS Series</i>		SSE1413	137-139	<i>HT Series</i>		<i>AGRI Series</i>	
SS1B1505	133	SSE1414	137-139	HT4715	161	AB100	259
SS1B1507	133	SSE1505	137-139	HT4718	161	AB110	259
SS1B1509	133	SSE1507	137-139	HT4721	161	AB120	259
SS1B1511	133	SSE1509	137-139	HT4723	161	AB140	259
SS1B1513	133	SSE1518	131	HT6004	163	AB150	259
SS1B1514	133	SSE2013	131	HT6007	163	AB180	259
SS1C1509	133	SSE2015	131	HT6008	163	AB80	259
SS1C1511	133	SSE2021	131	HT6628	167-169	AB90	259
SS1C1513	133	SSE2025	141-143	HT6635	167	T12	249
SS1C1515	133	SSE2030	141-143	HT6639	167	T33	253
SS3B2015	135	SSE2035	141	HT6646	167	T44	255-257
SS3B2018	135	SSE2041	141	HT6968	171	T55	255-257
SS3B2021	135	SSU1413	137	HT7095H	173	<i>CAR WASH Series</i>	
SS3B2030	135	SSU1415	137	HT71150	177	C2W2011	181
SS3C2015	135	SSU1509	137	HTS6311	165	C2W2012	181
SS3C2018	135	SSU1511	137	HTS6313	165	C2W2013	181
SS3C2021	135	SSU1521	131	HTS6315	165	C3W2013	183
SS7030	145	SSU2015	131	<i>MISTING Series</i>		C3W2015	183
SS7037	145	SSU2018	131	FE5101	185-187	C3W2021	183
SS7045	145	SSU2030	141-143	FE5102	185-187		
SS7061H	149	SSU2035	141	FE5104	185-187		
SS7070H	149	SSU2040	141	FE5106	185-187		
SS7091H	149	SSU2050	141	FE5108	185-187		
SS71106	153			FE6004	189-191		
SS71153	157			FE6006	189-191		
SS71170	157			FE6008	189-191		
SS7193	153			FE6010	189-191		
SSE1411	137-139			FE6012	189-191		

INTERPUMP GROUP							
MOTOPOMPE - MOTORPUMPS IDROPULITRICI - HIGH PRESSURE CLEANERS						ACCESSORI ACCESSORIES	
MOD.	PAG.	MOD.	PAG.	MOD.	PAG.	MOD.	PAG.
<i>TURBO Series</i>		<i>BLUETIME Series</i>		<i>GREENJET Series</i>		KR	278
TURBO 8/70	193	BLUETIME BT10	233	GREENJET GX10	233	KRT	279
TURBO 8/90	197	BLUETIME BT11	233	GREENJET GX11	233	LANCE STANDARD	287
TURBO 10/100	195	BLUETIME BT22	233	GREENJET GX22	233	LANCIA DOPPIA	286
TURBO 11/120	199	BLUETIME BT24	233	GREENJET GX24	233	M.PTO	294
TURBO 11/50	193	BLUETIME BT26	233	GREENJET GX26	233	MULTIREG 99	290
TURBO 11/70	197	<i>BOXJET Series</i>		ACCESSORI-ACCESSORIES		P10	283
TURBO 13/90	199	BOXJET 8/70	213	ACCUMULATORE	292	P11	283
TURBO 15	195	BOXJET 8/90	213	ATTACCO RAPIDO	293	P3	282
TURBO 19	195	BOXJET 11/50	213	AVVOLGITUBO T-TX-IPX-TSX	307	P3X	282
TURBO 21	195	BOXJET TURBO 15	215	AVVOLGITUBO TX300-TX500	307	P560	284
TURBO 22	195	BOXJET TURBO 19	215	BH210	268	P560 CON SPALLIERA	285
<i>M Series</i>		BOXJET TURBO 21	215	BKX600	266	P6	299
M 10-130	205	<i>CLEANMATIC Series</i>		BRUSHKIT	297	P7	299
M 12-100	205	CLEANMATIC CL10	233	CARRELLO IP	305	PIMATIC	283
M 12-140	209	CLEANMATIC CL11	233	CARRELLO IPX	303	QUICK LANCE	286
M 13-180	209	CLEANMATIC CL22	233	CARRELLO TSX	304	RE44	295
M 14-120	209	CLEANMATIC CL24	233	CARRELLO T-TX	303	RMAX 750	289
M 15-150	209	CLEANMATIC CL26	233	CARRELLO TX300	306	ROBOKIM	287
M 17-130	209	<i>FLASH Series</i>		CARRELLO TX500	306	ROTOCLEANKIT	300
M 951	205	FLASH F122	229	CHEMKIT	300	ROTOMAX	288
M 954	205	FLASH F124	229	CONTROL SET W1	274	ROTOMAX 400	289
M 957	205	FLASH X117S	229	CONTROL SET W1L	275	ROTEK	290
M 960	209	FLASH X161	229	CONTROL SET W2	276	RS151	295
M 961	209	FLASH X220S	229	CONTROL SET W2L	276	RS500	296
<i>MISTING Series</i>		FLASH X230	229	CONTROL SET W3	277	RS500H	296
M51012	243	FLASH X240S	229	FILTRO	292	RS99	294
M51012F	237	<i>FORMULA Series</i>		FOAMER	297	S3	281
M51022	243	FORMULA F122	221	FOAMKIT	297	SANDKIT	298
M51022F	237	FORMULA F124	221	GIUNTI ELASTICI	301-302	SIMPLEX 3	293
M51042	245	FORMULA X117S	221	H253	269	SPEEDMATIC	291
M51042F	239	FORMULA X161	221	H253SS	272	SR	281
M51062	245	FORMULA X220S	221	H284	270	STOPMATIC	291
M51062F	239	FORMULA X230	221	H450	271	SX1	280
M60082	247	FORMULA X240S	221	H560	273	TESTINA SABBIANTE	292
M60082F	241	<i>GONG Series</i>		HM	267	TIMAX	280
<i>BIG BANG Series</i>		GONG F122	225	HX	267	TIMAX100	280
BIG BANG F122	217	GONG F124	225	HXM	267	TX LANCE	287
BIG BANG F124	217	GONG X117S	225	K1	261	VARIOJET	300
BIG BANG X117S	217	GONG X161	225	K1-2	262	VARIOJETKIT	300
BIG BANG X161	217	GONG X220S	225	K1-3	262	VARIOPRESS	288
BIG BANG X220S	217	GONG X230	225	K3	263	ZTXBRUSH	297
BIG BANG X230	217	GONG X240S	225	K5	263	ZTXFOAM	297
BIG BANG X240S				K7	264	ZTXSAND	298
				K9	265	ZUREG 3	288


SERIE 51



** Fissare con Loctite 542 col. ROSSO
 ** Affix with Loctite 542 col. RED
 ** Fixer avec de la Loctite 542 couleur ROUGE
 ** Mit Loctite 542 ROT befestigen
 ** Fijar con Loctite 542 col. ROJO
 ** Fixar com Loctite 542 cor. VERMELHA

* Fissare con Loctite 270 col. VERDE
 * Affix with Loctite 270 col. GREEN
 * Fixer avec de la Loctite 270 couleur VERT
 * Mit Loctite 270 GRÜN befestigen
 * Fijar con Loctite 270 col. VERDE
 * Fixar com Loctite 270 cor. VERDE

DIS. COD. 51.9541.00

	
WW55 - WW56 - WW74 - WW75 - WW90 - WW93 WW94 - WW95 - TT551 - TT561 - TT741 - TT751 TT901 - TT931 - TT941 - TT951 - W905 - WW906 WW907 - T9051 - TT9061 - TT9071 - WW909 - TT9091	

POS	COD.	DESCRIZIONE - DESCRIPTION - KIT	NR
1	51.0106.22	Carter pompa	1
2	98.2100.50	Tappo G 3/8"x13 TE22 Zinc.	1
3	90.3833.00	OR D. 13.95x2.62 NBR SH. 703056	2
4	51.2090.51	Protezione	1
5	90.1565.00	Anello rad. D. 15.0x24.0x5.0	83
6	98.2041.00	Tappo G 1/4"x9	2
7	51.1200.41 51.1200.22	Testata D. 15 Testata D. 15 - NICKEL	1
8	96.6938.00	Rondella D. 6.4x10.0x0.7	8
9	99.1943.00	Vite M6x40 UNI 5931	8
10	90.3841.00	OR D. 17.13x2.62 NBR SH. 70 3068	1 6
11	36.2003.66	Sede valvola	1 6
12	36.2001.76	Valvola sferica	1 6
13	94.7376.00	Molla Dm. 9.4x14.8	1 6
14	36.2002.51	Guida valvola	1 6
15	90.3847.00	OR D. 20.24x2.62 NBR SH. 70 3081	84 6
16	98.2218.00	Tappo M24x1.5x11	84 6
17	36.7032.01	Gr. valvola aspiraz./mandata	1 6
18	51.1000.51	Anello di testa D. 15	96-97 3
19	90.2620.00	Anello ten. alt. D. 15x25x5/3.1	96-97 3
20	51.0800.70	Anello di fondo D. 15	86-96 3
21	90.3604.00	OR D. 25.12x1.78 NBR SH. 70 2100	86-96-97 3

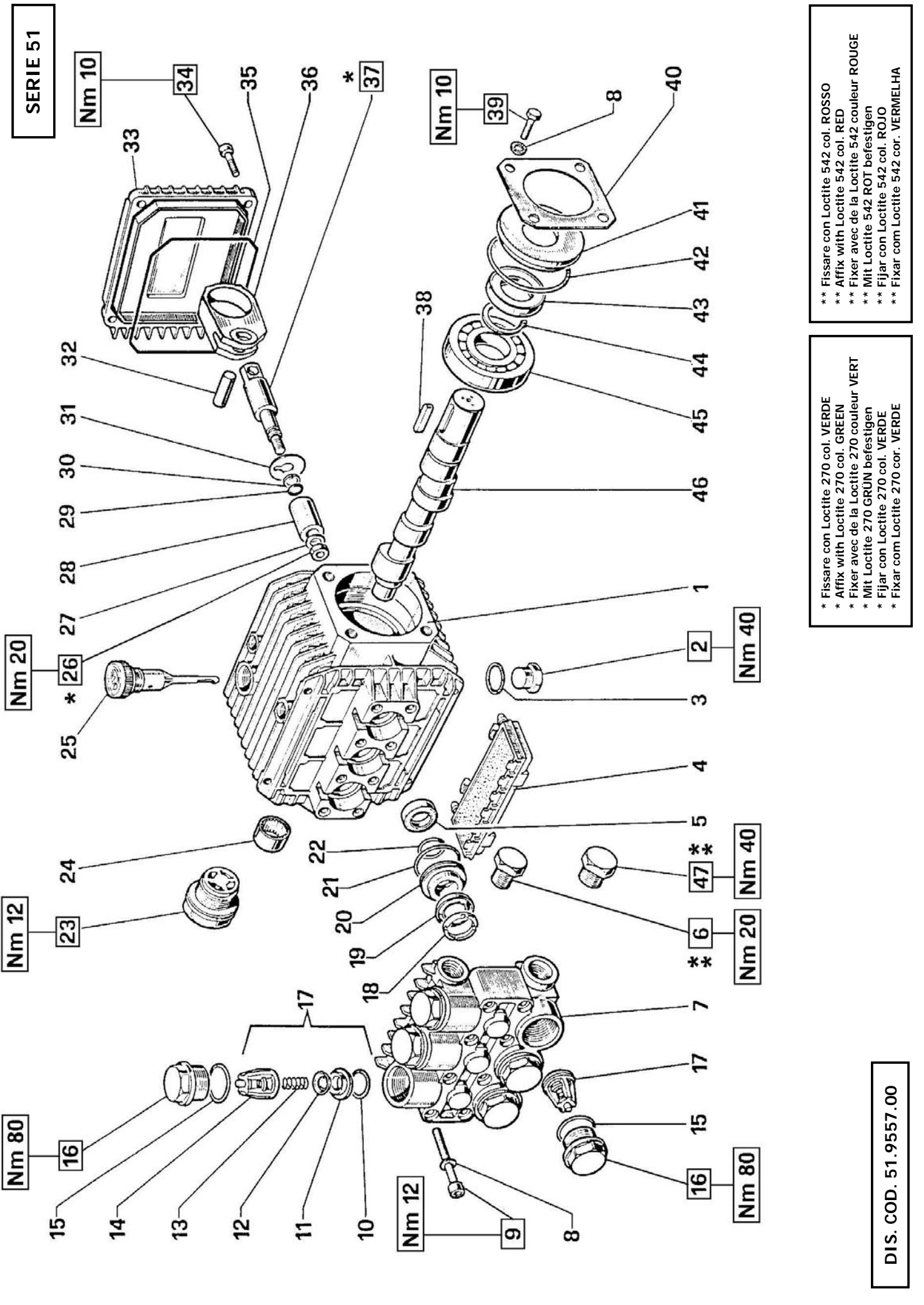
KIT RICAMBI - SPARE KITS

KIT Nr.	KIT 1	KIT 83	KIT 84	KIT 86	KIT 96	KIT 97
Posizioni include Positions included	10 - 11 12 - 13 14 (17)	5	15 - 16	20 - 21 22	18 - 19 20 - 21 22	18 - 19 21 - 22
Nr. Pcs.	6	3	6	3	1	3

POS	COD.	DESCRIZIONE - DESCRIPTION - KIT	NR
43	90.1634.00	Anello rad. D. 25.0x42.0x7.0	1
44	90.0635.00	Anello d'arresto A25	1
45	91.8328.00	Cuscinetto a sfere	1
46	51.0217.65 51.0204.65 51.0200.65	Albero ecc. C.7.2 - WW95 TT951 Albero ecc. C.9.4 - WW94 TT941 Albero ecc. C.6 - WW55 WW74 WW90 TT551 TT741 TT901	1
47	98.2100.00	Tappo G 3/8"x13	1

POS	COD.	DESCRIZIONE - DESCRIPTION - KIT	NR
22	90.3835.00	OR D. 15.08x2.62 NBR SH. 70 119 86-96-97	3
23	97.5968.00	Spia livello olio	1
24	91.8014.00	Boccola a rullini	1
25	98.2103.00	Tappo carico olio	1
26	92.2216.00	Dado M8x13x5 - INOX	3
27	44.2115.70	Rosetta D. 8 con collare	3
28	51.0400.09	Pistone D. 15x25	3
29	90.3573.00	OR D. 5.28x1.78 NBR SH. 70 2021	3
30	90.5022.00	Anello antiest. D. 6.2x9.0x1.5	3
31	96.7070.00	Rosetta D. 9.0x23.0x0.5	3
32	97.7310.00	Spinotto D. 8x24.5	3
33	51.1600.22	Coperchio posteriore	1
34	99.1867.00	Vite M6x18 UNI 5931	4
35	90.3917.00	OR D. 88.57x2.62 NBR SH. 70 3350	1
36	51.0300.22	Biella	3
37	51.0500.56	Guida pistone	3
38	91.4877.00	Linguetta 8x7x25 UNI 6604	1
39	99.1807.00	Vite M6x10 UNI 5937	4
40	50.1500.74	Coperchio carter	1
41	50.2115.51	Distanziale	1
42	90.4097.00	OR D. 55.56x3.53 NBR SH. 70 159	1


SERIE 51



** Fissare con Loctite 542 col. ROSSO
 ** Affix with Loctite 542 col. RED
 ** Fixer avec de la Loctite 542 couleur ROUGE
 ** Mit Loctite 542 ROT befestigen
 ** Fijar con Loctite 542 col. ROJO
 ** Fixar com Loctite 542 cor. VERMELHA

* Fissare con Loctite 270 col. VERDE
 * Affix with Loctite 270 col. GREEN
 * Fixer avec de la Loctite 270 couleur VERT
 * Mit Loctite 270 GRÜN befestigen
 * Fijar con Loctite 270 col. VERDE
 * Fixar com Loctite 270 cor. VERDE

DIS. COD. 51.9557.00



W1507 - WW1508 - WW1509 - WW1510 - WW1511 - WW1513 - W1208 - W1210 - T1508 - TT1508 - TT1510 - TT1511 - TT1512 - TT1513 - T1209 - T1212

KIT RICAMBI - SPARE KITS

KIT Nr.	KIT 83	KIT 123	KIT 157	PISTONE - PISTON D.15			PISTONE - PISTON D.18		
				KIT 86	KIT 96	KIT 97	KIT 139	KIT 140	KIT 141
Posizioni incluse Positions included	5	10-11 12-13 14 (17)	15-16	20-21 22	18-19 20-21 22	18-19 21-22	20-21 22	18-19 20-21 22	18-19 21-22
Nr. Pcs.	3	6	6	3	1	3	3	1	3

PISTONE - PISTON D. 15		PISTONE - PISTON D. 18	
W1507 - WW1508 - WW1509 - WW1510 WW1511 - WW1513 - TT1508 - TT1508 TT1510 - TT1511 - TT1512 - TT1513	W1208 - W1210 T1209 - T1212		

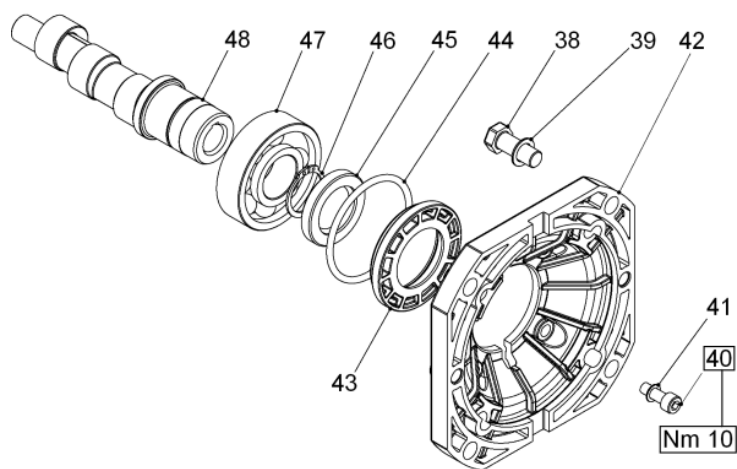
POS	COD.	DESCRIZIONE - DESCRIPTION - KIT	NR
1	51.0106.22	Carter pompa	1
2	98.2100.50	Tappo G 3/8"x13 TE Zinc.	1
3	90.3833.00	OR D. 13.95x2.62 NBR SH. 70 3056	2
4	51.2090.51	Protezione	1
5	90.1565.00	Anello rad. D. 15.0x24.0x5.0	83
6	98.2041.00	Tappo G 1/4"x9	2
7	51.1200.41 51.1204.41	Testata D. 15 Testata D. 18	1
8	96.6938.00	Rondella D. 6.4x10.0x0.7	8
9	99.1943.00	Vite M6x40 UNI 5931	8
10	90.3841.00	OR D. 17.13x2.62 NBR SH. 70 3068 123	6
11	36.2003.66	Sede valvola	123
12	36.2001.76	Valvola sferica	123
13	94.7376.00	Molla Dm. 9.4x14.8	123
14	36.2025.51	Guida valvola	123
15	90.3847.00	OR D. 20.24x2.62 NBR SH. 70 3081 157	6
16	98.2216.00	Tappo M24x1.5x11.2	157
17	36.7115.01	Gr. valvola aspiraz. / mandata	123

POS	COD.	DESCRIZIONE - DESCRIPTION - KIT	NR
18	51.1000.51 51.1001.51	Anello di testa D. 15 Anello di testa D. 18	96-97 140-141
19	90.2620.00 90.2681.00	Anello ten. alt. D. 15x25x5/3.1 Anello ten. alt. D. 18x26x5/3	96-97 140-141
20	51.0800.70 51.0803.70	Anello di fondo D. 15 Anello di fondo D. 18	86-96 139-140
21	90.3604.00	OR D. 25.12x1.78 NBR SH. 70 2100 86-96-97-139-140-141	3
22	90.3835.00 90.3843.00	OR D. 15.08x2.62 NBR SH. 70 119 OR D. 17.86x2.62 NBR SH. 70 123 86-96-97 139-140-141	3
23	97.5968.00	Spia livello olio	1
24	91.8014.00	Boccola a rullini	1
25	98.2103.00	Tappo carico olio	1
26	92.2216.00	Dado M8x13x5 - INOX	3
27	44.2115.70	Rosetta D. 8 con collare	3
28	51.0400.09 51.0401.09	Pistone D. 15x25 Pistone D. 18x25	3
29	90.3573.00	OR D. 5.28x1.78 NBR SH. 70 2021	3
30	90.5022.00	Anello antiest. D. 6.2x9.0x1.5	3
31	96.7070.00	Rosetta D. 9.0x23.0x0.5	3
32	97.7310.00	Spinotto D. 8x24.5	3
33	51.1600.22	Coperchio posteriore	1
34	99.1867.00	Vite M6x18 UNI 5931	4

POS	COD.	DESCRIZIONE - DESCRIPTION - KIT	NR
35	90.3917.00	OR D. 88.57x2.62 NBR SH. 70 3350	1
36	51.0301.22	Biella	3
37	51.0500.56	Guida pistone	3
38	91.4877.00	Linguetta 8x7x25 UNI 6604	1
39	99.1807.00	Vite M6x10 UNI 5937	4
40	50.1500.74	Coperchio carter	1
41	50.2115.51	Distanziale	1
42	90.4097.00	OR D. 55.56x3.53 NBR SH. 70 159	1
43	90.1634.00	Anello rad. D. 25.0x42.0x7.0	1
44	90.0635.00	Anello d'arresto A25	1
45	91.8328.00	Cuscinetto a sfere	1
46	51.0217.65 51.0204.65 51.0200.65 51.0201.65 51.0206.65 51.0224.65	Albero ecc. C.7.2 - W1208 WW1510 TT209 TT1512 Albero ecc. C.9.4 - W1210 W1507 WW1513 TT1212 TT1508 Albero ecc. C.6 - WW1508 TT1510 Albero ecc. C.8 - WW1511 TT1513 Albero ecc. C.6.6 - WW1509 TT1511 Albero ecc. C.5 - TT1508	1
47	98.2100.00	Tappo G 3/8"x13	1

VERSION A (for electric motors NEMA 56 C)

W905 - WW906 - WW907 - T9051 - TT9061
TT9071 - T1209 - T1212 - T1508



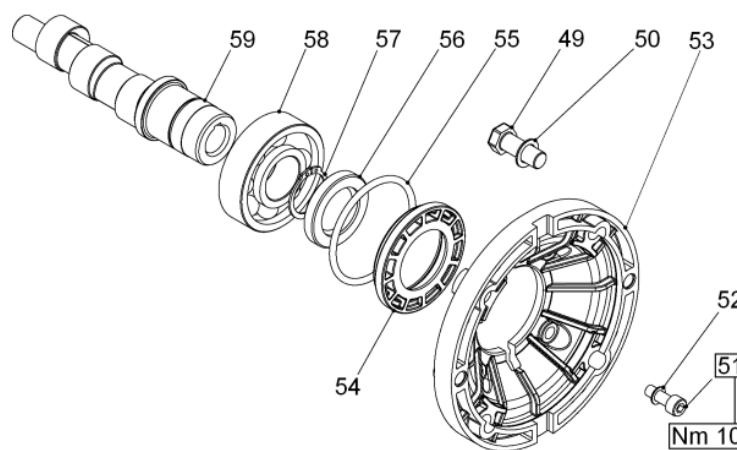
POS	COD.	DESCRIZIONE - DESCRIPTION	NR
38	99.3345.00	Vite 3/8"x16	4
39	96.7104.00	Rosetta D. 10,5x16.0x1.0	4
40	99.1867.00	Vite M6x18 UNI 5931	4
41	96.6938.00	Rosetta D. 6.4x10.0x0.7	4
42	10.0344.22	Flangia per motore elettrico	1
43	50.2115.51	Distanziale	1
44	90.4097.00	OR D. 55.56x3.53 NBR SH. 70 159	1
45	90.1644.00	Anello rad. D. 30.0x42.0x7.0	1
46	90.0667.00	Anello d'arresto A30	1
47	91.8373.00	Cuscinetto a sfere	1
48	51.0208.65 51.0209.65 51.0215.65 51.0225.65	Albero ecc. C.5 - WW906 TT9061 Albero ecc. C.6.6 - WW907 TT9071 Albero ecc. C.9.4 - W905 T9051 T1212 T1508 Albero ecc. C.7.2 - T1209	1

DIS. COD. 51.9517.00

SERIE 51

VERSION B (for electric motors IEC 90 B14)

WW55 - WW56 - WW74 - WW75 - WW90 - WW93
WW94 - WW95 - W1208 - W1210 - W1507
WW1508 - WW1510 - WW1511 - WW1513 - TT551
TT561 - TT741 - TT751 - TT901 - TT931 - TT941
TT951



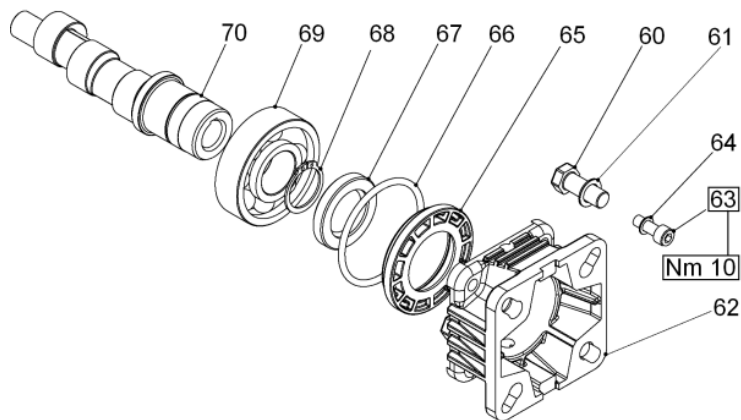
POS	COD.	DESCRIZIONE - DESCRIPTION	NR
49	99.3067.00	Vite M8x25 UNI 5739	4
50	96.7014.00	Rosetta D. 8.4x13.0x0.8	4
51	99.1867.00	Vite M6x18 UNI 5931	4
52	96.6938.00	Rosetta D. 6.4x10.0x0.7	4
53	10.0345.22	Flangia per motore elettrico	1
54	50.2115.51	Distanziale	1
55	90.4097.00	OR D. 55.56x3.53 NBR SH. 70 159	1
56	90.1644.00	Anello rad. D. 30.0x42.0x7.0	1
57	90.0667.00	Anello d'arresto A30	1
58	91.8373.00	Cuscinetto a sfere	1
59	51.0212.65 51.0213.65 51.0214.65 51.0216.65	Albero ecc. C.6 - WW55 WW74 WW90 TT551 TT741 TT901 WW1508 Albero ecc. C.8 - WW56 WW75 WW93 TT561 TT751 TT931 WW1511 Albero ecc. C.9.4 - WW94 TT941 W1210 W1507 WW1513 Albero ecc. C.7.2 - WW95 TT951 W1208 WW1510	1

DIS. COD. 51.9518.00

SERIE 51

VERSION C (for gasoline engines SAE J 609 type A ext.3)

WW906 - WW907 - WW909 - TT9061 - TT9071
TT9091 - TT1508 - TT1510 - TT1511 - TT1512
TT1513



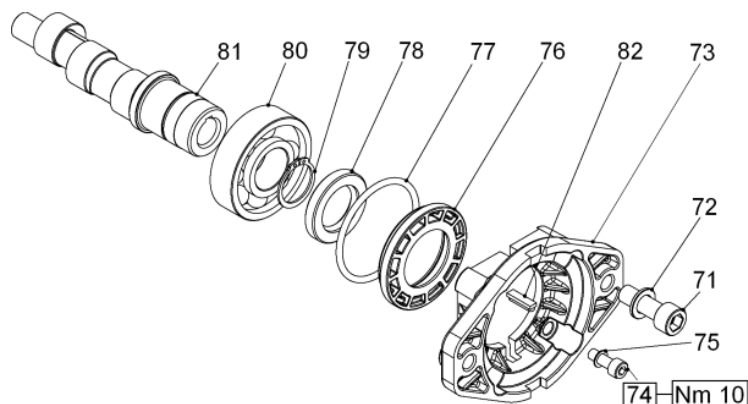
POS	COD.	DESCRIZIONE - DESCRIPTION	NR
60	99.2730.00	Vite 5/16"x3/4"x24	4
61	96.7014.00	Rosetta D. 8.4x13.0x0.8	4
62	10.0346.22	Flangia per motore a scoppio	1
63	99.1867.00	Vite M6x18 UNI 5931	4
64	96.6938.00	Rosetta D. 6.4x10.0x0.7	4
65	50.2115.51	Distanziale	1
66	90.4097.00	OR D. 55.56x3.53 NBR SH. 70 159	1
67	90.1644.00	Anello rad. D. 30.0x42.0x7.0	1
68	90.0667.00	Anello d'arresto A30	1
69	91.8373.00	Cuscinetto a sfere	1
70	51.0210.65	Albero ecc. C.5 - WW906 TT9061 TT1508	1
	51.0211.65	Albero ecc. C.6.6 - WW907 TT9071 TT1511	
	51.0218.65	Albero ecc. C.8 - WW909 TT9091 TT1513	
	51.0223.65	Albero ecc. C.6 - TT1510	
	51.0221.65	Albero ecc. C.7.2 - TT1512	

DIS. COD. 51.9519.00

SERIE 51

VERSION I (for hydraulic motors SAE J 744 type A – 5/8")

WW1513



POS	COD.	DESCRIZIONE - DESCRIPTION	NR
71	99.3686.00	Vite M10x30 UNI 5931	2
72	96.7103.00	Rosetta D. 10.5x18.0x2.0	2
73	10.0763.22	Flangia per motore idraulico	1
74	99.1867.00	Vite M 6x18 UNI 5931	4
75	96.6938.00	Rosetta D. 6.4x10.0x0.7	4
76	50.2115.51	Distanziale	1
77	90.4097.00	OR D. 55.56x3.53 NBR SH. 70 159	1
78	90.1644.00	Anello rad. D. 30.0x42.0x7.0	1
79	90.0667.00	Anello d'arresto A30	1
80	91.8373.00	Cuscinetto a sfere	1
81	51.0215.65	Albero ecc. C.9.4 - WW1513	1
82	91.4685.00	Linguetta 4/4.8x18	1

DIS. COD. 51.9585.00

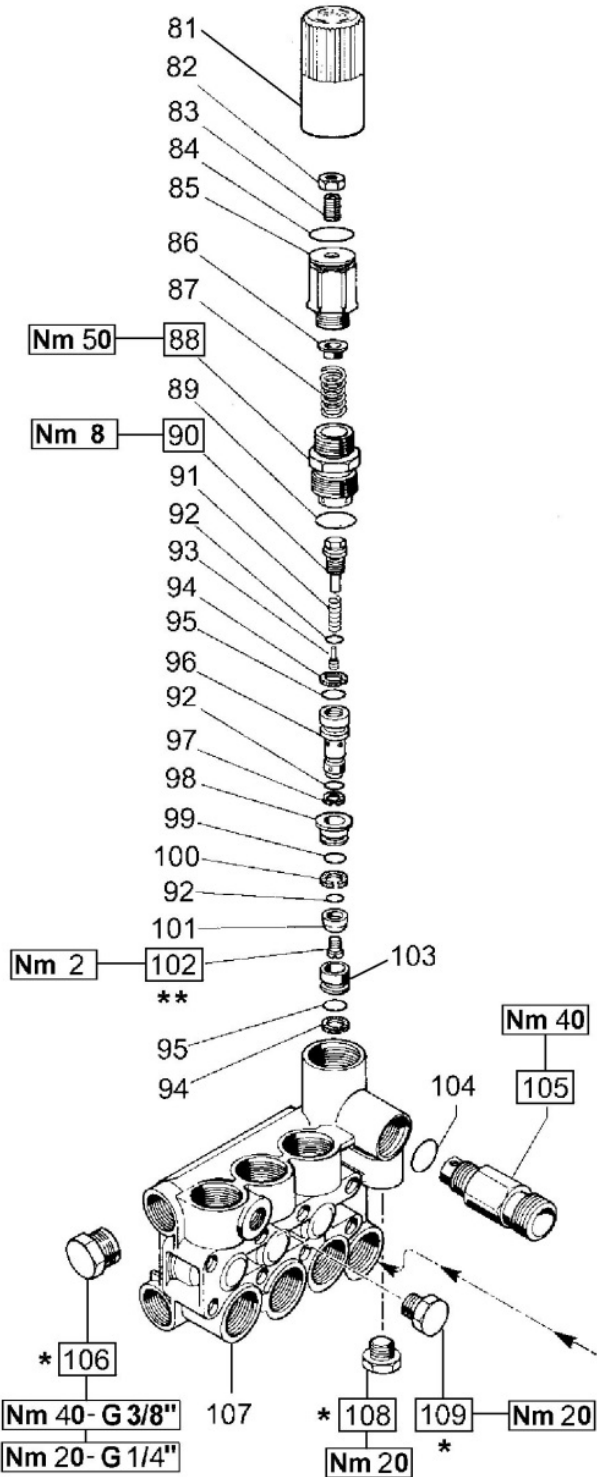
SERIE 51

VH VERSION

VERSIONE CON VALVOLA DI REGOLAZIONE AUT. - VERSION WITH BUILT-IN AUT. UNLOADER
 VERSION AVEC RÉGULATEUR AUT. DE PRESSION INCORPORÉ
 AUSFÜHRUNG MIT EINGEAUTEM AUT. DRUCKREGULIERVENTIL

VERSIÓN CON REGULADOR AUT. DE PRESIÓN INCORPORADO - VERSÃO COM VÁLVULA DO REGULAMENTO AUT

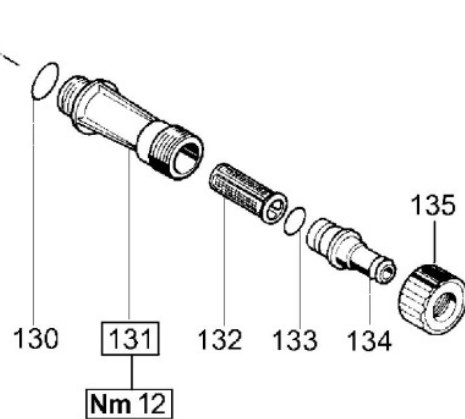
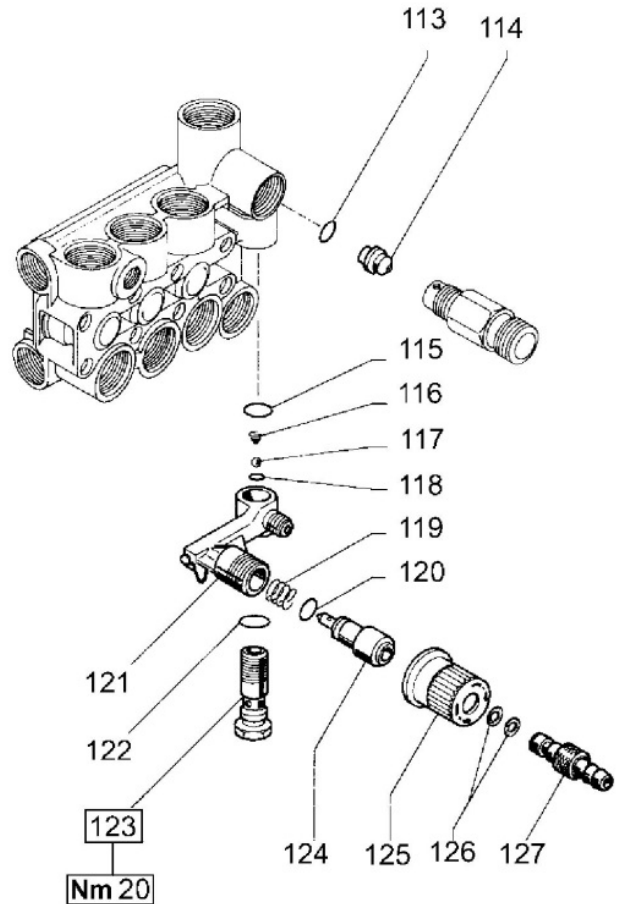
SERIE 51



* Fissare con Loctite 542 col. ROSSO
 * Affix with Loctite 542 col. RED
 * Fixer avec de la Loctite 542 couleur ROUGE
 * Mit Loctite 542 ROT befestigen
 * Fijar con Loctite 542 col. ROJO
 * Fixar com Loctite 542 cor. VERMELHA

** Fissare con Loctite 270 col. VERDE
 ** Affix with Loctite 270 col. GREEN
 ** Fixer avec de la Loctite 270 couleur VERT
 ** Mit Loctite 270 GRÜN befestigen
 ** Fijar con Loctite 270 col. VERDE
 ** Fixar com Loctite 270 cor. VERDE

OPTIONALS



DIS. COD. 51.9571.00

VH VERSION

**VERSIONE CON VALVOLA DI REGOLAZIONE AUT. - VERSION WITH BUILT-IN AUT. UNLOADER
VERSION AVEC RÉGULATEUR AUT. DE PRESSION INCORPORÉ
AUSFÜHRUNG MIT EINGEBAUTEM AUT. DRUCKREGULIERVENTIL
VERSIÓN CON REGULADOR AUT. DE PRESIÓN INCORPORADO - VERSÃO COM VÁLVULA DO REGULAMENTO AUT.**

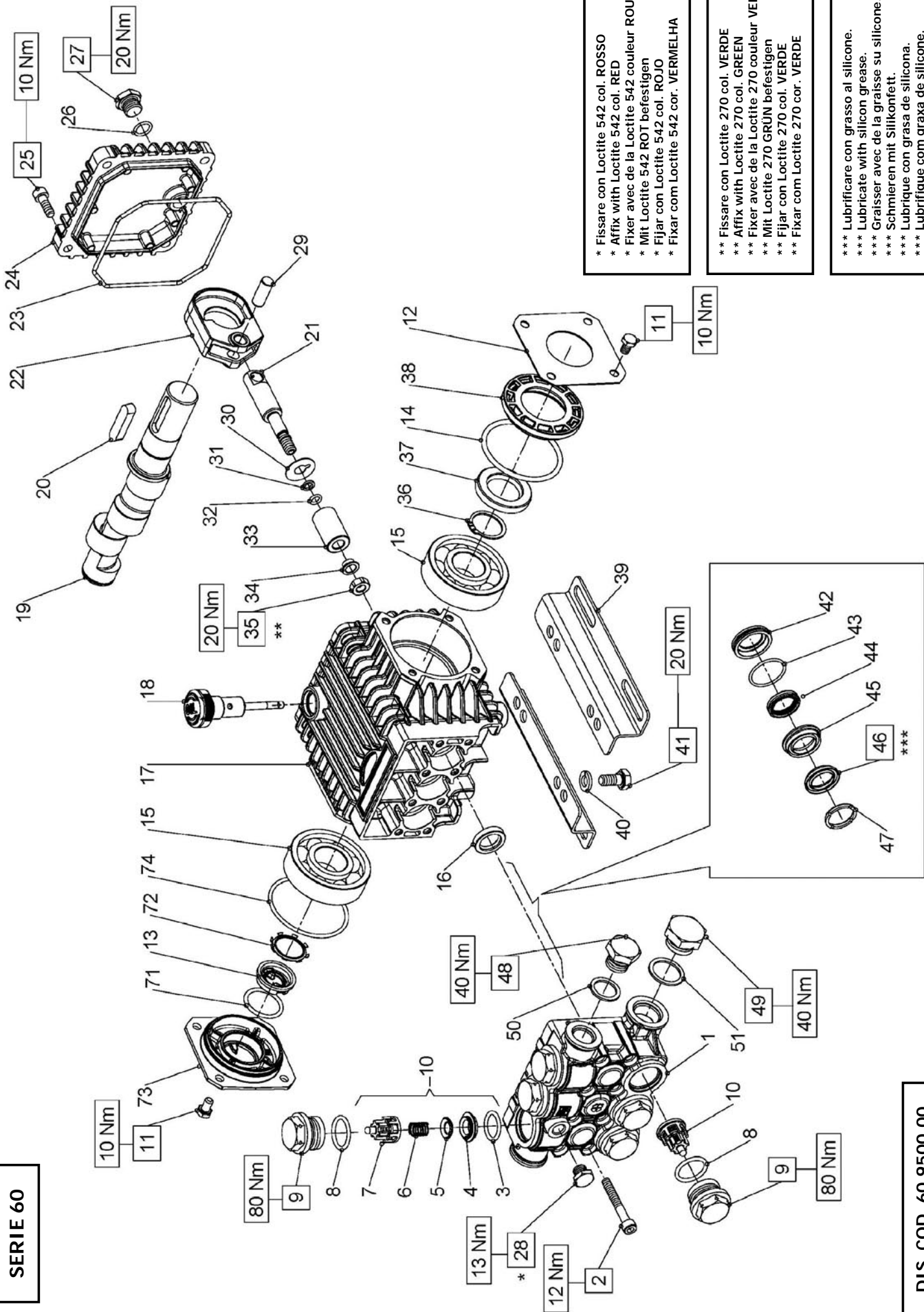
POS	COD.	DESCRIZIONE – DESCRIPTION - KIT	NR
81	36.3187.51	Pomolo	1
82	92.2218.00	Dado M8x13 UNI 5589	1
83	99.3054.00	Vite M8x20 UNI 5923	1
84	90.3598.00	OR D. 20.35x1.78 NBR SH. 70 2081	1
85	36.3185.70	Registro pressione	1
86	36.3169.70	Piattello molla	1
87	94.7436.00	Molla Dm. 15.0x35.0	1
88	36.3184.70	Boccola di guida 102	1
89	90.3847.00	OR D. 20.24x2.62 NBR SH. 90 3081 102	1
90	36.3188.70	Fine corsa 102	1
91	94.7332.00	Molla Dm. 6.1x19.0 102	1
92	90.3575.00	OR D. 6.75x1.78 NBR SH. 70 106 102	3
93	36.3331.51	Otturatore 102	1
94	90.5065.00	Anello antiest. D. 10.6x15.0x2.0 102	2
95	90.3822.00	OR D. 9.92x2.62 NBR SH. 70 112 102	2
96	36.3189.70	Pistoncino di comando 102	1
97	90.5025.00	Anello antiest. D. 7.0x10.0x1.5 102	1
98	36.3165.70	Guida valvola 102	1
99	90.3589.00	OR D. 12.42x1.78 NBR SH. 70 2050 102	1
100	90.5075.00	Anello antiest. D. 13.0x16.0x1.5 102	1
101	36.3190.66	Valvola sferica 102	1
102	99.1509.00	Vite M5x0.8x8.5 102	1
103	36.3164.66	Sede valvola 102	1
104	90.3832.00	OR D. 13.95x2.62 NBR SH. 70 3056 94	1
105	10.0147.70 10.0078.70 10.0318.70	Nipplo M22x1.5 con D. 3 Nipplo G 3/8" con D. 3 Nipplo 3/8" NPT con D. 3 - USA	1
106	98.2041.00	Tappo G 1/4"x9	1
107	51.1201.41 51.1205.41	Testata D. 15 Testata D. 18	1
108	98.2057.00	Tappo M14x1.5	1
109	98.2041.00	Tappo G 1/4"x9	1

OPTIONALS			
POS	COD.	DESCRIZIONE – DESCRIPTION - KIT	NR
113	90.3822.00	OR D. 9.92x2.62 NBR SH. 70 112 94	1
114	10.0437.70 10.0151.66 10.0076.66	Ugello D. 1.6 (<8 l/min.) Ugello D. 2 (8-11 l/min.) Ugello D. 2.2 (12-15 l/min.)	1
115	90.3582.00	OR D. 9.25x1.78 NBR SH. 70 2037 94	1
116	94.8217.00	Molla conica D. 4.3/7.6x11.0 94	1
117	97.4782.00	Sfera D. 7/32" 94	1
118	90.3572.00	OR D. 5.28x1.78 NBR SH. 70 2021 94	1
119	94.7383.00	Molla Dm. 9.75x10.0 94	1
120	90.3580.00	OR D. 8.73x1.78 NBR SH. 70 108 94	1
121	36.3181.51	Corpo dosatore	1
122	90.3585.00	OR D. 10.82x1.78 NBR SH. 70 2043 94	1
123	36.2563.70	Sede valvola	1
124	36.2564.70	Otturatore	1
125	36.2565.51	Pomolo	1
126	90.3570.00	OR D. 4.48x1.78 NBR SH. 70 2018 94	2
127	36.2566.70	Innesto porta-gomma	1
130	90.3841.00	OR D. 17.13x2.62 NBR SH. 70 3068	1
131	36.3182.51	Nipplo aspirazione G 3/4"	1
132	92.8925.00	Filtro	1
133	90.3828.00	OR D. 12.37x2.62 NBR SH. 70 3050	1
134	36.2569.70	Porta-gomma aspirazione	1
135	92.9828.00	Ghiera G 3/4"	1

KIT RICAMBI – SPARE KITS

KIT NR.	KIT 94	KIT 102
Posizioni include Positions included	104 - 113 - 115 116 - 117 - 118 119 - 120 - 122 126	88 - 89 - 90 91 - 92 - 93 94 - 95 - 96 97 - 98 - 99 100 - 101 102 - 103
Nr. Pcs.	1÷2	1÷2÷3

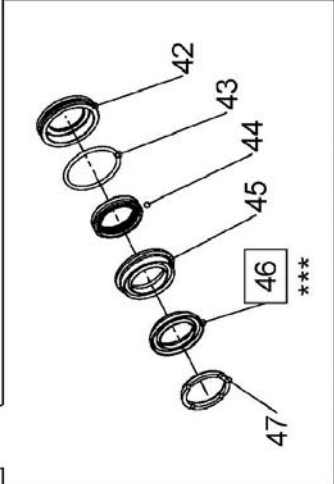
SERIE 60




* Fissare con Loctite 542 col. ROSSO
* Affix with Loctite 542 col. RED
* Fixer avec de la Loctite 542 couleur ROUGE
* Mit Loctite 542 ROT befestigen
* Fijar con Loctite 542 col. ROJO
* Fixar com Loctite 542 cor. VERMELHA

** Fissare con Loctite 270 col. VERDE
** Affix with Loctite 270 col. GREEN
** Fixer avec de la Loctite 270 couleur VERT
** Mit Loctite 270 GRÜN befestigen
** Fijar con Loctite 270 col. VERDE
** Fixar com Loctite 270 cor. VERDE


*** Lubrificare con grasso al silicone.
*** Lubricate with silicon grease.
*** Graisser avec de la graisse su silicone.
*** Schmierer mit Silikonfett.
*** Lubrifique con grasa de silicona.
*** Lubrifique com graxa de silicone.



DIS. COD. 60.9500.00



**EL1707 - EL1708 - EL1510 - EL1513 - UL1708 - UL1509
UL1710 - UL1512 - EH1708 - EH1710 - EH1711 - EH1713
UH1708 - UH1710 - UH1712 - UH1713 - UH1711**



PISTONE - PISTON D. 15		PISTONE - PISTON D. 18	
EL1707 - EL1708 - UL1708 - UL1710 EH1708 - EH1710 - EH1711 - EH1713 UH1708 - UH1710 - UH1712 - UH1713 UH1711	EL1510 - EL1513 UL1509 - UL1512		

POS	COD.	DESCRIZIONE - DESCRIPTION - KIT	NR
1	60.1200.41 60.1201.41	Testata pompa D. 15 Testata pompa D. 18	1
2	99.1950.00	Vite M6x45 UNI 5931	8
3	90.3841.00	OR D. 17.13x2.62 NBR SH. 70 3068 123	6
4	36.2003.66	Sede valvola	123
5	36.2001.76	Valvola	123
6	94.7376.00	Molla Dm. 9.4x14.8 - INOX	123
7	36.2025.51	Guida valvola	123
8	90.3847.00	OR D. 20.24x2.62 SH. 90 3081	6
9	98.2214.00	Tappo valvola M24x1.5	6
10	36.7115.01	Gr. valvola aspiraz./mandata	123
11	99.1807.00	Vite M6x10 UNI 5739	8
12	50.1500.74	Coperchio laterale carter lato PTO	1
13	53.2108.51	Vetrino spia livello olio	1
14	90.4097.00	OR D. 55.56x3.53 NBR SH. 70 159	1
15	91.8328.00	Cuscinetto a sfere	2
16	90.1565.00	Anello rad. D. 15.0x24.0x5.0	83
17	60.0100.22	Carter pompa	1
18	98.2103.00	Tappo carico olio G 3/8"	1

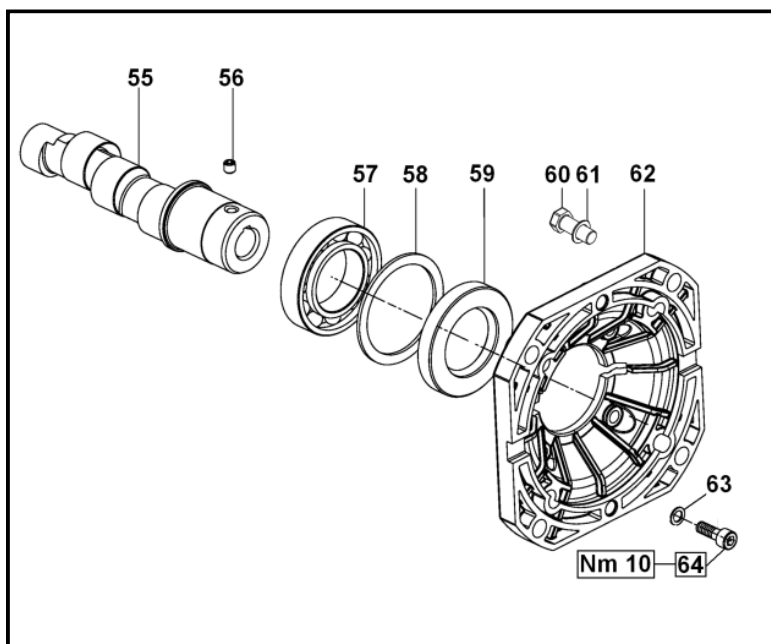
KIT RICAMBI - SPARE KITS						PISTONE- PISTON D. 15				PISTONE- PISTON D. 18			
KIT Nr.	KIT 83	KIT 123	KIT 196	KIT 198	KIT 200	KIT 226	KIT 197	KIT 199	KIT 225	KIT 227			
Posizioni include Positions included	16	3 - 4 5 - 6 7 (10)	44 - 46 47	45	42 - 43	42 - 43 44 - 45 46 - 47	44 - 46 47	45	42 - 43	42 - 43 44 - 45 46 - 47			
Nr. Pcs.	3	6	3	3	3	1	3	3	3	1			

POS	COD.	DESCRIZIONE - DESCRIPTION - KIT	NR
38	50.2115.51	Distanziale	1
39	50.2000.74	Piedini pompa	2
40	96.7016.00	Rosetta D. 8.4x14.4x2.0 UNI 1751	4
41	99.3037.00	Vite M8x16 UNI 5739	4
42	60.0800.70 60.0801.70	Anello di fondo D. 15 Anello di fondo D. 18	200-226 225-227
43	90.3604.00	OR D. 25.12x1.78 NBR SH. 70 2100 200-225-226-227	3
44	90.2608.00 90.2650.00	Anello ten. alt. D. 15x22x5 LP Anello ten. alt. D. 18x24x5 LP	196-226 197-227
45	60.2160.70 60.2161.70	Anello intermedio D. 15 Anello intermedio D. 18	198-226 199-227
46	90.2620.00 90.2681.00	Anello ten. alt. D. 15x25x5/3.1 HP Anello ten. alt. D. 18x26x5/3 HP	196-226 197-227
47	51.1000.51 51.1001.51	Anello di testa D. 15 Anello di testa D. 18	196-226 197-227
48	98.2100.00	Tappo G 3/8"x13	1
49	98.2176.00	Tappo G 1/2"x10	1
50	96.7380.00	Rosetta D. 17.5x23.0x1.5	1
51	96.7514.00	Rosetta D. 21.5x27.0x1.5	1
71	90.3859.00	OR D. 25.07x2.62 NBE SH. 70 3100	1
72	90.0671.00	Anello d'arresto Z30	1
73	53.1500.22	Coperchio laterale carter	1
74	90.3898.00	OR D. 56.82x2.62 NBR SH. 70 3225	1

POS	COD.	DESCRIZIONE - DESCRIPTION - KIT	NR
19	60.0202.65 60.0204.65 60.0207.65	Albero ecc. C.5 - UH1708 Albero ecc. C.6 - EH1708 UH1710 Albero ecc. C.7.2 - UL1509 EH1710 UH1712	1
20	60.0209.65 60.0212.35	Albero ecc. C.8 - EH1711 UH1713 Albero ecc. C.9.4 - EL1707 EL1510 UL1708 UL1512 EH1713	1
21	60.0217.35	Albero ecc. C.11.5 - EL1708 EL1513 UL1710	3
22	91.4892.00	Linguetta 8x7x35 UNI 6604	1
23	60.0500.66	Guida pistone	3
24	60.0300.22	Biella	3
25	90.3918.00	OR D. 94.92x2.62 NBR SH. 70 3375	1
26	60.1600.22	Coperchio posteriore carter	1
27	99.1867.00	Vite M6x18 UNI 5931	4
28	90.3585.00	OR D. 10.82x1.78 NBR SH. 70 2043	1
29	98.2042.50	Tappo G 1/4"x9 TE17 Zinc.	1
30	98.1966.00	Tappo G 1/8"x8	1
31	97.7333.00	Spinotto D. 9x24.5	3
32	96.7070.00	Rosetta D. 9.0x23.0x0.5	3
33	90.5022.00	Anello antiest. D. 6.2x9.0x1.5	3
34	90.3573.00	OR D. 5.28x1.78 NBR SH. 70 2021	3
35	60.0400.09 60.0401.09	Pistone D. 15x30 Pistone D. 18x30	3
36	44.2115.70	Rosetta con collare D. 8	3
37	92.2216.00	Dado M8x13x5	3
38	90.0635.00	Anello d'arresto A25	1
39	90.1634.00	Anello rad. D. 25.0x42.0x7.0	1

VERSION A (for electric motors NEMA 56 C)

UL1708 - UL1509 - UL1512 - UH1708 - UH1711
UH1712



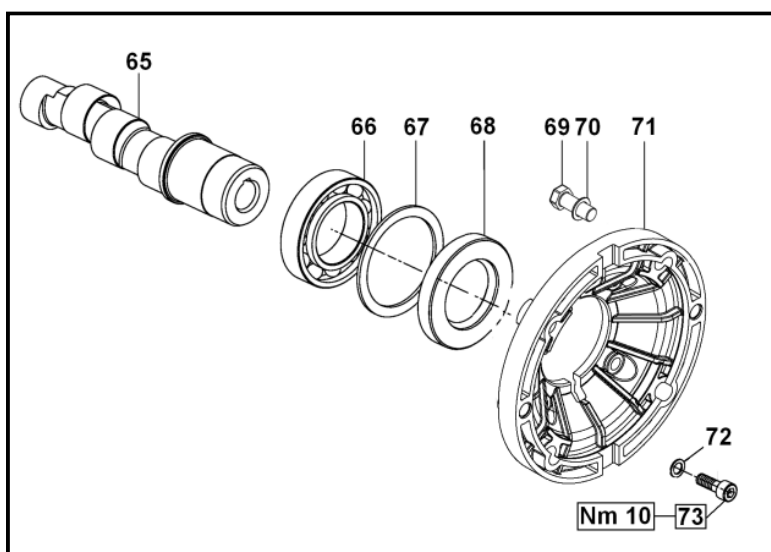
DIS. COD. 60.9503.00

POS	COD.	DESCRIZIONE - DESCRIPTION	NR
55	60.0224.65 60.0227.65 60.0229.65 60.0234.65	Albero ecc. C.5 - UH1708 Albero ecc. C.6.5 - UH1711 Albero ecc. C.7.2 - UL1509 UH1712 Albero ecc. C.9.4 - UL1708 UL1512	1
56	99.1790.00	Vite M6x6 UNI 5929	1
57	91.8464.00	Cuscinetto a sfere	1
58	60.2101.89	Rondella distanziale	1
59	90.1675.00	Anello rad. D. 35.0x62.0x10.0	1
60	99.3345.00	Vite 3/8"x16	4
61	96.7104.00	Rondella D. 10.5x16.0x1.0	4
62	10.0344.22	Flangia per motore elettrico	1
63	96.6938.00	Rondella D. 6.4x10.0x0.7	4
64	99.1867.00	Vite M6x18 UNI 5931	4

SERIE 60

VERSION B (for electric motors IEC 90 B14)

EL1707 - EL1708 - EL1510 - EL1513 - EH1708
EH1710 - EH1711 - EH1713



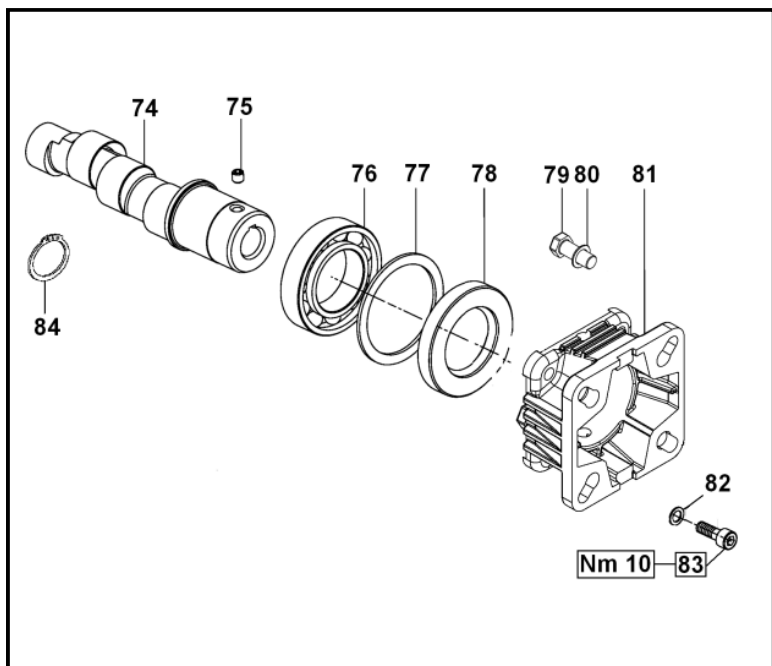
DIS. COD. 60.9504.00

POS	COD.	DESCRIZIONE - DESCRIPTION	NR
65	60.0248.65 60.0251.65 60.0253.65 60.0256.65 60.0261.65	Albero ecc. C.6 - EH1708 Albero ecc. C.7.2 - EH1710 Albero ecc. C.8 - EH1711 Albero ecc. C.9.4 - EL1510 EL1707 EH1713 Albero ecc. C.11.5 - EL1513 EL1708	1
66	91.8464.00	Cuscinetto a sfere	1
67	60.2101.89	Rondella distanziale	1
68	90.1675.00	Anello rad. D. 35.0x62.0x10.0	1
69	99.3067.00	Vite M8x25 UNI 5739	4
70	96.7014.00	Rondella D. 8.4x13.0x0.8	4
71	10.0345.22	Flangia per motore elettrico	1
72	96.6938.00	Rondella D. 6.4x10.0x0.7	4
73	99.1867.00	Vite M6x18 UNI 5931	4

SERIE 60

VERSION C (for gasoline engines SAE J 609 type A ext.3)

UH1708 – UH1711 – UH1712 – UH1713



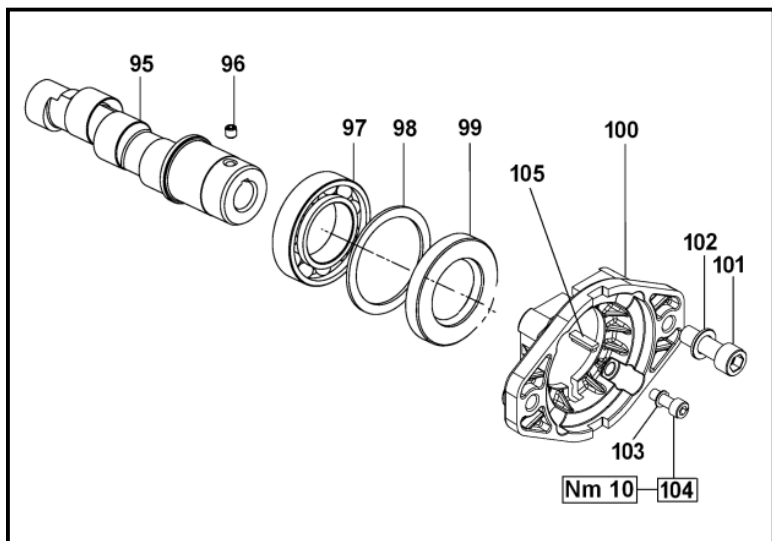
POS	COD.	DESCRIZIONE - DESCRIPTION	NR
74	60.0268.65	Albero ecc. C.5 – UH1708	1
	60.0271.65	Albero ecc. C.6.5 – UH1711	1
	60.0273.65	Albero ecc. C.7.2 – UH1712	1
	60.0275.65	Albero ecc. C.8 – UH1713	1
75	99.1790.00	Vite M6x6 UNI 5929	1
76	91.8464.00	Cuscinetto a sfere	1
77	60.2101.89	Rondella distanziale	1
78	90.1675.00	Anello rad. D. 35.0x62.0x10.0	1
79	99.2730.00	Vite 5/16"x3/4"x24	4
80	96.7014.00	Rondella D. 8.4x10.0x0.8	4
81	10.0652.22	Flangia per motore a scoppio	1
82	96.6938.00	Rondella D. 6.4x10.0x0.7	4
83	99.1867.00	Vite M6x18 UNI 5931	4
84	90.0635.00	Anello d'arresto A25 UNI 7435	1

DIS. COD. 60.9505.00

SERIE 60

VERSION I (for hydraulic motors SAE J 744 type A – 5/8")

UL1512

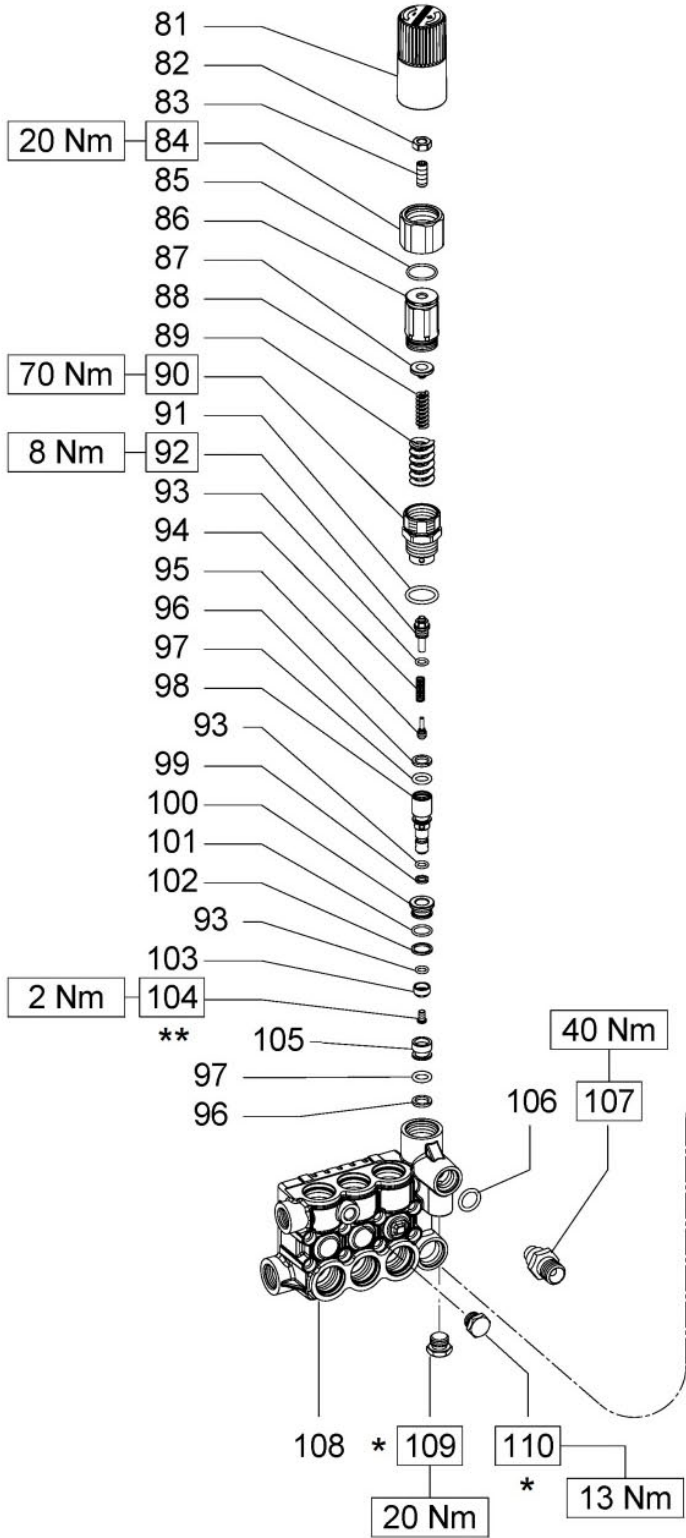


POS	COD.	DESCRIZIONE - DESCRIPTION	NR
95	60.0234.65	Albero ecc. C.9.4 – UL1512	1
96	99.1790.00	Vite M6x6 UNI 5929	1
97	91.8464.00	Cuscinetto a sfere	1
98	60.2101.89	Rondella distanziale	1
99	90.1675.00	Anello rad. D. 35.0x62.0x10.0	1
100	10.0763.22	Flangia per motore idraulico	1
101	99.3686.00	Vite M10x30 UNI 5931	2
102	96.7103.00	Rosetta D. 10.5x18.0x2.0	2
103	96.6938.00	Rosetta D. 6.4x10.0x0.7	4
104	99.1867.00	Vite M6x18 UNI 5931	4
105	91.4685.00	Linguetta 4/4.8x18	1

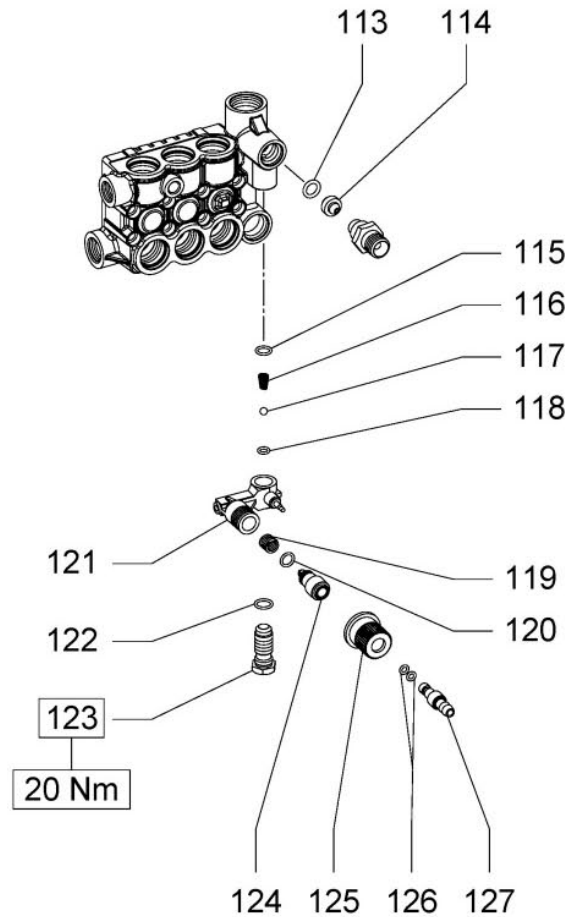
SERIE 60

VH VERSION

VERSIONE CON VALVOLA DI REGOLAZIONE AUT. – VERSION WITH BUILT-IN AUT. UNLOADER
 VERSION AVEC RÉGULATEUR AUT. DE PRESSION INCORPORÉ
 AUSFÜHRUNG MIT EINGEBAUTEM AUT. DRUCKREGULIERVENTIL
 VERSIÓN CON REGULADOR AUT. DE PRESIÓN INCORPORADO - VERSÃO COM VÁLVULA DO REGULAMENTO AUT.



OPTIONALS



* Fissare con Loctite 542 col. ROSSO
 * Affix with Loctite 542 col. RED
 * Fixer avec de la Loctite 542 couleur ROUGE
 * Mit Loctite 542 ROT befestigen
 * Fijar con Loctite 542 col. ROJO
 * Fixar com Loctite 542 cor. VERMELHA

** Fissare con Loctite 270 col. VERDE
 ** Affix with Loctite 270 col. GREEN
 ** Fixer avec de la Loctite 270 couleur VERT
 ** Mit Loctite 270 GRÜN befestigen
 ** Fijar con Loctite 270 col. VERDE
 ** Fixar com Loctite 270 cor. VERDE

SERIE 60

DIS. COD. 60.9501.00

VH VERSION

**VERSIONE CON VALVOLA DI REGOLAZIONE AUT. – VERSION WITH BUILT-IN AUT. UNLOADER
VERSION AVEC RÉGULATEUR AUT. DE PRESSION INCORPORÉ
AUSFÜHRUNG MIT EINGEBAUTEM AUT. DRUCKREGULIERVENTIL
VERSIÓN CON REGULADOR AUT. DE PRESIÓN INCORPORADO - VERSÃO COM VÁLVULA DO REGULAMENTO AUT.**

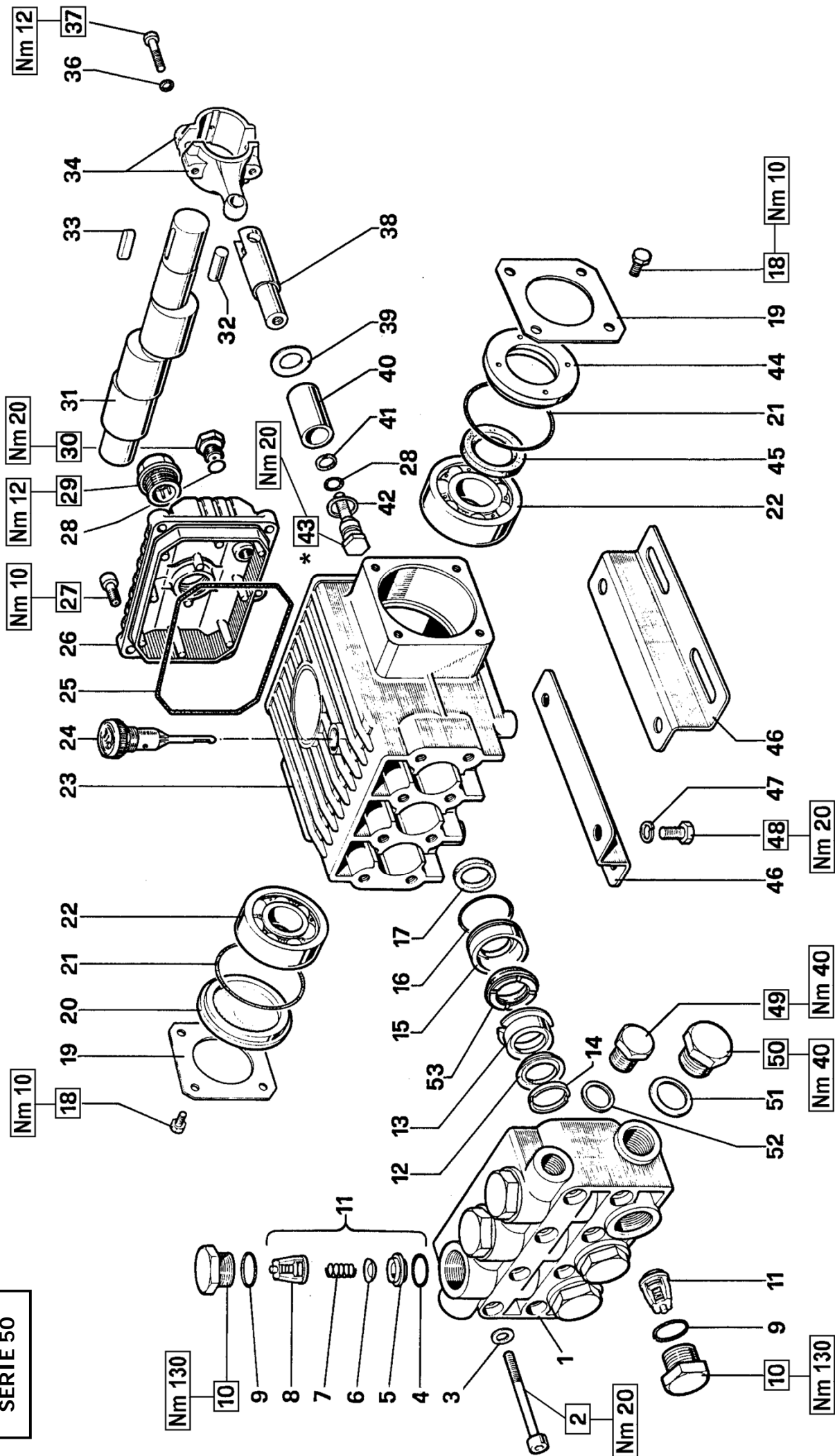
POS	COD.	DESCRIZIONE – DESCRIPTION - KIT	NR
81	36.3187.51	Pomolo	1
82	92.2218.00	Dado M8x5x13	1
83	99.3054.00	Vite M8x20 UNI 5923	1
84	36.3316.70	Ghiera – OPTIONAL	1
85	90.3598.00	OR D. 20.35x1.78 NBR SH. 70 2081	1
86	36.3185.70	Registro pressione	1
87	36.3169.70	Piattello molla	1
88	94.7345.00	Molla Dm. 7.6x29.0	1
89	94.7438.00	Molla Dm. 6.1x19.0	1
90	36.3184.70	Boccola di guida 102	1
91	90.3847.00	OR D. 20.24x2.62 NBR SH. 90 3081 102	1
92	36.3188.70	Fine corsa 102	1
93	90.3575.00	OR D. 6.75x1.78 NBR SH. 70 106 102	3
94	94.7332.00	Molla Dm. 6.1x19.0 102	1
95	36.3331.51	Otturatore 102	1
96	90.5065.00	Anello antiest. D. 10.6x15.0x2.0 102	2
97	90.3822.00	OR D. 9.92x2.62 NBR SH. 70 112 102	2
98	36.3189.70	Pistoncino di comando 102	1
99	90.5025.00	Anello antiest. D. 7.0x10.0x1.5 102	1
100	36.3165.70	Guida valvola 102	1
101	90.3589.00	OR D. 12.42x1.78 NBR SH. 70 2050 102	1
102	90.5075.00	Anello antiest. D. 13.0x16.0x1.5 102	1
103	36.3190.66	Valvola sferica 102	1
104	99.1509.00	Vite M5x0.8x8.5 102	1
105	36.3164.66	Sede valvola 102	1
106	90.3832.00	OR D. 13.95x2.62 NBR SH. 70 3056 94	1
107	10.0147.70 10.0078.70 10.0318.70	Nipplo M22x1.5 con D. 3 Nipplo G 3/8" con D. 3 Nipplo G 3/8" NPT con D. 3 - USA VS.	1
108	60.1204.41 60.1205.41 60.1208.41 60.1209.41	Testata pompa con valvola D. 15 Testata pompa con valvola D. 18 Testata pompa con valvola SX D. 15 Testata pompa con valvola SX D. 18	1
109	98.2057.00	Tappo M14x1.5	1
110	98.1966.00	Tappo G 1/8"x8	1

OPTIONALS			
POS	COD.	DESCRIZIONE – DESCRIPTION - KIT	NR
113	90.3823.00	OR D. 9.92x2.62 NBR SH. 70 112 94	1
114	10.0437.70 10.0151.66 10.0076.66	Ugello – Nozzle D.1.6 (<8 l/min.) Ugello – Nozzle D.2 (8÷11 l/min.) Ugello – Nozzle D.2.2 (12÷15 l/min.)	1
115	90.3582.00	OR D. 9.25x1.78 NBR SH. 70 2037 94	1
116	94.8217.00	Molla conica D. 4.3/7.3x11.0 94	1
117	97.4782.00	Sfera D. 7/32" 94	1
118	90.3572.00	OR D. 5.28x1.78 NBR SH. 70 2021 94	1
119	94.7383.00	Molla Dm. 9.75x10.0 94	1
120	90.3580.00	OR D. 8.73x1.78 NBR SH. 70 108 94	1
121	36.3181.51	Corpo dosatore	1
122	90.3585.00	OR D. 10.82x1.78 NBR SH. 70 2043 94	1
123	36.2563.70	Sede valvola	1
124	36.2564.70	Otturatore	1
125	36.2565.51	Pomolo	1
126	90.3570.00	OR D. 4.48x1.78 NBR SH. 70 2018 94	2
127	36.2566.70	Innesto porta-gomma	1
130	90.3841.00	OR D. 17.13x2.62 NBR SH. 70 3068	1
131	36.3182.51	Nipplo aspirazione G 3/4"	1
132	92.8925.00	Filtro	1
133	90.3828.00	OR D. 12.37x2.62 NBR SH. 70 3050	1
134	36.2569.70	Porta-gomma aspirazione	1
135	92.9828.00	Ghiera G 3/4"	1

KIT RICAMBI – SPARE KITS

KIT NR.	KIT 94	KIT 102
Posizioni include Positions included	106 - 113 - 115 116 - 117 - 118 119 - 120 - 122 126	90 - 91 - 92 93 - 94 - 95 96 - 97 - 98 99 - 100 - 101 102 - 103 - 104 105
Nr. Pcs.	1÷2	1÷2÷3

SERIE 50



* Fissare con Loctite 542 col. ROSSO
* Affix with Loctite 542 col. RED
* Fixer avec de la Loctite 542 couleur ROUGE
* Mit Loctite 542 ROT befestigen
* Fijar con Loctite 542 col. ROJO
* Fixar com Loctite 542 cor. VERMELHA

DIS. COD. 50.9509.00

KIT RICAMBI – SPARE KITS

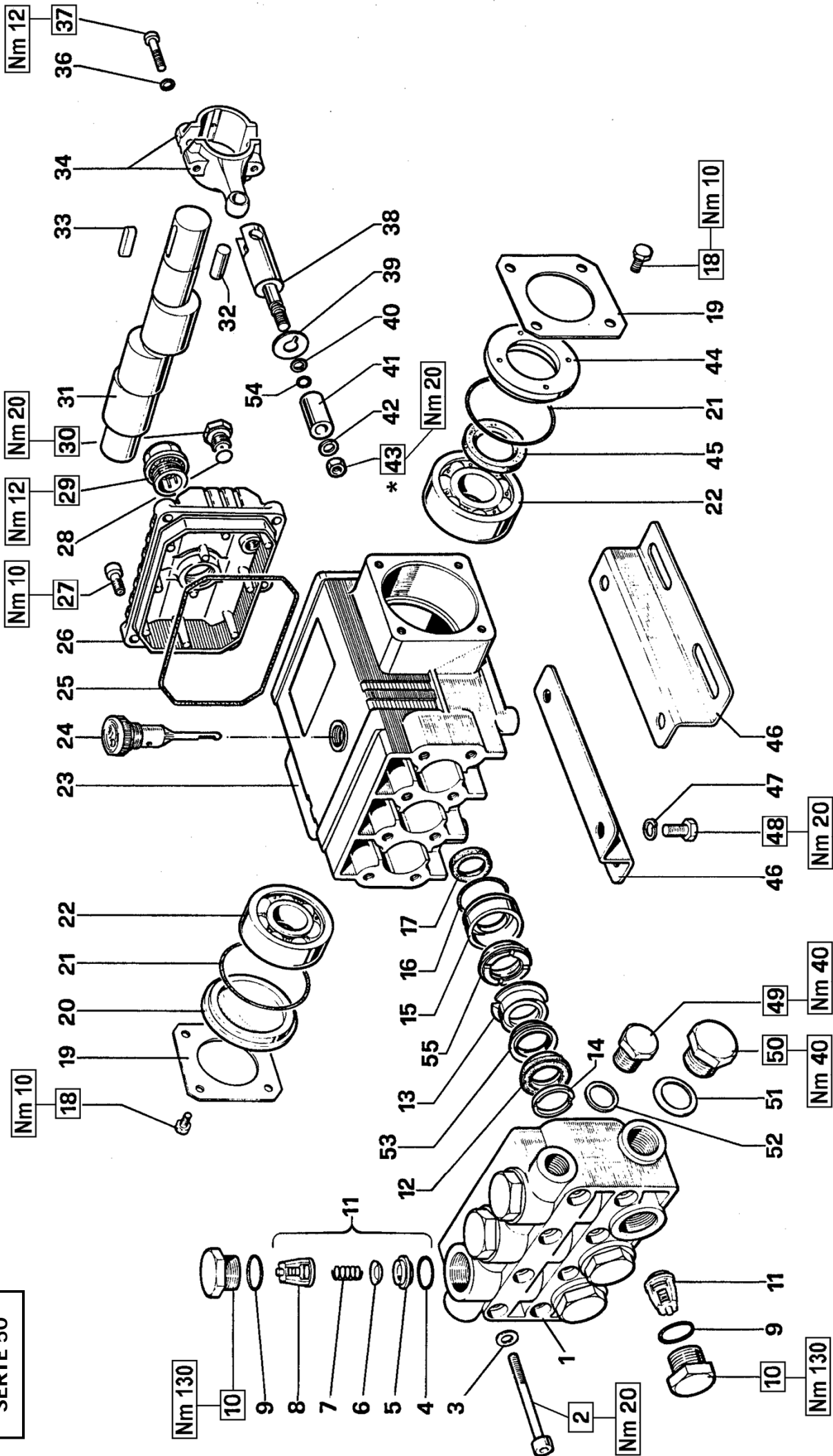
KIT Nr.	KIT 1	KIT 4	KIT 6	KIT 19	KIT 20	KIT 21	KIT 22	KIT 23	KIT 27
Posizioni include Positions included	4 - 5 6 - 7 8 (11)	9 - 10	28 - 39 41 - 42 43	12 - 53	13	14	15 - 16	17	12 - 13 14 - 15 16 - 53
Nr. Pcs.	6	6	3	3	3	6	3	3	1

POS	COD.	DESCRIZIONE - DESCRIPTION - KIT	NR
22	91.8329.00	Cuscinetto a sfere	2
23	50.0100.22	Carter pompa	1
24	98.2103.00	Tappo carico olio G 3/8"	1
25	90.3920.00	OR D. 101.27x2.62 NBR 3400	1
26	50.1600.22	Coperchio posteriore carter	1
27	99.1837.00	Vite M6x14 UNI 5931	5
28	90.3585.00	OR D. 10.82x1.78 NBR SH. 70 2043	6
29	97.5968.00	Spia livello olio G 3/4"	1
30	98.2042.50	Tappo G 1/4"x9 TE17 - Zinc.	1
31	50.0201.35 W997-WS137	Albero ecc. C.10 - W71 W91 W99 W996	1
	50.0205.35	Albero ecc. C.8.5 - W70 W98 W995 WS149	
32	97.7330.00	Spinotto D. 9x19.5	3
33	91.4878.00	Linguetta 8x7x25 UNI 6604	1
34	50.0300.01 50.0303.01	Biella completa Biella completa - WS137 W997 WS149	3
36	96.6939.00	Rosetta D. 6.4x10.0x0.7	6
37	99.1927.00	Vite M6x35 UNI 5931	6
38	50.0501.56	Guida pistone	3
39	96.7286.00	Rosetta D. 14.0x28.0x0.5	6
40	50.0404.09	Pistone D. 20x40	3
41	90.5067.00	Anello antiest. D. 11.0x14.0x1.5	6
42	96.7280.00	Rosetta D. 14.0x18.5x0.5	6

POS	COD.	DESCRIZIONE - DESCRIPTION - KIT	NR
43	47.2195.66	Vite fissaggio pistone	6
44	50.2115.51	Distanziale	1
45	90.1634.00	Anello rad. D. 25.0x42.0x7.0	1
46	50.2000.74	Piedino pompa	2
47	96.7016.00	Rosetta D. 8.4 UNI 1751	4
48	99.3037.00	Vite M8x16 UNI 5739	4
49	98.2100.00	Tappo G 3/8"x13	1
50	98.2176.00	Tappo G 1/2"x10	1
51	96.7514.00	Rosetta D. 21.5x27.0x1.5	1
52	96.7380.00	Rosetta D. 17.5x23.0x1.5	1
53	90.2698.00	Anello ten. alt. D. 20x30x7 LP	19-27

POS	COD.	DESCRIZIONE - DESCRIPTION - KIT	NR
1	50.1200.22 50.1200.41	Testata pompa D. 20 - NICKEL Testata pompa D. 20	1
2	99.3175.00	Vite M8x60 UNI 5931	8
3	96.7014.00	Rosetta D. 8.4x13.0x0.8	8
4	90.3841.00	OR Ø 17.13x2.62 NBR SH. 70 3068	1
5	36.2003.66	Sede valvola	1
6	36.2001.76	Valvola sferica	1
7	94.7376.00	Molla Dm. 9.4x14.8	1
8	36.2002.51	Guida valvola	1
9	90.3847.00	OR D. 20.24x2.62 NBR SH. 90 3081	4
10	98.2220.00	Tappo M24x2x16.5	4
11	36.7032.01	Gr. valvola aspiraz./mandata	1
12	90.2703.00	Anello ten. alt. D.20x30x5.5/3 HP	3
13	50.2166.70	Anello intermedio D. 20	20-27
14	50.1000.51	Anello di testa D. 20	21-27
15	50.0805.70	Anello di fondo D. 20	22-27
16	90.3612.00	OR D. 31.47x1.78 NBR SH. 70 2125	3
17	90.1614.00	Anello rad. D. 20.0x30.0x5.0	23
18	99.1807.00	Vite M6x10 UNI 5739	8
19	50.1500.74	Coperchi laterale o carter	2
20	50.2116.51	Distanziale	1
21	90.4097.00	OR D. 55.56x3.53 NBR SH. 70 159	2

SERIE 50



* Fissare con Loctite 542 col. ROSSO
* Affix with Loctite 542 col. RED
* Fixer avec de la Loctite 542 couleur ROUGE
* Mit Loctite 542 ROT befestigen
* Fijar con Loctite 542 col. ROJO
* Fixar com Loctite 542 cor. VERMELHA


DIS. COD. 50.9511.00

KIT RICAMBI – SPARE KITS

KIT Nr.	KIT 1	KIT 4	KIT 23	KIT 88	KIT 89	KIT 90	KIT 91	KIT 92
Posizioni include Positions included (11)	4 - 5 6 - 7 8 (11)	9 - 10	17	12 - 53 55	13	14	15 - 16	12 - 13 14 - 15 16 - 53 55
Nr. Pcs.	6	6	3	3	3	6	3	1

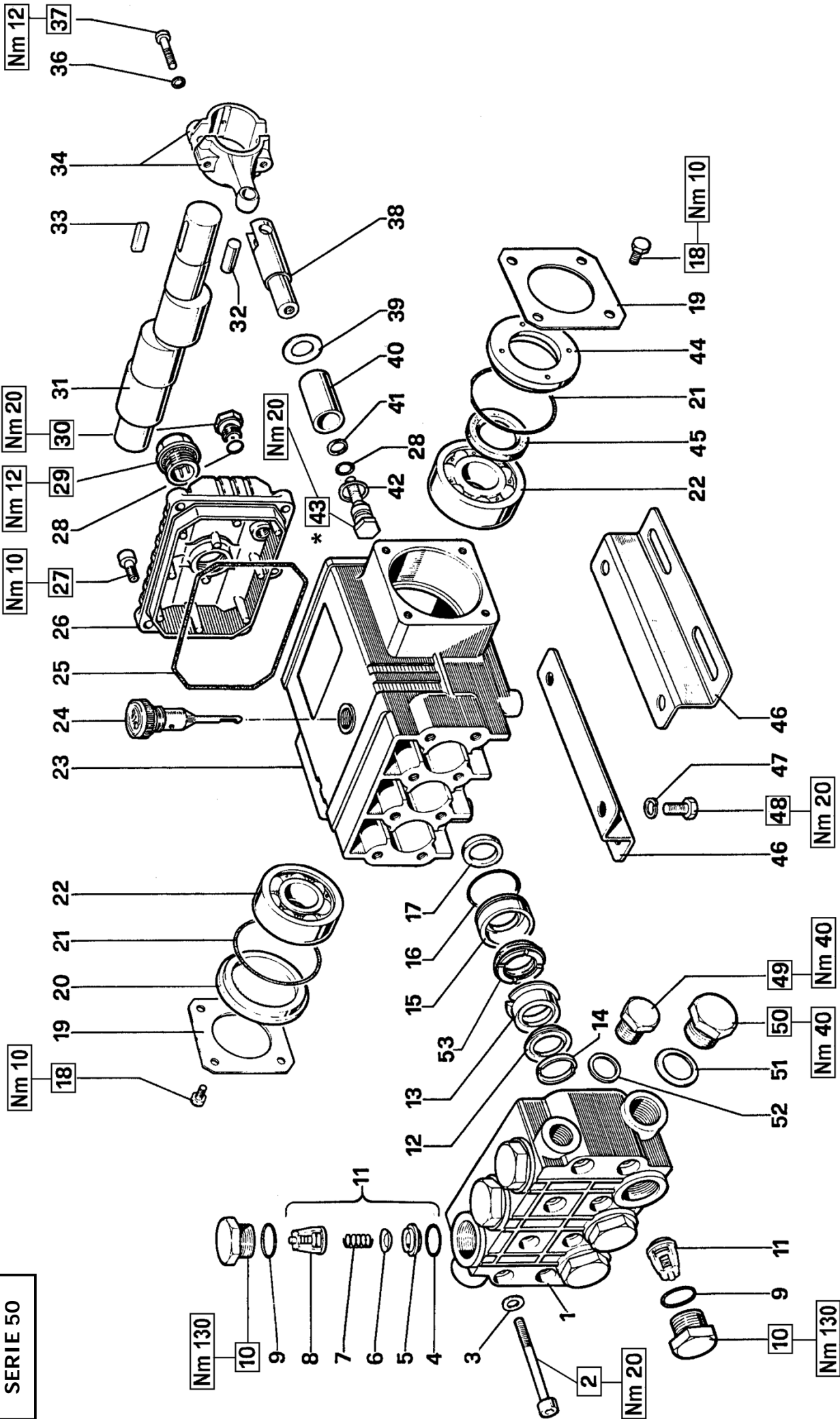
POS	COD.	DESCRIZIONE – DESCRIPTION - KIT	NR
23	50.0104.22	Carter pompa	1
24	98.2103.00	Tappo carico olio G 3/8"	1
25	90.3920.00	OR D. 101.27x2.62 NBR SH. 70 3400	1
26	50.1600.22	Coperchio posteriore carter	1
27	99.1837.00	Vite M6x14 UNI 5931	5
28	90.3585.00	OR D. 10.82x1.78 NBR SH. 70 2043	4
29	97.5968.00	Spia livello olio G 3/4"	1
30	98.2042.50	Tappo G 1/4"x9 TE17 - Zinc.	1
31	50.0201.35 50.0205.35	Albero ecc. C.10 - WW161 WW944 Albero ecc. C.8-5 - WW141 WW935	1 1
32	97.7330.00	Spinotto D. 9x19.5	3
33	91.4878.00	Linguetta 8x7x25 UNI 6604	1
34	50.0300.01	Biella completa	3
36	96.6939.00	Rosetta D. 6.4x10.0x0.7	6
37	99.1927.00	Vite M6x35 UNI 5931	6
38	52.0500.56	Guida pistone	3
39	96.7070.00	Rosetta D. 9.0x23.0x0.5	3
40	90.5022.00	Anello antiest. D. 6.2x9.0x1.5	3
41	52.0400.09	Pistone D. 15x37.5	3
42	96.7008.00	Rosetta D. 8.0x13.0x1.0	3
43	92.2216.00	Dado M8x13x5 - INOX	3
44	50.2115.51	Distanziale	1
45	90.1634.00	Anello rad. D. 25.0x42.0x7.0	1

POS	COD.	DESCRIZIONE – DESCRIPTION - KIT	NR
1	50.1205.41	Testata pompa D. 15	1
2	99.3175.00	Vite M8x60 UNI 5931	8
3	96.7014.00	Rosetta D 8.4x13.0x0.8	8
4	90.3841.00	OR D. 17.13x2.62 NBR SH. 70 3068	1
5	36.2003.66	Sede valvola	1
6	36.2001.76	Valvola sferica	1
7	94.7376.00	Molla Dm. 9.4x14.8	1
8	36.2002.51	Guida valvola	1
9	90.3847.00	OR D. 20.24x2.62 SH. 90 3081	4
10	98.2220.00	Tappo M24x2x16.5	4
11	36.7032.01	Gr. valvola aspiraz./mandata	1
12	90.2620.00	Anello ten. alt. D.15x25x5/3.1 HP 88-92	3
13	52.2166.70	Anello intermedio D. 15	89-92
14	51.1000.51	Anello di testa D. 15	90-92
15	52.0805.70	Anello di fondo D. 15	91-92
16	90.3612.00	OR D. 31.47x1.78 NBR SH. 70 2125 91-92	3
17	90.1614.00	Anello rad. D. 20.0x30.0x5.0	23
18	99.1807.00	Vite M6x10 UNI 5739	8
19	50.1500.74	Coperchio laterale carter	2
20	50.2116.51	Distanziale	1
21	90.4097.00	OR D. 55.56x3.53 NBR SH. 70 159	2
22	91.8329.00	Cuscinetto a sfere	2



WW141 - WW161
WW935 - WW944


SERIE 50



* Fissare con Loctite 542 col. ROSSO
* Affix with Loctite 542 col. RED
* Fixer avec de la Loctite 542 couleur ROUGE
* Mit Loctite 542 ROT befestigen
* Fijar con Loctite 542 col. ROJO
* Fixar com Loctite 542 cor. VERMELHA

DIS. COD. 50.9510.00

KIT RICAMBI – SPARE KITS

		<p>T701 - T711 - T911 - T981 - T991 - T9951 - T9961 - T9971 TS1371 - TS1491</p>	
--	--	--	--

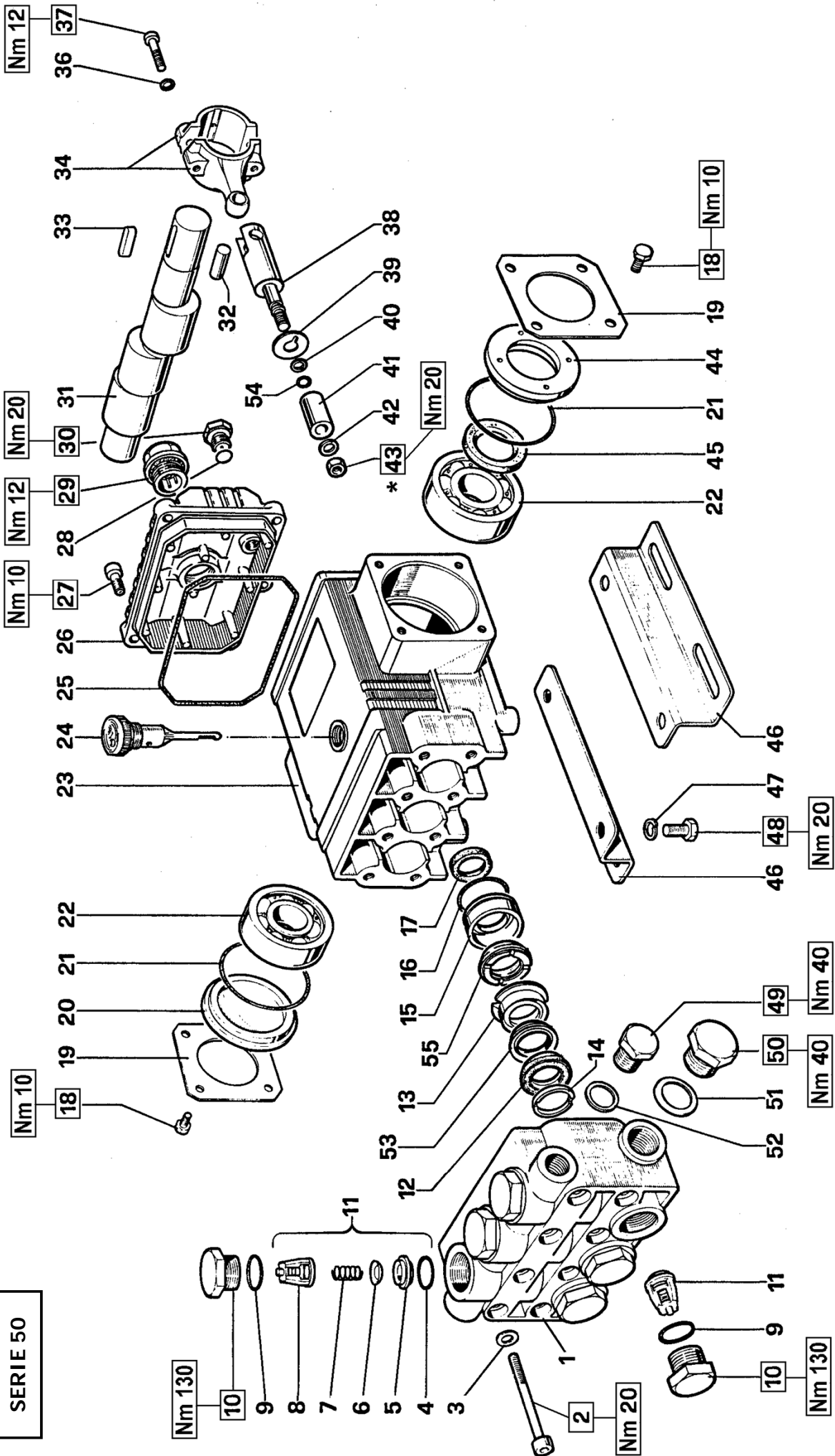
KIT Nr.	KIT 1	KIT 4	KIT 6	KIT 19	KIT 20	KIT 21	KIT 22	KIT 23	KIT 27
Posizioni include Positions included	4 - 5 6 - 7 8 (11)	9 - 10	28 - 39 41 - 42 43	12 - 53	13	14	15 - 16	17	12 - 13 14 - 15 16 - 53
Nr. Pcs.	6	6	3	3	3	6	3	3	1

POS	COD.	DESCRIZIONE – DESCRIPTION - KIT	NR
1	50.1200.22 50.1207.41	Testata pompa D. 20 – NICKEL Testata pompa D. 20	1
2	99.3175.00	Vite M8x60 UNI 5931	8
3	96.7014.00	Rosetta D. 8.4x13.0x0.8	8
4	90.3841.00	OR D. 17.13x2.62 NBR SH. 70 3068	1 6
5	36.2003.66	Sede valvola	1 6
6	36.2001.76	Valvola sferica	1 6
7	94.7376.00	Molla Dm 9.4x14.8	1 6
8	36.2002.51	Guida valvola	1 6
9	90.3847.00	OR D. 20.24x2.62 SNBR H. 90 3081	4 6
10	98.2220.00	Tappo M24x2x16.5	4 6
11	36.7032.01	Gr. valvola aspiraz./mandata	1 6
12	90.2703.00	Anello ten. alt. D. 20x30x5.5/3 HP	3 19-27
13	50.2166.70	Anello intermedio D. 20	20-27 3
14	50.1000.51	Anello di testa D. 20	21-27 3
15	50.0805.70	Anello di fondo D. 20	22-27 3
16	90.3612.00	OR D. 31.47x1.78 NBR SH. 70 2125	3 22-27
17	90.1614.00	Anello rad. D. 20.0x30.0x5.0	23 3
18	99.1807.00	Vite M6x10 UNI 5739	8
19	50.1500.74	Coperchio laterale carter	2
20	50.2116.51	Distanziale	1
21	90.4097.00	OR D. 55.56x3.53 NBR SH. 70 159	2

POS	COD.	DESCRIZIONE – DESCRIPTION - KIT	NR
22	91.8329.00	Cuscinetto a sfere	2
23	50.0104.22	Carter pompa	1
24	98.2103.00	Tappo carico olio G 3/8"	1
25	90.3920.00	OR D. 101.27x2.62 NBR SH. 70 3400	1
26	50.1600.22	Coperchio posteriore carter	1
27	99.1837.00	Vite M6x14 UNI 5931	5
28	90.3585.00	OR D. 10.82x1.78 NBR SH. 70 2043	6 4
29	97.5968.00	Spia livello olio G 3/4"	1
30	98.2042.50	Tappo G 1/4"x9 TE17 – Zinc.	1
31	50.0201.35 50.0205.35 50.0218.35	Albero ecc. C.10 - T711 T911 T991 T9961 T9971 TS1371 Albero ecc. C.8.5 - T701 T981 T9951 TS1491 Albero ecc. C.10 - T711 T911 T991 T9961 T9971-TS1371 – USA VERSION Albero ecc. C.8.5 - T701 T981 T9951 TS1491 - USA VERSION	1
32	97.7330.00	Spinotto D. 9x19.5	3
33	91.4878.00 91.4890.00	Linguetta 8x7x25 UNI 6604 Linguetta 8x7x35 UNI 6604 – USA VERSION	1
34	50.0300.01 50.0303.01	Bielle completa Biella completa - TS1371 T9971 TS1491	3
36	96.6939.00	Rosetta D. 6.4x10.0x0.7	6
37	99.1927.00	Vite M6x35 UNI 5931	6
38	50.0501.56	Guida pistone	3
39	96.7286.00	Rosetta D. 14.0x28.0x0.5	6 3
40	50.0404.09	Pistone D. 20x40	3

POS	COD.	DESCRIZIONE – DESCRIPTION - KIT	NR
41	90.5067.00	Anello antiest. D. 11.0x14.0x1.5	6 3
42	96.7280.00	Rosetta D. 14.0x18.5x0.5	6 3
43	47.2195.66	Vite fissaggio pistone	6 3
44	50.2115.51	Distanziale	1
45	90.1634.00	Anello rad. D. 25.0x42.0x7.0	1
46	50.2000.74	Piedino pompa	2
47	96.7016.00	Rosetta D. 8.4 UNI 1751	4
48	99.3037.00	Vite M8x16 UNI 5739	4
49	98.2100.00	Tappo G 3/8"x13	1
50	98.2176.00	Tappo G 1/2"x10	1
51	96.7514.00	Rosetta D. 21.5x27.0x1.5	1
52	96.7380.00	Rosetta D. 17.5x23.0x1.5	1
53	90.2698.00	Anello ten. alt. D. 20x30x7 LP	19-27 3

SERIE 50



* Fissare con Loctite 542 col. ROSSO
* Affix with Loctite 542 col. RED
* Fixer avec de la Loctite 542 couleur ROUGE
* Mit Loctite 542 ROT befestigen
* Fijar con Loctite 542 col. ROJO
* Fixar com Loctite 542 cor. VERMELHA

DIS. COD. 50.9511.00



TT1411 - TT1611 - TT9351 - TT9441

KIT RICAMBI - SPARE KITS

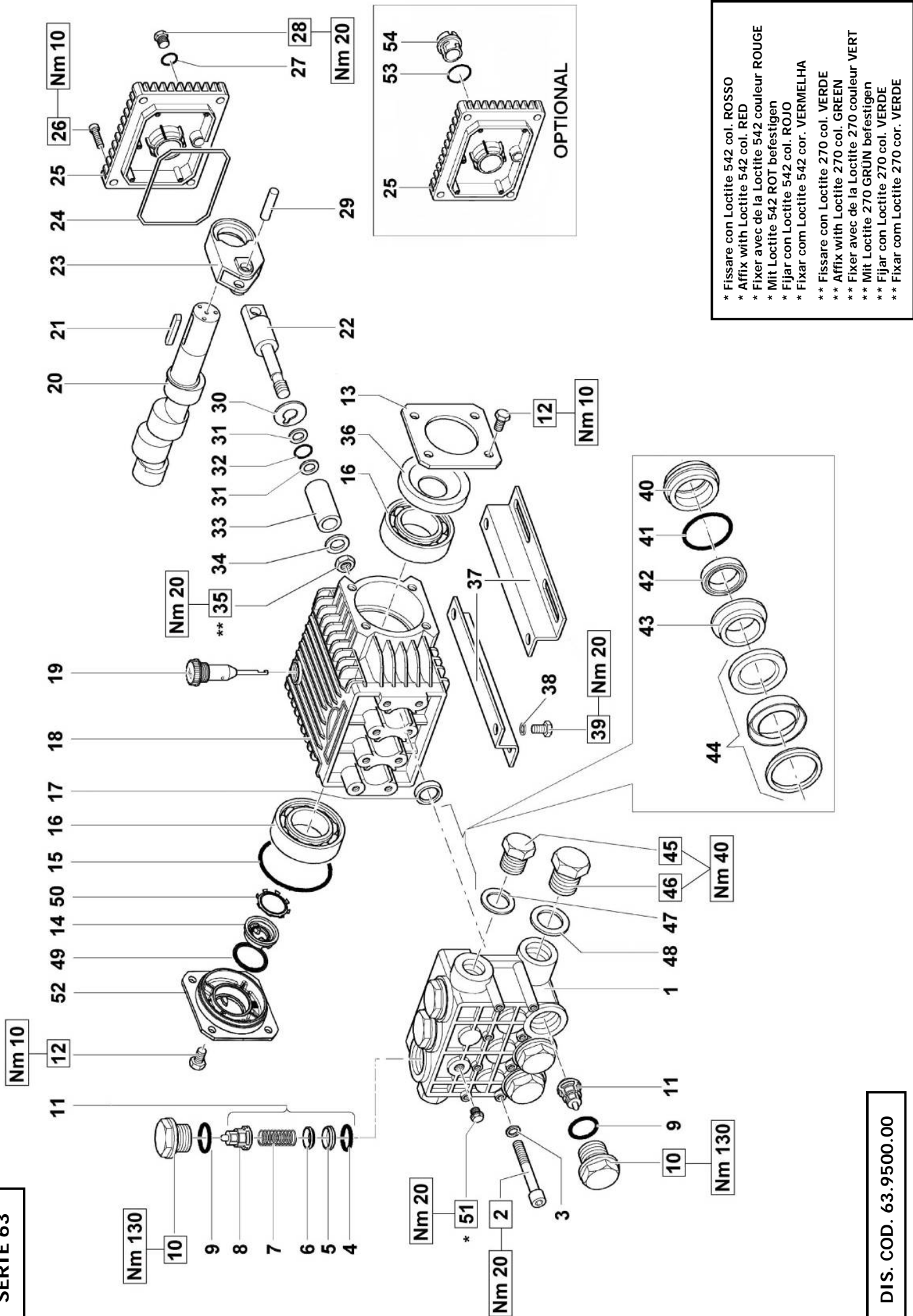
KIT Nr.	KIT 1	KIT 4	KIT 23	KIT 88	KIT 89	KIT 90	KIT 91	KIT 92
Posizioni incluse Positions included (11)	4 - 5 6 - 7 8 (11)	9 - 10	17	12 - 53 55	13	14	15 - 16	12 - 13 14 - 15 16 - 53 55
Nr. Pcs.	6	6	3	3	3	6	3	1

POS	COD.	DESCRIZIONE - DESCRIPTION - KIT	NR
1	50.1205.41	Testata pompa D. 15	1
2	99.3175.00	Vite M8x60 UNI 5931	8
3	96.7014.00	Rosetta D. 8.4x13.0x0.8	8
4	90.3841.00	OR D. 17.13x2.62 NBR SH. 70 3068	1 6
5	36.2003.66	Sede valvola	1 6
6	36.2001.76	Valvola sferica	1 6
7	94.7376.00	Molla Dm. 9.4x14.8	1 6
8	36.2002.51	Guida valvola	1 6
9	90.3847.00	OR D. 20.24x2.62 NBR SH. 90 3081	4 6
10	98.2220.00	Tappo M24x2x16.5	4 6
11	36.7032.01	Gr. valvola aspiraz./mandata	1 6
12	90.2620.00	Anello ten. alt. D.15x25x5/3.1 HP 8-92	3
13	52.2166.70	Anello intermedio D. 15 89-92	3
14	51.1000.51	Anello di testa D. 15 90-92	3
15	52.0805.70	Anello di fondo D. 15 91-92	3
16	90.3612.00	OR D. 31.47x1.78 NBR SH. 70 2125 91-92	3
17	90.1614.00	Anello rad. D. 20.0x30.0x5.0 23	3
18	99.1807.00	Vite M6x10 UNI 5739	8
19	50.1500.74	Coperchio laterale carter	2
20	50.2116.51	Distanziale	1
21	90.4097.00	OR D. 55.56x3.53 NBR SH. 70 159	2

POS	COD.	DESCRIZIONE - DESCRIPTION - KIT	NR
22	91.8329.00	Cuscinetto a sfere	2
23	50.0104.22	Carter pompa	1
24	98.2103.00	Tappo carico olio G 3/8"	1
25	90.3920.00	OR D. 101.27x2.62 NBR SH. 70 3400	1
26	50.1600.22	Coperchio posteriore carter	1
27	99.1837.00	Vite M6x14 UNI 5931	5
28	90.3585.00	OR D. 10.82x1.78 NBR SH. 70 2043	4
29	97.5968.00	Spia livello olio G 3/4"	1
30	98.2042.50	Tappo G 1/4"x9 TE17 - Zinc.	1
31	50.0201.35 50.0205.35	Albero ecc. C.10 - TT1611 TT9441 Albero ecc. C. 8.5 - TT1411 TT9351	1
32	97.7330.00	Spinnotto D. 9x19.5	3
33	91.4878.00	Linguetta 8x7x25 UNI 6604	1
34	50.0300.01	Biella completa	3
36	96.6939.00	Rosetta D. 6.4x10.0x0.7	6
37	99.1927.00	Vite M6x35 UNI 5931	6
38	52.0500.56	Guida pistone	3
39	96.7070.00	Rosetta D. 9.0x23.0x0.5	3
40	90.5022.00	Anello antiest. D. 6.2x9.0x1.5	3
41	52.0400.09	Pistone D. 15x37.5	3
42	96.7008.00	Rosetta D. 8.0x13.0x1.0	3
43	92.2216.00	Dado M8x13x5 - INOX	3
44	50.2115.51	Distanziale	1



POS	COD.	DESCRIZIONE - DESCRIPTION - KIT	NR
45	90.1634.00	Anello rad. D. 25.0x42.0x7.0	1
46	50.2000.74	Pledino pompa	2
47	96.7016.00	Rosetta D. 8.4 UNI 1751	4
48	99.3037.00	Vite M8x16 UNI 5739	4
49	98.2100.00	Tappo G 3/8"x13	1
50	98.2176.00	Tappo G 1/2"x10	1
51	96.7514.00	Rosetta D. 21.5x27.0x1.5	1
52	96.7380.00	Rosetta D. 17.5x23.0x1.5	1
53	90.2622.00	Anello RESTOP D. 15x25x5/3.1 88-92	3
54	90.3572.00	OR D. 5.28x1.78 NBR SH. 70 2021	3
55	90.2617.00	Anello ten. alt.D. 15x25x5.8 LP 88-92	3

SERIE 63



* Fissare con Loctite 542 col. ROSSO
 * Affix with Loctite 542 col. RED
 * Fixer avec de la Loctite 542 couleur ROUGE
 * Mit Loctite 542 ROT befestigen
 * Fijar con Loctite 542 col. ROJO
 * Fixar com Loctite 542 cor. VERMELHA
 ** Fissare con Loctite 270 col. VERDE
 ** Affix with Loctite 270 col. GREEN
 ** Fixer avec de la Loctite 270 couleur VERT
 ** Mit Loctite 270 GRÜN befestigen
 ** Fijar con Loctite 270 col. VERDE
 ** Fixar com Loctite 270 cor. VERDE

DIS. COD. 63.9500.00

	
EL2002 - EL2007 - EL2009 - EL1403 - EL1411 - EL1713 EL1714 - UL1413 - UL1715 - UL1716 - UL2009 - UL2011 EH1413 - EH1416 - EH2009 - EH2011 - UH2008 UH2011 - UH2013 - UH2016 - UH2014	

PISTONE - PISTON D. 15		PISTONE - PISTON D. 18	
EL2002 - EL2007 - EL2009 - UL2009 UL2011 - EH1413 - EH1416 - EH2009 EH2011 - UH2008 - UH2011 - UH2013 UH2016 - UH2014	EL1403 - EL1411 - EL1713 EL1714 - UL1413 - UL1715 UL1716		

POS	COD.	DESCRIZIONE - DESCRIPTION - KIT	NR
1	63.1200.41 63.1203.41	Testata D. 15 Testata D. 18	1
2	99.3192.00	Vite M8x65 UNI 5931 - Zinc.	8
3	96.7014.00	Rosetta D. 8.4x13.0x0.8	8
4	90.3841.00	OR D. 17.13x2.62 NBR SH. 70 3068 123	6
5	36.2003.66	Sede valvola	123
6	36.2001.76	Valvola	123
7	94.7376.00	Molla Dm 9.4x14.8	123
8	36.2025.51	Guida valvola	123
9	90.3847.00	OR D. 20.24x2.62 NBR SH. 90 3081 124	6
10	98.2226.00	Tappo M24x17x1.5	124
11	36.7115.01	Gr. valvola aspiraz./mandata	123
12	99.1807.00	Vite M6x10 UNI 5739	8
13	50.1500.74	Coperchio laterale carter	1
14	53.2108.51	Vetrino spia livello olio	1
15	90.3848.00	OR D. 56.82x2.62 NBR SH. 70 3225	1
16	91.8331.00	Cuscinetto a sfera	2
17	90.1595.00	Anello rad. D. 18.0x26.0x6.0	159

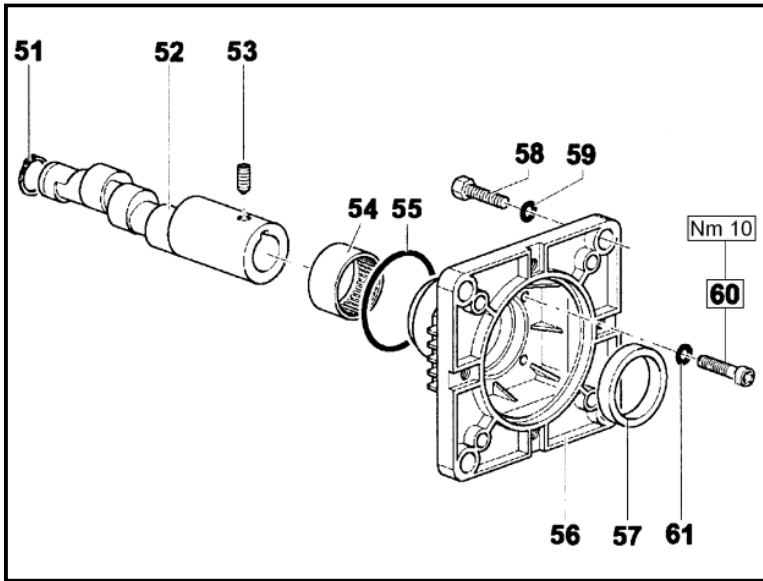
KIT RICAMBI - SPARE KITS					PISTONE - PISTON D. 15					PISTONE - PISTON D. 18				
KIT Nr.	KIT 123	KIT 124	KIT 159	KIT 160	KIT 162	KIT 164	KIT 166	KIT 161	KIT 163	KIT 165	KIT 167			
Posizioni include Positions included	4 - 5 6 - 7 8 (11)	9 - 10	17	42 - 44	40	43	40 - 41 42 - 43 44	42 - 44	40	43	40 - 41 42 - 43 44			
Nr. Pcs.	6	6	3	3	3	3	1	3	3	3	1			

POS	COD.	DESCRIZIONE - DESCRIPTION - KIT	NR
36	90.1641.00	Anello rad. D. 25.0x65.0x10.0	1
37	50.2000.74	Piedino pompa	2
38	96.7016.00	Rosetta D. 8.4 UNI 1751 - Zinc.	4
39	99.3037.00	Vite M8x16 5739	4
40	63.0800.70 63.0801.70	Anello di fondo D. 15 Anello di fondo D. 18	162-166 163-167
41	90.3608.00	OR D. 28.3x1.78 NBR SH. 70 2112 166-167	3
42	90.2608.00 90.2650.00	Anello ten. alt. D. 15x22x5 LP Anello ten. alt. D. 18x24x5 LP	160-166 161-167
43	63.2160.70 63.2161.70	Anello intermedio D. 15 Anello intermedio D. 18	164-166 165-167
44	90.2612.00 90.2654.00	An. ten. alt. D. 15x24x8.5 HP An. ten. alt. D. 18x28x10 HP	160-166 161-167
45	98.2100.00	Tappo G 3/8"x13	1
46	98.2176.00	Tappo G 1/2"x10	1
47	96.7380.00	Rosetta D. 17.5x23.0x1.5	1
48	96.7514.00	Rosetta D. 21.5x27.0x1.5	1
49	90.3859.00	OR D. 26.07x2.62 NBR SH. 70 3100	1
50	90.0671.00	Anello d'arresto Z130	1
51	98.2041.00	Tappo G 1/4"x9	1
52	53.1500.22	Coperchio laterale carter	1
53	90.4051.00	OR D. 26.58x3.53 NBR SH. 70 - OPT	1
54	63.2100.51	Spia livello olio - OPTIONAL	1

POS	COD.	DESCRIZIONE - DESCRIPTION - KIT	NR
18	63.0100.22	Carter pompa	1
19	98.2103.00	Tappo carico olio G 3/8"	1
20	63.0202.65 63.0205.65 63.0208.65 63.0212.35 63.0216.35 63.0218.35	Albero ecc. C.5 - UH2008 Albero ecc. C.5.5 - EH2009 UH2011 Albero ecc. C.8 - EH2011 UH2013 Albero ecc. C.10 - EL2007 EL1411 UL2009 UL1413 EH1413 UH2016 Albero ecc. C.12 - EL2009 EL1713 UL2011 UL1715 EH1416	1
21	91.4892.00	Linguetta	1
22	63.0500.66	Guida pistone	3
23	63.0300.22	Biella	3
24	90.3920.00	OR D. 101.27x2.62 NBR SH. 70 3400	1
25	63.1600.22 63.1601.22	Coperchio posteriore - OPTIONAL Coperchio posteriore	1
26	99.1837.00	Vite M6x14 5931 8.8 Zinc.	4
27	90.3585.00	OR D. 10.82x1.78 NBR SH. 70 2043	1
28	98.2042.50	Tappo G 1/4"x9 TE17 Zinc.	1
29	97.7335.00	Spinotto D. 9x27.5	3
30	96.7075.00	Rosetta D. 9.0x25.0x0.5	3
31	90.5022.00	Anello antiest. D. 6.2x9.0x1.5	6
32	90.3573.00	OR D. 5.28x1.78 NBR SH. 70 2021	3
33	52.0400.09 44.0401.09	Pistone D. 15 Pistone D. 18	3
34	44.2115.70	Rosetta con collare D. 8	3
35	92.2216.00	Dado M8x13x5 - INOX	3

VERSION A (for electric motors NEMA 184 TC)

UL1413 - UL1715 - UL2009 - UL2011



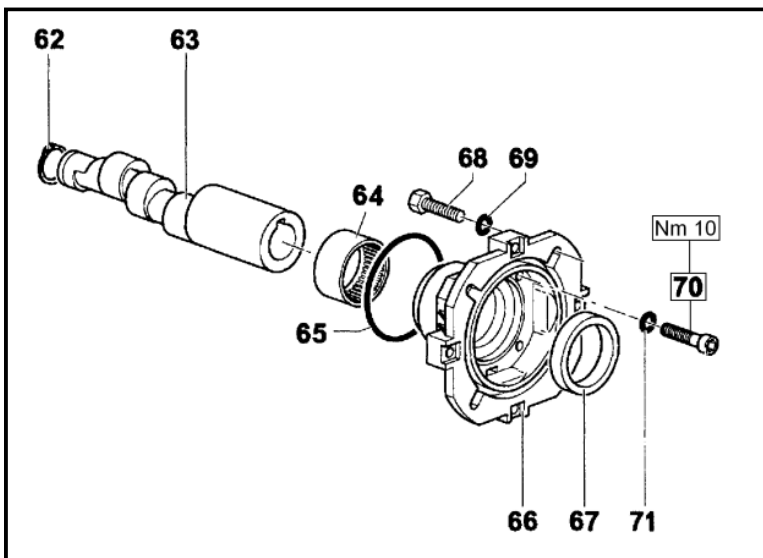
DIS. COD. 63.9501.00

SERIE 63

POS	COD.	DESCRIZIONE - DESCRIPTION	NR
51	90.0635.00	Anello d'arresto A25	1
52	63.0232.65	Albero ecc. C. 10 – UL2009 UL1413	1
	63.0236.65	Albero ecc. C. 12 – UL2011 UL1715	1
53	99.1790.00	Vite M6x6 UNI 5929	1
54	91.8568.00	Boccola a rullini	1
55	90.4097.00	OR D. 55.56x3.56 NBR SH. 70 159	1
56	10.0504.22	Flangia per motore elettrico	1
57	90.1690.00	Anello rad. D. 45.0x62.0x8.0	1
58	99.4600.00	Vite 1/2"x1-1/4"	4
59	96.7195.00	Rosetta D. 13.0x18.0x1.1	4
60	99.1912.00	Vite M6x30 UNI 5931	4
61	96.6938.00	Rosetta D. 6.4x10.0x0.7	4

VERSION B (for electric motors IEC 100-112 B14)

EH1413 - EH1416 - EH2009 - EH2011 - EL2002
EL1403 - EL1411 - EL1713 - EL2007 - EL2009
EL1714



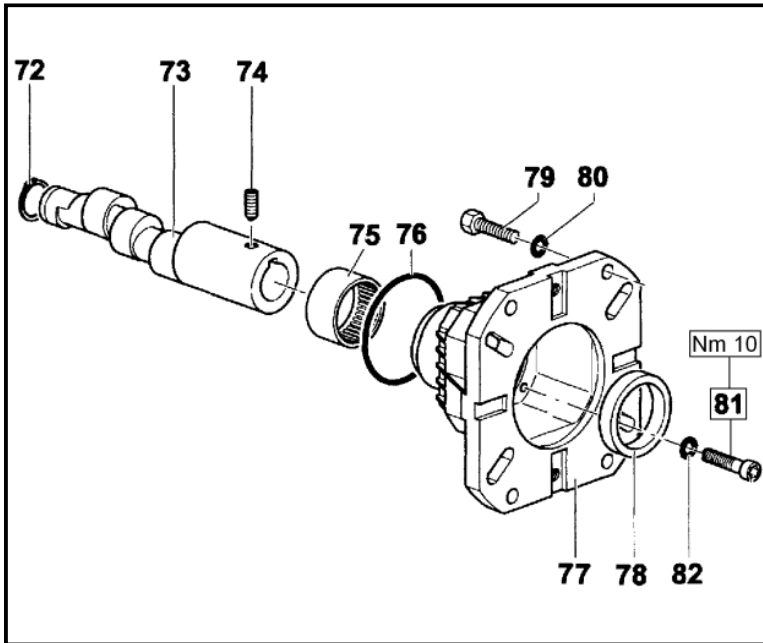
DIS. COD. 63.9502.00

SERIE 63

POS	COD.	DESCRIZIONE - DESCRIPTION	NR
62	90.0635.00	Anello d'arresto A25	1
63	63.0239.65	Albero ecc. C.3.5 – EL2002 EL1403	1
	63.0245.65	Albero ecc. C.6.5 – EH2009	
	63.0248.65	Albero ecc. C.8 – EH2011	
	63.0252.65	Albero ecc. C.10 – EL2007 EL1411 EH1413	
	63.0256.65	Albero ecc. C.12 – EL2009 EL1713 EH1416	
	63.0295.65	Albero ecc. C.13 – EL1714	
64	91.8568.00	Boccola a rullini	1
65	90.4097.00	OR D. 55.56x3.56 NBR SH. 70 159	1
66	10.0494.22	Flangia per motore elettrico	1
67	90.1690.00	Anello rad. D. 45.0x62.0x8.0	1
68	99.3067.00	Vite M8x25 UNI 5739	4
69	96.7014.00	Rosetta D. 8.4x13.0x0.8	4
70	99.1912.00	Vite M6x30 UNI 5931	4
71	96.6938.00	Rosetta D. 6.4x10.0x0.7	4

VERSION C1" (for gasoline engines SAE J 609 type B ext.4)

UH2011 – UH2013 - UH2014 – UH2016



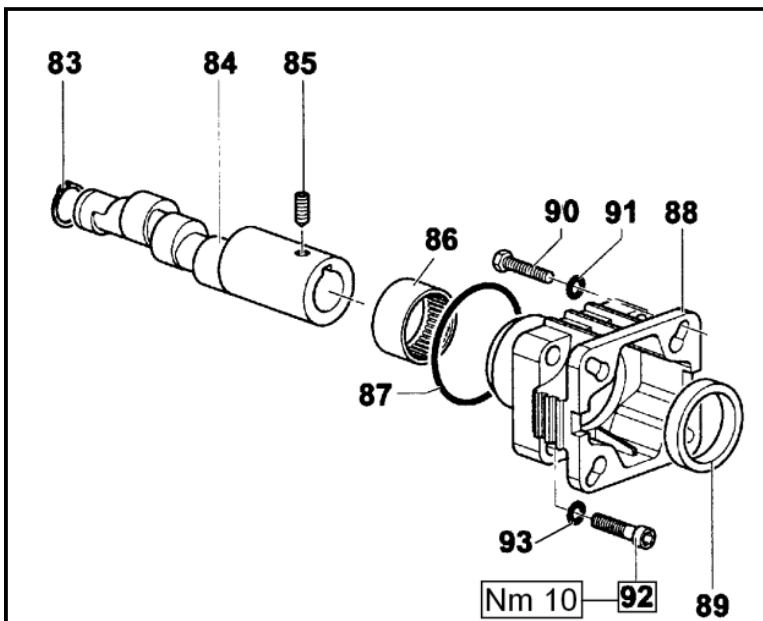
DIS. COD. 63.9503.00

SERIE 63

POS	COD.	DESCRIZIONE - DESCRIPTION	NR
72	90.0635.00	Anello d'arresto A25	1
73	63.0277.65	Albero ecc. C.6.5 – UH2011	1
	63.0280.65	Albero ecc. C.8 – UH2013	1
	63.0282.65	Albero ecc. C.9 – UH2014	1
	63.0284.65	Albero ecc. C.10 – UH2016	1
74	99.1790.00	Vite M6x6 UNI 5929	1
75	91.8568.00	Boccola a rullini	1
76	90.4097.00	OR D. 55.56x3.56 NBR SH. 70 159	1
77	10.0518.22	Flangia per motore a scoppio	1
78	90.1690.00	Anello rad. D. 45.0x62.0x8.0	1
79	99.2755.00	Vite 5/16"x1"	4
	99.3346.00	Vite 3/8"x1"-1/4	4
80	96.7020.00	Rosetta D. 8.4x15.0x1.5 UNI 1736	4
	96.7104.00	Rosetta D. 10.5x16.0x1.0	4
81	99.1912.00	Vite M6x30 UNI 5931	4
82	96.6938.00	Rosetta D. 6.4x10.0x0.7	4

VERSION C3/4" (for gasoline engines SAE J 609 type A ext.3)

UH2008 – UH2011 – UH2013



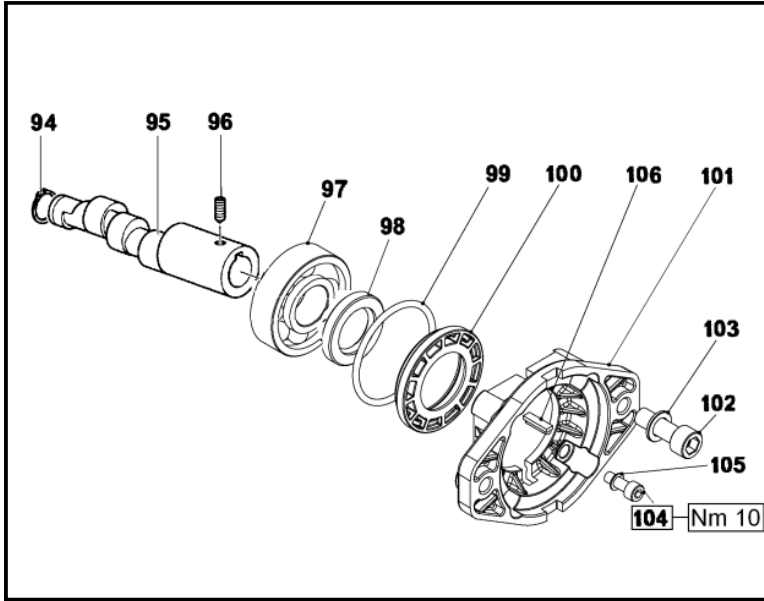
DIS. COD. 63.9504.00

SERIE 63

POS	COD.	DESCRIZIONE - DESCRIPTION	NR
83	90.0635.00	Anello d'arresto A25	1
84	63.0262.65	Albero ecc. C.5 – UH2008	1
	63.0264.65	Albero ecc. C.6.5 – UH2011	1
	63.0266.65	Albero ecc. C.8 – UH2013	1
85	99.1790.00	Vite M6x6 UNI 5929	1
86	91.8568.00	Boccola a rullini	1
87	90.4097.00	OR D. 55.56x3.56 NBR SH. 70 159	1
88	10.0617.22	Flangia per motore a scoppio	1
89	90.1687.00	Anello rad. D. 45.0x60.0x8.0	1
90	99.2730.00	Vite 5/16"x3/4"x24	4
91	96.7014.00	Rosetta D. 8.4x13.0x0.8	4
92	99.1912.00	Vite M6x30 UNI 5931	4
93	96.6938.00	Rosetta D. 6.4x10.0x0.7	4

VERSION I (for hydraulic motors SAE J 744 type A – 5/8")

UL1716



POS	COD.	DESCRIZIONE - DESCRIPTION	NR
94	90.0635.00	Anello d'arresto A25	1
95	63.0237.65	Albero ecc. C.12.5 – UL1716	1
96	99.1790.00	Vite M6x6 UNI 5929	1
97	91.8371.00	Cuscinetto a sfere	1
98	90.1644.00	Anello rad. D. 30.0x42.0x7.0	1
99	90.4097.00	OR D. 55.56x3.56 NBR SH. 70 159	1
100	50.2115.51	Distanziale	1
101	10.0763.22	Flangia per motore idraulico	1
102	99.3686.00	Vite M10x30 UNI 5931	2
103	96.7103.00	Rosetta D. 10.5x18.0x2.0	2
104	99.1868.00	Vite M6x18 UNI 5931	4
105	96.6938.00	Rosetta D. 6.4x10.0x0.7	4
105	91.4685.00	Linguetta 4/4.8x18	1

SERIE 63

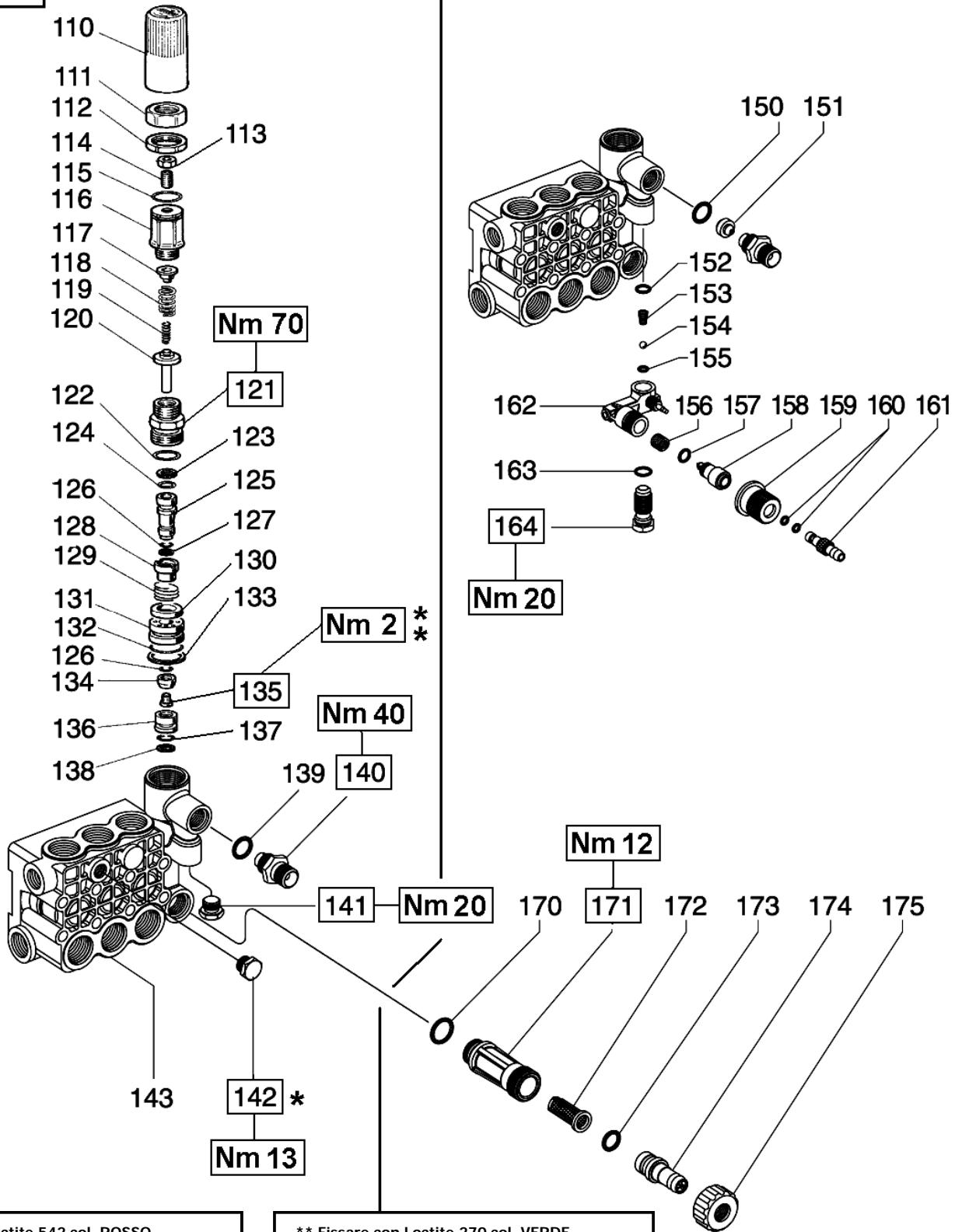


VH VERSION

VERSIONE CON VALVOLA DI REGOLAZIONE AUT. – VERSION WITH BUILT-IN AUT. UNLOADER
 VERSION AVEC RÉGULATEUR AUT. DE PRESSION INCORPORÉ
 AUSFÜHRUNG MIT EINGEBAUTEM AUT. DRUCKREGULIERVENTIL
 VERSIÓN CON REGULADOR AUT. DE PRESIÓN INCORPORADO - VERSÃO COM VÁLVULA DO REGULAMENTO AUT.

OPTIONALS

SERIE 63



* Fissare con Loctite 542 col. ROSSO
 * Affix with Loctite 542 col. RED
 * Fixer avec de la Loctite 542 couleur ROUGE
 * Mit Loctite 542 ROT befestigen
 * Fijar con Loctite 542 col. ROJO
 * Fixar com Loctite 542 cor. VERMELHA

** Fissare con Loctite 270 col. VERDE
 ** Affix with Loctite 270 col. GREEN
 ** Fixer avec de la Loctite 270 couleur VERT
 ** Mit Loctite 270 GRÜN befestigen
 ** Fijar con Loctite 270 col. VERDE
 ** Fixar com Loctite 270 cor. VERDE

DIS. COD. 63.9505.00

VH VERSION

**VERSIONE CON VALVOLA DI REGOLAZIONE AUT. – VERSION WITH BUILT-IN AUT. UNLOADER
VERSION AVEC RÉGULATEUR AUT. DE PRESSION INCORPORÉ
AUSFÜHRUNG MIT EINGEBAUTEM AUT. DRUCKREGULIERVENTIL
VERSIÓN CON REGULADOR AUT. DE PRESIÓN INCORPORADO - VERSÃO COM VÁLVULA DO REGULAMENTO AUT.**

POS	COD.	DESCRIZIONE – DESCRIPTION - KIT	NR
110	36.3187.51	Pomolo	1
111	36.3186.70	Ghiera di registro pressione	1
112	92.2935.00	Dado M28x1.5	1
113	92.2218.00	Dado M8x13 UNI 5589	1
114	99.3054.00	Vite M8x20 UNI 5923	1
115	90.3598.00	OR D. 20.35x1.78 NBR SH. 70 2081	1
116	36.3185.70	Registro pressione	1
117	36.3169.70	Piattello molla	1
118	94.7436.00	Molla Dm. 15.0x35.0	1
119	94.7345.00	Molla Dm. 7.6x29.0	1
120	36.3233.70	Piattello inferiore molla	1
121	36.3228.70	Boccola di guida	1
122	90.3857.00	OR D. 23.81x2.62 NBR SH. 70 132	1
123	90.5052.00	Anello antiest. D. 9.6x14.0x1.5	137 1
124	90.3820.00	OR D. 9.13x2.62 NBR SH. 70 109	137 1
125	36.3234.70	Pistoncino di comando	137 1
126	90.3575.00	OR D. 6.75x1.78 NBR SH. 70 106	137 2
127	90.5025.00	Anello antiest. D. 7.0x10.0x1.5	137 1
128	36.3230.70	Distanziale	137 1
129	94.7485.00	Molla Dm. 18.5x11.0	137 1
130	36.3231.51	Valvola	137 1
131	36.3229.70	Guida valvola	137 1
132	90.3600.00	OR D. 21.95x1.78 NBR SH. 70 2087	137 1
133	90.5144.00	Anello antiest. D. 22.0x25.0x1.5	137 1
134	36.3190.66	Valvola sferica	137 1
135	99.1509.00	Vite M5x8.5x0.5 - INOX	137 1
136	36.3164.66	Sede valvola	137 1
137	90.3822.00	OR D. 9.92x2.62 NBR SH. 70 112	137 1
138	90.5065.00	Anello antiest. D. 10.6x15.0x2.0	137 1
139	90.3832.00	OR D. 13.95x2.62 NBR SH. 70 3056	94 1
140	10.0078.70 10.0147.70	Nipplo G 3/8" con D. 3 Nipplo M22x1.5 con D. 3	1
141	98.2057.00	Tappo M14x1.5	1

POS	COD.	DESCRIZIONE – DESCRIPTION - KIT	NR
142	98.2041.00	Tappo G 1/4"x9	1
143	63.1201.41 63.1204.41	Testata D. 15 Testata D. 18	1
OPTIONALS			
POS	COD.	DESCRIZIONE – DESCRIPTION - KIT	NR
150	90.3822.00	OR D. 9.92x2.62 NBR SH. 70 112	94 1
151	10.0437.70 10.0151.66 10.0076.66	Ugello D.1.6 (<8 l/min.) Ugello D.2 (8÷11 l/min.) Ugello D.2.2 (12÷17 l/min.)	1
152	90.3582.00	OR D. 9.25x1.78 NBR SH. 70 2037	94 1
153	94.8217.00	Molla conica D. 4.3/7.3x11.0	94 1
154	97.4782.00	Sfera D. 7/32"	94 1
155	90.3572.00	OR D. 5.28x1.78 NBR SH. 70 2021	94 1
156	94.7383.00	Molla Dm. 9.75x10.0	94 1
157	90.3580.00	OR D. 8.73x1.78 NBR SH. 70 108	94 1
158	36.2564.70	Otturatore	1
159	36.2565.51	Pomolo	1
160	90.3570.00	OR D. 4.48x1.78 NBR SH. 70 2018	94 2
161	36.2566.70	Innesto porta-gomma	1
162	36.3181.51	Corpo dosatore	1
163	90.3585.00	OR D. 10.82x1.78 NBR SH. 70 2043	94 1
164	36.2563.70	Sede valvola	1
170	90.3841.00	OR D. 17.13x2.62 NBR SH. 70 3068	1
171	36.3182.51	Nipplo aspirazione G 3/4"	1
172	92.8925.00	Filtro	1
173	90.3828.00	OR D. 12.37x2.62 NBR SH. 70 3050	1
174	36.2569.51	Porta-gomma aspirazione	1
175	92.9828.00	Ghiera G 3/4"	1

KIT RICAMBI – SPARE KITS

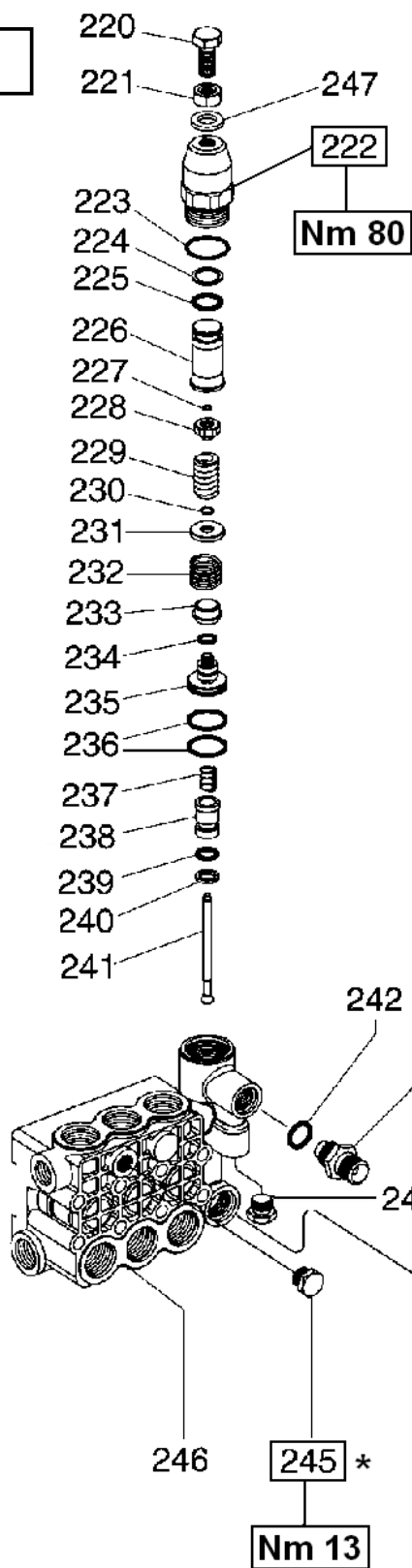
KIT NR.	KIT 94	KIT 137
Posizioni incluse Positions included	139 - 150 - 152 153 - 154 - 155 156 - 157 - 160 163	123 - 124 - 125 126 - 127 - 128 129 - 130 - 131 132 - 133 - 134 135 - 136 - 137 138
Nr. Pcs.	1÷2	1÷2

VK VERSION

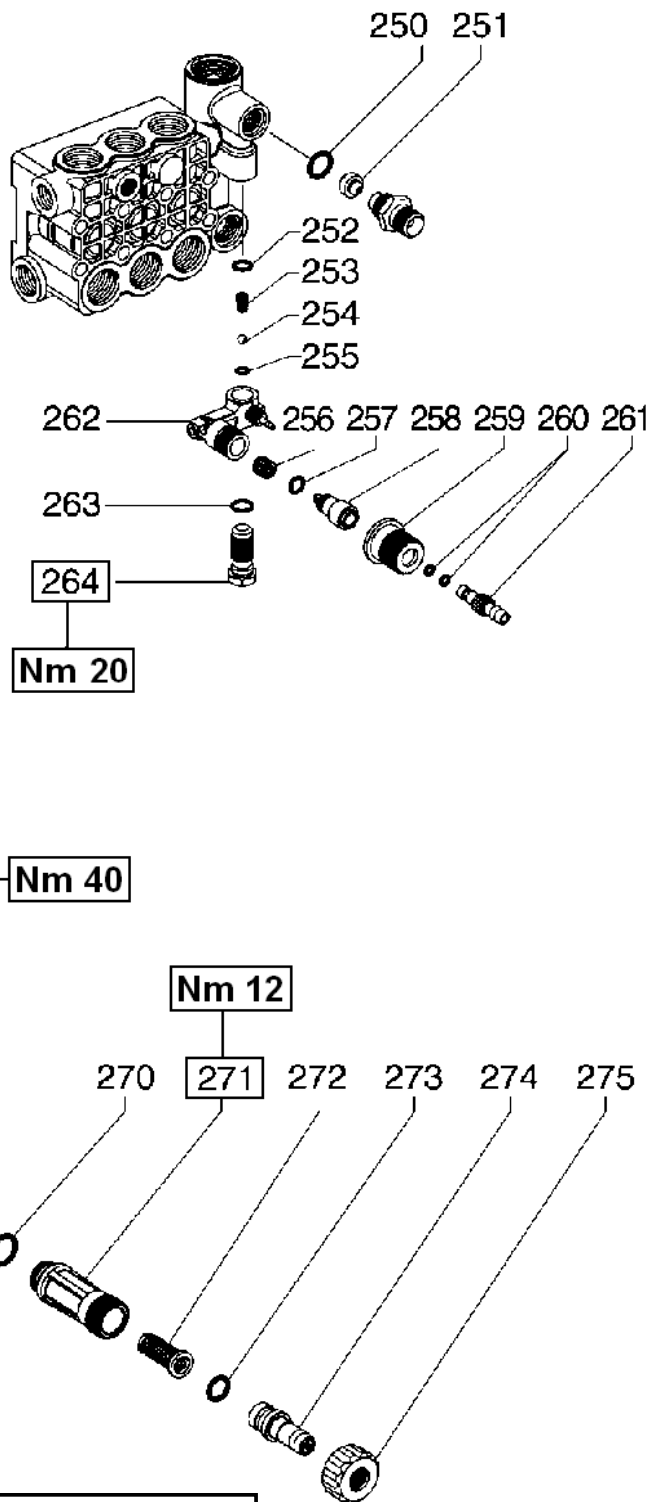
VERSIONE CON VALVOLA DI REGOLAZIONE AUT. – VERSION WITH BUILT-IN AUT. UNLOADER
 VERSION AVEC RÉGULATEUR AUT. DE PRESSION INCORPORÉ
 AUSFÜHRUNG MIT EINGEBAUTEM AUT. DRUCKREGULIERVENTIL

VERSIÓN CON REGULADOR AUT. DE PRESIÓN INCORPORADO - VERSÃO COM VÁLVULA DO REGULAMENTO AUT.

SERIE 63



OPTIONALS



* Fissare con Loctite 542 col. ROSSO
 * Affix with Loctite 542 col. RED
 * Fixer avec de la Loctite 542 couleur ROUGE
 * Mit Loctite 542 ROT befestigen
 * Fijar con Loctite 542 col. ROJO
 * Fixar com Loctite 542 cor. VERMELHA

** Fissare con Loctite 270 col. VERDE
 ** Affix with Loctite 270 col. GREEN
 ** Fixer avec de la Loctite 270 couleur VERT
 ** Mit Loctite 270 GRÜN befestigen
 ** Fijar con Loctite 270 col. VERDE
 ** Fixar com Loctite 270 cor. VERDE

DIS. COD. 63.9506.00

VK VERSION

**VERSIONE CON VALVOLA DI REGOLAZIONE AUT. – VERSION WITH BUILT-IN AUT. UNLOADER
VERSION AVEC RÉGULATEUR AUT. DE PRESSION INCORPORÉ
AUSFÜHRUNG MIT EINGEBAUTEM AUT. DRUCKREGULIERVENTIL
VERSIÓN CON REGULADOR AUT. DE PRESIÓN INCORPORADO - VERSÃO COM VÁLVULA DO REGULAMENTO AUT.**

POS	COD.	DESCRIZIONE – DESCRIPTION - KIT	NR
220	99.3663.00	Vite M10x1.25x25 UNI 5740	1
221	92.2368.00	Dado M10x1.25x17 UNI 5589	1
222	36.3270.70	Corpo superiore	1
223	90.3604.00	OR D. 25.12x1.78 NBR SH. 70 2100	1
224	90.5090.00	Anello antiest. D. 15.8x20.0x1.3	1
225	90.3835.00	OR D. 15.08x2.62 NBR SH. 70 119	1
226	36.3271.70	Fine corsa	1
227	90.0059.00	Anello d'arresto A05 UNI 7433	177 1
228	36.3274.70	Piattello molla	177 1
229	94.7408.00	Molla Dm. 12.5x26.0	177 1
230	90.0062.00	Anello d'arresto A08 UNI 7433	177 1
231	36.3273.70	Piattello molla	177 1
232	94.7480.00	Molla Dm. 18.2x16.5	177 1
233	36.3277.56	Otturatore	177 1
234	90.3581.00	OR D. 8.73x1.78 NBR SH. 70 108	177 1
235	36.3272.70	Pistoncino di comando	177 1
236	92.7710.00	Fascia elastica D. 25	177 2
237	94.7372.00	Molla Dm. 9.3x15.0	177 1
238	36.3276.66	Sede valvola	177 1
239	90.3823.00	OR D. 9.92x2.62 NBR SH. 70 112	177 1
240	90.5065.00	Anello antiest. D. 10.6x15.0x2.0	177 1
241	36.3275.66	Asta valvola	177 1
242	90.3832.00	OR D. 13.95x2.62 NBR SH.70 3056	94 1
243	10.0078.70 10.0147.70	Nipplo G 3/8" con D. 8 Nipplo M22x1.5 con D. 8	1
244	98.2057.00	Tappo M14x1.5	1
245	98.2041.00	Tappo G 1/4"x9	1
246	63.1201.41 63.1204.41	Testata D. 15 Testata D. 18	1
247	96.7103.00	Rosetta D. 10.5x18.0x2.0	1

OPTIONALS			
POS	COD.	DESCRIZIONE – DESCRIPTION - KIT	NR
250	90.3822.00	OR D. 9.92x2.62 NBR SH. 70112	94 1
251	10.0437.70 10.0151.66 10.0076.66	Ugello D.1.6 (<8 l/min.) Ugello D.2 (8-11 l/min.) Ugello D.2.2 (12-15 l/min.)	1
252	90.3582.00	OR D. 9.25x1.78 NBR SH. 70 2037	94 1
253	94.8217.00	Molla conica D. 4.3/7.6x11.0	94 1
254	97.4782.00	Sfera D. 7/32"	94 1
255	90.3572.00	OR D. 5.28x1.78 NBR SH. 70 2021	94 1
256	94.7383.00	Molla Dm. 9.75x10.0	94 1
257	90.3580.00	OR D. 8.73x1.78 NBR SH. 70 108	94 1
258	36.2564.70	Otturatore	1
259	36.2565.51	Pomolo	1
260	90.3570.00	OR D. 4.48x1.78 NBR SH. 70 2018	94 2
261	36.2566.70	Innesto porta-gomma	1
262	36.3181.51	Corpo dosatore	1
263	90.3585.00	OR D. 10.82x1.78 NBR SH. 70 2043	94 1
264	36.2563.70	Sede valvola	1
270	90.3841.00	OR D. 17.13x2.62 NBR SH. 70 3068	1
271	36.3182.51	Nipplo aspirazione G 3/4"	1
272	92.8925.00	Filtro	1
273	90.3828.00	OR D. 12.37x2.62 NBR SH. 70 3050	1
274	36.2569.70	Porta-gomma aspirazione	1
275	92.9828.00	Ghiera G 3/4"	1

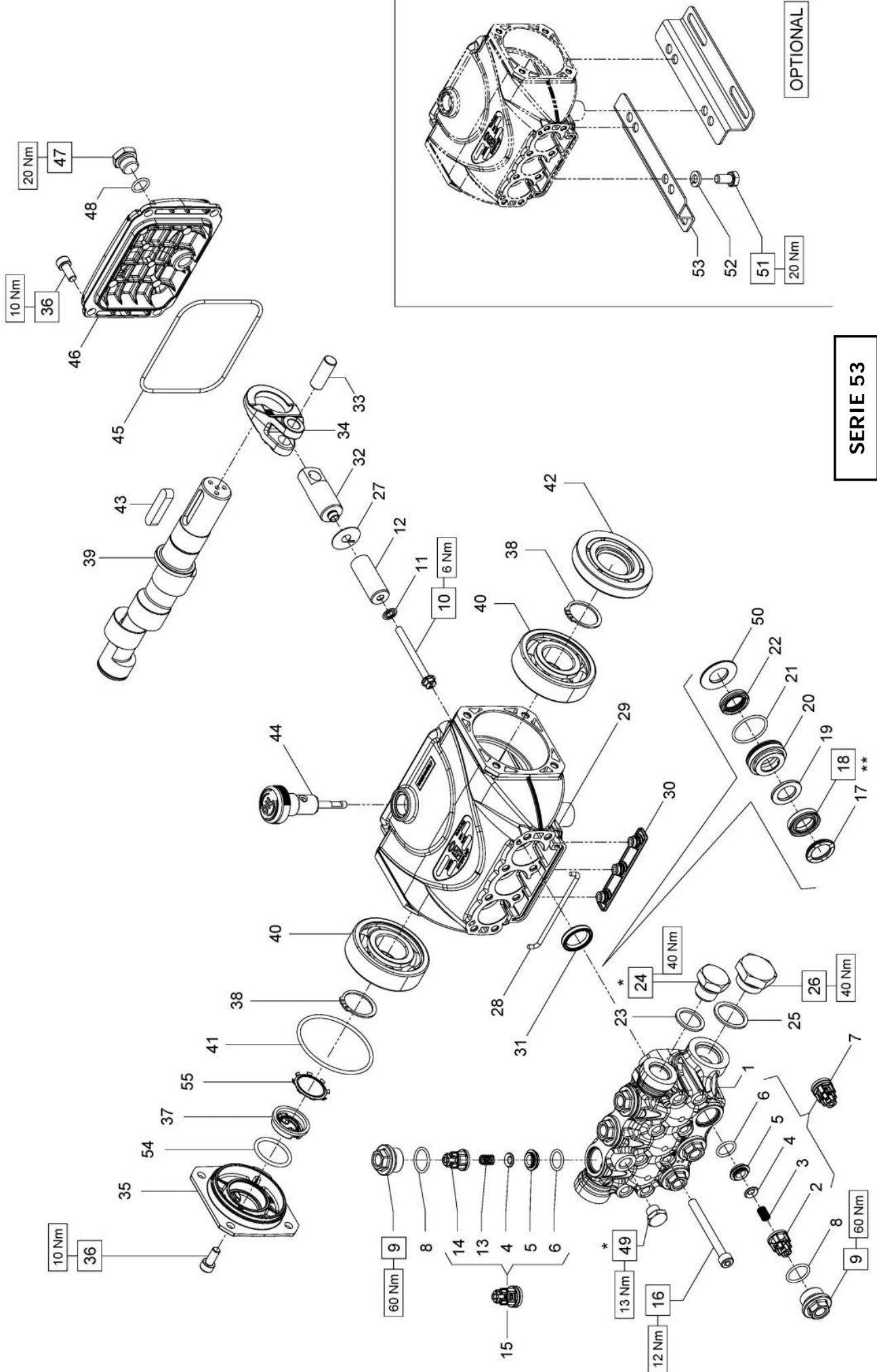
KIT RICAMBI – SPARE KITS

KIT NR.	KIT 94	KIT 177
Posizioni include Positions included	242 - 250 - 252 253 - 254 - 255 256 - 257 - 260 263	227 - 228 - 229 230 - 231 - 232 233 - 234 - 235 236 - 237 - 238 239 - 240 - 241
Nr. Pcs.	1÷2	1÷2

DIS. COD. 53.9500.00

** Lubrificare con grasso di vaselina
 ** To lubricate with vaseline grease
 ** Lubrifier avec gras des vaseline
 ** Sich mit fett zum vaselin schmieren
 ** Para lubricar con la grasa de vaselina
 ** Para lubrificar com a graxa de vaselina

* Fissare con Loctite 542 col. ROSSO
 * Affix with Loctite 542 col. RED
 * Fixer avec de la Loctite 542 couleur ROUGE
 * Mit Loctite 542 ROT befestigen
 * Fijar con Loctite 542 col. ROJO
 * Fixar com Loctite 542 cor. VERMELHA



SERIE 53



E1B1807 - E1B1808 - E1B1809 - E1B1611 - E1B1612
 E1B1613 - E1B1614 - E1B1810 - E1C1808 - E1C1609
 E1C1810 - E1C1811 - E1C1612 - E1C1613 - E1C1614
 E1D1807 - E1D1808 - E1D1810 - E1D1811 - E1D1813
 E1D1814 - E1E1808 - E1E1810 - E1E1811 - E1E1812
 E1E1813 - E1E3106 - E1E3107 - E1E3108 - E1E3109
 E1E3110 - E1E3111 - E1E3112 - E1E3113 - E1E1814
 E1E2111

PISTON D. 13	PISTON D. 15	PISTON D. 18
E1E3106 - E1E3107 E1E3108 - E1E3109 E1E3110 - E1E3111 E1E3112 - E1E3113	E1B1807 - E1B1808 - E1B1809 E1B1810 - E1C1808 - E1C1810 E1C1811 - E1D1807 - E1D1808 E1D1810 - E1D1811 - E1D1813 E1D1814 - E1E1808 - E1E1810 E1E1812 - E1E1813 - E1E1811 E1E1814 - E1E2111	E1B1611 - E1B1612 E1C1614 - E1C1609 E1C1612 - E1C1613 E1C1614 - E1B1613

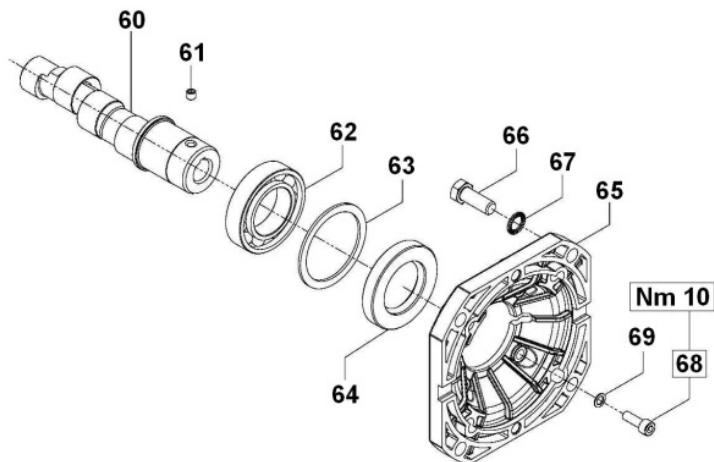
POS	COD.	DESCRIZIONE - DESCRIPTION - KIT	NR
1	53.1206.15 53.1200.15 53.1201.15	Testata pompa D. 13 Testata pompa D. 15 Testata pompa D. 18	1
2	36.2119.51	Guida valvola d'aspirazione	3
3	94.7326.00	Molla Dm. 6.0x12.0	309
4	36.2112.76	Valvola sferica	309
5	36.2113.66	Sede valvola	309
6	90.3674.00	OR D. 12.00x2.00 NBR SH. 70	309
7	36.7224.01	Gr. valvola d'aspirazione	309
8	90.3593.00	OR D. 15.60x1.78 NBR SH. 70 2062 310-333	6
9	98.2137.30 98.2137.40	Tappo M18x1.5x10 - D.15-18 Tappo M18x1.5x10 - D.13	310 333
10	99.1690.00	Vite M5x55	3
11	96.6905.00	Rosetta D. 5.0x11.5x0.4	3
12	63.0406.09 53.0400.09 63.0405.09	Pistone D. 13x38.5 Pistone D. 15x38.5 Pistone D. 18x38.5	3
13	94.7333.00	Molla Dm. 6.2x10.4	309
14	36.2111.51	Guida valvola di mandata	309
15	36.7193.01	Gr. valvola di mandata	309
16	99.1990.00	Vite M6x60 UNI 5931	8
17	44.1002.51 63.1010.51 63.1011.51	Anello di testa D. 13 Anello di testa D. 15 Anello di testa D. 18	318-319 312-313 314-315

KIT RICAMBI - SPARE KITS				PISTONE - PISTON D. 13				PISTONE - PISTON D. 15				PISTONE - PISTON D. 18				
KIT Nr.	KIT 309	KIT 311	KIT 333	KIT 318	KIT 319	KIT 310	KIT 312	KIT 313	KIT 310	KIT 314	KIT 315	KIT 310	KIT 312	KIT 313	KIT 314	KIT 315
Posizioni Include Positions Included	2 - 3 - 4 5 - 6 - 13 14 (7) - (15)	31	8 - 9	17 - 18 19 - 21 22	17 - 18 19 - 20 21 - 22 50	8 - 9	17 - 18 19 - 21 22	17 - 18 19 - 20 21 - 22 50	8 - 9	17 - 18 19 - 21 22	17 - 18 19 - 20 21 - 22 50	8 - 9	17 - 18 19 - 21 22	17 - 18 19 - 20 21 - 22 50	17 - 18 19 - 20 21 - 22 50	17 - 18 19 - 20 21 - 22 50
Nr. Pcs.	3 + 6	3	6	3	1	6	3	1	6	3	1	6	3	1	6	1

POS	COD.	DESCRIZIONE - DESCRIPTION - KIT	NR	POS	COD.	DESCRIZIONE - DESCRIPTION - KIT	NR
18	90.2602.00 90.2611.00	An. ten. alt. D.13x21x4 HP An. ten. alt. D.15x24x5.4/3.4 HP	318-319 312-313	20	53.2104.70 53.2101.70 53.2102.70	Supporto guarnizione D. 13 Supporto guarnizione D. 15 Supporto guarnizione D. 18	319 313 315
19	90.2653.50	An. ten. alt. D.18x28x6/3.7 HP	314-315	21	90.3604.00	OR D. 25.12x1.78 NBR SH. 70 2100 312-313-314-315-318-319	3
20	90.5076.50 90.5089.90 90.5111.50	Anello antist. D. 13x21x3 Anello antist. D. 15x24x2 Anello antist. D. 18x28x2	318-319 312-313 314-315	22	90.2601.00 90.2608.00 90.2650.00	An. ten. alt. D. 13x20x5 LP An. ten. alt. D. 15x22x5 LP An. ten. alt. D. 18x24x5 LP	318-319 312-313 314-315
21	90.5089.90 90.5111.50	Anello antist. D. 13x21x3 Anello antist. D. 15x24x2	318-319 312-313	23	96.7380.00	Rosetta D. 17.5x23.0x1.5	1
22	90.2601.00 90.2608.00 90.2650.00	An. ten. alt. D. 13x20x5 LP An. ten. alt. D. 15x22x5 LP An. ten. alt. D. 18x24x5 LP	318-319 312-313 314-315	24	98.2100.50	Tappo G 3/8"x13 TE22 - Zinc.	1
23	96.7380.00	Rosetta D. 17.5x23.0x1.5	1	25	96.7514.00	Rosetta D. 21.5x27.0x1.5	1
24	98.2100.50	Tappo G 3/8"x13 TE22 - Zinc.	1	26	98.2187.00	Tappo G 1/2"x10 TE27 - Zinc.	1
25	96.7514.00	Rosetta D. 21.5x27.0x1.5	1	27	96.6990.00	Rosetta D. 7.5x23.0x0.5	3
26	98.2187.00	Tappo G 1/2"x10 TE27 - Zinc.	1	28	53.2103.82	Guarnizione spugna D. 3x85	1
27	96.6990.00	Rosetta D. 7.5x23.0x0.5	3	29	53.0100.22	Carter pompa	1
28	53.2103.82	Guarnizione spugna D. 3x85	1	30	58.2104.51	Protezione	1
29	53.0100.22	Carter pompa	1	31	90.1593.00	Anello rad. D. 18.0x24.0x4.0	311
30	58.2104.51	Protezione	1	32	53.0500.66	Guida pistone	3
31	90.1593.00	Anello rad. D. 18.0x24.0x4.0	311	33	97.7338.00	Spinotto D. 10x26.5	3
32	53.0500.66	Guida pistone	3	34	53.0300.22	Biella	3
33	97.7338.00	Spinotto D. 10x26.5	3	35	53.1500.22	Coperchio laterale carter	1
34	53.0300.22	Biella	3	36	99.1837.00	Vite M6x14 UNI 5931	8
35	53.1500.22	Coperchio laterale carter	1	37	53.2108.51	Vetrino spia livello olio	1
36	99.1837.00	Vite M6x14 UNI 5931	8	38	90.0635.00	Anello d'arresto A25	2
37	53.2108.51	Vetrino spia livello olio	1				
38	90.0635.00	Anello d'arresto A25	2				

VERSION A (for electric motors NEMA 56 C)

E1C1808 - E1C1609 - E1C1612 - E1E1808
E1E1811 - E1E1812 - E1E3106



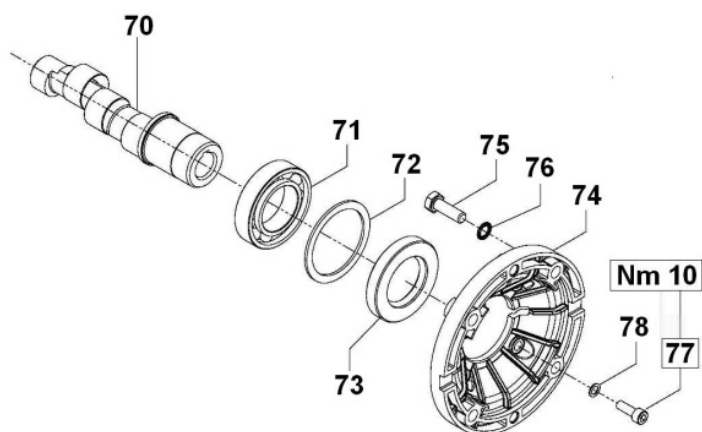
DIS. COD. 53.9501.00

SERIE 53

POS	COD.	DESCRIZIONE - DESCRIPTION	NR
60	60.0224.65	Albero ecc. C.5 - E1E1808 E1E3106	1
	60.0227.65	Albero ecc. C.6.5 - E1E1811	
	60.0229.65	Albero ecc. C.7.2 - E1C1609 E1E1812	
	60.0234.65	Albero ecc. C.9.4 - E1C1808 E1C1612	
61	99.1790.00	Vite M6x6 UNI 5929	1
62	91.8464.00	Cuscinetto a sfere	1
63	60.2101.89	Rondella distanziale	1
64	90.1675.00	Anello rad. D. 35.0x62.0x10.0	1
65	10.0344.22	Flangia per motore elettrico	1
66	99.3345.00	Vite 3/8" - 16x1"	4
67	96.7104.00	Rosetta D. 10.5x16.0x1.0	4
68	99.1867.00	Vite M6x18 UNI 5931	4
69	96.6938.00	Rosetta D. 6.4x10.0x0.7	4

VERSION B (for electric motors IEC 90 B14)

E1B1807 - E1B1808 - E1B1613 - E1B1810
E1D1808 - E1D1810 - E1D1811 - E1D1813



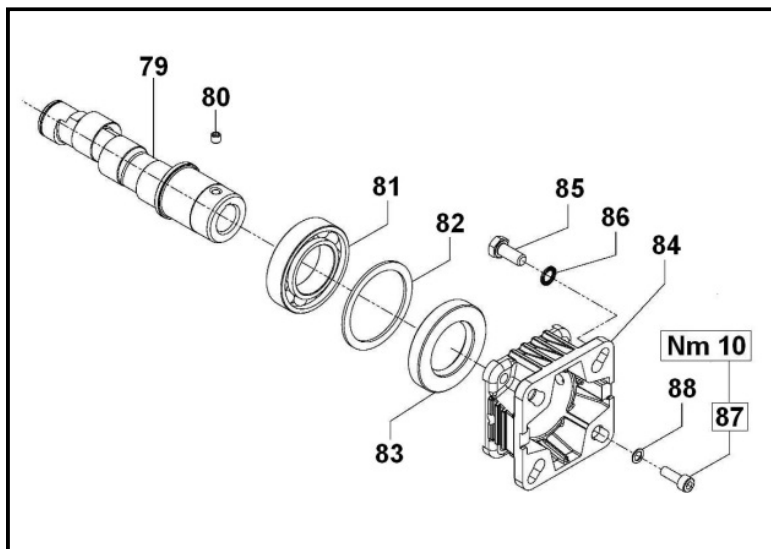
DIS. COD. 53.9502.00

SERIE 53

POS	COD.	DESCRIZIONE - DESCRIPTION	NR
70	60.0248.65	Albero ecc. C. 6 - E1D1808	1
	60.0251.65	Albero ecc. C. 7.2 - E1D1810	
	60.0253.65	Albero ecc. C. 8 - E1D1811	
	60.0286.65	Albero ecc. C. 9 - E1D1813	
	60.0256.65	Albero ecc. C. 9.4 - E1B1807	
	60.0261.65	Albero ecc. C. 11.5 - E1B1808 E1B1613	
	53.0202.65	Albero ecc. C. 13 - E1B1810	
71	91.8464.00	Cuscinetto a sfere	1
72	60.2101.89	Rondella distanziale	1
73	90.1675.00	Anello rad. D. 35.0x62.0x10.0	1
74	10.0345.22	Flangia per motore elettrico	1
75	99.3067.00	Vite M8x25 UNI 5739	4
76	96.7014.00	Rosetta D. 8.4x13.0x0.7	4
77	99.1867.00	Vite M6x18 UNI 5931	4
78	96.6938.00	Rosetta D. 6.4x10.0x0.7	4

VERSION C 3/4" (for gasoline engines SAE J 609 type A ext.3)

E1E1808 – E1E1811 – E1E1812 – E1E1813 – E1E2111



DIS. COD. 53.9503.00

SERIE 53

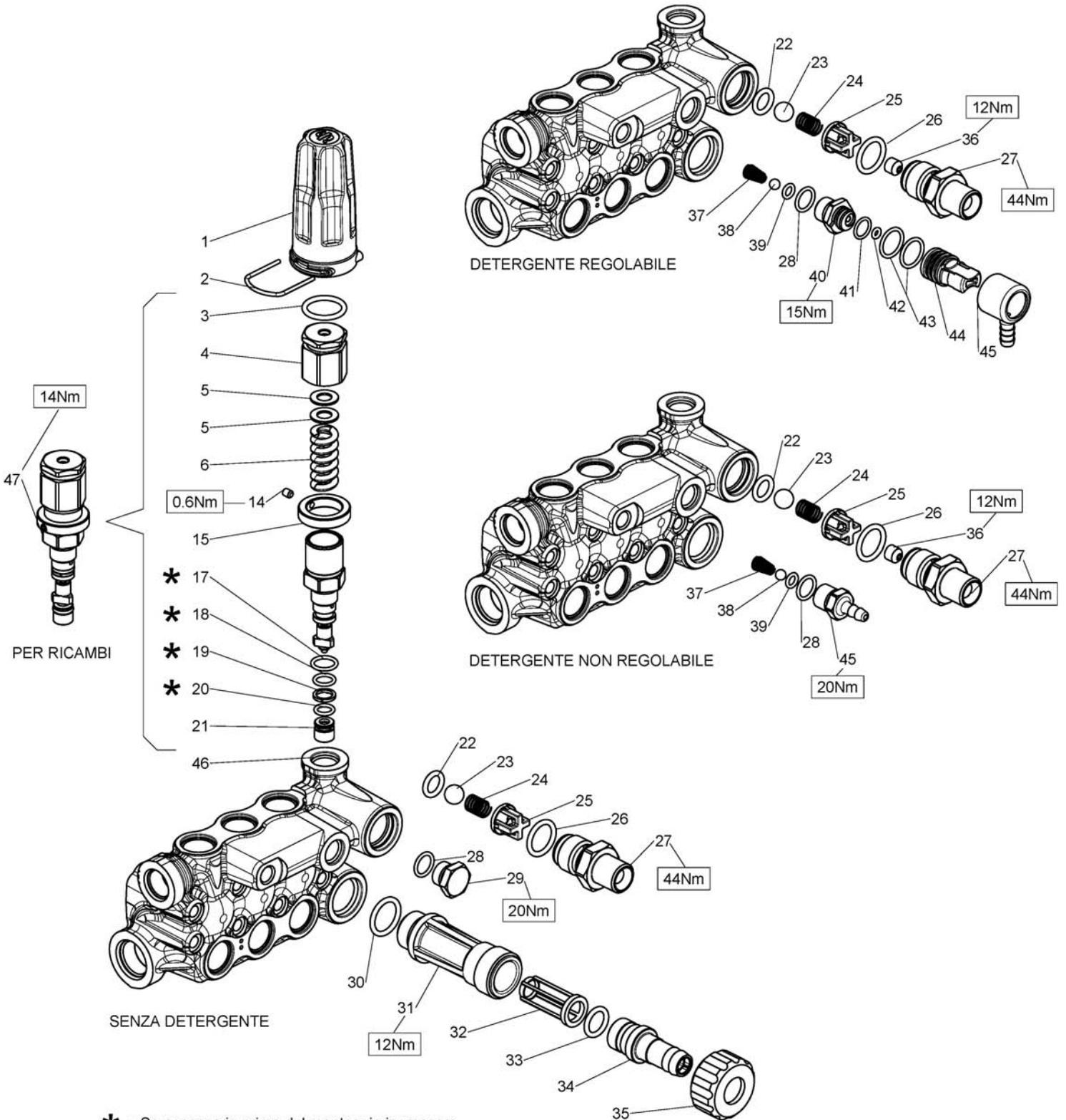
POS	COD.	DESCRIZIONE - DESCRIPTION	NR
79	60.0268.65	Albero ecc. C.5 - E1E1808	1
	60.0271.65	Albero ecc. C.6.5 - E1E1811 E1E2111	
	60.0273.65	Albero ecc. C.7.2 - E1E1812	
	60.0275.65	Albero ecc. C.8 - E1E1813	
80	99.1790.00	Vite M6x6 UNI 5929	1
81	91.8464.00	Cuscinetto a sfere	1
82	60.2101.89	Rondella distanziale	1
83	90.1675.00	Anello rad. D. 35.0x62.0x10.0	1
84	10.0652.22	Flangia per motore a scoppio	1
85	99.2730.00	Vite 5/16" - 24x3/4"	4
86	96.7014.00	Rosetta D. 8.4x13.0x0.7	4
87	99.1867.00	Vite M6x18 UNI 5931	4
88	96.6938.00	Rosetta D. 6.4x10.0x0.7	4

VH VERSION

VERSIONE CON VALVOLA DI REGOLAZIONE AUT. – VERSION WITH BUILT-IN AUT. UNLOADER
 VERSION AVEC RÉGULATEUR AUT. DE PRESSION INCORPORÉ
 AUSFÜHRUNG MIT EINGEAUTEM AUT. DRUCKREGULIERVENTIL
 VERSIÓN CON REGULADOR AUT. DE PRESIÓN INCORPORADO - VERSÃO COM VÁLVULA DO REGULAMENTO AUT.

OPTIONALS

SERIE 53



* = Se necessario prima del montaggio ingrassare.
 - Usare grasso di vaselina per pompe -

DIS. COD. 36.9563.00

VH VERSION

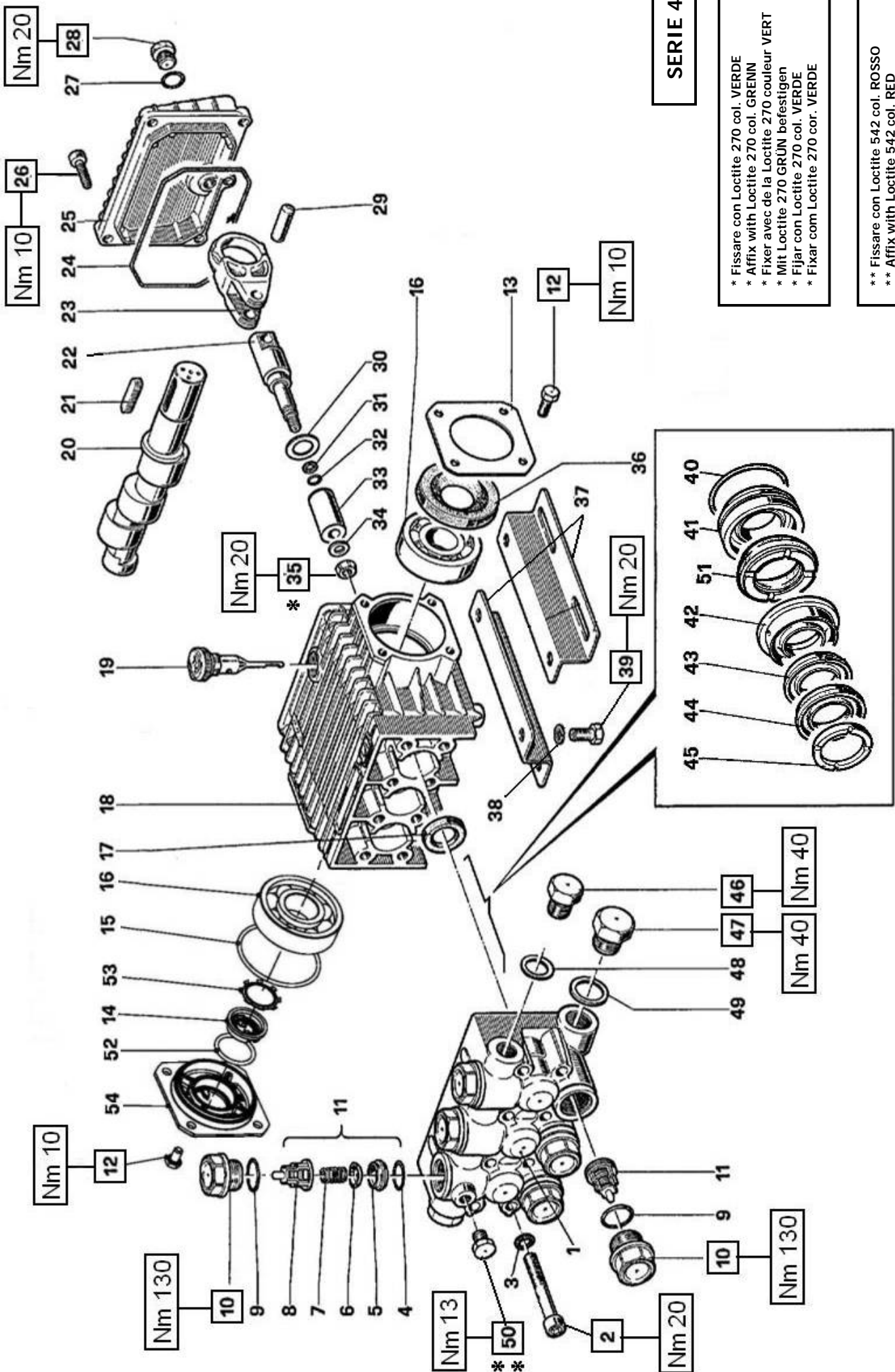
**VERSIONE CON VALVOLA DI REGOLAZIONE AUT. – VERSION WITH BUILT-IN AUT. UNLOADER
VERSION AVEC RÉGULATEUR AUT. DE PRESSION INCORPORÉ
AUSFÜHRUNG MIT EINGEAUTEM AUT. DRUCKREGULIERVENTIL
VERSIÓN CON REGULADOR AUT. DE PRESIÓN INCORPORADO - VERSÃO COM VÁLVULA DO REGULAMENTO AUT.**

POS	COD.	DESCRIZIONE – DESCRIPTION - KIT	NR
1	36.3506.51	Pomolo di regolazione	1
2	10.0846.66	Forcella per pomolo di regolazione	1
3	90.3845.00	OR D. 18.72x2.62 NBR SH. 70 3075	1
4	36.3481.70	Registro di pressione	1
5	36.3486.51	Rondella di scorrimento	2
6	94.7395.00	Molla Dm. 11.3x34.5	1
14	99.1267.00	Vite M4x5 UNI 5929	1
15	36.3477.70	Ghiera di pressione massima	1
17	90.3587.00	OR D. 11.11x1.78 NBR SH. 70 114	1
18	90.3581.00	OR D. 8.73x1.78 NBR SH. 70 108	1
19	90.5038.00	Anello antiest. D. 9.0x12.0x1.5	1
20	90.3578.00	OR D. 7.66x1.78 NBR SH. 70 2031	1
21	36.3483.66	Sede	1
22	90.3823.00	OR D. 9.92x2.62 NBR SH. 70 112	278 1
23	97.4838.00	Sfera D. 13/32"	278 1
24	94.7355.00	Molla Dm. 8.5x12.0	278 1
25	36.3104.51	Guida valvola	278 1
26	90.3839.00	OR D. 15.88x2.62 NBR SH. 70 121	278 1
27	36.3479.70 36.3490.70 36.3489.70 36.3488.70 36.3487.70	Nipplo G 3/8" – M – D. 3 Nipplo 3/8" NPT – F – D. 3 Nipplo G 3/8" – F – D. 3 Nipplo M22x1.5 – D. 3 Nipplo 3/8" NPT – M – D. 3	1
28	90.3585.00	OR D. 10.82x1.78 NBR SH. 70 2043 280-348	1
29	98.2041.00	Tappo G 1/4"x9	1
36	10.0795.66	Ugello per iniettore D. 2	1
37	94.8217.00	Molla conica D. 4.3/7.3x11.0	280-348 1
38	97.4782.00	Sfera D. 7/32"	280-348 1
39	90.3573.00	OR D. 5.28x1.78 NBR SH. 70 2021 280-348	1
40	36.3516.70	Sede detergente	348 1
41	90.3510.00	OR D. 9.50x1.50 NBR SH. 70	348 1
42	90.3566.00	OR D. 2.90x1.78 NBR SH. 70 2012	348 1
43	90.3591.00	OR D. 14.00x1.78 NBR SH. 70 2056	348 2
44	36.0234.51	Pomolo regolazione detergente	348 1
45	36.3492.70 36.0235.51	Portagomma Portagomma orientabile	280 348 1

POS	COD.	DESCRIZIONE – DESCRIPTION - KIT	NR
46	53.1202.15 53.1203.15 53.1204.15 53.1205.15	Testata pompa con valv. int. DX D. 15 Testata pompa con valv. int. DX D. 18 Testata pompa con valv. int. SX D. 15 Testata pompa con valv. int. SX D. 18	1
47	36.6054.01	Frutto valvola con sede	278 1
OPTIONALS			
30	90.3841.00	OR D. 17.13x2.62 NBR SH. 70 3068	1
31	36.3182.51	Nipplo aspirazione G 3/4"	1
32	92.8925.00	Filtro D. 12x35	1
33	90.3828.00	OR D. 12.37x2.62 NBR SH. 70 3050	1
34	36.2569.51	Portagomma aspirazione	1
35	92.9828.00	Ghiera G 3/4" – D. 15	1

KIT RICAMBI - SPARE KITS

KIT NR.	KIT 278	KIT 348	KIT 280
Posizioni include Positions included	22 - 23 24 - 25 26 - 47	28 - 37 38 - 39 40 - 41 42 - 43 44 - 45	28 - 37 38 - 39 45
Nr. Pcs.	1	1+2	1



SERIE 44

* Fissare con Loctite 270 col. VERDE
 * Affix with Loctite 270 col. GREEN
 * Fixer avec de la Loctite 270 couleur VERT
 * Mit Loctite 270 GRÜN befestigen
 * Fijar con Loctite 270 col. VERDE
 * Fixar com Loctite 270 cor. VERDE

** Fissare con Loctite 542 col. ROSSO
 ** Affix with Loctite 542 col. RED
 ** Fixer avec de la Loctite 542 couleur ROUGE
 ** Mit Loctite 542 ROT befestigen
 ** Fijar con Loctite 542 col. ROJO
 ** Fixar com Loctite 542 cor. VERMELHA

DIS. COD. 44.9504.00

	W97 - W112 - W124 - W130 - W140 - W150 W154 - W170 - W200 - W204 - W950 W951 - W952 - W953 - W954 - W955 W956 - W957 - W958 - W959 - W14200 W16180 - WW116 - WW136 - WW156 WW176 - WW186 - WW189 - WW206 WW209 - WW960 - WW961 - WW962
--	---

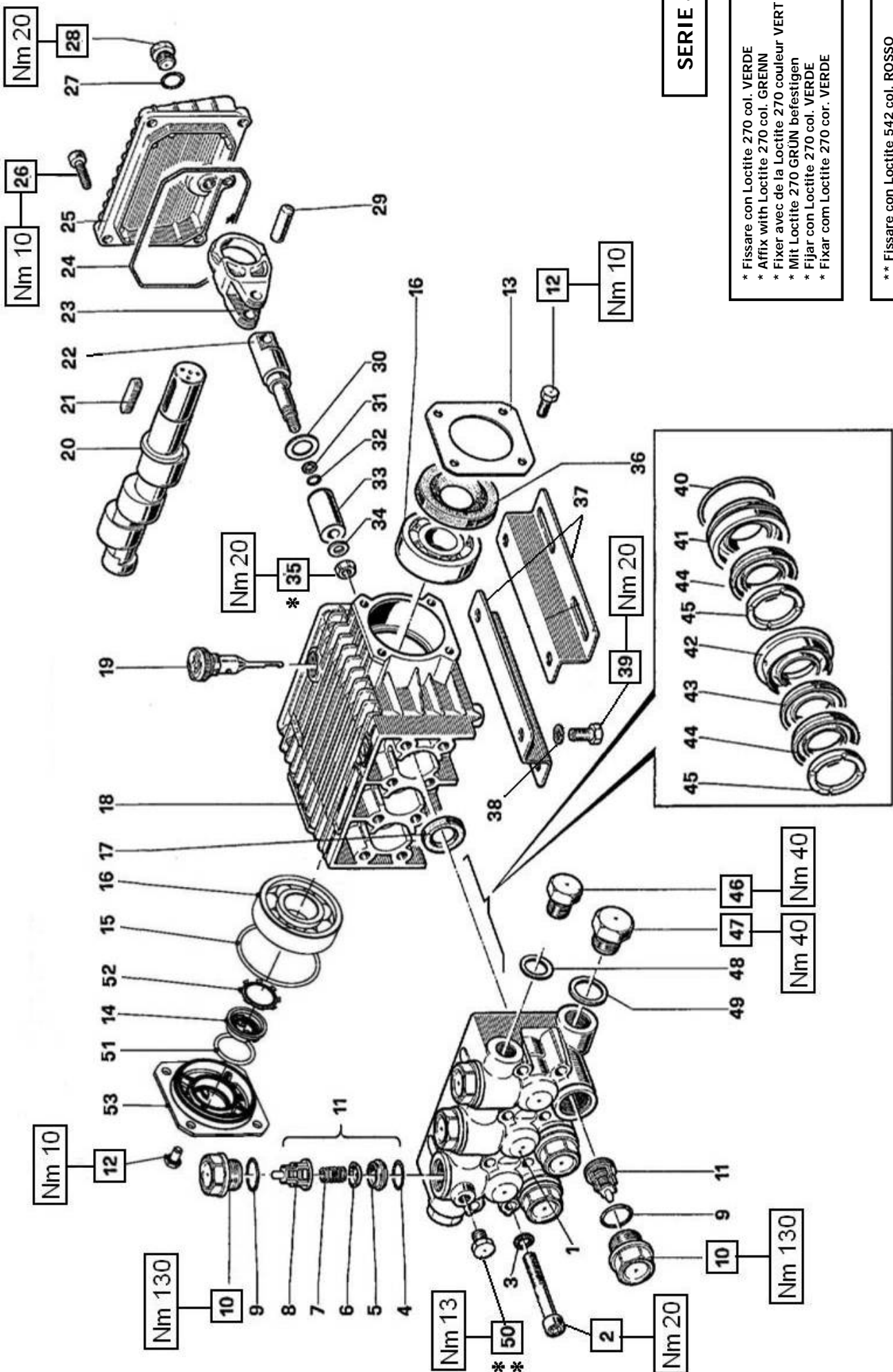
PISTONE - PISTON D. 15		PISTONE - PISTON D. 18	
OTTONE BRASS	W130 - W150 - W170 - W950 W951 - W952 - W953 - WW116 WW136 - WW156 - WW176 WW186 - WW189 - WW206 WW209 - WW960 - WW961 WW962		W97 - W112 - W124 - W140 W154 - W954 - W955 - W956 W957 - W958 - W959
NICKEL	-		W200 - W204 - W14200 - W16180

POS	COD.	DESCRIZIONE - DESCRIPTION - KIT	NR
1	44.1200.41 44.1204.41 44.1207.41	Testata D. 15 Testata D. 18 Testata D. 18 - NICKEL	1
2	99.3175.00	Vite M8x60 UNI 5931	8
3	96.7014.00	Rosetta D. 8.4x13.0x0.8	8
4	90.3841.00	OR D. 17.13x2.62 NBR SH. 70 3068	123
5	36.2003.66	Sede valvola	123
6	36.2001.76	Valvola	123
7	94.7376.00	Molla Dm. 9.4x14.8	123
8	36.2025.51	Guida valvola	123
9	90.3847.00	OR D. 20.24x2.62 NBR SH. 90 3081 124-158	6
10	98.2226.00 98.2225.00	Tappo M24x1.5x17 Tappo M24x1.5x17 - NICKEL	124 158
11	36.7115.01	Gr. valvola aspiraz./mand.	123
12	99.1807.00	Vite M6x10 UNI 5739	8
13	50.1500.74	Coperchio carter	1
14	53.2108.51	Vetrino spia livello olio	1
15	90.3898.00	OR D. 56.82x2.62 NBR SH. 70 3225	1

KIT RICAMBI - SPARE KITS		OTTONE BRASS		NICKEL		PISTONE - PISTON D. 15						PISTONE - PISTON D. 18			
KIT Nr.	KIT 23	KIT 123	KIT 124	KIT 158	KIT 88	KIT 89	KIT 90	KIT 125	KIT 130	KIT 126	KIT 127	KIT 128	KIT 129	KIT 131	
	17	4 - 5 6 - 7 8 - (11)	9 - 10	9 - 10	43 - 44 51	42	45	40 - 41	40 - 41 42 - 43 44 - 45 51	40 - 41	43 - 44 51	42	45	40 - 41 42 - 43 44 - 45 51	
	3	6	6	6	3	3	6	3	1	3	3	3	6	1	

POS	COD.	DESCRIZIONE - DESCRIPTION - KIT	NR
16	91.8331.00	Cuscinetto a sfere	2
17	90.1614.00	Anello rad. D. 20.0x30.0x5.0	23
18	44.0100.22	Carter pompa	1
19	98.2103.00	Tappo carico olio G 3/8"	1
20	44.0200.35 44.0202.35 44.0203.35	Albero ecc. C.9.5 - WW186 WW206 WW961 Albero ecc. C.8.5 - WW960 Albero ecc. C.11 - W112 W140 W150 W950 W954 W955 W956 WW16 WW156 WW962 WW209 W200 W14200	1
21	91.4892.00	Linguetta 8x7x35 UNI 6604	1
22	44.0500.66	Guida pistone	3
23	44.0300.22	Biella	3
24	90.3920.00	OR D. 101.27x2.62 NBR SH. 70 3400	1
25	44.1600.22	Coperchio posteriore	1
26	99.1837.00	Vite M6x14 UNI 5931	5
27	90.3585.00	OR D. 10.82x1.78 NBR SH. 70 2043	1
28	98.2042.50	Tappo G 1/4"x9 TE17 - Zinc.	1
29	97.7340.00	Spinotto D. 10x29.5	3
30	96.7350.00	Rosetta D. 16.0x27.0x1.7/0.7	3
31	90.5022.00	Anello antiest. D. 6.2x9.0x1.5	3
32	90.3572.00	OR D. 5.28x1.78 NBRSH. 70 2021	3
33	52.0400.09 44.0401.09	Pistone D. 15 Pistone D. 18	3

POS	COD.	DESCRIZIONE - DESCRIPTION - KIT	NR
34	44.2115.70	Rosetta D. 8 con collare	3
35	92.2216.00	Dado M8x13x5 - INOX	3
36	90.1641.00	Anello rad. D. 25.0x62.0x10.0	1
37	50.2000.74	Piedino pompa	2
38	96.7016.00	Rosetta D. 8.4 UNI 1751	4
39	99.3037.00	Vite M8x16 UNI 5739	4
40	90.3612.00	OR D. 31.47x1.78 NBR SH. 70 2125 125-126-130-131	3
41	44.0800.70 44.0801.70	Anello di fondo D. 15 Anello di fondo D. 18	125-130 126-131
42	52.2166.70 44.2161.70	Anello intermedio D. 15 Anello intermedio D. 18	89-130 128-131
43	90.2622.00 90.2683.00	Anello RESTOP D. 15 Anello RESTOP D. 18	88-130 127-131
44	90.2620.00 90.2682.00	Anello tenuta D. 15 HP Anello tenuta D. 18 HP	88-130 127-131
45	51.1000.51 44.1001.51	Anello di testa D. 15 Anello di testa D. 18	90-130 129-131
46	98.2100.00	Tappo G 3/8"x13	1
47	98.2176.00	Tappo G 1/2"x10	1
48	96.7380.00	Rosetta D. 17.5x23.0x1.5	1
49	96.7514.00	Rosetta D. 21.5x27.0x1.5	1
50	98.1966.00	Tappo G 1/8"x8	1
51	90.2617.00 90.2684.00	Anello tenuta D. 15 LP Anello tenuta D. 18 LP	88-130 127-131
52	90.3859.00	OR D. 25.7x2.62 NBR SH. 70 3100	1
53	90.0671.00	Anello d'arresto ZJ30	1
54	53.1500.22	Coperchio laterale	1

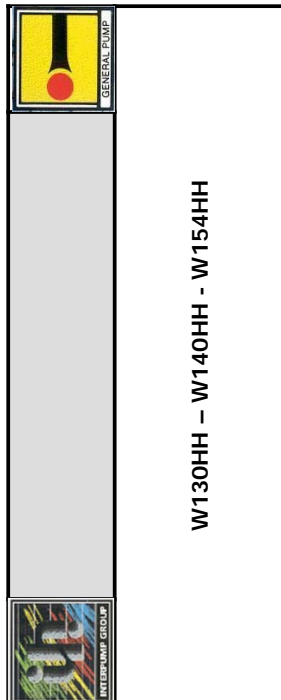


SERIE 44

* Fissare con Loctite 270 col. VERDE
 * Affix with Loctite 270 col. GREEN
 * Fixer avec de la Loctite 270 couleur VERT
 * Mit Loctite 270 GRÜN befestigen
 * Fijar con Loctite 270 col. VERDE
 * Fixar com Loctite 270 cor. VERDE

** Fissare con Loctite 542 col. ROSSO
 ** Affix with Loctite 542 col. RED
 ** Fixer avec de la Loctite 542 couleur ROUGE
 ** Mit Loctite 542 ROT befestigen
 ** Fijar con Loctite 542 col. ROJO
 ** Fixar com Loctite 542 cor. VERMELHA

DIS. COD. 44.9505.00



W130HH – W140HH - W154HH

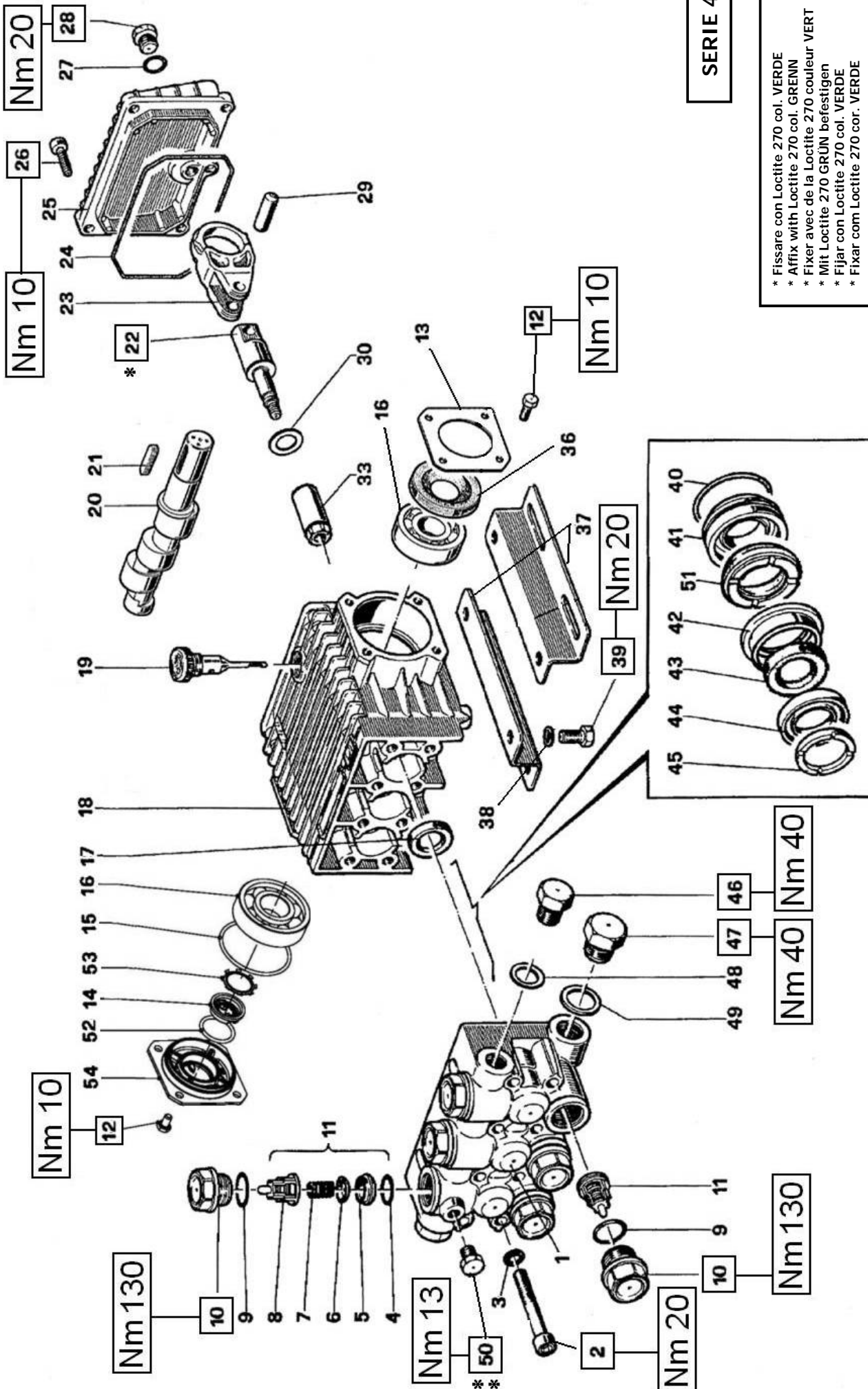
PISTONE – PISTON – D. 15		PISTONE – PISTON – D. 18	
	W130HH		W140HH - W154HH
POS	COD.	DESCRIZIONE – DESCRIPTION - KIT	NR
1	44.1200.41 44.1204.41	Testata D. 15 Testata D. 18	1
2	99.3175.00	Vite M8x60 UNI 5931	8
3	96.7014.00	Rosetta D. 8.4x13.0x0.8	8
4	90.3841.00	OR D. 17.13x2.62 NBR SH. 70 306 123	6
5	36.2003.66	Sede valvola	123
6	36.2001.76	Valvola	123
7	94.7376.00	Molla Dm. 9.4x14.8	123
8	36.2025.51	Guida valvola	123
9	90.3847.00	OR D.20.24x2.62 NBR SH. 90 3081 124	6
10	98.2226.00	Tappo M24x1.5x17	124
11	36.7115.01	Gr. valvola aspiraz./mandata	123
12	99.1807.00	Vite M6x10 UNI 5739	8
13	50.1500.74	Coperchio carter	1
14	53.2108.51	Vetrino spia livello olio	1
15	90.3898.00	OR D. 56.82x2.62 NBRSH. 70 3225	1
16	91.8331.00	Cuscinetto a sfere	2
17	90.1614.00	Anello rad. D. 20.0x30.0x5.0	23
18	44.0100.22	Carter pompa	1

KIT RICAMBI – SPARE KITS

PISTONE- PISTON D. 15					PISTONE- PISTON D. 18						
KIT Nr.	KIT 23	KIT 123	KIT 124	KIT 250	KIT 89	KIT 90	KIT 125	KIT 126	KIT 251	KIT 128	KIT 129
Posizioni include Positions included	17	4 - 5 6 - 7 8 - (11)	9 - 10	43 - 44	42	45	40 - 41	40 - 41	43 - 44	42	45
Nr. Pcs.	3	6	6	3÷6	3	6	3	3	3÷6	3	6

POS	COD.	DESCRIZIONE – DESCRIPTION - KIT	NR
19	98.2103.00	Tappo carico olio G 3/8"	1
20	44.0203.35 44.0206.35	Albero ecc. C.11 - W140HH Albero ecc. C.13 - W130HH W154HH	1
21	91.4892.00	Linguetta 8x7x35 UNI 6604	1
22	44.0500.66	Guida pistone	3
23	44.0300.22	Biella	3
24	90.3920.00	OR D. 101.27x2.62 NBR SH.70 3400	1
25	44.1600.22	Coperchio posteriore	1
26	99.1837.00	Vite M6x14 UNI 5931	5
27	90.3585.00	OR D. 10.82x1.78 NBR SH. 70 2043	1
28	98.2042.50	Tappo G 1/4"x9 TE17 – Zinc.	1
29	97.7340.00	Spinotto D. 10x29.5	3
30	96.7350.00	Rosetta D. 16.0x27.0x1.7/0.7	3
31	90.5022.00	Anello antiest. D. 6.2x9.0x1.5	3
32	90.3572.00	OR D. 5.28x1.78 NBR SH. 70 2021	3
33	52.0400.09 44.0401.09	Pistone D. 15 Pistone D. 18	3
34	44.2115.70	Rosetta D. 8 con collare	3
35	92.2216.00	Dado M8x13x5 - INOX	3
36	90.1641.00	Anello rad. D. 25.0x62.0x10.0	1
37	50.2000.74	Piedino pompa	2
38	96.7016.00	Rosetta D. 8.4 UNI 1751	4
39	99.3037.00	Vite M8x16 UNI 5739	4

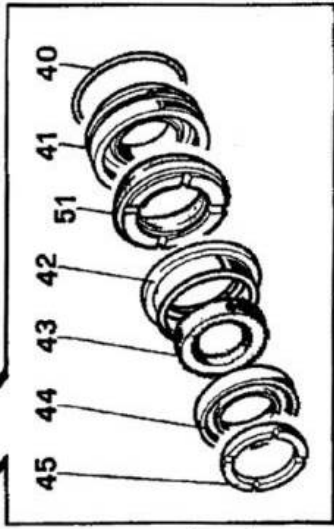
POS	COD.	DESCRIZIONE – DESCRIPTION - KIT	NR
40	90.3612.00	OR D. 31.47x1.78 MNR SH. 70 2125 125-126	3
41	44.0800.70 44.0801.70	Anello di fondo D. 15 Anello di fondo D. 18	125 126
42	52.2166.70 44.2161.70	Anello intermedio D. 15 Anello intermedio D. 18	89 128
43	90.2622.00 90.2683.00	Anello RESTOP D. 15 Anello RESTOP D. 18	250 251
44	90.2620.00 90.2682.00	Anello tenuta D. 15 HP Anello tenuta D. 18 HP	250 251
45	51.1000.51 44.1001.51	Anello di testa D. 15 Anello di testa D. 18	90 129
46	98.2100.00	Tappo G 3/8"x13	1
47	98.2176.00	Tappo G 1/2"x10	1
48	96.7380.00	Rosetta D. 17.5x23.0x1.5	1
49	96.7514.00	Rosetta D. 21.5x27.0x1.5	1
50	98.1966.00	Tappo G 1/8"x8	1
51	90.3859.00	OR D. 25.7x2.62 NBR SH. 70 3100	1
52	90.0671.00	Anello d'arresto ZI30	1
53	53.1500.22	Coperchio laterale	1



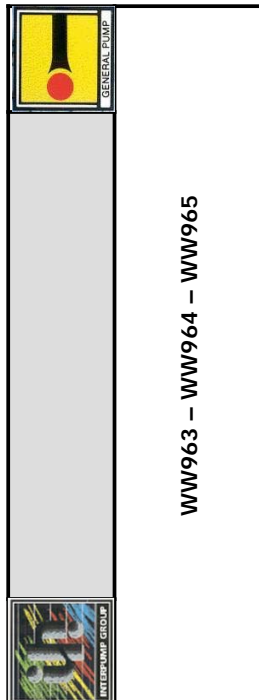
SERIE 44

* Fissare con Loctite 270 col. VERDE
 * Affix with Loctite 270 col. GREEN
 * Fixer avec de la Loctite 270 couleur VERT
 * Mit Loctite 270 GRÜN befestigen
 * Fijar con Loctite 270 col. VERDE
 * Fixar com Loctite 270 cor. VERDE

** Fissare con Loctite 542 col. ROSSO
 ** Affix with Loctite 542 col. RED
 ** Fixer avec de la Loctite 542 couleur ROUGE
 ** Mit Loctite 542 ROT befestigen
 ** Fijar con Loctite 542 col. ROJO
 ** Fixar com Loctite 542 cor. VERMELHA



DIS. COD. 44.9521.00



WW963 - WW964 - WW965

KIT RICAMBI - SPARE KITS

KIT Nr.	KIT 23	KIT 123	KIT 152	KIT 153	KIT 154	KIT 155	KIT 156	KIT 158
Posizioni include Positions included	17	4-5 6-7 8 - (11)	40-41	43-44 51	42	45	40-41 42-43 44-45 51	9-10
Nr. Pcs.	3	6	3	3	3	6	3	6

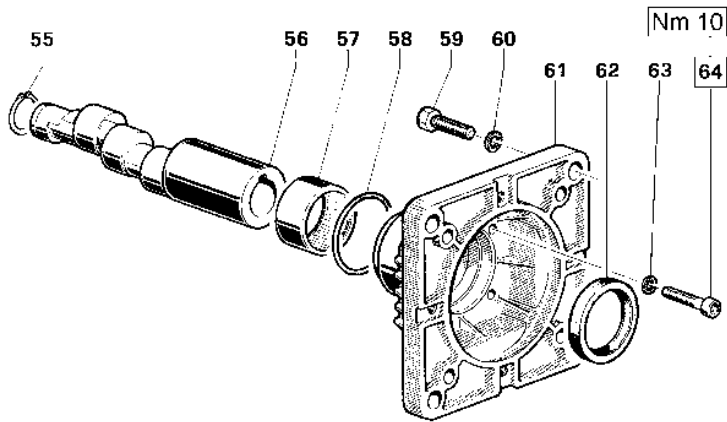
POS	COD.	DESCRIZIONE - DESCRIPTION - KIT	NR
22	44.0501.66	Guida pistone	3
23	44.0300.22	Biella	3
24	90.3920.00	OR D. 101.27x2.62 NBR SH. 70 3400	1
25	44.1600.22	Coperchio posteriore	1
26	99.1837.00	Vite M6x14 UNI 5931	5
27	90.3585.00	OR D. 10.82x1.78 NBR SH. 70 2043	1
28	98.2042.50	Tappo G 1/4"x9 TE17 - Zinc.	1
29	97.7340.00	Spinnotto D. 10.0x29.5	3
30	96.6967.00	Rosetta D. 7.1x28.0x0.5	3
33	44.0402.66	Pistone D. 13	3
36	90.1641.00	Anello rad. D. 25.0x62.0x10.0	1
37	50.2000.74	Piedino pompa	2
38	96.7016.00	Rosetta D. 8.4 UNI 1751	4
39	99.3037.00	Vite M8x16 UNI 5739	4
40	90.3612.00	OR D. 31.47x1.78 MNR SH. 70 2125 152-156	3
41	44.0803.70	Anello di fondo D. 13	3
42	44.2162.70	Anello intermedio D. 13	3
43	90.5076.00	Anello antiest. D. 13.0x17.0x2.0	3
44	90.2602.00	Anello tenuta D. 13 HP	3
45	44.1002.51	Anello di testa D. 13	3
46	98.2100.00	Tappo G 3/8"x13	1

POS	COD.	DESCRIZIONE - DESCRIPTION - KIT	NR
22	44.0501.66	Guida pistone	3
23	44.0300.22	Biella	3
24	90.3920.00	OR D. 101.27x2.62 NBR SH. 70 3400	1
25	44.1600.22	Coperchio posteriore	1
26	99.1837.00	Vite M6x14 UNI 5931	5
27	90.3585.00	OR D. 10.82x1.78 NBR SH. 70 2043	1
28	98.2042.50	Tappo G 1/4"x9 TE17 - Zinc.	1
29	97.7340.00	Spinnotto D. 10.0x29.5	3
30	96.6967.00	Rosetta D. 7.1x28.0x0.5	3
33	44.0402.66	Pistone D. 13	3
36	90.1641.00	Anello rad. D. 25.0x62.0x10.0	1
37	50.2000.74	Piedino pompa	2
38	96.7016.00	Rosetta D. 8.4 UNI 1751	4
39	99.3037.00	Vite M8x16 UNI 5739	4
40	90.3612.00	OR D. 31.47x1.78 MNR SH. 70 2125 152-156	3
41	44.0803.70	Anello di fondo D. 13	3
42	44.2162.70	Anello intermedio D. 13	3
43	90.5076.00	Anello antiest. D. 13.0x17.0x2.0	3
44	90.2602.00	Anello tenuta D. 13 HP	3
45	44.1002.51	Anello di testa D. 13	3
46	98.2100.00	Tappo G 3/8"x13	1

POS	COD.	DESCRIZIONE - DESCRIPTION - KIT	NR
1	44.1208.41	Testata D. 13 - NICKEL	1
2	99.3175.00	Vite M8x60 UNI 5931	8
3	96.7014.00	Rosetta D. 8.4x13.0x0.8	8
4	90.3841.00	OR D. 17.13x2.62 NBR SH. 70 306 123	6
5	36.2003.66	Sede valvola	123
6	36.2001.76	Valvola	123
7	94.7376.00	Molla Dm. 9.4x14.8	123
8	36.2025.51	Guida valvola	123
9	90.3847.00	OR D.20.24x2.62 NBR SH. 90 3081 158	6
10	98.2225.00	Tappo M24x1.5x17 - NICKEL	158
11	36.7115.01	Gr. valvola aspiraz./mandata	123
12	99.1807.00	Vite M6x10 UNI 5739	8
13	50.1500.74	Coperchio carter	1
14	53.2108.51	Vetrino spia livello olio	1
15	90.3898.00	OR D. 56.82x2.62 NBR SH. 70 3225	1
16	91.8331.00	Cuscinetto a sfere	2
17	90.1614.00	Anello rad. D. 20.0x30.0x5.0	23
18	44.0100.22	Carter pompa	1
19	98.2103.00	Tappo carico olio G 3/8"	1
20	44.0200.35	Albero ecc. C.9.5 - WW963	1
	44.0203.35	Albero ecc. C.11 - WW964	
	44.0206.35	Albero ecc. C.13 - WW965	
21	91.4892.00	Linguetta 8x7x35 UNI 6604	1

VERSION A (for electric motors NEMA 184 TC)

W950 - W951 - W952 - W953 - W954 - W955
W956 - W957 - W958 - W959 - W14200 - W16180
WW964 - WW965



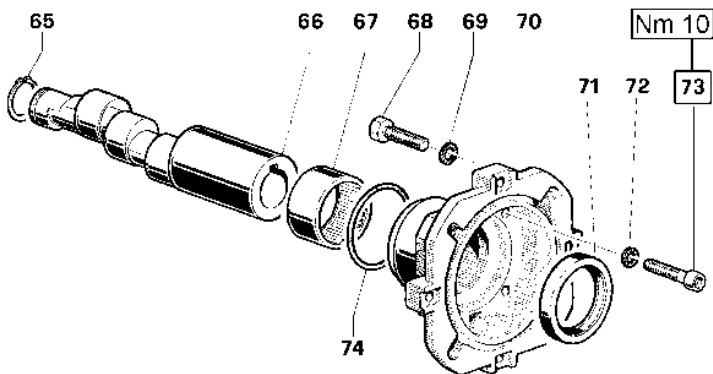
DIS. COD. 44.9501.00

POS	COD.	DESCRIZIONE - DESCRIPTION	NR
55	90.0635.00	Anello d'arresto A25	1
56	44.0214.65	Albero ecc. C.11 - W950 W954 W955 W956 W14200 WW964	1
	44.0216.65	Albero ecc. C.13 - W951 W952 W953 W957 W958 W959 W16180 WW965	
57	91.8568.00	Boccola a rullini	1
58	90.4097.00	OR D. 55.56x3.56 NBR SH. 70 159	1
59	99.4600.00	Vite 1/2"-13x1- 1/4"	4
60	96.7195.00	Rosetta D. 13.0x18.0x1.1	4
61	10.0504.22	Flangia per motore elettrico	1
62	90.1690.00	Anello rad. D. 45.0x62.0x8.0	1
63	96.6938.00	Rosetta D. 6.4x10.0x0.7	4
64	99.1912.00	Vite M6x30 UNI 5931	4

SERIE 44

VERSION B (for electric motors IEC 100-112 B14)

W97 - W112 - W124 - W130 - W140 - W150 - W154
W170 - W200 - W204 - WW116 - WW136 - WW156
WW176 - WW186 - WW206 - WW209



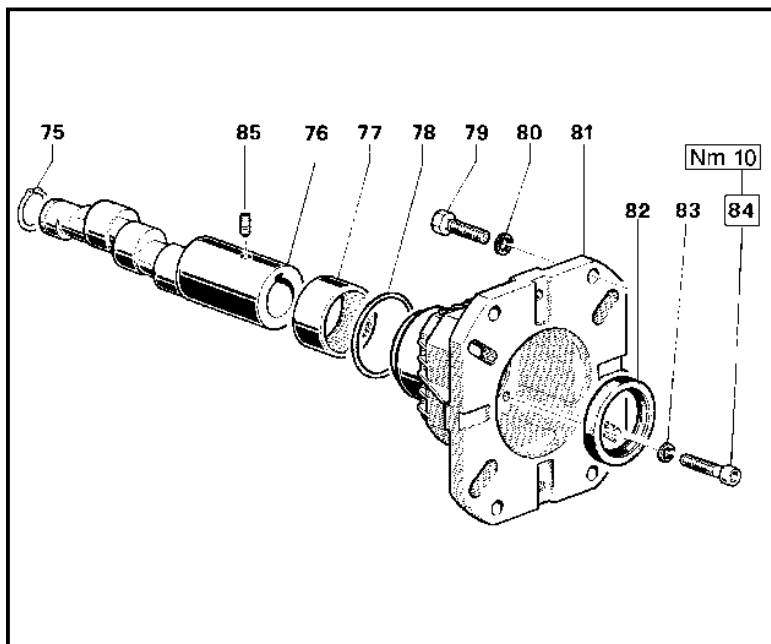
DIS. COD. 44.9502.00

POS	COD.	DESCRIZIONE - DESCRIPTION	NR
65	90.0635.00	Anello d'arresto A25	1
66	44.0213.65	Albero ecc. C.11 - W112 W140 W150 WW116 WW156 WW209 W200	1
	44.0215.65	Albero ecc. C.13 - W97 W124 W130 W154 W170 WW136 WW176 W204	
	44.0210.65	Albero ecc. C.9.5 - WW186 WW206	
67	91.8568.00	Boccola a rullini	1
68	99.3067.00	Vite M8x25 UNI 5739	4
69	96.7014.00	Rosetta D. 8.4x13.0x0.8	4
70	10.0494.22	Flangia per motore elettrico	1
71	90.1690.00	Anello rad. Ø 45.0x62.0x8.0	1
72	96.6938.00	Rosetta D. 6.4x10.0x0.7	4
73	99.1912.00	Vite M6x30 UNI 5931	4
74	90.4097.00	OR D. 55.56x3.56 NBR SH. 70 159	1

SERIE 44

VERSION C (for gasoline engines SAE J 609 type B ext.4)

WW960 - WW961 - WW962 - WW963 - WW964
WW965



DIS. COD. 44.9503.00

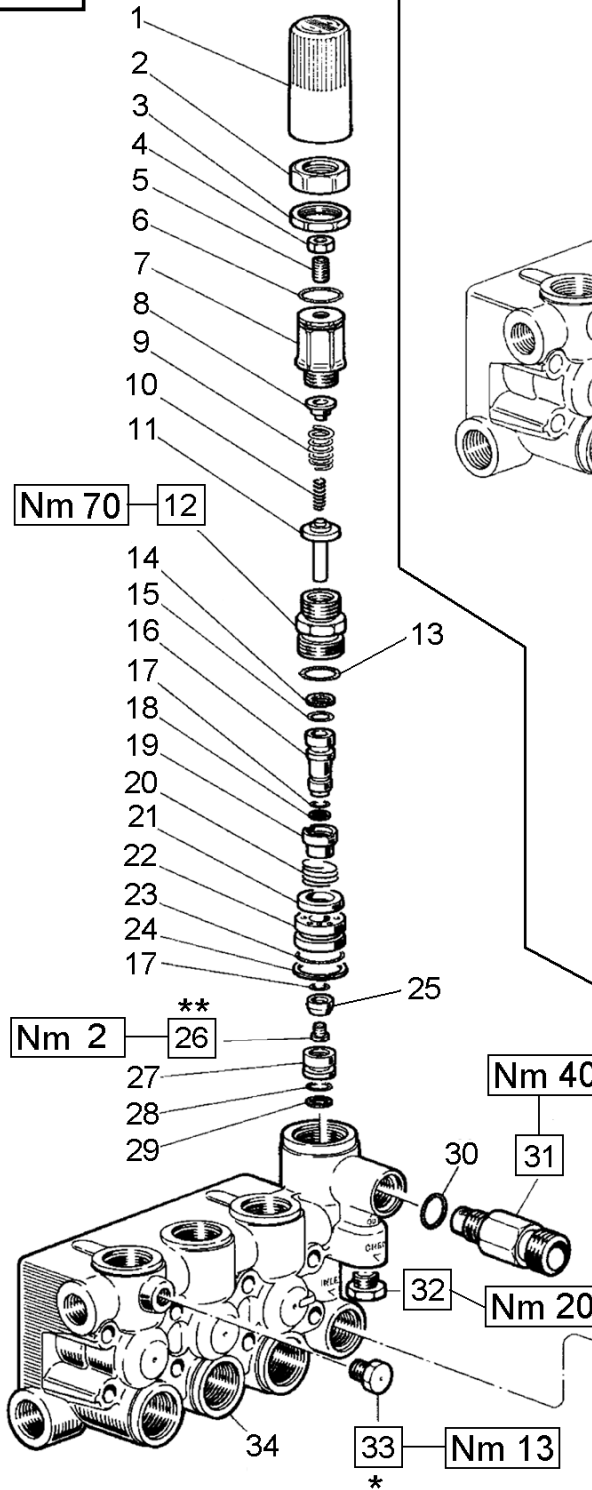
POS	COD.	DESCRIZIONE - DESCRIPTION	NR
75	90.0635.00	Anello d'arresto A25	1
76	44.0220.65 44.0209.65 44.0212.65 44.0221.65	Albero ecc. C. 8.5 - WW960 Albero ecc. C. 9.5 - WW961 WW963 Albero ecc. C. 11 - WW962 WW964 Albero ecc. C. 13 - WW965	
77	91.8568.00	Boccola a rullini	1
78	90.4097.00	OR D. 55.56x3.56 NBR SH. 70 159	1
79	99.2755.00 99.3346.00	Vite 5/16"-24x1" Vite 3/8"-16x1"-1/4	4
80	96.7020.00 96.7104.00	Rosetta D. 8.4x15.0x1.5 Rosetta D. 10.5x16.0x1.0	4
81	10.0518.22	Flangia per motore a scoppio	1
82	90.1690.00	Anello rad. D. 45.0x62.0x8.0	1
83	96.6938.00	Rosetta D. 6.4x10.0x0.7	4
84	99.1912.00	Vite M6x30 UNI 5931	4
85	99.1790.00	Vite M6x6 UNI 5929	1

SERIE 44

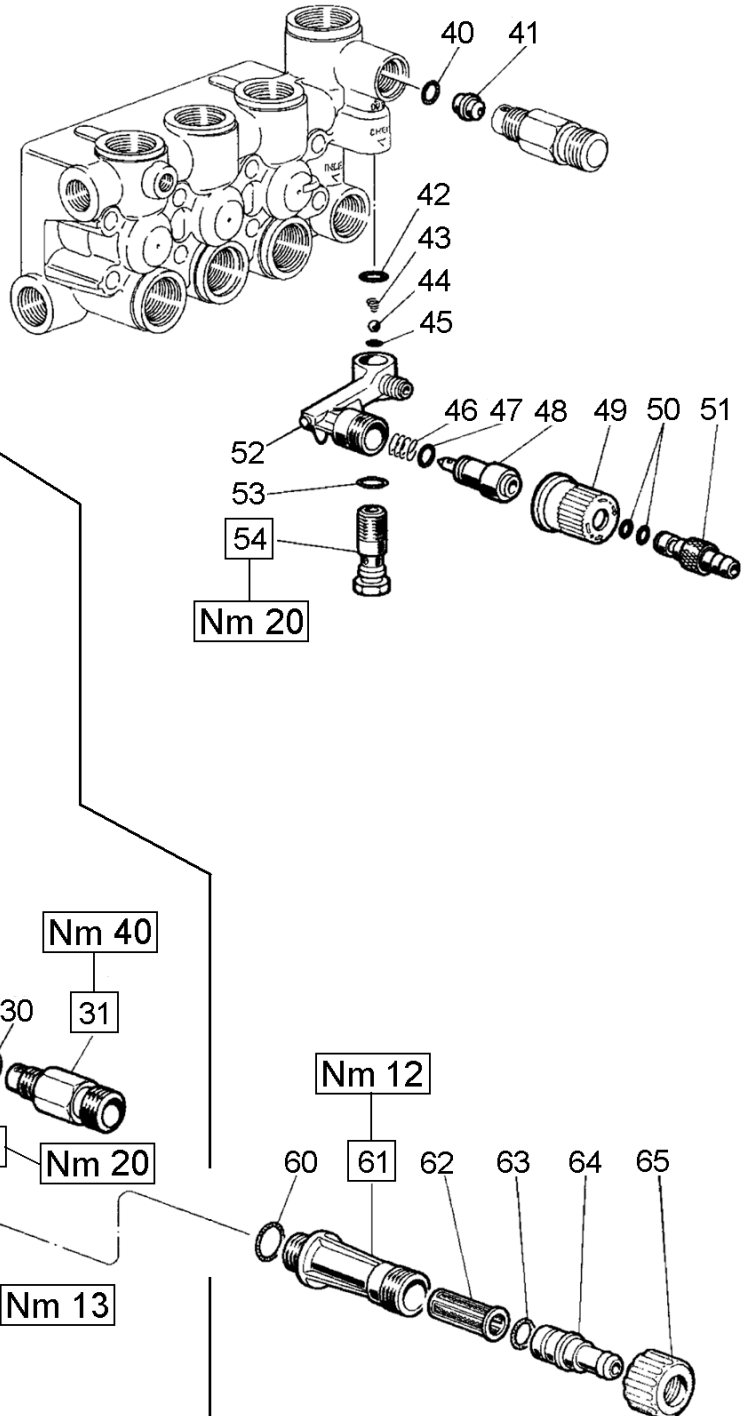
VH VERSION

VERSIONE CON VALVOLA DI REGOLAZIONE AUT. – VERSION WITH BUILT-IN AUT. UNLOADER
 VERSION AVEC RÉGULATEUR AUT. DE PRESSION INCORPORÉ
 AUSFÜHRUNG MIT EINGEBAUTEM AUT. DRUCKREGULIERVENTIL
 VERSIÓN CON REGULADOR AUT. DE PRESIÓN INCORPORADO - VERSÃO COM VÁLVULA DO REGULAMENTO AUT.

SERIE 44



OPTIONALS



* Fissare con Loctite 542 col. ROSSO
 * Affix with Loctite 542 col. RED
 * Fixer avec de la Loctite 542 couleur ROUGE
 * Mit Loctite 542 ROT befestigen
 * Fijar con Loctite 542 col. ROJO
 * Fixar com Loctite 542 cor. VERMELHA

** Fissare con Loctite 270 col. VERDE
 ** Affix with Loctite 270 col. GREEN
 ** Fixer avec de la Loctite 270 couleur VERT
 ** Mit Loctite 270 GRÜN befestigen
 ** Fijar con Loctite 270 col. VERDE
 ** Fixar com Loctite 270 cor. VERDE

DIS. COD. 44.9529.00

VH VERSION

**VERSIONE CON VALVOLA DI REGOLAZIONE AUT. – VERSION WITH BUILT-IN AUT. UNLOADER
 VERSION AVEC RÉGULATEUR AUT. DE PRESSION INCORPORÉ
 AUSFÜHRUNG MIT EINGEBAUTEM AUT. DRUCKREGULIERVENTIL
 VERSIÓN CON REGULADOR AUT. DE PRESIÓN INCORPORADO - VERSÃO COM VÁLVULA DO REGULAMENTO AUT.**

POS	COD.	DESCRIZIONE – DESCRIPTION - KIT	NR
1	36.3187.51	Pomolo	1
2	36.3186.70	Ghiera – OPTIONAL	1
3	92.2935.00	Dado M28x1.5 - OPTIONAL	1
4	92.2218.00	Dado M8x13 UNI 5589	1
5	99.3054.00	Vite M8x20 UNI 5923	1
6	90.3598.00	OR D. 20.35x1.78 NBR SH. 70 2081	1
7	36.3185.70	Registro pressione	1
8	36.3169.70	Piattello molla	1
9	94.7436.00	Molla Dm. 15.0x35.0	1
10	94.7345.00	Molla Dm. 7.6x29.0	1
11	36.3233.70	Piattello inferiore molla	1
12	36.3228.70	Boccola di guida	1
13	90.3857.00	OR D. 23.81x2.62 NBR SH. 70 132	1
14	90.5052.00	Anello antiest. D. 9.6x14.0 x1.5	137 1
15	90.3820.00	OR D. 9.13x2.62 NBR SH. 70 109	137 1
16	36.3234.70	Pistoncino di comando	137 1
17	90.3575.00	OR D. 6.75x1.78 NBR SH. 70 106	137 2
18	90.5025.00	Anello antiest. D. 7.0x10.0x1.5	137 1
19	36.3230.70	Distanziale	137 1
20	94.7485.00	Molla Dm. 18.5x11,5	137 1
21	36.3231.51	Valvola	137 1
22	36.3229.70	Guida valvola	137 1
23	90.3600.00	OR D. 21.95x1.78 NBR SH. 70 2087	137 1
24	90.5144.00	Anello antiest. D. 22.0x25.0x1.5	137 1
25	36.3190.66	Valvola sferica	137 1
26	99.1509.00	Vite M5x0.8x8.5 – INOX	137 1
27	36.3164.66	Sede valvola	137 1
28	90.3822.00	OR D. 9.92x2.62 NBR SH. 70 112	137 1
29	90.5065.00	Anello antiest. D. 10.6x15.0x2.0	137 1
30	90.3832.00	OR D. 13.95x2.62 NBR SH. 70 3056	94 1
31	10.0078.70 10.0147.70	Nipplo G 3/8" – D. 3 Nipplo M22x1.5 – D. 3	1
32	98.2057.00	Tappo M14x1.5	1

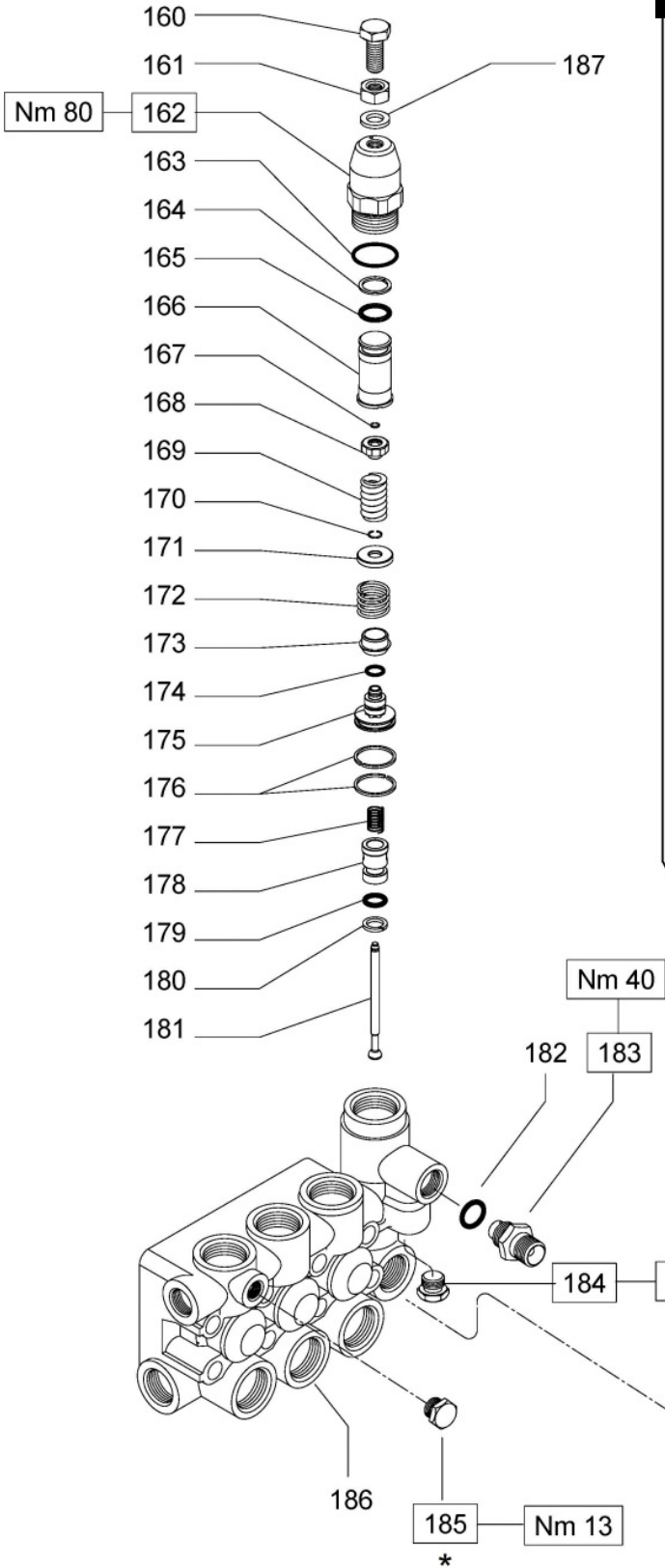
33	98.1966.00	Tappo G 1/8"x8	1
34	44.1201.41 44.1205.41	Testata D. 15 Testata D. 18	1
OPTIONALS			
POS	COD.	DESCRIZIONE – DESCRIPTION - KIT	NR
40	90.3822.00	OR D. 9.92x2.62 NBR SH. 70 112	94 1
41	10.0151.66 10.0076.66	Ugello D. 2 (8÷11 l/min.) Ugello D. 2.2 (12÷17 l/min.)	1
42	90.3582.00	OR D. 9.25x1.78 NBR SH. 70 2037	94 1
43	94.8217.00	Molla conica D. 4.3/7.3x11.0	94 1
44	97.4782.00	Sfera D. 7/32"	94 1
45	90.3572.00	OR D. 5.28x1.78 NBR SH. 70 2021	94 1
46	94.7383.00	Molla Dm. 9.75x10.0	94 1
47	90.3580.00	OR D. 8.73x1.78 NBR SH. 70 108	94 1
48	36.2564.70	Otturatore	1
49	36.2565.51	Pomolo	1
50	90.3570.00	OR D. 4.48x1.78 NBR SH. 70 2018	94 2
51	36.2566.70	Innesto porta-gomma	1
52	36.3181.51	Corpo dosatore	1
53	90.3585.00	OR D. 10.82x1.78 NBR SH. 70 2043	94 1
54	36.2563.70	Sede valvola	1
60	90.3841.00	OR D. 17.13x2.62 NBR SH. 70 3068	1
61	36.3182.51	Nipplo di aspirazione G 3/4"	1
62	92.8925.00	Filtro	1
63	90.3828.00	OR D. 12.37x2.62 NBR SH. 70 3050	1
64	36.2569.51	Porta-gomma aspirazione	1
65	92.9828.00	Ghiera G 3/4"	1

KIT RICAMBI – SPARE KITS

KIT NR.	KIT 94	KIT 137
Posizioni incluse Positions included	30 - 40 - 42 43 - 44 - 45 46 - 47 - 50 53	14 - 15 - 16 17 - 18 - 19 20 - 21 - 22 23 - 24 - 25 26 - 27 - 28 29
Nr. Pcs.	1÷2	1÷2

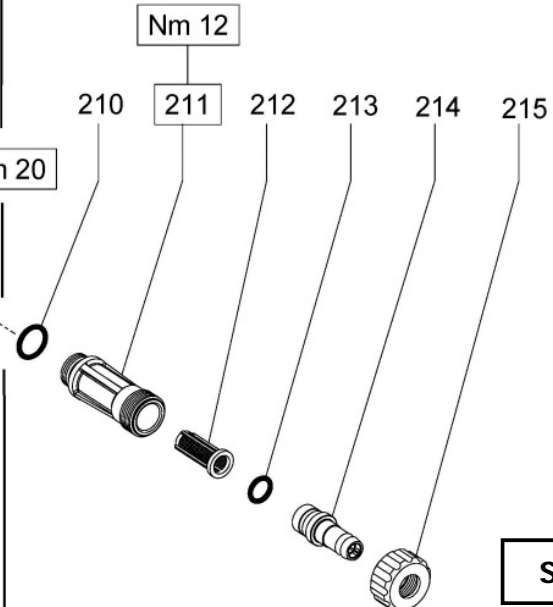
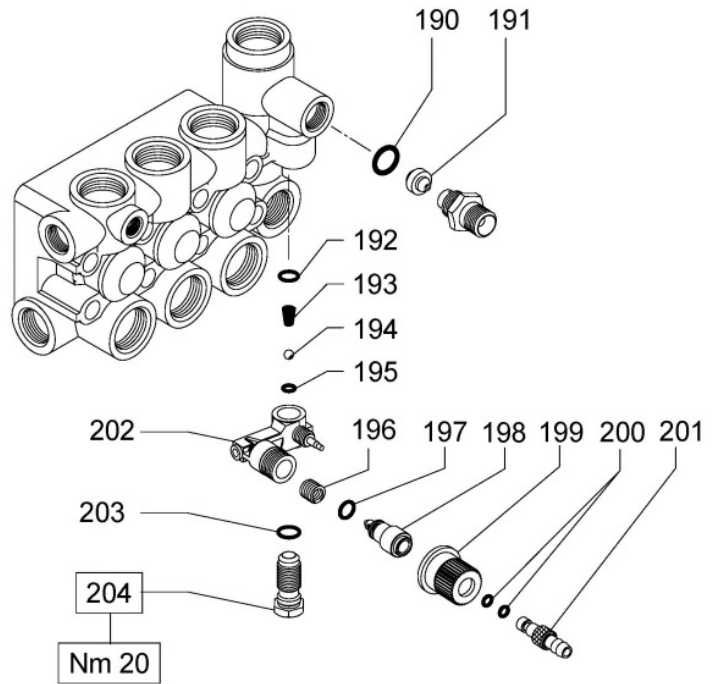
VK VERSION

VERSIONE CON VALVOLA DI REGOLAZIONE AUT. – VERSION WITH BUILT-IN AUT. UNLOADER
 VERSION AVEC RÉGULATEUR AUT. DE PRESSION INCORPORÉ
 AUSFÜHRUNG MIT EINGEBAUTEM AUT. DRUCKREGULIERVENTIL
 VERSIÓN CON REGULADOR AUT. DE PRESIÓN INCORPORADO - VERSÃO COM VÁLVULA DO REGULAMENTO AUT.



OPTIONALS

- * Fissare con Loctite 542 col. ROSSO
- * Affix with Loctite 542 col. RED
- * Fixer avec de la Loctite 542 couleur ROUGE
- * Mit Loctite 542 ROT befestigen
- * Fijar con Loctite 542 col. ROJO
- * Fixar com Loctite 542 cor. VERMELHA



DIS. COD. 44.9530.00

SERIE 44

VK VERSION

**VERSIONE CON VALVOLA DI REGOLAZIONE AUT. – VERSION WITH BUILT-IN AUT. UNLOADER
VERSION AVEC RÉGULATEUR AUT. DE PRESSION INCORPORÉ
AUSFÜHRUNG MIT EINGEBAUTEM AUT. DRUCKREGULIERVENTIL
VERSIÓN CON REGULADOR AUT. DE PRESIÓN INCORPORADO - VERSÃO COM VÁLVULA DO REGULAMENTO AUT.**

POS	COD.	DESCRIZIONE – DESCRIPTION - KIT	NR
160	99.3663.00	Vite M10x1.25x25 UNI 5740	1
161	92.2368.00	Dado M10x1.25 UNI 5589	1
162	36.3270.70	Corpo superiore	1
163	90.3604.00	OR D. 25.12x1.78 NBR SH. 70 2100	1
164	90.5090.00	Anello antiest. D. 15.8x20.0x1.3	1
165	90.3835.00	OR D. 15.08x2.62 NBR SH. 70 119	1
166	36.3271.70	Fine corsa	1
167	90.0059.00	Anello di arresto A05 UNI 7433	177 1
168	36.3274.70	Piattello molla	177 1
169	94.7408.00	Molla Dm. 12.5x26.0	177 1
170	90.0062.00	Anello di arresto A08 UNI 7433	177 1
171	36.3273.70	Piattello molla	177 1
172	94.7480.00	Molla Dm. 18.2x16.5	177 1
173	36.3277.56	Otturatore	177 1
174	90.3581.00	OR D. 8.73x1.78 NBR SH. 70 108	177 1
175	36.3272.70	Pistoncino di comando	177 1
176	92.7710.00	Fascia elastica D. 25	177 2
177	94.7372.00	Molla Dm. 9.3x15.0	177 1
178	36.3276.66	Sede valvola	177 1
179	90.3823.00	OR D. 9.92x2.62 NBR SH. 70 112	177 1
180	90.5065.00	Anello antiest. D. 10.6x15.0x2.0	177 1
181	36.3275.66	Asta valvola	177 1
182	90.3832.00	OR D. 13.95x2.62 NBR SH. 70 3056	94 1
183	10.0078.70 10.0147.70	Nipplo G 3/8" – D. 3 Nipplo M22x1.5 – D. 3	1
184	98.2057.00	Tappo M14x1.5	1
185	98.1966.00	Tappo G 1/8"x8	1
186	44.1201.41 44.1205.41	Testata D. 15 Testata D. 18	1
187	96.7103.00	Rosetta D. 10.5x18.0x2.0	1

OPTIONALS			
POS	COD.	DESCRIZIONE – DESCRIPTION - KIT	NR
190	90.3822.00	OR D. 9.92x2.62 NBR SH. 70 112	94 1
191	10.0151.66 10.0076.66	Ugello D. 2 (8÷11 l/min.) Ugello D. 2.2 (12÷17 l/min.)	1
192	90.3582.00	OR D. 9.25x1.78 NBR SH. 70 2037	94 1
193	94.8217.00	Molla conica D. 4.3/7.3x11.0	94 1
194	97.4782.00	Sfera D. 7/32"	94 1
195	90.3572.00	OR D. 5.25x1.78 NBR SH. 70 2021	94 1
196	94.7383.00	Molla Dm. 9.75x10.0	94 1
197	90.3580.00	OR D. 8.73x1.78 NBR SH. 70 108	94 1
198	36.2564.70	Otturatore	1
199	36.2565.51	Pomolo	1
200	90.3570.00	OR D. 4.48x1.78 NBR SH. 70 2018	94 2
201	36.2566.70	Innesto porta-gomma	1
202	36.3181.51	Corpo dosatore	1
203	90.3585.00	OR D. 10.82x1.78 NBR SH. 70 2043	94 1
204	36.2563.70	Sede valvola	1
210	90.3841.00	OR D. 17.13x2.62 NBR SH. 70 3068	1
211	36.3182.51	Nipplo di aspirazione G 3/4"	1
212	92.8925.00	Filtro	1
213	90.3828.00	OR D. 12.37x2.62 NBR SH. 70 3050	1
214	36.2569.51	Porta-gomma aspirazione	1
215	92.9828.00	Ghiera G 3/4"	1

KIT RICAMBI – SPARE KITS

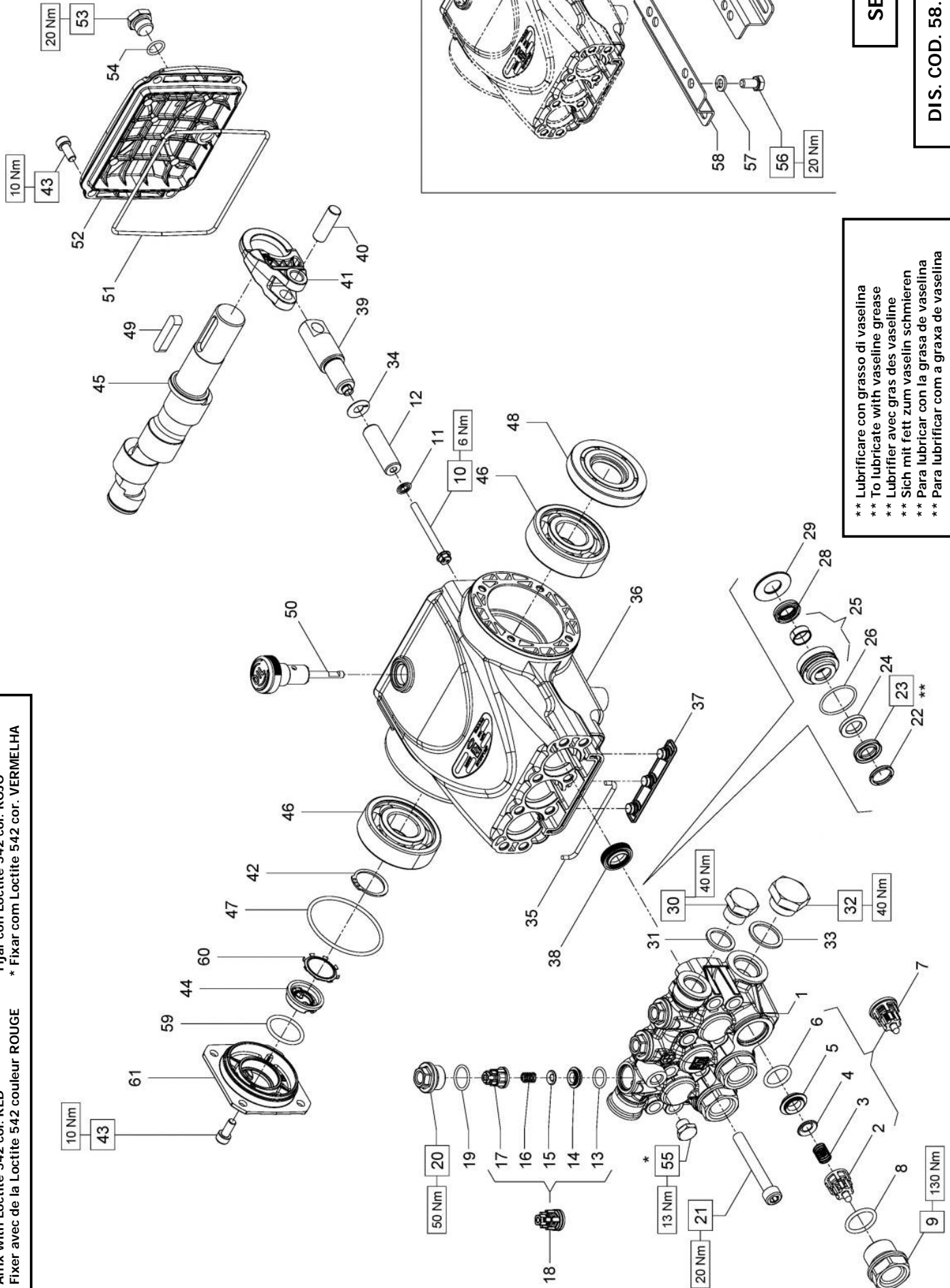
KIT NR.	KIT 94	KIT 177
Posizioni include Positions included	182 - 190 - 192 193 - 194 - 195 196 - 197 - 200 203	167 - 168 - 169 170 - 171 - 172 173 - 174 - 175 176 - 177 - 178 179 - 180 - 181
Nr. Pcs.	1÷2	1÷2

- * Fissare con Loctite 542 col. ROSSO
- * Affix with Loctite 542 col. RED
- * Fixer avec de la Loctite 542 couleur ROUGE

- * Mit Loctite 542 ROT befestigen

- * Fijar con Loctite 542 col. ROJO

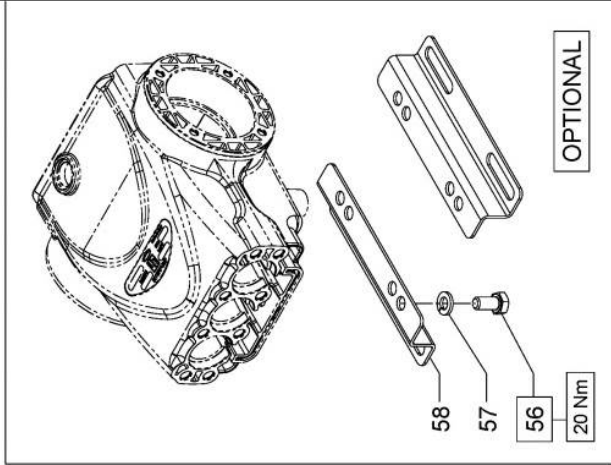
- * Fixar com Loctite 542 cor. VERMELHA



** Lubrificare con grasso di vaselina
 ** To lubricate with vaseline grease
 ** Lubrifier avec gras des vaseline
 ** Sich mit fett zum vaselin schmieren
 ** Para lubricar con la grasa de vaselina
 ** Para lubricar com a graxa de vaselina

SERIE 58

DIS. COD. 58.9500.00





E2B2008 - E2B2808 - E2B2010 - E2C2109 - E2C2809
E2C2111 - E2C2112 - E2D2010 - E2D2810 - E2D2011
E2D2811 - E2D2812 - E2D2013 - E2D2813 - E2D2015
E2D2016 - E2E2108 - E2E2808 - E2E2810 - E2E2111
E2E2811 - E2E2812 - E2E2113 - E2E2813 - E2E2114
E2E2815 - E2E2116



E2B2008 - E2B2808 - E2B2010 - E2C2109 - E2C2809
E2C2111 - E2C2112 - E2D2010 - E2D2810 - E2D2011
E2D2811 - E2D2812 - E2D2013 - E2D2813 - E2D2015
E2D2016 - E2E2108 - E2E2808 - E2E2810 - E2E2111
E2E2811 - E2E2812 - E2E2113 - E2E2813 - E2E2114
E2E2815 - E2E2116

PISTON D. 13		PISTON D. 15	
POS	COD.	DESCRIZIONE - DESCRIPTION - KIT	NR
1	58.1200.41 58.1201.41	Testata pompa D. 13 Testata pompa D. 15	1
2	36.2025.51	Guida valvola d'aspirazione	269
3	94.7376.00	Molla Dm. 9,4x14,8	269
4	36.2001.76	Valvola sferica	269
5	36.2003.66	Sede valvola d'aspirazione	269
6	90.3841.00	OR D. 17.13x2.62 NBR SH. 70 306	269
7	36.7115.01	Gr. valvola d'aspirazione	269
8	90.3847.00	OR D. 20.24x2.62 NBR SH 90 3081	270
9	98.2226.00	Tappo M24x1.5x16.7	270
10	99.1690.00	Vite M5x55	3
11	96.6905.00	Rosetta D. 5x11.5x0.4	3
12	58.0400.09 58.0401.09	Pistone D. 13x42 Pistone D. 15x42	3
13	90.3674.00	OR D. 12.00x2.00 NBR SH 70	269
14	36.2113.66	Sede valvola di mandata	269
15	36.2112.76	Valvola sferica	269
16	94.7333.00	Molla Dm. 6.2x10.4	269
17	36.2111.51	Guida valvola di mandata	269
18	36.7193.01	Gr. valvola mandata	269
19	90.3593.00	OR D. 15.60x1.78 NBR SH. 70 2062	270
20	98.2137.00	Tappo M18x1.5x10	270

POS	COD.	DESCRIZIONE - DESCRIPTION - KIT	NR
21	99.3175.00	Vite M8x60 UNI 5931	8
22	44.1002.51 63.1010.51	Anello di testa D. 13 Anello di testa D. 15	272-275 273-276
23	90.2602.00 90.2611.00	An. ten. alt. D. 13x21x4 HP An. ten. alt. D. 15x24x5.4/3.4 HP	272-275 273-276
24	90.5076.50 90.5089.90	Anello antiest. D. 13x21x3 Anello antiest. D. 15x24x2	272-275 273-276
25	58.6056.01 58.6057.01	Gr. supp. guarn./boccola D. 13 Gr. supp. guarn./boccola D. 15	275 276
26	90.3606.00	OR D. 26.7x1.78 NBR SH. 70 2106	272-273-275-276
28	90.2601.00 90.2608.00	Anello ten. alt. D. 13x20x5 LP Anello ten. alt. D. 15x22x5 LP	272-275 273-276
29	58.2106.70 58.2107.70	Anello per tenuta D. 13 Anello per tenuta D. 15	275 276
30	98.2100.00	Tappo G 3/8"x13	1
31	96.7380.00	Rosetta D. 17.5x23.0x1.5	1
32	98.2176.00	Tappo G 1/2"x10	1
33	96.7514.00	Rosetta D. 21.5x27.0x1.5	1
34	96.6990.00	Rosetta D. 7.5x23.0x0.5	3
35	58.2105.82	Guarnizione spugna D. 3x94	1
36	58.0100.22	Carter pompa	1
37	58.2104.51	Protezione	1
38	90.1565.50	Anello rad. D. 15.0x24.0x5.0/7.0	271
39	58.0500.66	Guida pistone	3
40	97.7340.00	Spinotto D. 10x29.5	3
41	58.0300.22	Biella	3

KIT RICAMBI - SPARE KITS

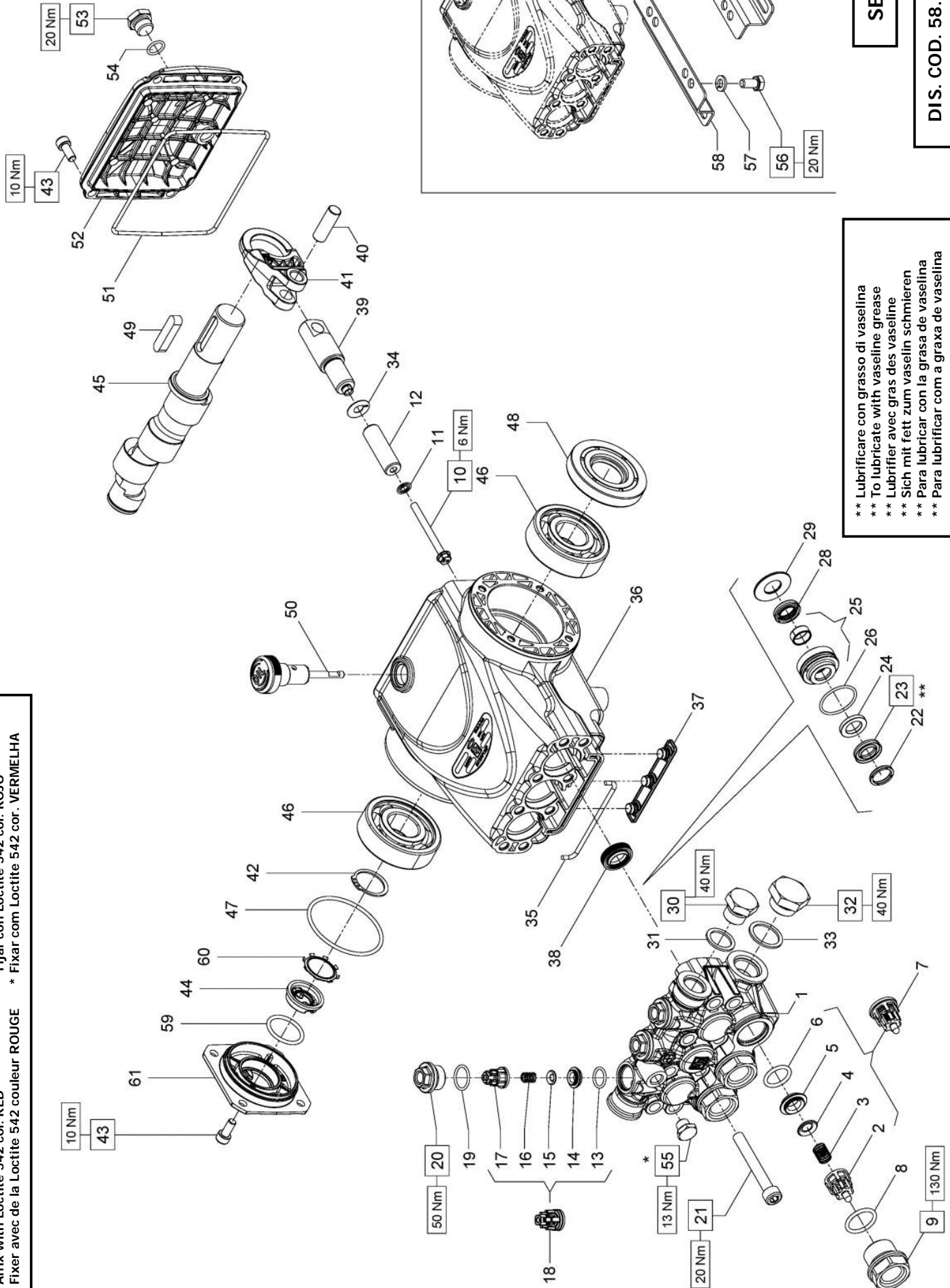
KIT NR.	KIT 269	KIT 270	KIT 271
Posizioni incluse Positions included	2 - 3 - 4 - 5 6 - 13 - 14 15 - 16 - 17 (7) - (18)	8 - 9 19 - 20	38
Nr. Pcs.	3	3	3

PISTONE - PISTON. D. 13		PISTONE - PISTON D. 15	
KIT 272	KIT 275	KIT 273	KIT 276
22 - 23 24 - 26 28	22 - 23 24 - 25 26 - 28 29	22 - 23 24 - 26 28	22 - 23 24 - 25 26 - 28 29
3	1	3	1

POS	COD.	DESCRIZIONE - DESCRIPTION - KIT	NR
42	90.0635.00	Anello d'arresto A25	1
43	99.1837.00	Vite M6x14 UNI 5931	8
44	53.2108.51	Veitrino spia livello olio	1
45	63.0202.65 63.0205.65 63.0208.65 63.0212.35 63.0216.35 63.0218.35 63.0291.35	Albero ecc. C.5 - E2E2108 Albero ecc. C.6.5 - E2D2010 E2E2808 E2E2111 Albero ecc. C.8 - E2D2011 E2E2810 E2E2113 Albero ecc. C.10 - E2B2008 E2D2810 E2E2116 E2C2109 E2D2013 E2E2812 Albero ecc. C.12 - E2C2111 E2D2016 E2D2812 Albero ecc. C.13 - E2B2010 E2B2808 E2E2815 E2C2112 E2C2809 E2D2813 Albero ecc. C.11 - E2D2015 E2D2811 E2E2813	1
46	91.8331.00	Cuscinetto a sfere	2
47	90.3898.00	OR D. 56.82x2.62 NBR SH. 70 3225	1
48	90.1641.00	Anello rad. D. 25.0x62.0x10.0	1
49	91.4892.00	Linguetta 8x7x35	1
50	98.2105.00	Asta livello olio G 3/8"x51 D. 7	1
51	90.3925.50	OR D. 113.97x2.62 NBR SH. 70 3450	1
52	58.1600.22	Coperchio posteriore	1
53	98.2042.50	Tappo G 1/4"x9 TE17 - Zinc.	1
54	90.3585.00	OR D. 10.82x1.78 NBR SH. 70 2043	1
55	98.1966.00	Tappo G 1/8"x8	1
56	99.3037.00	Vite M8x16 UNI 5739	4
57	96.7016.00	Rosetta D. 8.4 UNI 1751	4
58	50.2000.74	Piedino pompa	2
59	90.3859.00	OR D. 25.07x2.62 NBR SH70 3100	1
60	90.0671.00	Anello d'arresto ZJ30	1
61	53.1500.22	Coperchio laterale	1

* Fissare con Loctite 542 col. ROSSO
 * Affix with Loctite 542 col. RED
 * Fixer avec de la Loctite 542 couleur ROUGE


* Mit Loctite 542 ROT befestigen
 * Fijar con Loctite 542 col. ROJO
 * Fixar com Loctite 542 cor. VERMELHA



** Lubrificare con grasso di vaselina
 ** To lubricate with vaseline grease
 ** Lubrifier avec gras des vaseline
 ** Sich mit fett zum vaselin schmieren
 ** Para lubricar con la grasa de vaselina
 ** Para lubricar com a graxa de vaselina

SERIE 58

DIS. COD. 58.9500.00

	
E2B1618 - E2B1711 - E2B1712 - E2B1713 - E2B2014 E2B2042 - E2C1713 - E2C1714 - E2C1715 - E2C2016	

KIT RICAMBI - SPARE KITS			PISTONE - PISTON. D. 18		PISTONE - PISTON D. 20	
KIT NR.	KIT 269	KIT 270	KIT 271	KIT 274	KIT 329	KIT 330
Posizioni include Positions included	2 - 3 - 4 - 5 6 - 13 - 14 15 - 16 - 17 (7) - (18)	8 - 9 19 - 20	38	22 - 23 24 - 26 28	22 - 23 24 - 26 28	22 - 23 24 - 25 26 - 28 29
Nr. Pcs.	3	3	3	3	3	1

PISTON D. 18		PISTON D. 20	
E2B1711 - E2B1712 - E2B1713 E2B2014 - E2B2042 - E2C1713 E2C1714 - E2C1715 - E2C2016	E2B1618		

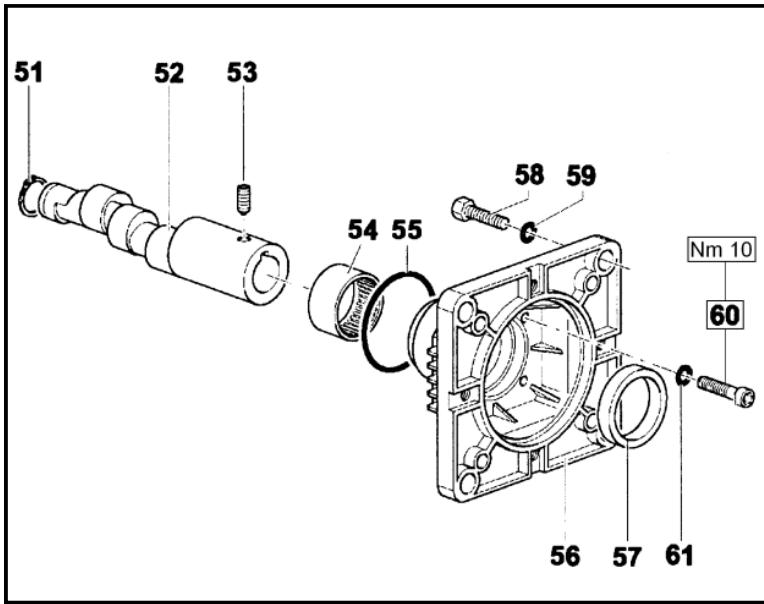
POS	COD.	DESCRIZIONE - DESCRIPTION - KIT	NR
22	63.1011.51 66.1007.51	Anello di testa D. 18 Anello di testa D. 20	274-277 329-330
23	90.2653.50 90.2691.00	An. ten. alt. D. 18x28x6/3.7 HP An. ten. alt. D. 20x30x6/3.7 HP	274-277 329-330
24	90.5111.50 90.5134.00	Anello antiest. D. 18x28x2 Anello antiest. D. 20x30x2	274-277 329-330
25	58.6058.01 58.6059.01	Gr. supp. guarn./boccola D. 18 Gr. supp. guarn./boccola D. 20	277 330
26	90.3606.00 90.3608.00	OR D. 26.7x1.78 NBR SH. 70 2106 OR D. 28.3x1.78 NBR SH. 70 2112	274-277 329-330
28	90.2650.00 90.2687.50	Anello ten. alt. D. 18x24x5 LP Anello ten. alt. D. 20x26x5 LP	274-277 329-330
29	58.2108.70 58.2110.70	Anello per tenuta D. 18 Anello per tenuta D. 20	277 330
30	98.2100.00	Tappo G 3/8"x13	1
31	96.7380.00	Rosetta D. 17.5x23.0x1.5	1
32	98.2176.00	Tappo G 1/2"x10	1
33	96.7514.00	Rosetta D. 21.5x27.0x1.5	1
34	96.6990.00	Rosetta D. 7.5x23.0x0.5	3
35	58.2105.82	Guarnizione spugna D. 3x94	1
36	58.0100.22	Carter pompa	1
37	58.2104.51	Protezione	1
38	90.1565.50	Anello rad. D. 15.0x24.0x5.0/7.0	271
39	58.0500.66	Guida pistone	3
40	97.7340.00	Spinotto D. 10x29.5	3
41	58.0300.22	Biella	3

POS	COD.	DESCRIZIONE - DESCRIPTION - KIT	NR
42	90.0635.00	Anello d'arresto D. 25	1
43	99.1837.00	Vite M6x14 UNI 5931	8
44	53.2108.51	Vetrino spia livello olio	1
45	63.0212.35 63.0216.35 63.0218.35 63.0291.35 58.0201.65	Albero ecc. C.10 - E2B1711 E2C1713 Albero ecc. C.12 - E2B1713 E2C1715 Albero ecc. C.13 - E2B2014 E2C2016 Albero ecc. C.11 - E2B1712 E2C1714 Albero ecc. C.14 - E2B1618 E2B2042	1
46	91.8331.00	Cuscinetto a sfere	2
47	90.3898.00	OR D. 56.82x2.62 NBR SH. 70 3225	1
48	90.1641.00	Anello rad. D. 25.0x62.0x10.0	1
49	91.4892.00	Linguetta 8x7x35	1
50	98.2105.00	Asta livello olio G 3/8"x51 D. 7	1
51	90.3925.50	OR D. 113.97x2.62 NBR SH. 70 3450	1
52	58.1600.22	Coperchio posteriore	1
53	98.2042.50	Tappo G 1/4"x9 TE17 - Zinc.	1
54	90.3585.00	OR D. 10.82x1.78 NBR SH. 70 2043	1
55	98.1966.00	Tappo G 1/8"x8	1
56	99.3037.00	Vite M8x16 UNI 5739	4
57	96.7016.00	Rosetta D. 8.4 UNI 1751	4
58	50.2000.74	Piedino pompa	2
59	90.3859.00	OR D. 25.07x2.62 NBR SH. 70 3100	1
60	90.0671.00	Anello d'arresto ZJ30	1
61	53.1500.22	Coperchio laterale carter	1

POS	COD.	DESCRIZIONE - DESCRIPTION - KIT	NR
1	58.1202.41 58.1206.41	Testata pompa D. 18 Testata pompa D. 20	1
2	36.2025.51	Guida valvola d'aspirazione	269
3	94.7376.00	Molla Dm. 9.4x14.8	269
4	36.2001.76	Valvola sferica	269
5	36.2003.66	Sede valvola d'aspirazione	269
6	90.3841.00	OR D. 17.13x2.62 NBR SH 70 306	269
7	36.7115.01	Gr. valvola d'aspirazione	269
8	90.3847.00	OR D. 20.24x2.62 NBR SH. 90 3081	270
9	98.2226.00	Tappo M24x1.5x16.7	270
10	99.1690.00	Vite M5x55	3
11	96.6905.00	Rosetta D. 5.0x11.5x0.4	3
12	58.0402.09 59.0400.09	Pistone D. 18x42 Pistone D. 20x42	3
13	90.3674.00	OR D. 12.00x2.00 NBR SH. 70	269
14	36.2113.66	Sede valvola di mandata	269
15	36.2112.76	Valvola sferica	269
16	94.7333.00	Molla Dm. 6.2x10.4	269
17	36.2111.51	Guida valvola di mandata	269
18	36.7193.01	Gr. valvola mandata	269
19	90.3593.00	OR D. 15.60x1.78 NBR SH. 70 2062	270
20	98.2137.00	Tappo M18x1.5x10	270
21	99.3175.00	Vite M8x60 UNI 5931	8

VERSION A (for electric motors NEMA 184 TC)

E2C2109 - E2C2111 - E2C1713 - E2C1714 - E2C1715



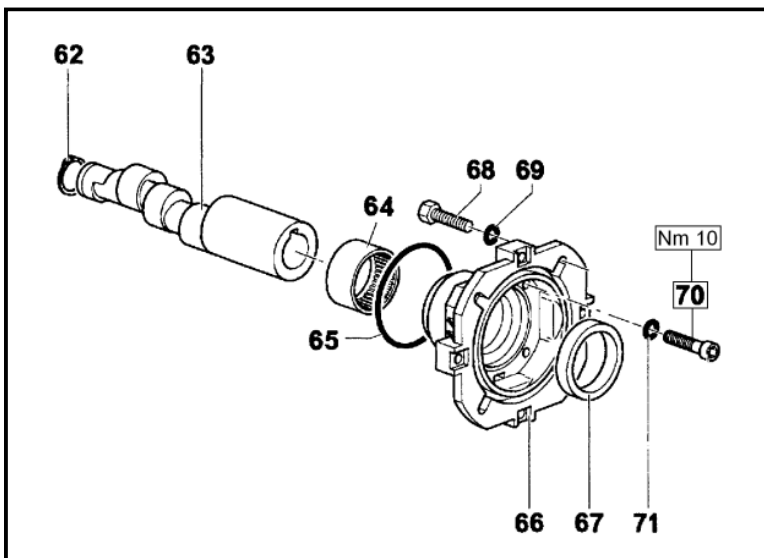
DIS. COD. 58.9502.00

POS	COD.	DESCRIZIONE - DESCRIPTION	NR
51	90.0635.00	Anello di fermo D. 25 UNI 7435	1
52	63.0232.6563. 0236.65 63.0294.65	Albero ecc. C.10 - E2C1713 E2C2109 Albero ecc. C.12 - E2C1715 E2C2111 Albero ecc. C.11 - E2C1714	1
53	99.1790.00	Vite M6x6 UNI 5929	1
54	91.8568.00	Boccola a rullini D. 45x52x20	1
55	90.4097.00	OR D. 55.56x3.56 NBR SH. 70 159	1
56	10.0504.22	Flangia per motore elettrico	1
57	90.1690.00	Anello rad. D. 45.0x62.0x8.0	1
58	99.4600.00	Vite 1/2"x1-1/4"	4
59	96.7195.00	Rosetta D. 13.0x18.0x1.1	4
60	99.1912.00	Vite M6x30 UNI 5931	4
61	96.6938.00	Rosetta D. 6.4x10.0x0.7	4

SERIE 58

VERSION B (for electric motors IEC 100-112 B14)

E2B2008 - E2B2010 - E2B1711 - E2B1712 - E2B1713
E2B2014 - E2B2808 - E2D2010 - E2D2011 - E2D2013
E2D2015 - E2D2016 - E2D2810 - E2D2811 - E2D2812
E2D2813



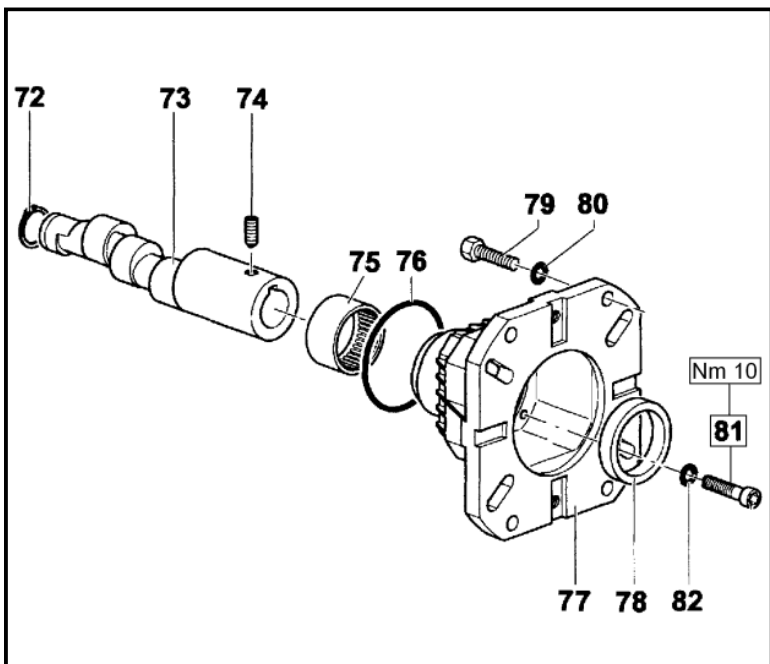
DIS. COD. 58.9503.00

POS	COD.	DESCRIZIONE - DESCRIPTION	NR
62	90.0635.00	Anello di fermo D. 25 UNI 7435	1
63	63.0245.65 63.0248.65 63.0252.65 63.0256.65 63.0295.65 63.0293.65	Albero ecc. C.6.5 - E2D2010 Albero ecc. C.8 - E2D2011 Albero ecc. C.10 - E2B1711 E2B2008 E2D2810 E2D2013 Albero ecc. C.12 - E2B1713 E2D2016 E2D2812 Albero ecc. C.13 - E2B2010 E2B2014 E2B2808 E2D2813 Albero ecc. C.11 - E2B1712 E2D2015 E2D2811	1
64	91.8568.00	Boccola a rullini D. 45x52x20	1
65	90.4097.00	OR D. 55.56x3.56 NBR SH. 70 159	1
66	10.0494.22	Flangia per motore elettrico	1
67	90.1690.00	Anello rad. D. 45.0x62.0x8.0	1
68	99.3067.00	Vite M8x25 UNI 5739	4
69	96.7014.00	Rosetta D. 8.4x13.0x0.8	4
70	99.1912.00	Vite M6x30 UNI 5931	4
71	96.6938.00	Rosetta D. 6.4x10.0x0.7	4

SERIE 58

VERSION C 1" (for gasoline engines SAE J 609 type B ext.4)

E2E2111 - E2E2113 - E2E2114 - E2E2116 - E2E2808
E2E2810 - E2E2811 - E2E2812 - E2E2813 - E2E2815



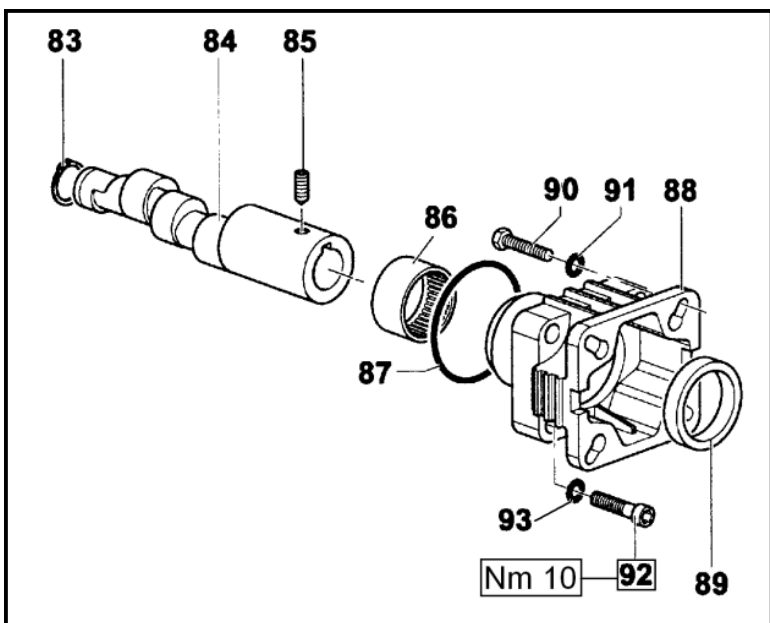
DIS. COD. 58.9504.00

SERIE 58

POS	COD.	DESCRIZIONE - DESCRIPTION	NR
72	90.0635.00	Anello d'arresto A25	1
73	63.0277.65 63.0280.65 63.0282.65 63.0284.65 63.0292.65 63.0290.65	Albero ecc. C.6.5 - E2E2111 E2E2808 Albero ecc. C.8 - E2E2113 E2E2810 Albero ecc. C.9 - E2E2811 E2E2114 Albero ecc. C.10 - E2E2116 E2E2812 Albero ecc. C.11 - E2E2813 Albero ecc. C.13 - E2E2815	1
74	99.1790.00	Vite M6x6 UNI 5929	1
75	91.8568.00	Boccola a rullini D. 45x52x20	1
76	90.4097.00	OR D. 55.56x3.56 NBR SH. 70 159	1
77	10.0518.22	Flangia per motore a scoppio	1
78	90.1690.00	Anello rad. D. 45.0x62.0x8.0	1
79	99.2755.00 99.3346.00	Vite 5/16"x1" Vite 3/8"x1"-1/4"	4
80	96.7020.00 96.7104.00	Rosetta D. 8.4x15.0x1.5 Rosetta D. 10.5x16.0x1.0	4
81	99.1912.00	Vite M6x30 UNI 5931	4
82	96.6938.00	Rosetta D. 6.4x10.0x0.7	4

VERSION C 3/4" (for gasoline engines SAE J 609 type A ext.3)

E2E2108 - E2E2111 - E2E2113



DIS. COD. 58.9501.00

SERIE 58

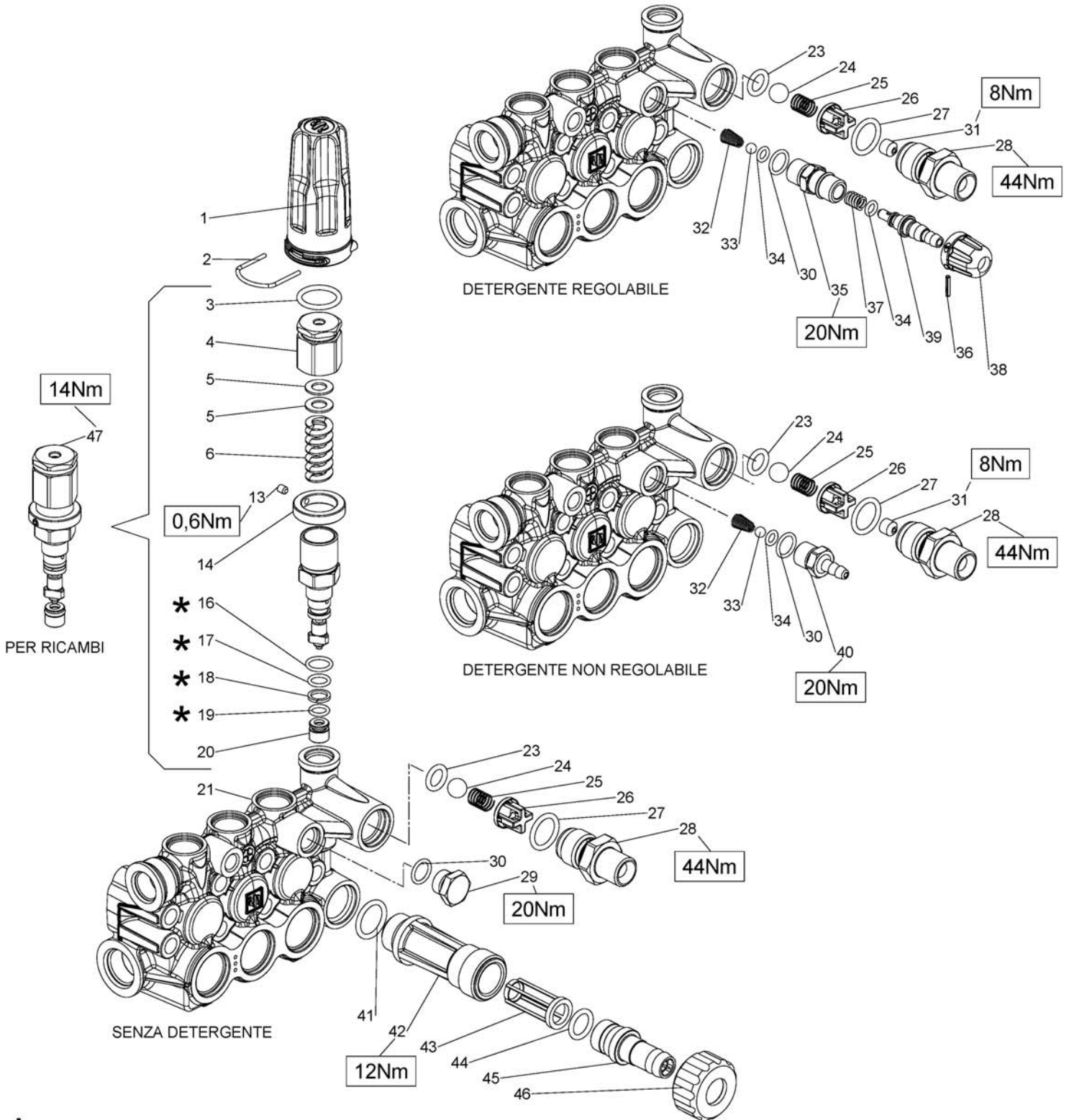
POS	COD.	DESCRIZIONE - DESCRIPTION	NR
83	90.0635.00	Anello d'arresto A25	1
84	63.0262.65 63.0264.65 63.0266.65	Albero ecc. C.5 - E2E2108 Albero ecc. C.6.5 - E2E2111 Albero ecc. C.8 - E2E2113	1
85	99.1790.00	Vite M6x6 UNI 5929	1
86	91.8568.00	Boccola a rullini D. 45x52x20	1
87	90.4097.00	OR Ø 55.56x3.53 NBR SH. 70 159	1
88	10.0617.22	Flangia motore a scoppio	1
89	90.1687.00	Anello rad. D. 45.0x60.0x8.0	1
90	99.2730.00	Vite 5/16"x3/4"x24	4
91	96.7014.00	Rosetta D. 8.4x13.0x0.8	4
92	99.1912.00	Vite M6x30 UNI 5931	4
93	96.6938.00	Rosetta D. 6.4x10.0x0.7	4

VH VERSION

VERSIONE CON VALVOLA DI REGOLAZIONE AUT. - VERSION WITH BUILT-IN AUT. UNLOADER
 VERSION AVEC RÉGULATEUR AUT. DE PRESSION INCORPORÉ
 AUSFÜHRUNG MIT EINGEBAUTEM AUT. DRUCKREGULIERVENTIL
 VERSIÓN CON REGULADOR AUT. DE PRESIÓN INCORPORADO - VERSÃO COM VÁLVULA DO REGULAMENTO AUT.

SERIE 58

OPTIONALS



DIS. COD. 36.9547.00

VH VERSION

**VERSIONE CON VALVOLA DI REGOLAZIONE AUT. – VERSION WITH BUILT-IN AUT. UNLOADER
VERSION AVEC RÉGULATEUR AUT. DE PRESSION INCORPORÉ
AUSFÜHRUNG MIT EINGEAUTEM AUT. DRUCKREGULIERVENTIL
VERSIÓN CON REGULADOR AUT. DE PRESIÓN INCORPORADO - VERSÃO COM VÁLVULA DO REGULAMENTO AUT.**

POS	COD.	DESCRIZIONE – DESCRIPTION - KIT	NR
1	36.3506.51	Pomolo di regolazione	1
2	10.0846.66	Forcella per pomolo di regolazione	1
3	90.3845.00	OR D. 18.72x2.62 NBR SH. 70 3075	1
4	36.3481.70	Registro di pressione	1
5	36.3486.51	Rondella di scorrimento	2
6	94.7395.00	Molla Dm. 11.3x34.5	1
13	99.1267.00	Vite M4x5 UNI 5929	1
14	36.3477.70	Ghiera di pressione massima	1
16	90.3587.00	OR D. 11.11x1.78 NBR SH. 70 114	1
17	90.3581.00	OR D. 8.73x1.78 NBR SH. 70 108	1
18	90.5038.00	Anello antiest. D. 9.0x12.0x1.5	1
19	90.3578.00	OR D. 7.66x1.78 NBR SH. 70 2031	1
20	36.3483.66	Sede	1
21	58.1205.41 58.1204.41 58.1203.41	Testata pompa con valv. integ. D. 18 Testata pompa con valv. integ. D. 15 Testata pompa con valv. integ. D. 13	1
23	90.3823.00	OR D. 9.92x2.62 NBR SH. 70 112	278 1
24	97.4838.00	Sfera D. 13/32"	278 1
25	94.7355.00	Molla Dm. 8.5x12.0	278 1
26	36.3104.51	Guida valvola	278 1
27	90.3839.00	OR D. 15.88x2.62 NBR SH. 70 121	278 1
28	36.3490.70 36.3489.70 36.3488.70 36.3487.70 36.3479.70	Nipplo 3/8" NPT - F - D. 3 Nipplo G 3/8" - F - D. 3 Nipplo M22x1.5 - D. 3 Nipplo 3/8" NPT - M - D. 3 Nipplo G 3/8" - M - D. 3	1
29	98.2041.00	Tappo G 1/4"x9	1
30	90.3585.00	OR D. 10.82x1.78 NBR SH. 70 2043 279-280	1
31	10.0795.66 10.0798.66	Ugello per iniettore D. 2 Ugello per iniettore D. 2.2	1
32	94.8217.00	Molla conica Dm. 4.3/7.3x11.0	279-280 1
33	97.4782.00	Sfera D. 7/32"	279-280 1
34	90.3573.00	OR D. 5.28x1.78 NBR SH. 70 2021 279-280	1÷2
35	36.3482.70	Sede valvola detergente	279 1

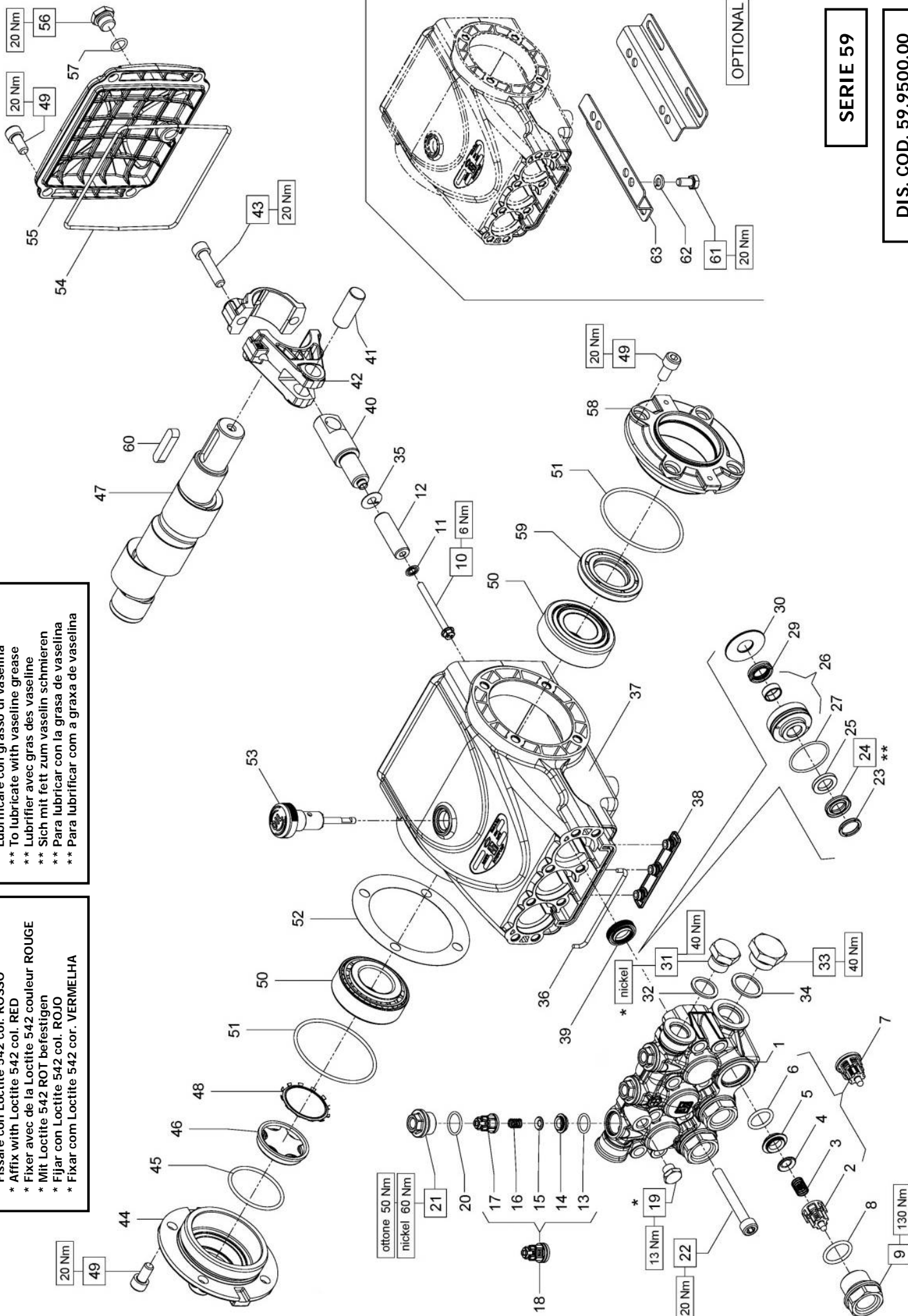
POS	COD.	DESCRIZIONE – DESCRIPTION - KIT	NR
36	97.6615.00	Spina elastica D. 2x12 UNI 6873	279 1
37	94.7334.00	Molla Dm. 6.4x12.5	279 1
38	36.3484.51	Pomolo detergente rosso	279 1
39	36.3342.70	Otturatore con porta-gomma	279 1
40	36.3492.70	Porta-gomma	280 1
47	36.6054.01	Frutto valvola con sede	278 1
OPTIONALS			
41	90.3841.00	OR D. 17.13x2.62 NBR SH. 70 3068	1
42	36.3182.51	Nipplo aspirazione G 3/4"	1
43	92.8925.00	Filtro D. 12x35	1
44	90.3828.00	OR D. 12.37x2.62 NBR SH. 70 3050	1
45	36.2569.51	Porta-gomma aspirazione	1
46	92.9828.00	Ghiera G 3/4" – D. 15	1

KIT RICAMBI - SPARE KITS

KIT NR.	KIT 278	KIT 279	KIT 280
Posizioni include Positions included	23 - 24 25 - 26 27 - 47	30 - 32 33 - 34 35 - 36 37 - 38 39	30 - 32 33 - 34 40
Nr. Pcs.	1	1÷2	1

** Lubrificare con grasso di vaselina
 ** To lubricate with vaseline grease
 ** Lubrifier avec gras des vaseline
 ** Sich mit fett zum vaselin schmieren
 ** Para lubricar con la grasa de vaselina
 ** Para lubrificac con a graxa de vaselina

* Fissare con Loctite 542 col. ROSSO
 * Affix with Loctite 542 col. RED
 * Fixer avec de la Loctite 542 couleur ROUGE
 * Mit Loctite 542 ROT befestigen
 * Fijar con Loctite 542 col. ROJO
 * Fixar com Loctite 542 cor. VERMELHA



SERIE 59

DIS. COD. 59.9500.00



E3B1911 - E3C1713 - E3C1515 - E3C1218
E3C1021 - E3B1515 - E3B1713 - E3B1021
E3A1515 - E3B1218 - E3A1713

KIT RICAMBI - SPARE KITS

KIT Nr.	PISTON D. 18			PISTON D. 20			PISTON D. 22		
	KIT 269	KIT 270	KIT 271	KIT 284	KIT 289	KIT 285	KIT 290	KIT 286	KIT 291
2 - 3 - 4 - 5 6 - 13 - 14 15 - 16 - 17 (7) - (18)	8 - 9 20 - 21	39	23 - 24 25 - 27 29	23 - 24 25 - 26 27 - 29 30	23 - 24 25 - 26 27 - 29 30	23 - 24 25 - 27 29	23 - 24 25 - 26 27 - 29 30	23 - 24 25 - 27 29	23 - 24 25 - 26 27 - 29 30
Nr. Pcs.	3	3	3	3	1	3	1	3	1

PISTON D. 18	PISTON D. 20	PISTON D. 22
E3B1911 E3C1713	E3C1515 - E3C1218 E3C1021 - E3B1515 E3B1713	E3B1021 - E3A1515 E3B1218 - E3A1713

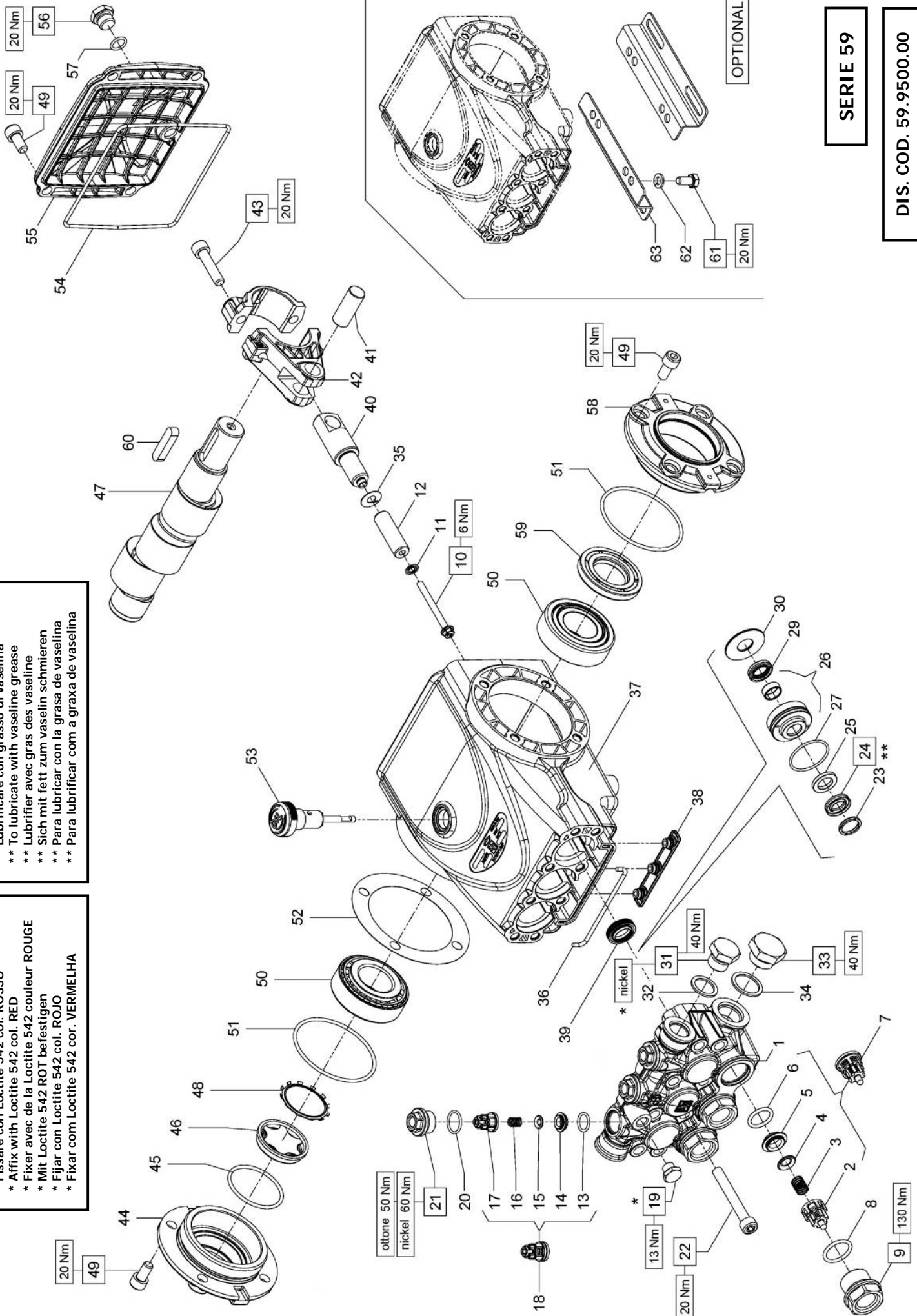
POS	COD.	DESCRIZIONE - DESCRIPTION - KIT	NR
1	59.1202.41 59.1203.41 59.1204.41	Testata pompa D. 18 Testata pompa D. 20 Testata pompa D. 22	1
2	36.2025.51	Guida valvola d'aspirazione	269 3
3	94.7376.00	Molla Dm. 9.4x14.8	269 3
4	36.2001.76	Valvola sferica	269 3
5	36.2003.66	Sede valvola d'aspirazione	269 3
6	90.3841.00	OR D.17.13x2.62 NBR SH. 70 3068	269 3
7	36.7115.01	Gr. valvola d'aspirazione	269 3
8	90.3847.00	OR D.20.24x2.62 NBR 70 SH 3081 270	270 3
9	98.2226.00	Tappo M 24x1.5x16.7	270 3
10	99.1690.00	Vite M 5x55	3
11	96.6905.00	Rosetta D. 5.0x11.5x0.4	3
12	58.0402.09 59.0400.09 59.0401.09	Pistone D. 18x42 Pistone D. 20x42 Pistone D. 22x42	3
13	90.3674.00	OR D.12.00x2.00 NBR SH. 70	269 3
14	36.2113.66	Sede valvola di mandata	269 3
15	36.2112.76	Valvola sferica	269 3
16	94.7333.00	Molla Dm. 6.2x10.4	269 3
17	36.2111.51	Guida valvola di mandata	269 3
18	36.7193.01	Gr. valvola di mandata	269 3
19	98.1966.00	Tappo G 1/8"x8	1
20	90.3593.00	OR D.15.60x1.78 NBR SH. 70 2062	270 3

POS	COD.	DESCRIZIONE - DESCRIPTION - KIT	NR
21	98.2137.00	Tappo M18x1.5x10 D.23-D.12	270 3
22	99.3175.00	Vite M 8x60 UNI 5931	8
23	66.1007.51 66.1009.51 63.1011.51	Anello di testa D. 20 285-290 Anello di testa D. 22 286-291 Anello di testa D. 18 284-289	3
24	90.2691.00 90.2716.00 90.2653.50	An. ten.alt. D.20x30x6/3.7 HP 285-290 An. ten.alt. D.22x32x6/3.7 HP 286-291 An. ten.alt. D.18x28x46/3.7 HP 284-289	3
25	90.5111.50 90.5134.00 90.5148.50	Anello antiest. D. 18x28x2 284-289 Anello antiest. D. 20x30x2 285-290 Anello antiest. D. 22x32x2 286-291	3
26	59.6060.01 59.6061.01 59.6062.01	Gr. supp. guarn./bussola D. 18 289 Gr. supp. guarn./bussola D. 20 290 Gr. supp. guarn./bussola D. 22 291	3
27	90.3612.00	OR D. 31.47x1.78 NBR SH. 70 2125 284-285-286-289-290-291	3
29	90.2690.00 90.2715.00 90.2650.00	Anello ten. alt. D.20x28x6.5 LP 285-290 Anello ten. alt. D.22x30x6.5 LP 286-291 Anello ten. alt. D.18x24x5 LP 284-289	3
30	59.2107.70 59.2108.70 59.2109.70	Anello per tenuta D. 18 289 Anello per tenuta D. 20 290 Anello per tenuta D. 22 291	3
31	98.2100.00	Tappo G 3/8"x13	1
32	96.7380.00	Rosetta D. 17.5x23.0x1.5	1
33	98.2176.00	Tappo G 1/2"x10	1
34	96.7514.00	Rosetta D. 21.5x27.0x1.5	1
35	96.6980.00	Rosetta D. 7.5x18.0x0.5	3
36	59.2110.82	Guarnizione spugna D. 3x103	1
37	59.0100.22	Carter pompa	1
38	58.2104.51	Protezione	1
39	90.1565.50	Anello rad. D. 15.0x24.0x5.0/7.0 271	3

POS	COD.	DESCRIZIONE - DESCRIPTION - KIT	NR
40	59.050066	Guida pistone	3
41	97.7399.00	Spinotto D. 14x34	3
42	59.0300.01	Biella completa	3
43	99.3099.00	Vite serraggio biella M 8x35	6
44	47.1512.22	Coperchio laterale lato spia	1
45	90.3877.00	OR D. 39.34x2.62 NBR SH. 70 3156	1
46	70.2118.01	Spia livello olio	1
47	59.0201.35 E3A1515 59.0202.35 E3B1515 E3A1713 59.0203.35 Albero ecc. C.10 - E3C1515 E3B1911 E3B1713 E3C1713	Albero ecc. C.13 - E3B1021 E3C1021 Albero ecc. C.12 - E3B1218 E3C1218 Albero ecc. C.10 - E3C1515 E3B1911 E3B1713 E3C1713	1
48	90.0756.00	Anello d'arresto ZJ45	1
49	99.3039.00	Vite M 8x16 UNI 5931	12
50	91.8375.00	Cuscinetto a rulli	2
51	90.3913.00	OR D. 67.95x2.62 NBR SH. 70 3628	2
52	97.5680.00 97.5978.00	Spessore D. 74.5x104x0.3 Spessore D. 74.5x104x0.1	-
53	98.2103.00	Asta livello olio G 3/8"x51	1
54	90.3922.00	OR D. 133.02x2.62 NBR SH. 70 3525	1
55	59.1600.22	Coperchio posteriore carter	1
56	98.2042.50	Tappo G 1/4"x9 TE17 - Zinc.	1
57	90.3585.00	OR D. 10.82x1.78 NBR SH. 70 2043	1
58	47.1510.22	Coperchio laterale lato PTO	1
59	90.1648.00	Anello rad. D. 30.0x55.0x7.0	1
60	91.4892.00	Linguetta 8x7x35	1
61	99.3037.00	Vite M 8x16 UNI 5739	4
62	96.7016.00	Rosetta D. 8.4 UNI 1751	4
63	50.2000.74	Piedino pompa	2

** Lubrificare con grasso di vaselina
 ** To lubricate with vaseline grease
 ** Lubrifier avec gras des vaseline
 ** Sich mit fett zum vaselin schmieren
 ** Para lubricar con la grasa de vaselina
 ** Para lubrificac con a graxa de vaselina

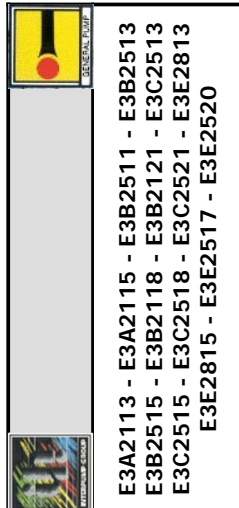
* Fissare con Loctite 542 col. ROSSO
 * Affix with Loctite 542 col. RED
 * Fixer avec de la Loctite 542 couleur ROUGE
 * Mit Loctite 542 ROT befestigen
 * Fijar con Loctite 542 col. ROJO
 * Fixar com Loctite 542 cor. VERMELHA



OPTIONAL

SERIE 59

DIS. COD. 59.9500.00



KIT RICAMBI - SPARE KITS

KIT Nr.	KIT 269	PISTON D. 13			PISTON D. 15			PISTON D. 18			PISTON D. 20			PISTON D. 22	
		KIT 271	KIT 282	KIT 287	KIT 283	KIT 288	KIT 284	KIT 289	KIT 285	KIT 290	KIT 286	KIT 291			
Posizioni include	2 - 3 - 4 - 5 6 - 13 - 14 15 - 16 - 17 (7) - (18)	8 - 9 20 - 21	23 - 24 25 - 26 27 - 29 30	23 - 24 25 - 26 27 - 29 30	23 - 24 25 - 26 27 - 29 30	23 - 24 25 - 26 27 - 29 30	23 - 24 25 - 26 27 - 29 30	23 - 24 25 - 26 27 - 29 30	23 - 24 25 - 26 27 - 29 30	23 - 24 25 - 26 27 - 29 30	23 - 24 25 - 26 27 - 29 30	23 - 24 25 - 26 27 - 29 30	23 - 24 25 - 26 27 - 29 30	23 - 24 25 - 26 27 - 29 30	
Nr. Pcs.	3	3	3	3	3	3	3	3	3	3	3	3	3	3	

**E3A2113 - E3A2115 - E3B2511 - E3B2513
E3B2515 - E3B2118 - E3B2121 - E3C2513
E3C2515 - E3C2518 - E3C2521 - E3E2813
E3E2815 - E3E2517 - E3E2520**

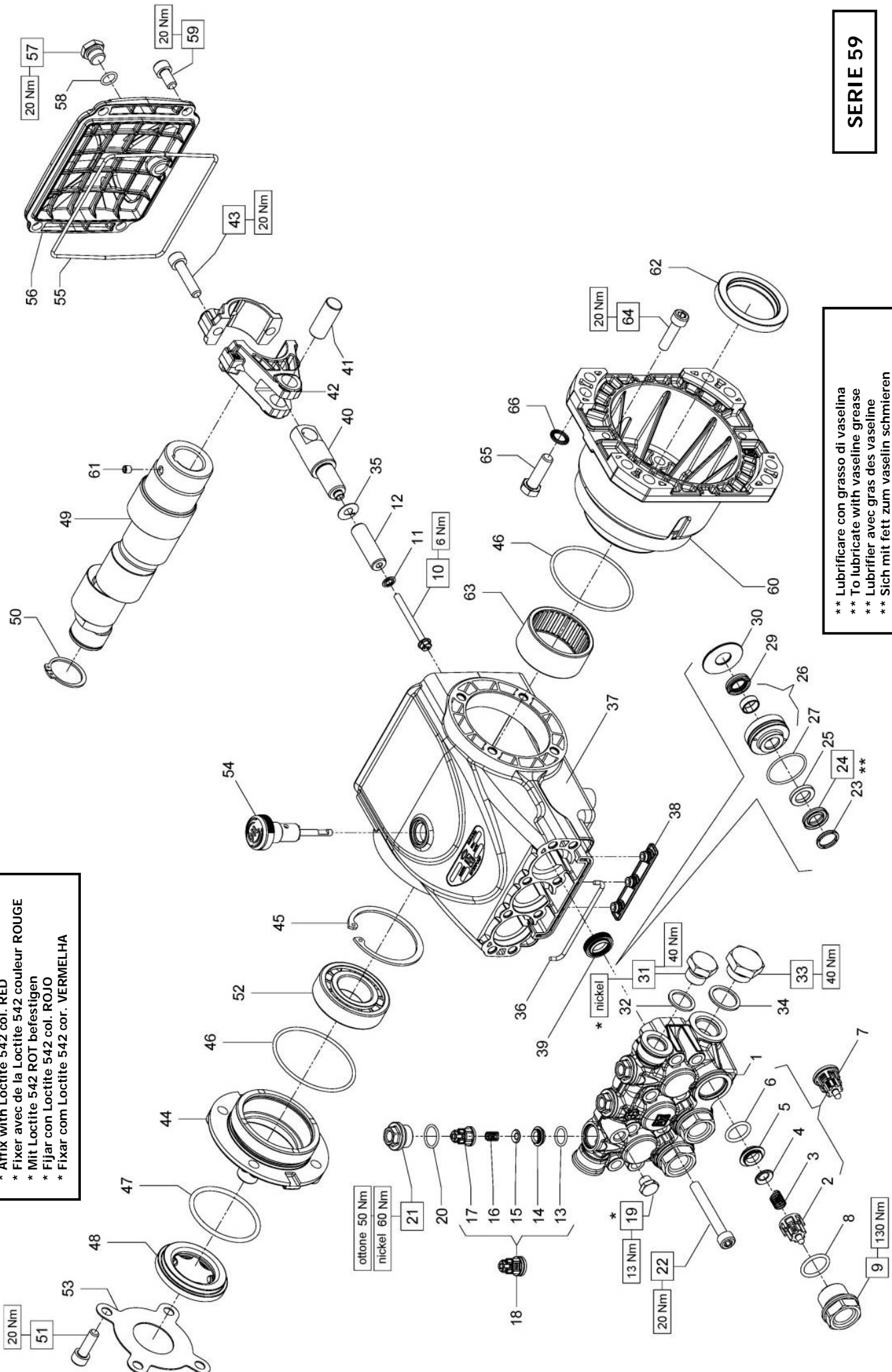
D. 13	D. 15	D. 18	D. 20	D. 22
E3E2813 E3E2815	E3E2517 E3E2520	E3B2511 E3C2513	E3B2513 E3C2515 E3C2518 E3C2521	E3A2113 E3A2115 E3B2118 E3B2121

POS	COD.	DESCRIZIONE - DESCRIPTION - KIT	NR
1	59.1210.41 59.1211.41 59.1212.41 59.1213.41 59.1214.41	Testata pompa D. 13 - NICKEL Testata pompa D. 15 - NICKEL Testata pompa D. 18 - NICKEL Testata pompa D. 20 - NICKEL Testata pompa D. 22 - NICKEL	1
2	36.2025.51	Guida valvola d'aspirazione	269 3
3	94.7376.00	Molla Dm. 9.4x14.8	269 3
4	36.2001.76	Valvola sferica	269 3
5	36.2003.66	Sede valvola d'aspirazione	269 3
6	90.3841.00	OR D. 17.13x2.62 NBR SH. 70 3068	269 3
7	36.7115.01	Gr. valvola d'aspirazione	269 3
8	90.3847.00	OR D.20.24x2.62 NBR SH. 70 3081	292 3
9	98.2225.00	Tappo M 24x1.5x16.7	292 3
10	99.1690.00	Vite M 5x55	3
11	96.6905.00	Rosetta D. 5.0x11.5x0.4	3
12	58.0400.09 58.0401.09 58.0402.09 59.0400.09 59.0401.09	Pistone D. 13x42 Pistone D. 15x42 Pistone D. 18x42 Pistone D. 20x42 Pistone D. 22x42	3
13	90.3674.00	OR D. 12.00x2.00 NBR SH. 70	269 3
14	36.2113.66	Sede valvola di mandata	269 3
15	36.2112.76	Valvola sferica	269 3
16	94.7333.00	Molla Dm. 6.2x10.4	269 3
17	36.2111.51	Guida valvola di mandata	269 3
18	36.7193.01	Gr. valvola di mandata	269 3
19	98.1967.00	Tappo G 1/8"x8	1
20	90.3593.00	OR D.15.60x1.78 NBR SH. 70 2062	292 3

POS	COD.	DESCRIZIONE - DESCRIPTION - KIT	NR
21	98.2137.50	Tappo M18x1.5x10 D.23 - D.12	292 3
22	99.3175.00	Vite M 8x60 UNI 5931	8
23	44.1002.51 63.1010.51 66.1007.51 66.1009.51 63.1011.51	Anello di testa D. 13 Anello di testa D. 15 Anello di testa D. 20 Anello di testa D. 22 Anello di testa D. 18	282-287 283-288 285-290 286-291 284-289
24	90.2602.00 90.2611.00 90.2691.00 90.2716.00 90.2653.50	An. ten.alt.D.13x21x4 HP An. ten.alt.D.15x24x5.4/3.4 HP An. ten.alt.D.20x30x6/3.7 HP An. ten.alt.D.22x32x6/3.7 HP An. ten.alt.D.18x28x46/3.7 HP	282-287 283-288 285-290 286-291 284-289
25	90.5076.00 90.5089.90 90.5111.50 90.5134.00 90.5148.50	Anello antiest. D. 13x21x4 Anello antiest. D. 15x24x2 Anello antiest. D. 18x28x2 Anello antiest. D. 20x30x2 Anello antiest. D. 22x32x2	282-287 283-288 284-289 285-290 286-291
26	59.6058.01 59.6059.01 59.6060.01 59.6061.01 59.6062.01	Gr. supp. guarn./bussola D. 13 Gr. supp. guarn./bussola D. 15 Gr. supp. guarn./bussola D. 18 Gr. supp. guarn./bussola D. 20 Gr. supp. guarn./bussola D. 22	287 288 289 290 291
27	90.3612.00	OR D. 31.47x1.78 NBR SH. 70 2125 282-283-284-285-286-287-288-289-290-291	3
29	90.2601.00 90.2608.00 90.2690.00 90.2715.00 90.2650.00	Anello ten. alt. D.13x20x5 LP Anello ten. alt. D.15x22x5 LP Anello ten. alt. D.20x28x6.5 LP Anello ten. alt. D.22x30x6.5 LP Anello ten. alt. D.18x24x5 LP	282-287 283-288 285-290 286-291 284-289
30	59.2105.70 59.2106.70 59.2107.70 59.2108.70 59.2109.70	Anello per tenuta D. 13 Anello per tenuta D. 15 Anello per tenuta D. 18 Anello per tenuta D. 20 Anello per tenuta D. 22	287 288 289 290 291
31	98.2099.00	Tappo G 3/8"x13	1
32	96.7380.00	Rosetta D. 17.5x23.0x1.5	1
33	98.2179.00	Tappo G 1/2"x10	1
34	96.7514.00	Rosetta D. 21.5x27.0x1.5	1

POS	COD.	DESCRIZIONE - DESCRIPTION - KIT	NR
35	96.6990.00	Rosetta D. 7.5x23.0x0.5	3
36	59.2110.82	Guarnizione spugna D. 3x103	1
37	59.0100.22	Carter pompa	1
38	58.2104.51	Protezione	1
39	90.1565.50	Anello rad. D. 15.0x24.0x5.0/7.0	271 3
40	59.0500.66	Guida pistone	3
41	97.7399.00	Spinotto D. 14x34	3
42	59.0300.01	Biella completa	3
43	99.3099.00	Vite serraggio biella M 8x35	6
44	47.1512.22	Coperchio laterale lato spia	1
45	90.3877.00	OR D. 39.34x2.62 NBR SH. 70 3156	1
46	70.2118.01	Spia livello olio	1
47	59.0201.35 59.0202.35 59.0203.35	Albero ecc. C.13 - E3A2115 E3B2121 E3C2521 E3E2815 Albero ecc. C.12 - E3A2113 E3B2118 E3B2515 E3C2518 E3E2520 Albero ecc. C.10 - E3B2511 E3B2513 E3C2513 E3C2515 E3E2813 E3E2517	1
48	90.0756.00	Anello d'arresto ZJ45	1
49	99.3039.00	Vite M 8x16 UNI 5931	12
50	91.8375.00	Cuscinetto a rulli	2
51	90.3913.00	OR D. 67.95x2.62 NBR SH. 70 3628	2
52	97.5680.00 97.5978.00	Spessore D. 74.5x104x0.3 Spessore D. 74.5x104x0.1	1
53	98.2105.00	Asta livello olio G 3/8"x51	1
54	90.3922.00	OR D. 133.02x2.62 NBR SH. 70 3525	1
55	59.1600.22	Coperchio posteriore carter	1
56	98.2042.50	Tappo G 1/4"x9 TE17 - Zinc.	1
57	90.3585.00	OR D. 10.82x1.78 NBR SH. 70 2043	1
58	47.1510.22	Coperchio laterale lato PTO	1
59	90.1648.00	Anello rad. D. 30.0x55.0x7.0	1
60	91.4892.00	Linguetta 8x7x35	1
61	99.3037.00	Vite M 8x16 UNI 5739	4
62	96.7016.00	Rosetta D. 8.4 UNI 1751	4
63	50.2000.74	Piedino pompa	2


- * Fissare con Loctite 542 col. ROSSO
- * Affix with Loctite 542 col. RED
- * Fixer avec de la Loctite 542 couleur ROUGE
- * Mit Loctite 542 ROT befestigen
- * Fijar con Loctite 542 col. ROJO
- * Fixar com Loctite 542 cor. VERMELHA



** Lubrificare con grasso di vaselina
 ** To lubricate with vaseline grease
 ** Lubrifier avec gras des vaseline
 ** Sich mit fett zum vaselin schmieren
 ** Para lubricar con la grasa de vaselina
 ** Para lubricar com a graxa de vaselina

SERIE 59

DIS. COD. 59.9501.00

	
E3E2813 - E3E2815 - E3E2517 - E3E2520	
E3E2813 - E3E2815 - E3E2517 - E3E2520	

PISTON D. 13		PISTON D. 15
E3E2813 - E3E2815	E3E2517 - E3E2520	

POS	COD.	DESCRIZIONE - DESCRIPTION - KIT	NR
1	59.1210.41 59.1211.41	Testata pompa D. 13 - NICKEL Testata pompa D. 15 - NICKEL	1
2	36.2025.51	Guida valvola d'aspirazione	269 3
3	94.7376.00	Molla Dm. 9.4x14.8	269 3
4	36.2001.76	Valvola sferica	269 3
5	36.2003.66	Sede valvola d'aspirazione	269 3
6	90.3841.00	OR D. 17.13x2.62 NBR SH. 70 3068	269 3
7	36.7115.01	Gr. valvola d'aspirazione	269 3
8	90.3847.00	OR D.20.24x2.62 NBR SH. 70 3081	292 3
9	98.2225.00	Tappo M24x1.5x16.7	292 3
10	99.1690.00	Vite M 5x55	3
11	96.6905.00	Rosetta D. 5.0x11.5.0x0.4	3
12	58.0400.09 58.0401.09	Pistone D. 13x42 Pistone D. 15x42	3
13	90.3674.00	OR D.12.00x2.00 NBR 70 SH	269 3
14	36.2113.66	Sede valvola di mandata	269 3
15	36.2112.76	Valvola sferica	269 3
16	94.7333.00	Molla Dm. 6.2x10.4	269 3
17	36.2111.51	Guida valvola di mandata	269 3
18	36.7193.01	Gr. valvola di mandata	269 3
19	98.1967.00	Tappo G 1/8"x8 - NICKEL	1
20	90.3593.00	OR D.15.60x1.78 NBR SH. 70 2062	292 3
21	98.2137.50	Tappo M18x1.5x10 D.23-D.12 - NK 292	3
22	99.3175.00	Vite M 8x60 UNI 5931	8

KIT RICAMBI - SPARE KITS			
KIT 269		KIT 271	
KIT Nr.	KIT 292	KIT 287	PISTON D. 15
Posizioni include Positions included	8 - 9 20 - 21	23 - 24 25 - 26 27 - 29 30	KIT 283 23 - 24 25 - 26 27 - 29 29
Nr. Pcs.	3 + 3	3	3

POS	COD.	DESCRIZIONE - DESCRIPTION - KIT	NR
23	63.1010.51 44.1002.51	Anello di testa D. 15 Anello di testa D. 13	283-288 282-287
24	90.2611.00 90.2602.00	An. ten.alt. D.15x24x5.4/3.4 HP An. ten.alt. D.13x21x4 HP	283-288 282-287
25	90.5076.50 90.5089.90	Anello antifest. D. 13x21x4 Anello antifest. D. 15x24x2	282-287 283-288
26	59.6058.01 59.6059.01	Gr. supp. guarn./bussola D. 13 Gr. supp. guarn./bussola D. 15	287 288
27	90.3612.00	OR D. 31.47x1.78 NBR SH. 70 2125	282-283-284-285-286-287-288-289-290-291
29	90.2608.00 90.2601.00	Anello ten. alt. D. 15x22x5 LP Anello ten. alt. D. 13x20x5 LP	283-288 282-287
30	59.2105.70 59.2106.70	Anello per tenuta D. 13 Anello per tenuta D. 15	287 288
31	98.2099.00	Tappo G 3/8"x13 - NICKEL	1
32	96.7380.00	Rosetta D. 17.5x23.0x1.5	1
33	98.2179.00	Tappo G 1/2"x10 - NICKEL	1
34	96.7514.00	Rosetta D. 21.5x27.0x1.5	1
35	96.6990.00	Rosetta D. 7.5x23.0x0.5	3
36	59.2110.82	Guarnizione spugna D. 3x103	1
37	59.0100.22	Carter pompa	1
38	58.2104.51	Protezione	1
39	90.1565.50	Anello rad. D. 15.0x24.0x5.0/7.0	271 3
40	59.0500.66	Guida pistone	3
41	97.7399.00	Spinotto D. 14x34	3
42	59.0300.01	Biella completa	3
43	99.3099.00	Vite serraggio biella	6
44	47.1500.22	Coperchio laterale lato spia	1

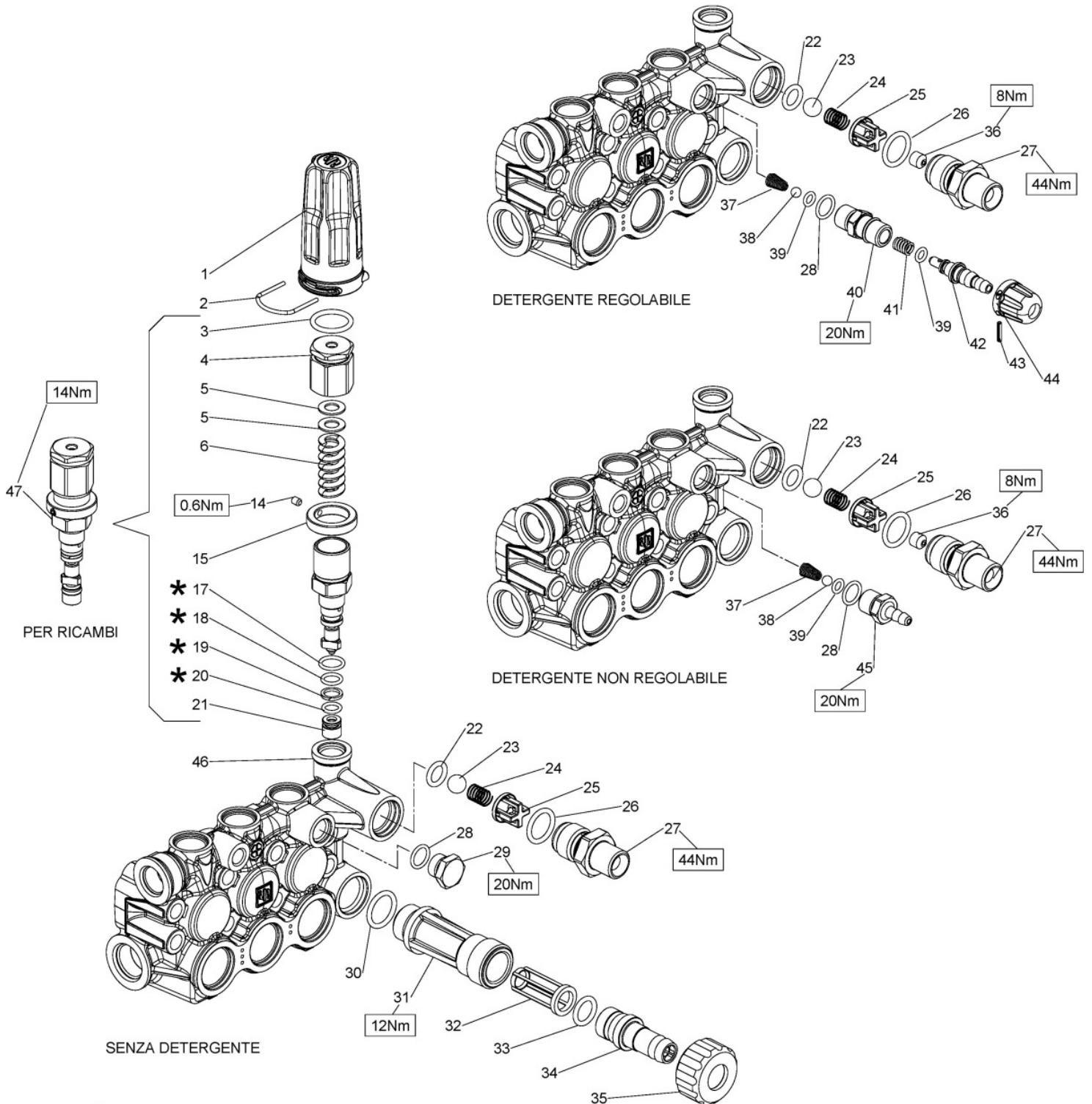
POS	COD.	DESCRIZIONE - DESCRIPTION - KIT	NR
45	90.0850.00	Anello d'arresto J62	1
46	90.3913.00	OR D. 67.95x2.62 NBR SH. 70 3628	2
47	90.4097.00	OR D. 55.56x3.53 NBR SH. 70 159	1
48	44.2118.01	Distanziale con indicatore	1
49	59.0204.65 59.0205.65 59.0206.65	Albero ecc. C. 13 - E3E2815 Albero ecc. C. 12 - E3E2520 Albero ecc. C. 10 - E3E2517 E3E2813	1
50	90.0667.00	Anello d'arresto A30	1
51	99.3069.00	Vite M 8x25 UNI 5931	4
52	91.8376.00	Cuscinetto a rulli	1
53	66.1502.74	Coperchio anteriore carter	1
54	98.2105.00	Asta livello olio G 3/8"x51 D.7	1
55	90.3922.00	OR D. 133.02x2362 NBR SH. 70 3525	1
56	59.1600.22	Coperchio posteriore carter	1
57	98.2042.50	Tappo G 1/4"x9 TE17 - Zinc.	1
58	90.3585.00	OR D. 10.82x1.78 NBR SH. 70 2043	1
59	99.3039.00	Vite M 8x16 UNI 5931	4
60	10.0801.22	Flangia motore a scoppio C1"	1
61	99.1790.00	Vite M 6x6 UNI 5929	1
62	90.1690.00	Anello rad. D. 45.0x62.0x8.0	1
63	91.8585.00	Boccola a rullini	1
64	99.3084.00	Vite M 8x30 UNI 5931	4
65	99.3346.00	Vite 3/8"-16x1-1/4"	4
66	96.7104.00	Rosetta D. 10.5x16.0x1.0	4

VH VERSION

VERSIONE CON VALVOLA DI REGOLAZIONE AUT. – VERSION WITH BUILT-IN AUT. UNLOADER
 VERSION AVEC RÉGULATEUR AUT. DE PRESSION INCORPORÉ
 AUSFÜHRUNG MIT EINGEBAUTEM AUT. DRUCKREGULIERVENTIL
 VERSIÓN CON REGULADOR AUT. DE PRESIÓN INCORPORADO - VERSÃO COM VÁLVULA DO REGULAMENTO AUT.

OPTIONALS

SERIE 59



* = Se necessario prima del montaggio ingrassare.
 - Usare grasso di vaselina per pompe -

DIS. COD. 36.9548.00

VH VERSION

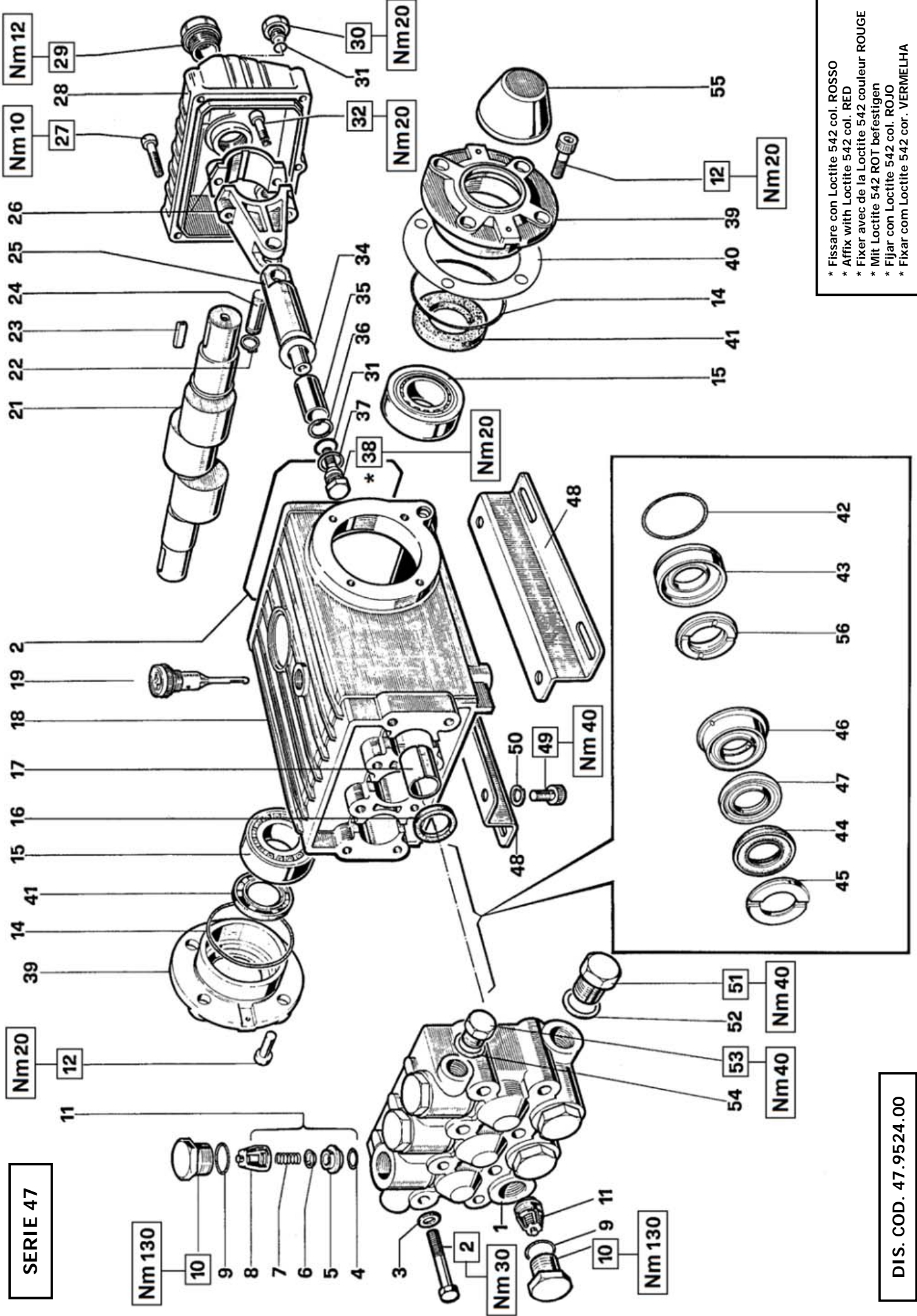
**VERSIONE CON VALVOLA DI REGOLAZIONE AUT. - VERSION WITH BUILT-IN AUT. UNLOADER
VERSION AVEC RÉGULATEUR AUT. DE PRESSION INCORPORÉ
AUSFÜHRUNG MIT EINGEBAUTEM AUT. DRUCKREGULIERVENTIL
VERSIÓN CON REGULADOR AUT. DE PRESIÓN INCORPORADO - VERSÃO COM VÁLVULA DO REGULAMENTO AUT.**

POS	COD.	DESCRIZIONE - DESCRIPTION - KIT	NR
1	36.3506.51	Pomolo di regolazione	1
2	10.0846.66	Forcella per pomolo di regolazione	1
3	90.3845.00	OR D. 18.72x2.62 NBR SH. 70 3075	1
4	36.3481.70	Registro di pressione	1
5	36.3486.51	Rondella di scorrimento	2
6	94.7395.00	Molla Dm. 11.3x34.5	1
14	99.1267.00	Vite M4x5 UNI 5929	1
15	36.3477.70	Ghiera di pressione massima	1
17	90.3587.00	OR D. 11.11x1.78 NBR SH. 70 114	1
18	90.3581.00	OR D. 8.73x1.78 NBR SH. 70 108	1
19	90.5038.00	Anello antiest. D. 9.0x12.0x1.5	1
20	90.3578.00	OR D. 7.66x1.78 NBR SH. 70 2031	1
21	36.3483.66	Sede	1
22	90.3823.00	OR D. 9.92x2.62 NBR SH. 70 112	278 1
23	97.4838.00	Sfera D. 13/32"	278 1
24	94.7355.00	Molla Dm. 8.5x12.0	278 1
25	36.3104.51	Guida valvola	278 1
26	90.3839.00	OR D. 15.88x2.62 NBR SH. 70 121	278 1
27	36.3490.70 36.3489.70 36.3488.70 36.3487.70 36.3479.70	Nipplo 3/8" NPT - F - D. 3 Nipplo G 3/8" - F - D. 3 Nipplo M22x1.5 - D. 3 Nipplo 3/8" NPT - M - D. 3 Nipplo G 3/8" - M - D. 3	1
28	90.3585.00	OR D. 10.82x1.78 NBR SH. 70 2043 279-280	1
29	98.2041.00	Tappo G 1/4"x9	1
36	10.0795.66 10.0798.66	Ugello per iniettore D. 2.0 Ugello per iniettore D. 2.2	1
37	94.8217.00	Molla conica D. 4.3/7.3x11.0	279-280 1
38	97.4782.00	Sfera D. 7/32"	279-280 1
39	90.3573.00	OR D. 5.28x1.78 NBR SH. 70 2021 279-280	1÷2
40	36.3482.70	Sede valvola detergente	279 1
41	94.7334.00	Molla Dm. 6.4x12.5	279 1
42	36.3342.70	Otturatore con porta-gomma	279 1

POS	COD.	DESCRIZIONE - DESCRIPTION - KIT	NR
43	97.6615.00	Spina elastica D. 2x12 UNI 6873	279 1
44	36.3484.51	Pomolo detergente rosso	279 1
45	36.3492.70	Portagomma	280 1
46	59.1206.41 59.1207.41 59.1208.41 59.1209.41	Testata pompa con valv. integr. D.15 Testata pompa con valv. integr. D.18 Testata pompa con valv. integr. D.20 Testata pompa con valv. integr. D.22	1
47	36.6054.01	Frutto valvola con sede	278 1
OPTIONALS			
30	90.3841.00	OR D. 17.13x2.62 NBR SH. 70 3068	1
31	36.3182.51	Nipplo aspirazione G 3/4"	1
32	92.8925.00	Filtro D. 12x35	1
33	90.3828.00	OR D. 12.37x2.62 NBR SH. 70 3050	1
34	36.2569.51	Portag-omma aspirazione	1
35	92.9828.00	Ghiera G 3/4" - D. 15	1

KIT RICAMBI - SPARE KITS

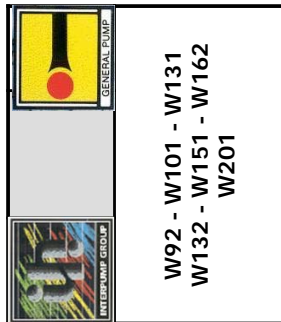
KIT NR.	KIT 278	KIT 279	KIT 280
Posizioni include Positions included	22 - 23 24 - 25 26 - 47	28 - 37 38 - 39 40 - 41 42 - 43 44	28 - 37 38 - 39 45
Nr. Pcs.	1	1÷2	1



* Fissare con Loctite 542 col. ROSSO
 * Affix with Loctite 542 col. RED
 * Fixer avec de la Loctite 542 couleur ROUGE
 * Mit Loctite 542 ROT befestigen
 * Fijar con Loctite 542 col. ROJO
 * Fixar com Loctite 542 cor. VERMELHA

- 42
- 43
- 56
- 46
- 47
- 44
- 45

DIS. COD. 47.9524.00



KIT RICAMBI – SPARE KITS

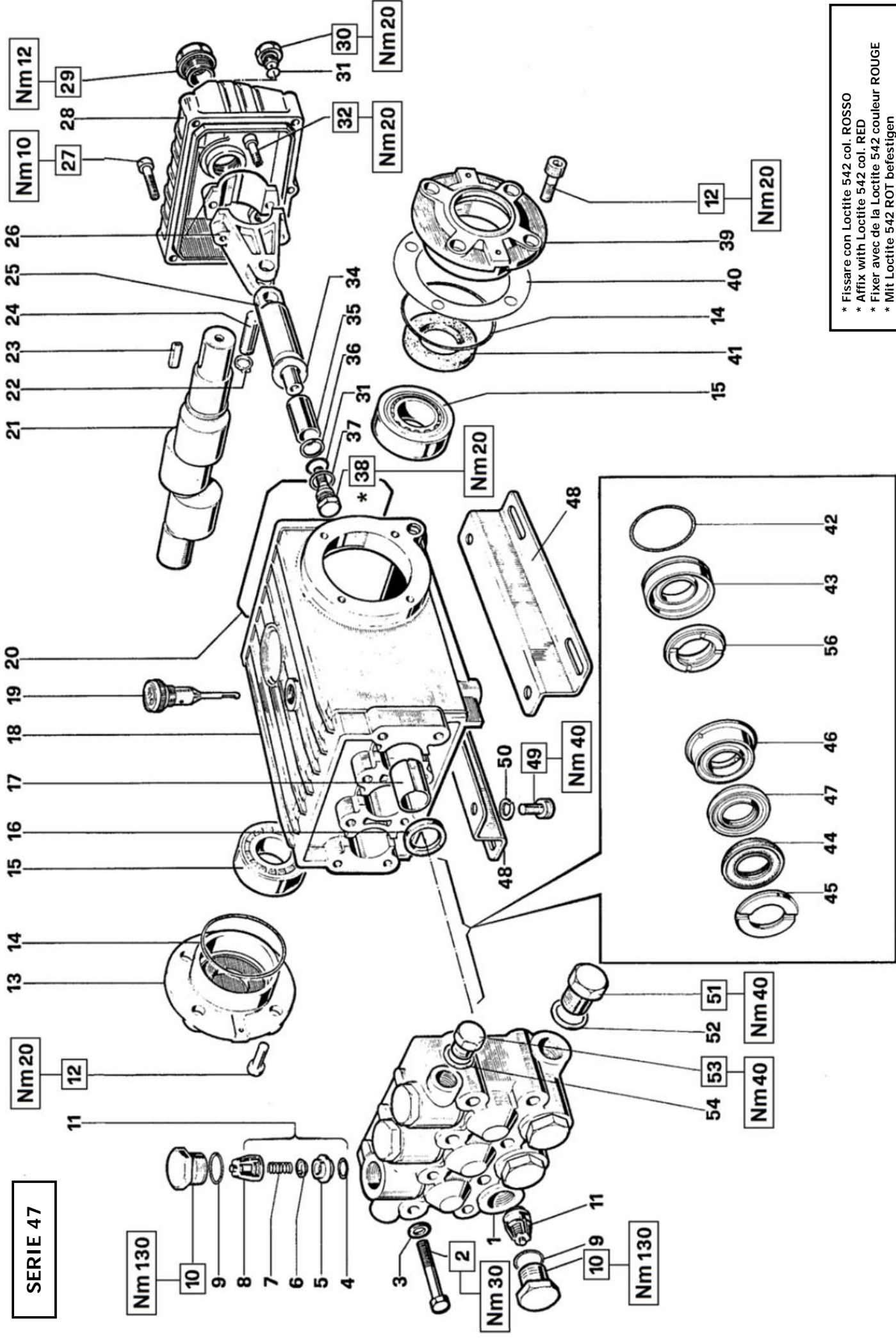
KIT Nr.	KIT 1	KIT 2	KIT 3	KIT 6	KIT 4	KIT 5	PISTONE - PISTON D. 20				PISTONE - PISTON D. 22				
							KIT 7	KIT 10	KIT 28	KIT 69	KIT 71	KIT 11	KIT 14	KIT 29	KIT 148
Posizioni incluse Positions included	4-5 6-7 8 (11)	16	41	31-34 36-37 38	9-10	9-10	45	42-43	44-47 56	46-47	45	42-43	44-45 46-47 56	44-47 56	46-47
Nr. Pcs.	6	3	2	3	6	6	6	3	1	3	6	3	1	3	3

PISTONE – PISTON D. 20		PISTONE – PISTON D. 22	
OTTONE BRASS	W101 - W131 - W151	W92 - W132	
NICKEL	W201	W162	

POS	COD.	DESCRIZIONE – DESCRIPTION - KIT	NR
1	47.1201.41 47.1202.41	Testata D. 20-22 Testata D. 20-22 – NICKEL	1
2	99.3206.00	Vite M8x70 UNI 5737	8
3	96.7020.00	Rosetta D. 8 UNI 1736	8
4	90.3841.00	OR D. 17.13x2.62 NBR SH. 70 3068	1 6
5	36.2003.66	Sede valvola	1 6
6	36.2001.76	Valvola	1 6
7	94.7376.00	Molla Dm. 9.4x14.8	1 6
8	36.2002.51	Guida valvola	1 6
9	90.3847.00	OR D. 20.24x2.62 NBR SH. 70 3081	6 4-5
10	98.2220.00 98.2222.00	Tappo M24x2x16.5 Tappo M24x2x16.5 – NICKEL	4 6 5
11	36.7032.01	Gr. Valvola aspiraz./mandata	1 6
12	99.3039.00	Vite M8x16 UNI 5931	8
14	90.3913.00	OR D. 67.95x2.62 NBR SH. 70 3325	2
15	91.8375.00	Cuscinetto a rulli	2
16	90.1625.00	Anello rad. D. 22.0x32.0x2.5	2 3
17	90.9126.00	Boccola D. 22x25x30	3
18	47.0100.22	Carter pompa	1

POS	COD.	DESCRIZIONE – DESCRIPTION - KIT	NR
19	98.2106.00	Tappo carico olio G 3/8"	1
20	90.3922.00	OR D. 133.02x2.62 NBR SH. 70 3525	1
21	47.0200.35 47.0201.35 47.0211.35	Albero ecc. C.16 - W92 W101 Albero ecc. C.16 - W132 W151 W162 W201 Albero ecc. C.16 - W131	1
22	90.0557.00	Anello d'arresto A12	6
23	91.4878.00	Linguetta 8x7x25 UNI 6604	1
24	97.7380.00	Spinotto D. 13x35	3
25	47.0503.56 47.0504.66 47.0505.54	Guida pistone - W162 W201 Guida pistone - W92 W101 Guida pistone - W132 W131 W151	3
26	47.0300.01	Biella completa	3
27	99.1837.00 99.1912.00	Vite M6x14 UNI 5931 - W92 W101 Vite M6x30 UNI 5931 - W132 W131 W151 W162 W201	5
28	47.1600.22 47.1601.22	Cop. carter - W92 W101 Cop. carter - W132 W131 W151 W162 W201	1
29	97.0568.00	Spia livello olio G 3/4"	1
30	98.2042.50	Tappo G 1/4"x9 TE17 – Zinc.	1
31	90.3585.00	OR D. 10.82x1.78 NBR SH. 70 2043	6 4
32	99.3099.00	Vite M8x35 UNI 5931	6
34	96.7286.00	Rosetta D. 14.0x28.0x0.5	6 3
35	47.0404.09 47.0405.09	Pistone D. 20 Pistone D. 22	3
36	90.5067.00	Anello antiest. D. 11.0x14.0x1.5	6 3
37	96.7280.00	Rosetta D. 14.0x18.5x0.5	6 3
38	47.2195.66	Vite fissaggio pistone	6 3

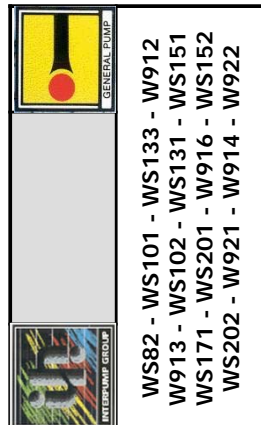
POS	COD.	DESCRIZIONE – DESCRIPTION - KIT	NR
39	47.1510.22	Coperchio cuscinetto	2
40	97.5678.00	Spessore	2
41	90.1648.00	Anello rad. D. 30.0x55.0x7.0	3 2
42	90.3616.00	OR D. 34.65x1.78 NBR SH. 70 2137	10-14-28-29 3
43	47.0805.70 47.0806.70	Anello di fondo D. 20 Anello di fondo D. 22	10-28 14-29 3
44	90.2705.00 90.2725.00	Anello tenuta D. 20 HP Anello tenuta D. 22 HP	28-69 29-148 3
45	47.1000.51 46.1000.51	Anello di testa D. 20 Anello di testa D. 22	7-28 11-29 3
46	47.2169.70 47.2170.70	Anello intermedio D. 20 Anello intermedio D. 22	28-71 29-149 3
47	90.2704.00 90.2730.00	Anello RESTOP D. 20 Anello RESTOP D. 22	28-69-71 29-148-149 3
48	47.2000.74	Piedino pompa	2
49	99.3644.00	Vite M10x18 UNI 5931	4
50	96.7106.00	Rosetta D. 10 DIN 7980	4
51	98.2176.00	Tappo G 1/2"x10	1
52	96.7514.00	Rosetta D. 21.5x27.0x1.5	1
53	98.2100.00	Tappo G 3/8"x13	1
54	96.7380.00	Rosetta D. 17.5x23.0x1.5	1
55	47.2124.51	Cappellotto PTO	1
56	90.2710.00 90.2728.00	Anello tenuta D. 20 LP Anello tenuta D. 22 LP	28-69 29-148 3



SERIE 47

DIS. COD. 47.9526.00

* Fissare con Loctite 542 col. ROSSO
 * Affix with Loctite 542 col. RED
 * Fixer avec de la Loctite 542 couleur ROUGE
 * Mit Loctite 542 ROT befestigen
 * Fijar con Loctite 542 col. ROJO
 * Fixar com Loctite 542 cor. VERMELHA



WS82 - WS101 - WS133 - W912
W913 - WS102 - WS131 - WS151
WS171 - WS201 - W916 - WS152
WS202 - W921 - W914 - W922

KIT RICAMBI – SPARE KITS

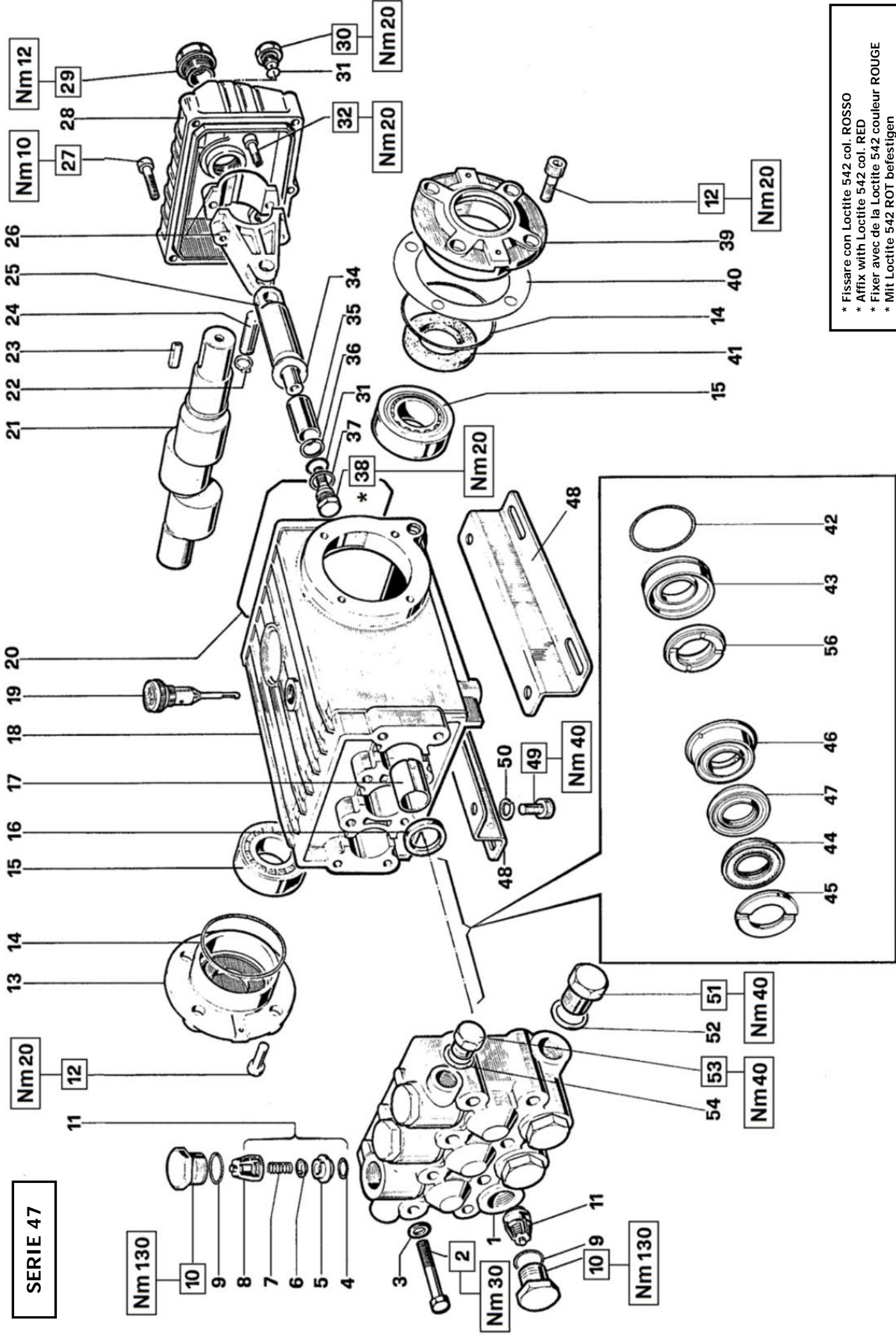
OTTONE BRASS		NICKEL									
KIT N°	KIT 1	KIT 2	KIT 3	KIT 4	KIT 5	KIT 6	KIT 7	KIT 10	KIT 28	KIT 69	KIT 71
Posizioni includi Positions included	4 - 5 6 - 7 8 (11)	16	41	9 - 10	9 - 10	31 - 34 36 - 37 38	45	42 - 43	42 - 43 44 - 45 46 - 47 56	44 - 47 56	46 - 47
Nr. Pcs.	6	3	2	6	6	3	6	3	1	3	3

OTTONE BRASS	WS82 - WS101 - WS133 W912 - W913 - WS102 WS131 - WS151 - WS171 W914
NICKEL	WS201 - W916 - WS152 WS202 - W921 - W922

POS	COD.	DESCRIZIONE – DESCRIPTION - KIT	NR
1	47.1201.41 47.1202.41	Testata D. 20 Testata D. 20 – NICKEL	1
2	99.3206.00	Vite M8x70 UNI 5737	8
3	96.7020.00	Rosetta D. 8 UNI 1736	8
4	90.3841.00	OR D. 17.13x2.62 NBR SH. 70 3068	1 6
5	36.2003.66	Sede valvola	1 6
6	36.2001.76	Valvola	1 6
7	94.7376.00	Molla Dm. 9.4x14.8	1 6
8	36.2002.51	Guida valvola	1 6
9	90.3847.00	OR D. 20.24x2.62 NBR SH. 70 3081	6 4-5
10	98.2220.00 98.2222.00	Tappo M24x2x16.5 Tappo M24x2x16.5 - NICKEL	4 6 5
11	36.7032.01	Gr. Valvola aspiraz./mandata	1 6
12	99.3039.00	Vite M8x16 UNI 5931	8
13	47.1511.22	Coperchio cuscinetto	1
14	90.3913.00	OR D. 67.95x2.62 NBR SH. 70 3325	2
15	91.8375.00 91.8377.00	Cuscinetto a rulli Cuscinetto a rulli - ws152 WS202 W921	2 3
16	90.1625.00	Anello rad. D. 22.0x32.0x2.5	2 3
17	90.9126.00	Boccola D. 22x25x30	3
18	47.0100.22 47.0102.22	Carter pompa Carter pompa - WS152 WS202 W921	1
19	98.2106.00	Tappo carico olio G 3/8"	1
20	90.3922.00	OR D. 133.02x2.62 NBR SH. 70 3525	1

POS	COD.	DESCRIZIONE – DESCRIPTION - KIT	NR
21	47.0204.35 47.0206.35 47.0210.35 47.0215.35 47.0217.35 47.0218.35 47.0219.35 47.0230.35	Albero ecc. C.16 - WS102 Albero ecc. C.12 - WS151 WS201 W916 Albero ecc. C.12 - WS131 Albero ecc. C.10 - WS171 Albero ecc. C.16 - WS82 WS152 WS202 Albero ecc. C.12 - WS101 W912 Albero ecc. C.10 - WS133 W913 W921 Albero ecc. C.13 - W914 W922	1
22	90.0557.00	Anello d'arresto A12	6
23	91.4890.00	Linguetta 8x7x35 UNI 6604	1
24	97.7380.00	Spinotto D. 13x35	3
25	47.0503.56 47.0504.66 47.0505.54	Guida pistone - WS201 W916 WS152 W922 WS202 W921 Guida pistone - WS82 WS101 WS133 W912 W913 Guida pistone - WS102 WS131 WS151 WS171 W914	3
26	47.0300.01	Biella completa	3
27	99.1837.00 99.1912.00	Vite M6x14 UNI 5931 - WS82 WS101 WS133 W912W913 Vite M6x30 UNI 5931 - WS102 WS131 WS151 WS171 WS201 W916 WS152 WS202 W921 W914 W922	5
28	47.1600.22 47.1601.22	Coperchio carter - WS82 WS101 WS133 W912 W913 Coperchio carter - WS102 WS131 WS151 WS171 WS201 W916 WS152 WS202 W921 W914 W922	1
29	97.5968.00	Spia livello olio G 3/4"	1
30	98.2042.50	Tappo G 1/4"x9 TE - Zinc.	1
31	90.3585.00	OR D. 10.82x1.78 NBR SH. 70 2043	6 4
32	99.3099.00	Vite M8x35 UNI 5931	6

POS	COD.	DESCRIZIONE – DESCRIPTION - KIT	NR
34	96.7286.00	Rosetta D. 14.0x28.0x0.5	3
35	47.0404.09	Pistone D. 20	3
36	90.5067.00	Anello antiest. D. 11.0x14.0x1.5	6 3
37	96.7280.00	Rosetta D. 14.0x18.5x0.5	6 3
38	47.2195.66	Vite fissaggio pistone	6 3
39	47.1510.22	Coperchio cuscinetto	1
40	97.5678.00	Spessore	2
41	90.1648.00	Anello rad. D. 30.0x55.0x7.0	3 1
42	90.3616.00	OR D. 34.65x1.78 NBR SH. 70 2137 10-28	3
43	47.0805.70	Anello di fondo D. 20	10-28 3
44	90.2705.00	Anello tenuta D. 20 HP	28-69 3
45	47.1000.51	Anello di testa D. 20	7-28 3
46	47.2169.70	Anello intermedio D. 20	28-71 3
47	90.2704.00	Anello RESTOP D. 20	28-69-71 3
48	47.2000.74	Piedino pompa	2
49	99.3644.00	Vite M10x18 UNI 5931	4
50	96.7106.00	Rosetta D. 10 DIN 7980	4
51	98.2176.00	Tappo G 1/2"x10	1
52	96.7514.00	Rosetta D. 21.5x27.0x1.5	1
53	98.2100.00	Tappo G 3/8"x13	1
54	96.7380.00	Rosetta D. 17.5x23.0x1.5	1
56	90.2710.00	Anello tenuta D. 20 LP	28-69 3



SERIE 47

Nm 130

Nm 20

Nm 12

Nm 10

Nm 20

Nm 20

Nm 30

Nm 130

Nm 40

Nm 40

Nm 40

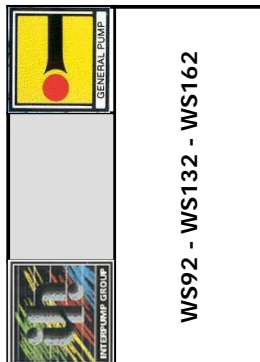
Nm 20

Nm 20

Nm 40

* Fissare con Loctite 542 col. ROSSO
 * Affix with Loctite 542 col. RED
 * Fixer avec de la Loctite 542 couleur ROUGE
 * Mit Loctite 542 ROT befestigen
 * Fijar con Loctite 542 col. ROJO
 * Fixar com Loctite 542 cor. VERMELHA

DIS. COD. 47.9526.00



WS92 - WS132 - WS162

OTTONNE
BRASS

WS92 - WS132

NICKEL

WS162

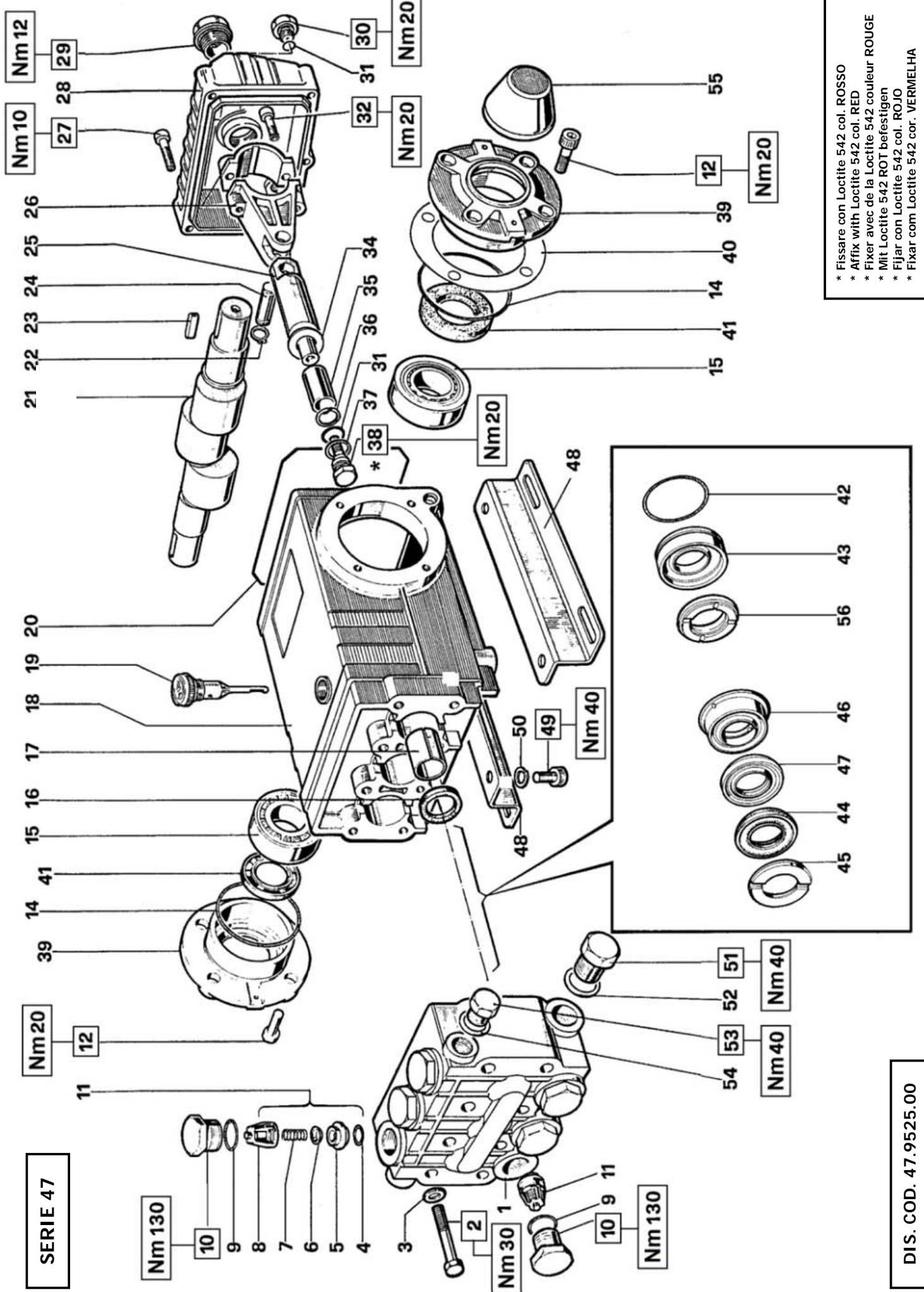
KIT RICAMBI – SPARE KITS

KIT Nr.	KIT 1	KIT 2	KIT 3	KIT 4	OTTONNE BRASS		NICKEL	
					KIT 6	KIT 4	KIT 5	KIT 149
Posizioni include Positions included	4 - 5 6 - 7 8 (11)	16	41	31 - 34 36 - 37 38	9 - 10	42 - 43 44 - 45 46 - 47 56	44 - 47 56	46 - 47
Nr. Pcs.	6	3	2	3	6	6	3	3

POS	COD.	DESCRIZIONE – DESCRIPTION - KIT	NR
1	47.1201.41 47.1202.41	Testata D. 22 Testata D. 22 – NICKEL	1
2	99.3206.00	Vite M8x70 UNI 5737	8
3	96.7020.00	Rosetta D. 8 UNI 1736	8
4	90.3841.00	OR Ø 17.13x2.62 (3068)	1
5	36.2003.66	Sede valvola	1
6	36.2001.76	Valvola	1
7	94.7376.00	Molla Dm. 9.4x14.8	1
8	36.2002.51	Guida valvola	1
9	90.3847.00	OR D. 20.24x2.62 NBR SH. 70 3081 4-5	6
10	98.2220.00 98.2222.00	Tappo M24x2x16.5 Tappo M24x2x16.5 - NICKEL	4 5
11	36.7032.01	Gr. Valvola aspiraz./mandata	1
12	99.3039.00	Vite M8x16 UNI 5931	8
13	47.1511.22	Coperchio cuscinetto	1
14	90.3913.00	OR D. 67.95x2.62 NBR SH. 70 3325	2
15	91.8375.00	Cuscinetto a rulli	2
16	90.1625.00	Anello rad. D. 22.0x32.0x2.5	2
17	90.9126.00	Boccola D. 22x25x30	3
18	47.0100.22	Carter pompa	1
19	98.2106.00	Tappo carico olio G 3/8"	1
20	90.3922.00	OR D. 133.02x2.62 NBR SH. 70 3525	1

POS	COD.	DESCRIZIONE – DESCRIPTION - KIT	NR
21	47.0206.35 47.0218.35	Albero ecc. C.12 - WS132 WS162 Albero ecc. C.12 - WS92	1
22	90.0557.00	Anello d'arresto A12	6
23	91.4890.00	Linguetta 8x7x35 UNI 6604	1
24	97.7380.00	Spinotto D. 13x35	3
25	47.0503.56 47.0504.66 47.0505.54	Guida pistone - WS162 Guida pistone - WS92 Guida pistone - WS132	3
26	47.0300.01	Biella completa	3
27	99.1837.00 99.1912.00	Vite M6x14 UNI 5931 - WS92 Vite M6x30 UNI 5931 - WS132 WS162	5
28	47.1600.22 47.1601.22	Coperchio carter - WS92 Coperchio carter - WS132 WS162	1
29	97.5968.00	Spia livello olio G 3/4"	1
30	98.2042.50	Tappo G 1/4"x9 TE17 – Z'inc.	1
31	90.3585.00	OR D. 10.82x1.78 NBR SH. 70 2043	6
32	99.3099.00	Vite M8x35 UNI 5931	6
34	96.7286.00	Rosetta D. 14.0x28.0x0.5	6
35	47.0405.09	Pistone D. 22	3
36	90.5067.00	Anello antiest. D. 11.0x14.0x1.5	6
37	96.7280.00	Rosetta D. 14.0x18.5x0.5	6
38	47.2195.66	Vite fissaggio pistone	6
39	47.1510.22	Coperchio cuscinetto	1
40	97.5678.00	Spessore	2
41	90.1648.00	Anello rad. D. 30.0x55.0x7.0	3

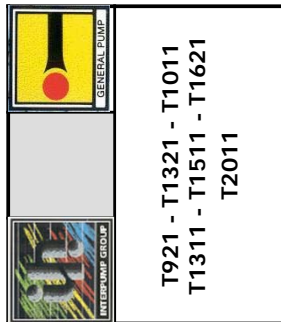
POS	COD.	DESCRIZIONE – DESCRIPTION - KIT	NR
42	90.3616.00	OR D. 34.65x1.78 NBR SH. 70 2137 14-29	3
43	47.0806.70	Anello di fondo D. 22	14-29
44	90.2725.00	Anello tenuta D. 22 HP	29-148
45	46.1000.51	Anello di testa D. 22	11-29
46	47.2170.70	Anello intermedio D. 22	29-149
47	90.2730.00	Anello RESTOP D. 2	29-148-149
48	47.2000.74	Piedino pompa	2
49	99.3644.00	Vite M10x18 UNI 5931	4
50	96.7106.00	Rosetta D. 10 DIN 7980	4
51	98.2176.00	Tappo G 1/2"x10	1
52	96.7514.00	Rosetta D. 21.5x27.0x1.5	1
53	98.2100.00	Tappo G 3/8"x13	1
54	96.7380.00	Rosetta D. 17.5x23.0x1.5	1
56	90.2728.00	Anello tenuta D. 22 LP	29-148



SERIE 47

* Fissare con Loctite 542 col. ROSSO
 * Affix with Loctite 542 col. RED
 * Fixer avec de la Loctite 542 couleur ROUGE
 * Mit Loctite 542 ROT befestigen
 * Fijar con Loctite 542 col. ROJO
 * Fixar con Loctite 542 cor. VERMELHA

DIS. COD. 47.9525.00



KIT RICAMBI – SPARE KITS

OTTONE BRASS

NICKEL

PISTONE- PISTON D. 20

PISTONE- PISTON D. 22

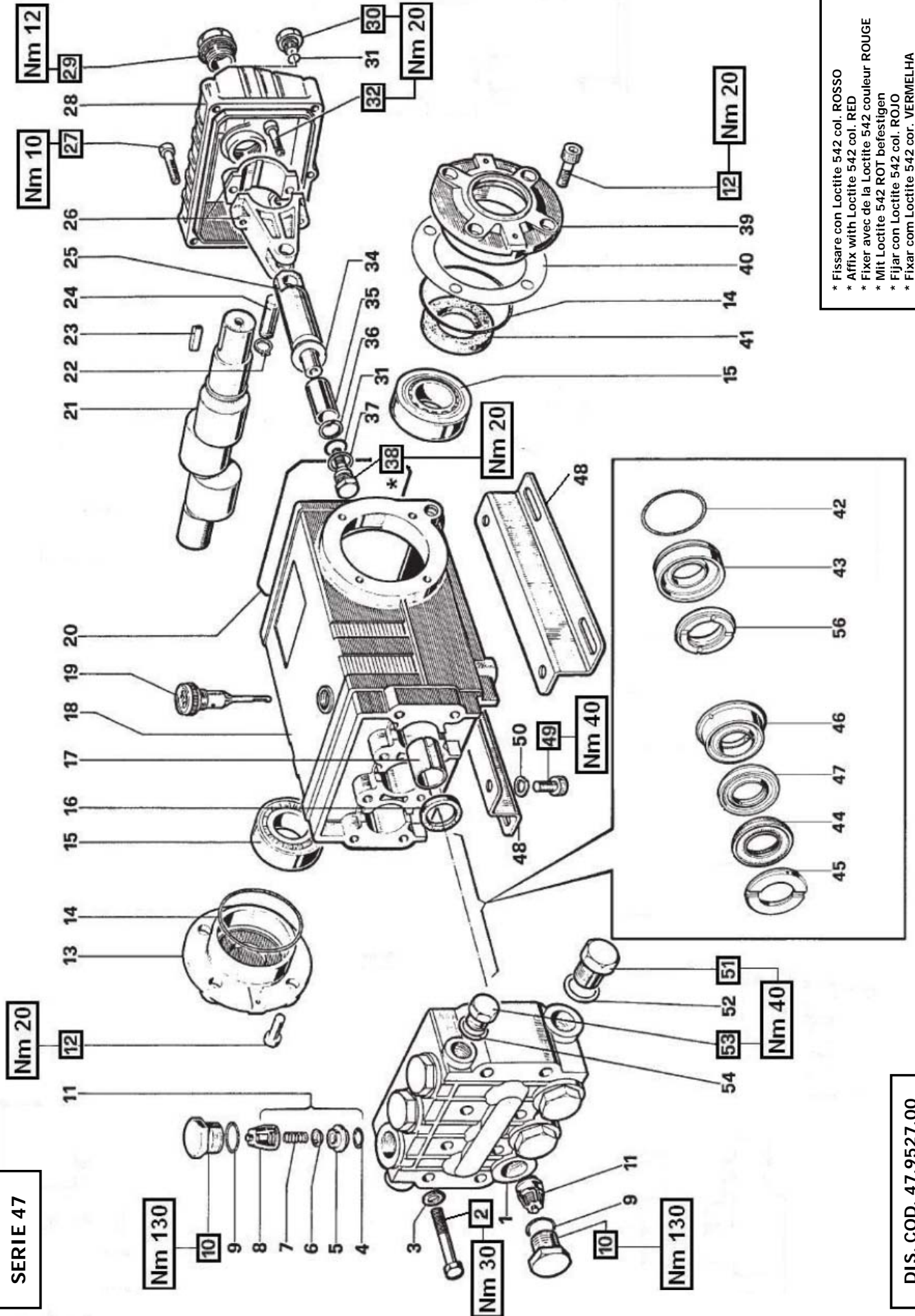
KIT Nr.	KIT 1	KIT 2	KIT 3	KIT 4	KIT 5	KIT 6	KIT 7	KIT 10	KIT 28	KIT 69	KIT 71	KIT 11	KIT 14	KIT 29	KIT 148	KIT 149
Posizioni include Positions included	4 - 5 6 - 7 8 (11)	16	41	9 - 10	9 - 10	31 - 34 36 - 37 38	45	42 - 43	42 - 43 44 - 45 46 - 47 56	44 - 47 56	46 - 47	45	42 - 43 44 - 45 46 - 47 56	42 - 43 44 - 45 46 - 47 56	44 - 47 56	46 - 47
Nr. Pcs.	6	3	2	6	6	3	6	3	1	3	3	6	3	1	3	3

POS	COD.	DESCRIZIONE – DESCRIPTION - KIT	NR
20	90.3922.00	OR D. 133.02x2.62 NBR SH. 70 3525	1
21	47.0200.35 47.0201.35	Albero ecc. C.16 - T921 T1011 T2011 Albero ecc. C.16 - T1321 T1511 T1621 T2011	1
22	90.0557.00	Anello d'arresto A12	6
23	91.4878.00 91.4890.00	Linguetta 8x7x25 UNI 6604 Linguetta 8x7x35 UNI 6604 – USA	1
24	97.7380.00	Spinotto D. 13x35	3
25	47.0503.56 47.0504.66 47.0505.54	Guida pistone - T1621 T2011 Guida pistone - T921 T1011 T1311 T1511 Guida pistone - T1321	3
26	47.0300.01	Biella completa	3
27	99.1837.00 99.1912.00	Vite M6x14 UNI 5931 - T921 T1011 Vite M6x30 UNI 5931 - T1321 T1311 T1511 T1621 T2011	5
28	47.1600.22 47.1601.22	Coperchio carter - T921 T1011 Coperchio carter - T1321 T1311 T1511 T1621 T2011	1
29	97.5968.00	Spia livello olio G 3/4"	1
30	98.2042.50	Tappo G 1/4"x9 TE17 – Zinc.	1
31	90.3585.00	OR D. 10.82x1.78 NBR SH. 70 2043	6
32	99.3099.00	Vite M8x35 UNI 5931	6
34	96.7286.00	Rosetta D. 14.0x28.0x0.5	6
35	47.0404.09 47.0405.09	Pistone D. 20 Pistone D. 22	3
36	90.5067.00	Anello antiest. D. 11.0x14.0x1.5	6
37	96.7280.00	Rosetta D. 14.0x18.5x0.5	6

POS	COD.	DESCRIZIONE – DESCRIPTION - KIT	NR
1	47.1208.41 47.1209.41	Testata D. 20-22 Testata D. 20-22 - NICKEL	1
2	99.3206.00	Vite M8x70 UNI 5737	8
3	96.7020.00	Rosetta D. 8 UNI 1736	8
4	90.3841.00	OR D. 17.13x2.62 NBR SH. 70 3068	1
5	36.2003.66	Sede valvola	1
6	36.2001.76	Valvola	1
7	94.7376.00	Molla D. 9.4x14.8	1
8	36.2002.51	Guida valvola	1
9	90.3847.00	OR D. 20.24x2.62 NBR SH. 70 3081	6
10	98.2220.00 98.2222.00	Tappo M24x2x16.5 - Tappo M24x2x16.5 - NICKEL	4 5
11	36.7032.01	Gr. Valvola aspiraz./mandata	1
12	99.3039.00	Vite M8x16 UNI 5931	8
14	90.3913.00	OR D. 67.95x2.62 NBR SH. 70 3325	2
15	91.8375.00	Cuscinetto a rulli	2
16	90.1625.00	Anello rad. D. 22.0x32.0x2.5	2
17	90.9126.00	Boccola Ø 22x25x30	3
18	47.0104.22	Carter pompa	1
19	98.2106.00	Tappo carico olio G 3/8"	1


POS	COD.	DESCRIZIONE – DESCRIPTION - KIT	NR
38	47.2195.66	Vite fissaggio pistone	6
39	47.1510.22	Coperchio cuscinetto	2
40	97.5678.00	Spessore	2
41	90.1648.00	Anello rad. D. 30.0x55.0x7.0	3
42	90.3616.00	OR D. 34.65x1.78 NBR SH. 70 2137	10-14-28-29
43	47.0805.70 47.0806.70	Anello di fondo D. 20 Anello di fondo D. 22	10-28 14-29
44	90.2705.00 90.2725.00	Anello tenuta D. 20 HP Anello tenuta D. 22 HP	28-69 29-148
45	47.1000.51 46.1000.51	Anello di testa D. 20 Anello di testa D. 22	7-28 11-29
46	47.2169.70 47.2170.70	Anello intermedio D. 20 Anello intermedio D. 22	28-71 29-149
47	90.2704.00 90.2730.00	Anello RESTOP D. 20 Anello RESTOP D. 22	28-69-71 29-148-149
48	47.2000.74	Piedino pompa	2
49	99.3644.00	Vite M10x18 UNI 5931	4
50	96.7106.00	Rosetta D. 10 DIN 7980	4
51	98.2176.00	Tappo G 1/2"x10	1
52	96.7514.00	Rosetta D. 21.5x27.0x1.5	1
53	98.2100.00	Tappo G 3/8"x13	1
54	96.7380.00	Rosetta D. 17.5x23.0x1.5	1
55	47.2124.51	Cappello p.d.f.	1
56	90.2710.00 90.2728.00	Anello tenuta D. 20 LP Anello tenuta D. 22 LP	28-69 29-148

SERIE 47



* Fissare con Loctite 542 col. ROSSO
 * Affix with Loctite 542 col. RED
 * Fixer avec de la Loctite 542 couleur ROUGE
 * Mit Loctite 542 ROT befestigen
 * Fijar con Loctite 542 col. ROJO
 * Fixar com Loctite 542 cor. VERMELHA

DIS. COD. 47.9527.00



TS821 - TS1011 - TS1331 - T9121
T9131 - TS1021 - TS1311
TS1511 - TS1711 - TS2011
T9161 - TS1521 - TS2021 - T9211



TS821 - TS1011 - TS1331
T9121 - T9131 - TS1021
TS1311 - TS1511 - TS1711

TS2011 - T9161 - TS1521
TS2021 - T9211

KIT RICAMBI – SPARE KITS

**OTTONE
BRASS**

NICKEL

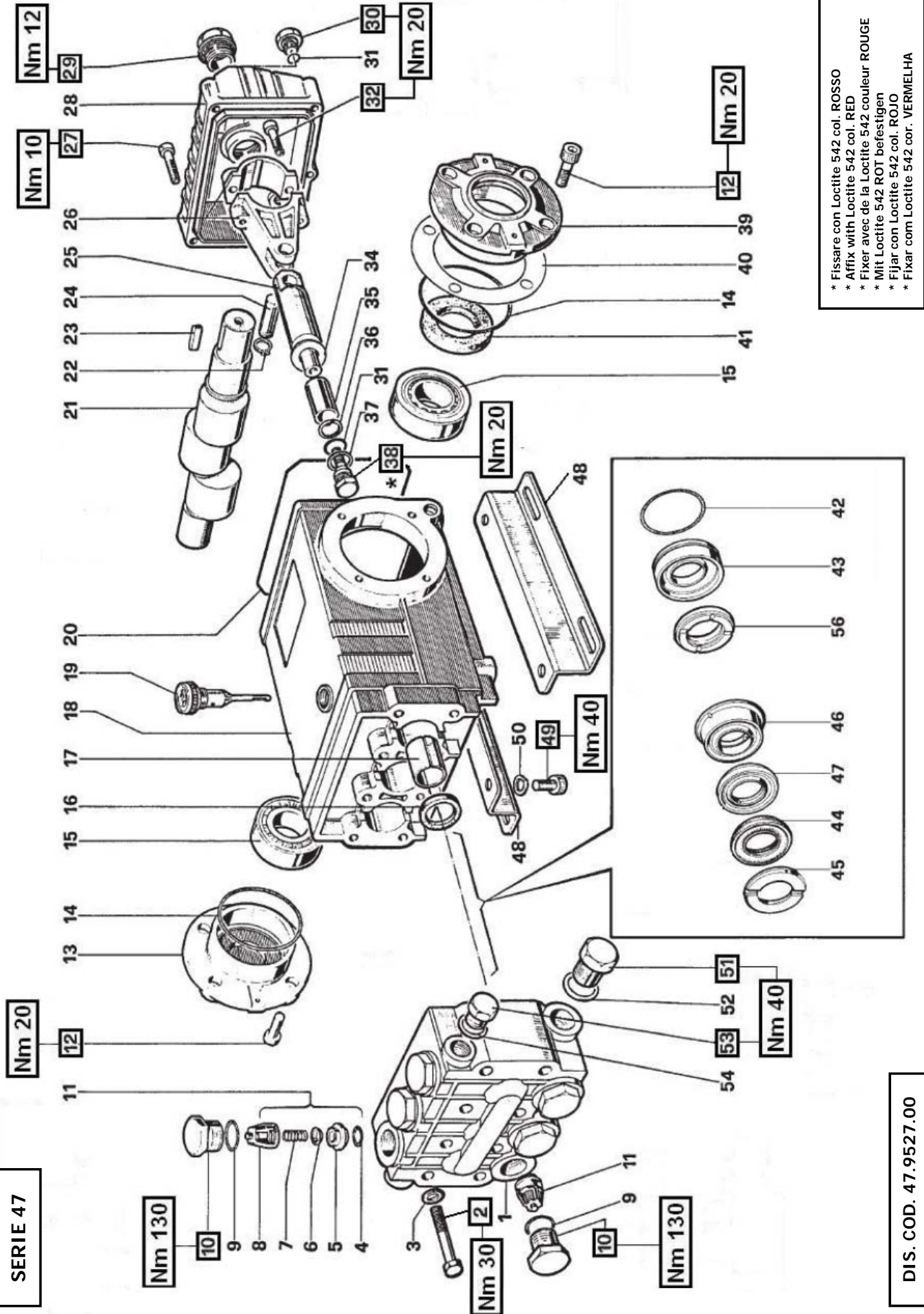
KIT Nr.	KIT 1	KIT 2	KIT 3	KIT 4	KIT 5	KIT 6	KIT 7	KIT 10	KIT 28	KIT 69	KIT 71
Posizioni include Positions included	4-5 6-7 8 (11)	16	41	9-10	9-10	31-34 36-37 38	45	42-43	42-43 44-45 46-47 56	44-47 56	46-47
Nr. Pcs.	6	3	2	6	6	3	6	3	1	3	3

POS	COD.	DESCRIZIONE – DESCRIPTION - KIT	NR
20	90.3922.00	OR D. 133.02x2.62 NBR SH. 70 3525	1
21	47.0204.35 47.0206.35 47.0210.35 47.0215.35 47.0217.35 47.0218.35 47.0219.35	Albero ecc. C.16 - TS1021 Albero ecc. C.12 - TS1511 T9161 TS2011 Albero ecc. C.12 - TS1311 Albero ecc. C.10 - TS1711 Albero ecc. C.16 - TS821 TS1521 TS2021 Albero ecc. C.12 - TS1011 T9121 Albero ecc. C.10 - TS1331 T9131 T9211	1
22	90.0557.00	Anello d'arresto A12	6
23	91.4878.00 91.4890.00	Linguetta 8x7x25 UNI 6604 Linguetta 8x7x35 UNI 6604 - TS1521 TS2021 T9211	1
24	97.7380.00	Spinotto D. 13x35	3
25	47.0503.56 47.0504.66 47.0505.54	Guida pist. – TS2011 T9161 TS1521 TS2021 T9211 Guida pist. - TS821 TS1011 TS1331 T9121 T9131 Guida pist. - TS1021 TS1311 TS1511 TS1711	3
26	47.0300.01	Biella completa	3
27	99.1837.00 99.1912.00	Vite M6x14 UNI 5931 - TS821 TS1011 TS1331 T9121 T9131 Vite M6x30 UNI 5931 – TS1021-TS1311 TS1511 TS1711 TS2011 T9161 TS1521 TS2021 T9211	5
28	47.1600.22 47.1601.22	Coperchio carter - TS821 TS1011 TS1331 T9121 T9131 Coperchio carter - TS1021 TS1311 TS1511 TS1711 TS2011 T9161 TS1521 TS2021 T9211	1
29	97.5968.00	Spia livello olio G 3/4"	1
30	98.2042.50	Tappo G 1/4"x9 TE17 – ZInc.	1
31	90.3585.00	OR D. 10.82x1.78 NBR SH. 70 2043	6
32	99.3099.00	Vite M8x35 UNI 5931	6

POS	COD.	DESCRIZIONE – DESCRIPTION - KIT	NR
1	47.1208.41 47.1209.41	Testata D. 20 Testata D. 20 – NICKEL	1
2	99.3206.00	Vite M8x70 UNI 5737	8
3	96.7020.00	Rosetta D. 8 UNI 1736	8
4	90.3841.00	OR D. 17.13x2.62 NBR SH. 70 3068	1
5	36.2003.66	Sede valvola	1
6	36.2001.76	Valvola	1
7	94.7376.00	Molla Dm. 9.4x14.8	1
8	36.2002.51	Guida valvola	1
9	90.3847.00	OR D. 20.24x2.62 NBR SH. 70 3081	6
10	98.2220.00 98.2222.00	Tappo M24x2x16.5 Tappo M24x2x16.5 - NICKEL	4 5
11	36.7032.01	Gr. Valvola aspiraz./mandata	1
12	99.3039.00	Vite M8x16 UNI 5931	8
13	47.1511.22	Coperchio cuscinetto	1
14	90.3913.00	OR D. 67.95x2.62 NBR SH. 70 3325	2
15	91.8375.00 91.8377.00	Cuscinetto a rulli Cuscinetto a rulli – TS1521 TS2021 T9211	2
16	90.1625.00	Anello rad. D. 22.0x32.0x2.5	2
17	90.9126.00	Boccola D. 22x25x30	3
18	47.0104.22 47.0105.22	Carter pompa Carter pompa - TS1521 TS2021 T9211	1
19	98.2106.00	Tappo carico olio G 3/8"	1

POS	COD.	DESCRIZIONE – DESCRIPTION - KIT	NR
34	96.7286.00	Rosetta D. 14.0x28.0x0.5	6
35	47.0404.09	Pistone D. 20	3
36	90.5067.00	Anello antiest. D. 11.0x14.0x1.5	6
37	96.7280.00	Rosetta D. 14.0x18.5x0.5	6
38	47.2195.66	Vite fissaggio pistone	6
39	47.1510.22	Coperchio cuscinetto	1
40	97.5678.00	Spessore	2
41	90.1648.00	Anello rad. D. 30.0x55.0x7.0	3
42	90.3616.00	OR D. 34.65x1.78 NBR SH. 70 2137 10-14-28-29	3
43	47.0805.70	Anello di fondo D. 20	10-28
44	90.2705.00	Anello tenuta D. 20 HP	28-69
45	47.1000.51	Anello di testa D. 20	7-2
46	47.2169.70	Anello intermedio D. 20	28-71
47	90.2704.00	Anello RESTOP D. 20	28-69-71
48	47.2000.74	Piedino pompa	2
49	99.3644.00	Vite M10x18 UNI 5931	4
50	96.7106.00	Rosetta d. 10 DIN 7980	4
51	98.2176.00	Tappo G 1/2"x10	1
52	96.7514.00	Rosetta d. 21.5x27.0x1.5	1
53	98.2100.00	Tappo G 3/8"x13	1
54	96.7380.00	Rosetta D. 17.5x23.0x1.5	1
56	90.2710.00	Anello tenuta D. 20 LP	28-69

SERIE 47



* Fissare con Loctite 542 col. ROSSO
 * Affix with Loctite 542 col. RED
 * Fixer avec de la Loctite 542 couleur ROUGE
 * Mit Loctite 542 ROT befestigen
 * Fijar con Loctite 542 col. ROJO
 * Fixar com Loctite 542 cor. VERMELHA

DIS. COD. 47.9527.00



TS921 - TS1321 - TS1621

OTTONE BRASS	TS921 - TS1321
NICKEL	TS1621

KIT RICAMBI – SPARE KITS

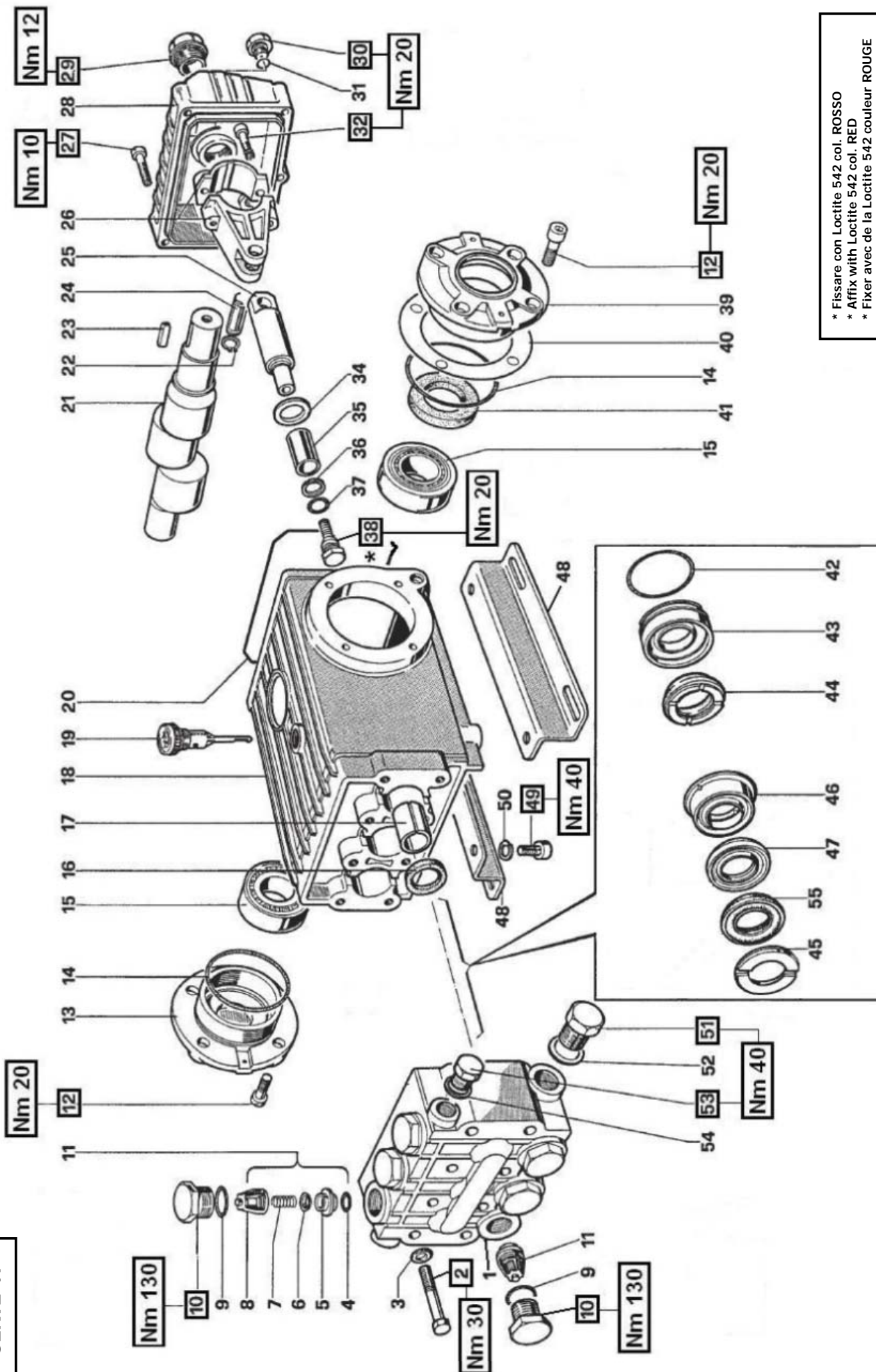
KIT Nr.	KIT 1	KIT 2	KIT 3	KIT 6	KIT 4	OTTONE BRASS			NICKEL		
						KIT 5	KIT 11	KIT 14	KIT 29	KIT 148	KIT 149
Posizioni incluse Positions included	4-5 6-7 8 (11)	16	41	31-34 36-37 38	9-10			42-43 44-45 46-47 56			
Nr. Pcs.	6	3	2	3	6	6	6	3	1	3	3

POS	COD.	DESCRIZIONE – DESCRIPTION - KIT	NR
1	47.1208.41 47.1209.41	Testata D. 22 Testata D. 22 - NICKEL	1
2	99.3206.00	Vite M8x70 UNI 5737	8
3	96.7020.00	Rosetta D. 8 UNI 1736	8
4	90.3841.00	OR D. 17.13x2.62 NBR SH. 70 3068	1 6
5	36.2003.66	Sede valvola	1 6
6	36.2001.76	Valvola	1 6
7	94.7376.00	Molla Dm. 9.4x14.8	1 6
8	36.2002.51	Guida valvola	1 6
9	90.3847.00	OR D. 20.24x2.62 NBR SH. 70 3081	6 4-5
10	98.2220.00 98.2222.00	Tappo M24x2x16.5 Tappo M24x2x16.5 - NICKEL	4 5 6
11	36.7032.01	Gr. Valvola aspiraz./mandata	1 6
12	99.3039.00	Vite M8x16 UNI 5931	8
13	47.1511.22	Coperchio cuscinetto	1
14	90.3913.00	OR D. 67.95x2.62 NBR SH. 70 3325	2
15	91.8375.00	Cuscinetto 32206	2
16	90.1625.00	Anello rad. D. 22.0x32.0x2.5	2 3
17	90.9126.00	Boccola D. 22x25x30	3
18	47.0104.22	Carter pompa	1
19	98.2106.00	Tappo carico olio G 3/8"	1
20	90.3922.00	OR D. 133.02x2.62 NBR SH. 70 3525	1

POS	COD.	DESCRIZIONE – DESCRIPTION - KIT	NR
21	47.0206.35 47.0218.35	Albero ecc. C.12 - TS1321 TS1621 Albero ecc. C.12 - TS921	1
22	90.0557.00	Anello d'arresto A12	6
23	91.4878.00 91.4890.00	Linguetta 8x7x25 UNI 6604 Linguetta 8x7x35 UNI 6604 - USA	1
24	97.7380.00	Spinnotto D. 13x35	3
25	47.0503.56 47.0504.66 47.0505.54	Guida pistone - TS1621 Guida pistone - TS921 Guida pistone - TS1321	3
26	47.0300.01	Biella completa	3
27	99.1837.00 99.1912.00	Vite M6x14 UNI 5931 - TS921 Vite M6x30 UNI 5931 - TS1321 TS1621	5
28	47.1600.22 47.1601.22	Coperchio carter - TS921 Coperchio carter - TS1321 TS1621	1
29	97.5968.00	Spia livello olio G 3/4"	1
30	98.2042.50	Tappo G 1/4"x9 TE17 - Zinc.	1
31	90.3585.00	OR D. 10.82x1.78 NBR SH. 70 2043	6 4
32	99.3099.00	Vite M8x35 UNI 5931	6
34	96.7286.00	Rosetta D. 14.0x28.0x0.5	6 3
35	47.0405.09	Pistone D. 22	3
36	90.5067.00	Anello antiest. D. 11.0x14.0x1.5	6 3
37	96.7280.00	Rosetta D. 14.0x18.5x0.5	6 3
38	47.2195.66	Vite fissaggio pistone	6 3
39	47.1510.22	Coperchio cuscinetto	1
40	97.5678.00	Spessore	2
41	90.1648.00	Anello rad. D. 30.0x55.0x7.0	3 1

POS	COD.	DESCRIZIONE – DESCRIPTION - KIT	NR
42	90.3616.00	OR D. 34.65x1.78 NBR SH. 70 2137	3
43	47.0806.70	Anello di fondo D. 22	14-29 3
44	90.2725.00	Anello tenuta D. 22 HP	29-148 3
45	46.1000.51	Anello di testa D. 22	11-29 3
46	47.2170.70	Anello intermedio D. 22	29-149 3
47	90.2730.00	Anello RESTOP D. 22	29-148-149 3
48	47.2000.74	Piedino pompa	2
49	99.3644.00	Vite M10x18 UNI 5931	4
50	96.7106.00	Rosetta D. 10 DIN 7980	4
51	98.2176.00	Tappo G 1/2"x10	1
52	96.7514.00	Rosetta D. 21.5x27.0x1.5	1
53	98.2100.00	Tappo G 3/8"x13	1
54	96.7380.00	Rosetta D. 17.5x23.0x1.5	1
56	90.2728.00	Anello tenuta D. 22 LP	29-148 3

SERIE 47



* Fissare con Loctite 542 col. ROSSO
* Affix with Loctite 542 col. RED
* Fixer avec de la Loctite 542 couleur ROUGE
* Mit Loctite 542 ROT befestigen
* Fijar con Loctite 542 col. ROJO
* Fixar com Loctite 542 cor. VERMELHA

DTŠ. COD. 47.9528.00


KIT RICAMBI – SPARE KITS

KIT Nr.	KIT 1	KIT 2	KIT 3	KIT 106	KIT 107	KIT 108	KIT 109	KIT 110	KIT 111	KIT 112
Posizioni include Positions included	4 - 5 6 - 7 8 (11)	16	41	9 - 10	36 - 37 38	45	44 - 47 55	46	42 - 43	42 - 43 44 - 45 46 - 47 55
Nr. Pcs.	6	3	2	6	3	6	3	3	3	1


POS	COD.	DESCRIZIONE – DESCRIPTION - KIT	NR
23	91.4890.00	Linguetta 8x7x35 UNI 6604	1
24	97.7380.00	Spinotto D. 13x35	3
25	47.0506.66	Guida pistone	3
26	47.0300.01	Biella completa	3
27	99.1912.00	Vite M6x30 UNI 5931	5
28	47.1601.22	Coperchio carter	1
29	97.5968.00	Spia livello olio G 3/4"	1
30	98.2042.50	Tappo G 1/4"x9 TE17 – Zinc.	1
31	90.3585.00	OR D. 10.82x1.78 NBR SH. 70 2043	1
32	99.3099.00	Vite M8x35 UNI 5931	6
34	47.2117.47	Anello di protezione	3
35	47.0408.56	Pistone D. 16	3
36	90.5033.00	Anello antiest. D. 8.0x11.0x1.5	107
37	90.3577.00	OR D. 7.66x1.78 NBR SH. 70 2031	107
38	47.2196.66	Vite fissaggio pistone	107
39	47.1510.22	Coperchio cuscinetto	1
40	97.5678.00	Spessore	2
41	90.1648.00	Anello rad. D. 30.0x55.0x7.0	3
42	90.3616.00	OR D. 34.65x1.78 NBR SH. 70 2137 111-112	3
43	47.0808.70	Anello di fondo D. 16	111-112
44	90.2644.00	Anello tenuta D. 16 LP	109-112
45	47.1003.51	Anello di testa D. 16	108-112

POS	COD.	DESCRIZIONE – DESCRIPTION - KIT	NR
1	47.1214.41	Testata D. 16 - NICKEL	1
2	99.3206.00	Vite M8x70 UNI 5737	8
3	96.7020.00	Rosetta D. 8 UNI 1736	8
4	90.3841.00	OR D. 17.13x2.62 NBR SH. 70 3068 1	6
5	36.2003.66	Sede valvola	1
6	36.2001.76	Valvola	1
7	94.7376.00	Molla Dm. 9.4x14.8	1
8	36.2002.51	Guida valvola	1
9	90.3847.00	OR D. 20.24x2.62 NBR SH. 70 3081 106	6
10	98.2224.00	Tappo M24x1.5x17.5 HP	106
11	36.7032.01	Gr. Valvola aspiraz./mandata	1
12	99.3039.00	Vite M8x16 UNI 5931	8
13	47.1511.22	Coperchio cuscinetto	1
14	90.3913.00	OR D. 67.95x2.62 NBR SH. 70 3325	2
15	91.8377.00	Cuscinetto a rulli	2
16	90.1625.00	Anello rad. D. 22.0x32.0x2.5	2
17	90.9126.00	Boccola D. 22x25x30	3
18	47.0102.22	Carter pompa	1
19	98.2106.00	Tappo carico olio G 3/8"	1
20	90.3922.00	OR D. 133.02x2.62 NBR SH. 70 3525	1
21	47.0217.35	Albero ecc. C.16	1
22	90.0557.00	Anello d'arresto A12	6

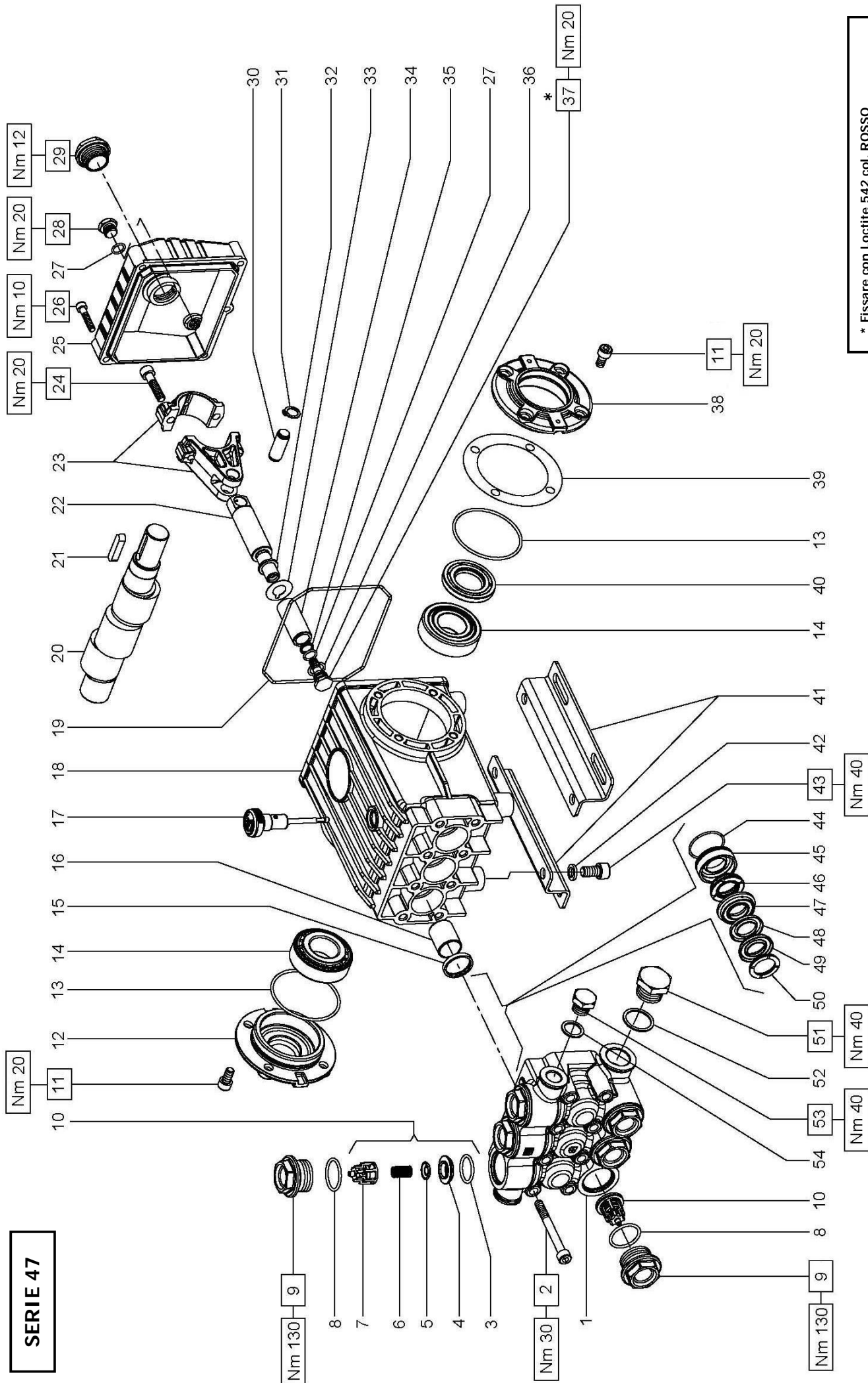
POS	COD.	DESCRIZIONE – DESCRIPTION - KIT	NR
46	47.2172.70	Anello intermedio D. 16	110-112
47	90.2643.00	Anello RESTOP D. 16	109-112
48	47.2000.74	Piedino pompa	2
49	99.3644.00	Vite M10x18 UNI 5931	4
50	96.7106.00	Rosetta D. 10 DIN 7980	4
51	98.2176.00	Tappo G 1/2"x10	1
52	96.7514.00	Rosetta D. 21.5x27.0x1.5	1
53	98.2100.00	Tappo G 3/8"x13	1
54	96.7380.00	Rosetta D. 17.5x23.0x1.5	1
55	90.2642.00	Anello tenuta D. 16 HP	109-112



W928 - T9281



SERIE 47



* Fissare con Loctite 542 col. ROSSO
 * Affix with Loctite 542 col. RED
 * Fixer avec de la Loctite 542 couleur ROUGE
 * Mit Loctite 542 ROT befestigen
 * Fijar con Loctite 542 col. ROJO
 * Fixar com Loctite 542 cor. VERMELHA

DIS. COD. 47.9540.00



WS1630



KIT RICAMBI – SPARE KITS

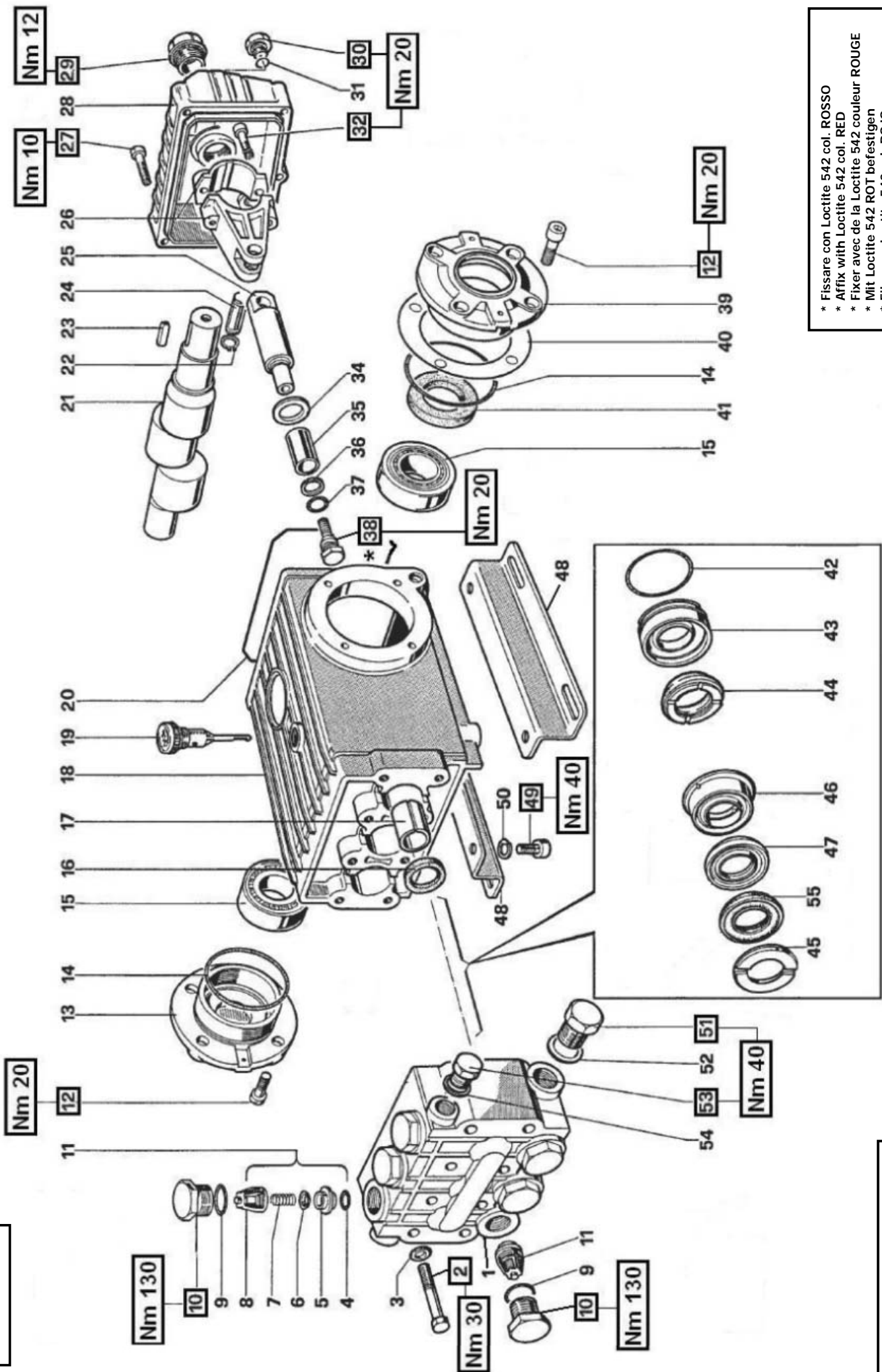
KIT Nr.	KIT 2	KIT 6	KIT 11	KIT 14	KIT 29	KIT 148	KIT 149	KIT 169
Posizioni include Positions included	15	27 - 33 35 - 36 37	50	44 - 45	44 - 45 46 - 47 48 - 49 50	46 - 48 49	47 - 48	3 - 4 5 - 6 7 (10)
Nr. Pcs.	3	3	6	3	1	3	3	6

POS	COD.	DESCRIZIONE – DESCRIPTION - KIT	NR
1	47.1230.41	Testata D. 22	1
2	99.3220.00	Vite M8x75 UNI 5931	8
3	90.3857.00	OR D. 23.81x2.62 NBR SH. 70 132 169	6
4	36.2033.66	Sede valvola	169
5	36.2034.76	Valvola sferica	169
6	94.7388.00	Molla Dm. 10.0x18.5	169
7	36.2035.51	Guida valvola	169
8	90.3864.00	OR D. 28.25x2.62 NBR SH. 70 3112	6
9	98.2300.00	Tappo M32x1.5x17.5	6
10	36.7127.01	Gr. valvola aspiraz./mandata	169
11	99.3039.00	Vite M8x16 UNI 5931	8
12	47.1511.22	Coperchio cuscinetto	1
13	90.3913.00	OR D. 67.95x2.62 NBR SH. 70 3268	2
14	91.8375.00	Cuscinetto a rulli	2
15	90.1625.00	Anello rad. D. 22.0x32.0x5.5	2
16	90.9126.00	Boccola D. 22x25x30	3
17	98.2106.00	Tappo carico olio G 3/8"	1
18	47.0100.22	Carter pompa	1
19	90.3922.00	OR D. 133.02x2.62 NBR SH. 70 3525	1
20	47.0223.35	Albero ecc. C.19 - WS1630	1
21	91.4890.00	Linguetta 8x7x35 UNI 6604	1
22	47.0504.66	Guida pistone	3

POS	COD.	DESCRIZIONE – DESCRIPTION - KIT	NR
23	47.0300.01	Biella completa	3
24	99.3099.00	Vite M8x35 UNI 5931	6
25	47.1601.22	Coperchio posteriore	1
26	99.1912.00	Vite M6x30 UNI 5931	4
27	90.3585.00	OR D. 10.82x1.78 NBR SH. 70 2043	6
28	98.2042.50	Tappo G 1/4"x9 TE17 – Zinc.	1
29	97.5968.00	Spia livello olio G 3/4"	1
30	97.7380.00	Spinotto D. 13x35.5	3
31	90.0557.00	Anello d'arresto A12	6
32	47.2255.70	Distanziale D. 14.0x20.5x2.5	3
33	96.7286.00	Rosetta D. 14.0x28.0x0.5	6
34	47.0405.09	Pistone D. 22	3
35	90.5067.00	Anello antiest. D. 11.0x14.0x1.5	6
36	96.7280.00	Rosetta D. 14.0x18.5x0.5	6
37	47.2195.66	Vite fissaggio pistone	6
38	47.1510.22	Coperchio cuscinetto	1
39	97.5678.00	Spessore	1
40	90.1648.00	Anello rad. D. 30.0x55.0x7.0	1
41	47.2000.74	Piede pompa	2
42	96.7106.00	Rosetta D. 10 DIN 7980	4
43	99.3644.00	Vite M10x18 UNI 5931	4
44	90.3616.00	OR D. 34.65x1.78 NBR SH. 70 2137 14-29	3


POS	COD.	DESCRIZIONE – DESCRIPTION - KIT	NR
45	47.0806.70	Anello di fondo D. 22	14-29
46	90.2728.00	Anello ten. alt. D. 22x35x8.8 LP	29-148
47	47.2170.70	Anello intermedio D. 22	29-149
48	90.2730.00	Anello RESTOP D.22x35x5.5/2 29-148-149	3
49	90.2725.00	Anello ten. alt. D. 22x35x7/4.5 HP 29-148	3
50	46.1000.51	Anello di testa D. 22	11-29
51	98.2268.00	Tappo G 3/4"x16	1
52	96.7700.00	Rosetta D. 26.5x32.0x1.5	1
53	98.2100.00	Tappo G 3/8"x13	1
54	96.7380.00	Rosetta D. 17.5x23.0x1.5	1

SERIE 47




* Fissare con Loctite 542 col. ROSSO
 * Affix with Loctite 542 col. RED
 * Fixer avec de la Loctite 542 couleur ROUGE
 * Mit Loctite 542 ROT befestigen
 * Fijar con Loctite 542 col. ROJO
 * Fixar com Loctite 542 cor. VERMELHA

DIS. COD. 47.9528.00



WS251 - WS252



KIT RICAMBI – SPARE KITS

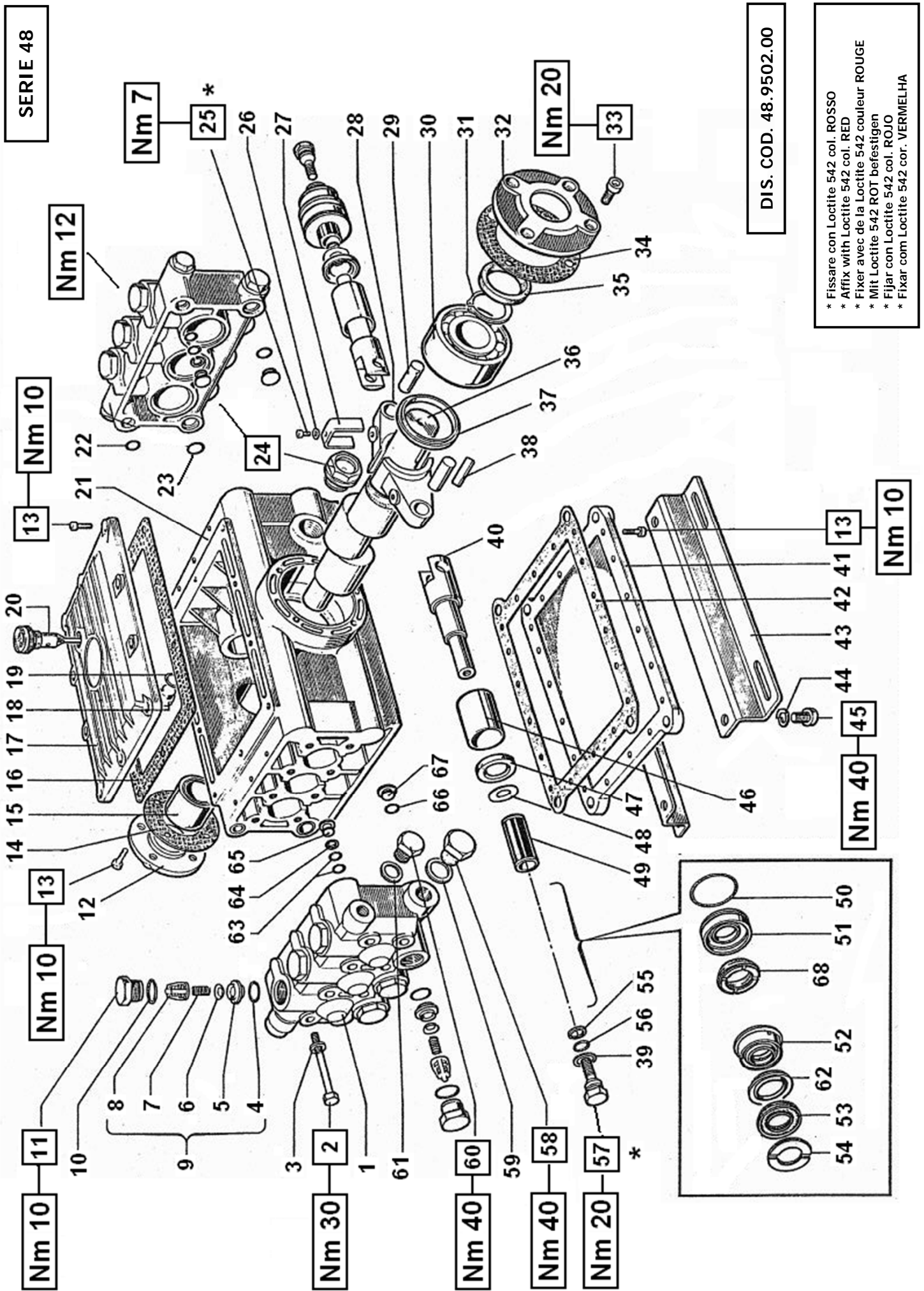
KIT Nr.	KIT 1	KIT 2	KIT 3	KIT 6	KIT 7	KIT 10	KIT 28	KIT 69	KIT 71
Posizioni incluse Positions Included	4-5 6-7 8 (11)	16	41	31 - 34 36 - 37 38	45	42 - 43	42 - 43 44 - 45 46 - 47 55	44 - 47 55	46 - 47
Nr. Pcs.	6	3	2	3	6	3	1	3	3

POS	COD.	DESCRIZIONE – DESCRIPTION - KIT	NR
1	47.1217.41	Testata D. 20	1
2	99.3206.00	Vite M8x70 UNI 5737	8
3	96.7020.00	Rosetta D. 8 UNI 1736	8
4	90.3841.00	OR D. 17.13x2.62 NBR SH.70 3068	1 6
5	36.2003.66	Sede valvola	1 6
6	36.2001.76	Valvola	1 6
7	94.7376.00	Molla Dm. 9.4x14.8	1 6
8	36.2002.51	Guida valvola	1 6
9	90.3847.00	OR D. 20.24x2.62 NBR SH.90 3081	6
10	98.2228.00	Tappo M24x1.5x17.5 HP	6
11	36.7032.01	Gr. Valvola aspiraz./mandata	1 6
12	99.3039.00	Vite M8x16 UNI 5931	8
13	47.1511.22	Coperchio cuscinetto	1
14	90.3913.00	OR D. 67.95x2.62 NBR SH.70 3325	2
15	91.8378.00	Cuscinetto a rulli	2
16	90.1625.00	Anello rad. D. 22.0x32.0x2.5	2 3
17	90.9126.00	Boccola D. 22x25x30	3
18	47.0100.22	Carter pompa	1
19	98.2106.00	Tappo carico olio G 3/8"	1
20	90.3922.00	OR D. 133.02x2.62 NBR SH.70 3525	1
21	47.0218.35 47.0217.35	Albero ecc. C.12 - WS251 Albero ecc. C.16 - WS252	1
22	90.0557.00	Anello di fermo A12	6

POS	COD.	DESCRIZIONE – DESCRIPTION - KIT	NR
23	91.4890.00	Linguetta 8x7x35 UNI 6604	1
24	97.7380.00	Spinotto D. 13x35	3
25	47.0503.66	Guida pistone	3
26	47.0300.01	Biella completa	3
27	99.1912.00	Vite M6x30 UNI 5931	5
28	47.1601.22	Coperchio carter	1
29	97.5968.00	Spia livello olio G 3/4"	1
30	98.2042.50	Tappo G 1/4"x9 TE17 – Zinc.	1
31	90.3585.00	OR D. 10.82x1.78 NBR SH.70 2043	6 4
32	99.3099.00	Vite M8x35 UNI 5931	6
34	96.7286.00	Rosetta D. 14.0x28.0x0.5	6 3
35	47.0404.09	Pistone D. 20x50	3
36	90.5067.00	Anello antiest. D. 11.0x14.0x1.5	6 3
37	96.7280.00	Rosetta D. 14.0x18.0x0.5	6 3
38	47.2195.66	Vite fissaggio pistone	6 3
39	47.1510.22	Coperchio cuscinetto	1
40	97.5678.00	Spessore	2
41	90.1648.00	Anello rad. D. 30.0x55.0x7.0	3 1
42	90.3616.00	OR D. 34.65x1.78 NBR SH.70 2137 10-28	3
43	47.0805.70	Anello di fondo D. 20	10-28 3
44	90.2710.00	Anello tenuta D. 20x35x8.7 LP	28-69 3
45	47.1000.51	Anello di testa D. 20	7-28 3

POS	COD.	DESCRIZIONE – DESCRIPTION - KIT	NR
46	47.2169.70	Anello intermedio D. 20	28-71 3
47	90.2704.00	Anello RESTOP D. 20x35x5.5/2	28-69-71 3
48	47.2000.74	Piede pompa	2
49	99.3644.00	Vite M10x18 UNI 5931	4
50	96.7106.00	Rosetta D. 10 DIN 7980	4
51	98.2176.00	Tappo G 1/2"x10	1
52	96.7514.00	Rosetta D. 21.5x27.0x1.5	1
53	98.2100.00	Tappo G 3/8"x13	1
54	96.7380.00	Rosetta D. 17.5x23.0x1.5	1
55	90.2705.00	Anello tenuta D. 20x35x7.5/4.5 HP	28-69 3


SERIE 48




DIS. COD. 48.9502.00

- * Fissare con Loctite 542 col. ROSSO
- * Affix with Loctite 542 col. RED
- * Fixer avec de la Loctite 542 couleur ROUGE
- * Mit Loctite 542 ROT befestigen
- * Fijar con Loctite 542 col. ROJO
- * Fixar com Loctite 542 cor. VERMELHA

KIT RICAMBI – SPARE KITS



WS135 - W203 - TS1351 - T2031



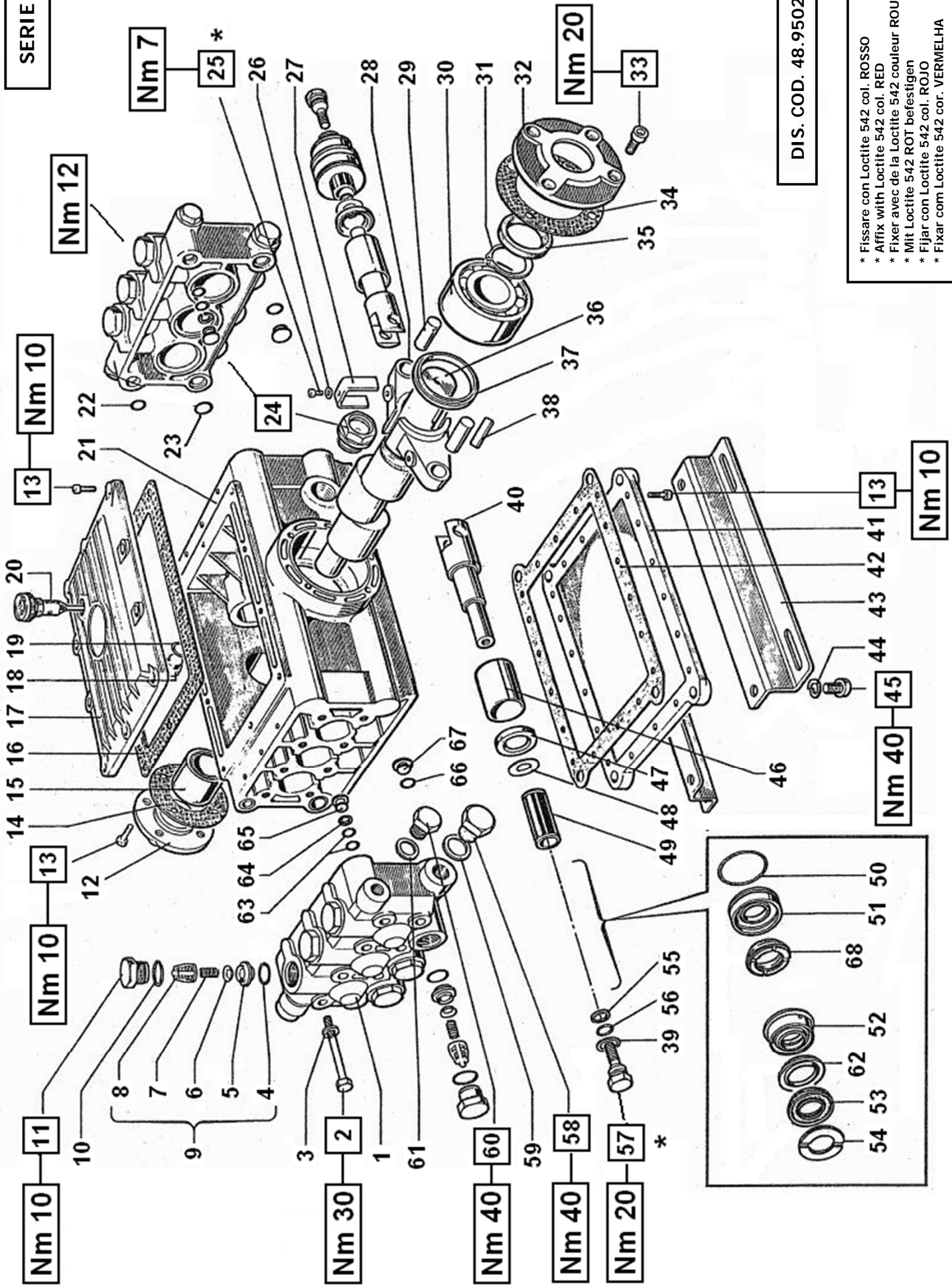
KIT Nr.	KIT 1	KIT 4	KIT 6	KIT 24	KIT 7	KIT 10	KIT 28	KIT 69	KIT 71
Posizioni incluse Positions included	4 - 5 6 - 7 8 (9)	10 - 11	39 - 48 55 - 56 57	47	54	50 - 51 52 - 53 54 - 62 68	53 - 62 68		52 - 62
Nr. Pcs.	6	6	3	3	6	3	1	3	3

POS	COD.	DESCRIZIONE – DESCRIPTION - KIT	NR
24	97.5968.00	Spia livello olio G 3/4"	1
25	99.1537.00	Vite M5x12 UNI 5931	6
26	96.6910.00	Rosetta D. 5.3x9.0x0.6	6
27	48.2170.74	Forcella bielle	6
28	48.0301.22	Coppia di bielle	3
29	97.7374.00	Spinotto D. 13x29.5	6
30	91.8475.00	Cuscinetto a sfere	1
31	90.0695.00	Anello d'arresto D. 35 UNI 7435	1
32	48.1500.22	Coperchio laterale carter lato PTO	1
33	99.3039.00	Vite M8x16 UNI 5931	4
34	48.2112.84	Guarnizione coperchio laterale lato PTO	1
35	90.1670.00	Anello rad. D. 35.0x52.0x7.0	1
36	48.0202.35 48.0201.35	Albero ecc. C.16 – WS135 TS1351 Albero ecc. C.16 – W203 T2031	1
37	48.2123.89	Anello bielle	6
38	91.4975.00	Linguetta 10x8x50 UNI 6604	1
39	96.7280.00	Rosetta D. 14.0x18.5x0.5	6
40	48.0501.54	Guida pistone	6
41	48.2116.22	Coperchio inferiore carter	1
42	48.2117.84	Guarnizione coperchio inferiore carter	1
43	48.2000.74	Piedino pompa	2
44	96.7106.00	Rosetta D. 10.2 DIN 7980	4
45	99.3699.00	Vite M10x35 UNI 5931	4
46	90.9150.00	Boccola D. 30x34x40	6

POS	COD.	DESCRIZIONE – DESCRIPTION - KIT	NR
47	90.1627.00	Anello rad. D. 22.0x35.0x8.0	24
48	96.7286.00	Rosetta D. 14.0x28.0x0.5	6
49	47.0404.09	Pistone D. 20x50	6
50	90.3616.00	OR D. 34.65x1.78 NBR SH. 70 2137 10-28	6
51	47.0805.70	Anello di fondo D. 20	10-28
52	47.2169.70	Anello intermedio D. 20	28-71
53	90.2705.00	Anello ten. alt. D. 20x35x7.5/4.5 HP 28-69	6
54	47.1000.51	Anello di testa D. 20	7-28
55	90.5067.00	Anello antiest. D. 11.0x14.0x1.5	6
56	90.3585.00	OR D. 10.82x1.78 NBR SH. 70 2043	6
57	47.2195.66	Vite fissaggio pistone	6
58	98.2176.00	Tappo G 1/2"x10	4
59	96.7514.00	Rosetta D. 21.5x27.0x1.5	4
60	98.2100.00	Tappo G 3/8"x13	3
61	96.7380.00	Rosetta D. 17.5x23.0x1.5	3
62	90.2704.00	Anello RESTOP D. 20x35x5.5/2 28-69-71	6
63	90.3580.00	OR D. 8.73x1.78 NBR SH. 70 108	4
64	90.5037.00	Anello antiest. D. 9.0x12.0x1.5	2
65	48.2204.70	Tappo interno D. 12	2
66	90.3825.00	OR D. 10.78x2.62 NBR SH. 70 3043	2
67	48.2203.70	Tappo interno D. 16	2
68	90.2710.00	Anello ten. alt. D. 20x35x8.7 LP	28-69

POS	COD.	DESCRIZIONE – DESCRIPTION - KIT	NR
1	48.1202.41	Testata pompa D.20	2
2	99.3206.00	Vite M8x70 UNI 5737	16
3	96.7020.00	Rosetta D. 8.4x15x1.5	16
4	90.3841.00	OR D. 17.13x2.62 NBR SH. 70 3068	1
5	36.2003.66	Sede valvola	1
6	36.2001.76	Valvola	1
7	94.7376.00	Molla Dm. 9.4x14.8	1
8	36.2002.51	Guida valvola	1
9	36.7032.01	Gr. valvola aspiraz./mandata	1
10	90.3847.00	OR D. 20.51x2.62 NBR SH. 90 3081	4
11	98.2220.00	Tappo M24x2x16	4
12	48.1601.22	Coperchio laterale carter	1
13	99.1837.00	Vite M6x14 UNI 5931	32
14	48.2119.84	Guarnizione coperchio laterale	1
15	91.8370.00	Cuscinetto a rulli	1
16	48.2118.84	Guarnizione coperchio superiore	1
17	48.2114.22	Coperchio superiore carter	1
18	98.2042.50	Tappo G 1/4"x9 TE17 – Zinc.	1
19	90.3585.00	OR D. 10.82x1.78 NBR SH. 70 2043	1
20	98.2097.00	Tappo con asta G 3/8"x97	1
21	48.0104.02	Carter pompa	1
22	90.3827.00	OR D. 11.91x2.62 NBR SH. 70 115	2
23	90.3839.00	OR D. 15.88x2.62 NBR SH. 70 121	2


SERIE 48



DIS. COD. 48.9502.00

- * Fissare con Loctite 542 col. ROSSO
- * Affix with Loctite 542 col. RED
- * Fixer avec de la Loctite 542 couleur ROUGE
- * Mit Loctite 542 ROT befestigen
- * Fijar con Loctite 542 col. ROJO
- * Fixar com Loctite 542 cor. VERMELHA

KIT RICAMBI – SPARE KITS

 W163 - T1631	
---	--

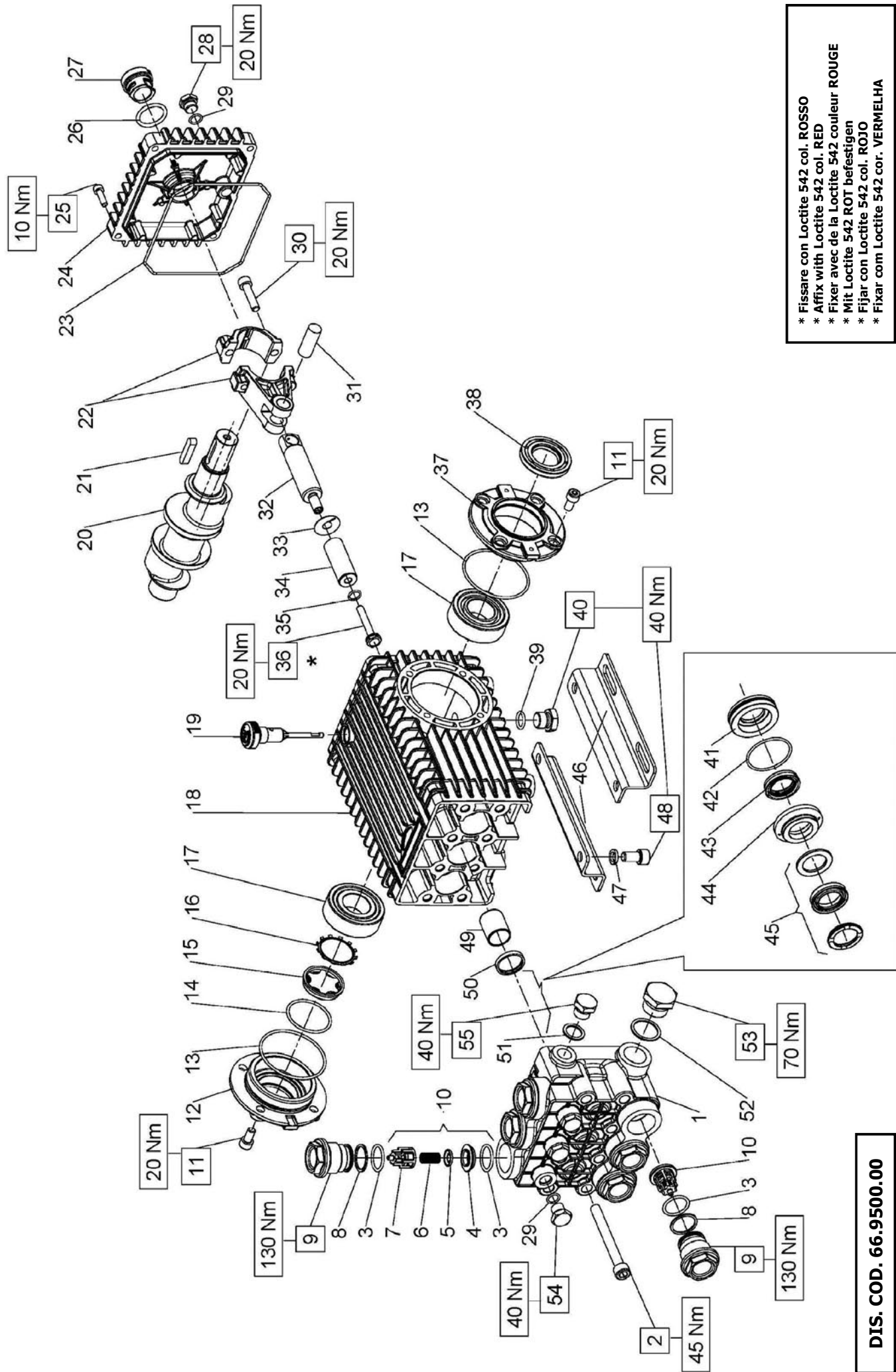
KIT Nr.	KIT 1	KIT 4	KIT 6	KIT 24	KIT 11	KIT 14	KIT 29	KIT 148	KIT 149
Posizioni include Positions included	4 - 5 6 - 7 8 (9)	10 - 11	39 - 48 55 - 56 57	47	54	50 - 51	50 - 51 52 - 53 54 - 62 68	53 - 62 68	52 - 62
Nr. Pcs.	6	6	3	3	6	3	1	3	3

POS	COD.	DESCRIZIONE – DESCRIPTION - KIT	NR
1	48.1202.41	Testata pompa D.22	2
2	99.3206.00	Vite M8x70 UNI 5737	16
3	96.7020.00	Rosetta D. 8.4x15x1.5	16
4	90.3841.00	OR D. 17.13x2.62 NBR SH. 70 3068	1
5	36.2003.66	Sede valvola	1
6	36.2001.76	Valvola	1
7	94.7376.00	Molla Dm. 9.4x14.8	1
8	36.2002.51	Guida valvola	1
9	36.7032.01	Gr. valvola aspiraz./mandata	1
10	90.3847.00	OR D. 20.51x2.62 NBR SH. 90 3081	4
11	98.2220.00	Tappo M24x2x16	4
12	48.1601.22	Coperchio laterale carter	1
13	99.1837.00	Vite M6x14 UNI 5931	32
14	48.2119.84	Guarnizione coperchio laterale	1
15	91.8370.00	Cuscinetto a rulli	1
16	48.2118.84	Guarnizione coperchio superiore	1
17	48.2114.22	Coperchio superiore carter	1
18	98.2042.50	Tappo G 1/4"x9 TE17 – Zinc.	1
19	90.3585.00	OR D. 10.82x1.78 NBR SH. 70 2043	1
20	98.2097.00	Tappo con asta G 3/8"x97	1
21	48.0104.02	Carter pompa	1
22	90.3827.00	OR D. 11.91x2.62 NBR SH. 70 115	2

POS	COD.	DESCRIZIONE – DESCRIPTION - KIT	NR
23	90.3839.00	OR D. 15.88x2.62 NBR SH. 70 121	2
24	97.5968.00	Spia livello olio G 3/4"	1
25	99.1537.00	Vite M5x12 UNI 5931	6
26	96.6910.00	Rosetta D. 5.3x9.0x0.6	6
27	48.2170.74	Forcella bielle	6
28	48.0301.22	Coppia di bielle	3
29	97.7374.00	Spinotto D. 13x29.5	6
30	91.8475.00	Cuscinetto a sfere	1
31	90.0695.00	Anello d'arresto D. 35 UNI 7435	1
32	48.1500.22	Coperchio laterale carter lato PTO	1
33	99.3039.00	Vite M8x16 UNI 5931	4
34	48.2112.84	Guarnizione coperchio laterale lato PTO	1
35	90.1670.00	Anello rad. D. 35.0x52.0x7.0	1
36	48.0201.35	Albero ecc. C.16	1
37	48.2123.89	Anello bielle	6
38	91.4975.00	Linguetta 10x8x50 UNI 6604	1
39	96.7280.00	Rosetta D. 14.0x18.5x0.5	6
40	48.0501.54	Guida pistone	6
41	48.2116.22	Coperchio inferiore carter	1
42	48.2117.84	Guarnizione coperchio inferiore carter	1
43	48.2000.74	Piedino pompa	2
44	96.7106.00	Rosetta D. 10.2 DIN 7980	4
45	99.3699.00	Vite M10x35 UNI 5931	4


POS	COD.	DESCRIZIONE – DESCRIPTION - KIT	NR
46	90.9150.00	Boccola D. 30x34x40	6
47	90.1627.00	Anello rad. D. 22.0x35.0x8.0	24
48	96.7286.00	Rosetta D. 14.0x28.0x0.5	6
49	47.0405.09	Pistone D. 22x50	6
50	90.3616.00	OR D. 34.65x1.78 NBR SH. 70 2137 14-29	6
51	47.0806.70	Anello di fondo D. 22	14-29
52	47.2170.70	Anello intermedio D. 22	29-149
53	90.2725.00	Anello ten. alt. D. 22x35x7/4.5 HP 29-148	6
54	46.1000.51	Anello di testa D. 22	11-29
55	90.5067.00	Anello antiest. D. 11.0x14.0x1.5	6
56	90.3585.00	OR D. 10.82x1.78 NBR SH. 70 2043	6
57	47.2195.66	Vite fissaggio pistone	6
58	98.2176.00	Tappo G 1/2"x10	4
59	96.7514.00	Rosetta D. 21.5x27.0x1.5	4
60	98.2100.00	Tappo G 3/8"x13	3
61	96.7380.00	Rosetta D. 17.5x23.0x1.5	3
62	90.2730.00	Anello RSETOP D. 22x35x5.5/2 29-148-149	6
63	90.3580.00	OR D. 8.73x1.78NBR SH. 70 108	4
64	90.5037.00	Anello antiest. D. 9.0x12.0x1.5	2
65	48.2204.70	Tappo interno D. 12	2
66	90.3825.00	OR D. 10.78x2.62 NBR SH. 70 3043	2
67	48.2203.70	Tappo interno D. 16	2
68	90.2728.00	Anello ten. alt. D. 22x35x8.8 LP 29-148	6

SERIE 66



* Fissare con Loctite 542 col. ROSSO
 * Affix with Loctite 542 col. RED
 * Fixer avec de la Loctite 542 couleur ROUGE
 * Mit Loctite 542 ROT befestigen
 * Fijar con Loctite 542 col. ROJO
 * Fixar com Loctite 542 cor. VERMELHA

DIS. COD. 66.9500.00



W3021 - W2525 - W3025 - W2030 - W2035
W2141 - T3025 - T2530 - T2830 - T2535
T2040 - T1750 - W3018 - T3021

KIT RICAMBI – SPARE KITS

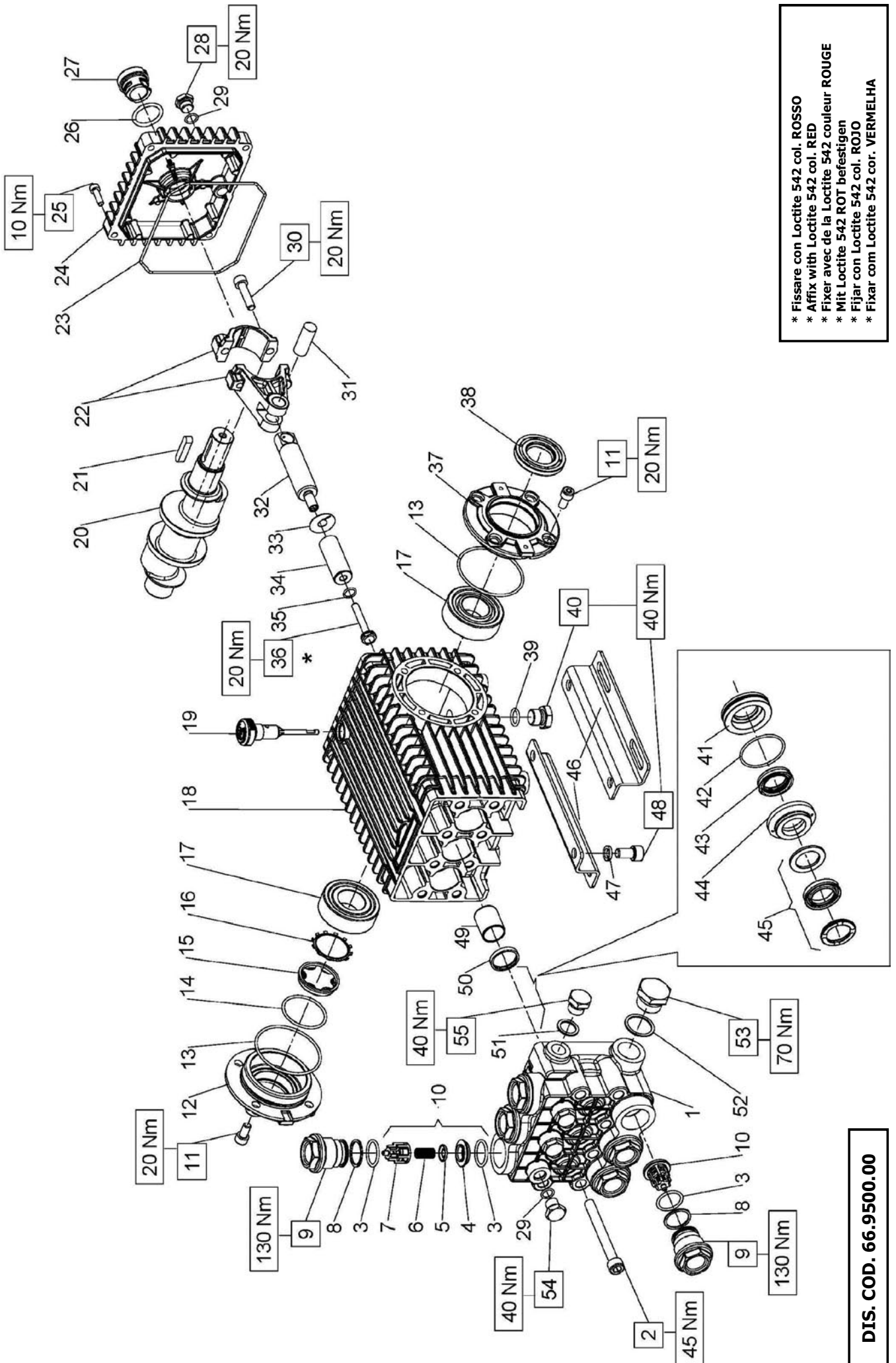
KIT Nr.	KIT 2	KIT 3	KIT 169	PISTONE - PISTON D. 18		PISTONE - PISTON D. 20		PISTONE - PISTON D. 22		PISTONE - PISTON D. 24	
				KIT 176	KIT 180	KIT 171	KIT 172	KIT 173	KIT 181	KIT 182	
Posizioni incluse Positions included	51	39	3-4 4-5 6 (10)	42-43 44-45 46	44-46	42-43 44-45 46	44-46	42-43 44-45 46	44-46	44-46	42-43 44-45 46
Nr. Pcs.	3	2	6	1	3	1	3	1	3	3	1

PISTONE - PISTON D. 18		PISTONE - PISTON D. 20	
W3021 - T3025 - W3018 - T3021	W2525 - W3025 - T2530 - T2535 - T2830		
PISTONE - PISTON D. 22		PISTONE - PISTON D. 24	
W2030 - W2035 - T2040	W2141 - T1750		

POS	COD.	DESCRIZIONE - DESCRIPTION - KIT	NR
19	98.2106.00	Tappo carico olio G 3/8"	1
20	66.0200.35	Albero ecc. C.19 - W2525 W2030 W3021 W3025 T2530 T3025 T2830	1
	66.0204.35	Albero ecc. C.21 - W2035 W2141 T2535 T2040 T1750	
	66.0211.35	Albero ecc. C.16 - W3018 T3021	
21	91.4892.00	Linguetta 9x7x35 UNI 6604	1
22	66.0300.01	Biella completa	3
23	90.3922.00	OR D. 133.02x2.62 NBR SH. 70 3525	1
24	66.1600.22	Coperchio posteriore	1
25	99.1884.00	Vite M6x20 UNI 5931	4
26	90.4051.00	OR D. 26.58x3.53 NBR SH. 70 4106	1
27	63.2100.51	Spia livello olio	1
28	98.2042.50	Tappo G 1/4"x9 TE17 - ZInC.	1
29	90.3585.00	OR D. 10.82x1.78 NBR SH. 70 2043	4
30	99.3099.00	Vite M8x35 UNI 5931	6
31	97.7405.00	Spinotto D. 14x39	3
32	66.0500.66	Guida pistone	3
33	96.7101.00	Rosetta D. 10.0x28.0x0.5	3
34	66.0403.09	Pistone D. 18x54	
	66.0400.09	Pistone D. 20x54	
	66.0401.09	Pistone D. 22x54	
	66.0404.09	Pistone D. 24x54	
35	90.3584.00	OR D. 10.82x1.78 NBR SH. 90 2043	3
36	66.2195.66	Vite fissaggio pistone	3
37	47.1510.22	Coperchio cuscinetto aperto	1
38	90.1648.00	Anello rad. D. 30.0x55.0x7.0	3

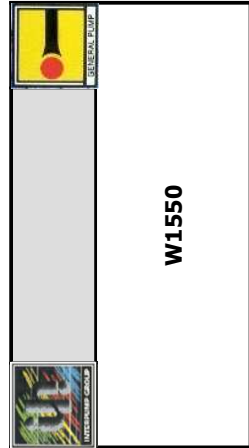
POS	COD.	DESCRIZIONE - DESCRIPTION - KIT	NR
39	90.3833.00	OR D. 13.95x2.62 NBR SH. 70 3056	1
40	98.2100.50	Tappo G 3/8"x13 TE22 - ZInC.	1
41	66.0803.70	Anello di fondo D. 18	176
	66.0800.70	Anello di fondo D. 20	171
	66.0801.70	Anello di fondo D. 22	173
	66.0804.70	Anello di fondo D. 24	182
42	90.3616.00	OR D. 34.65x1.78NBR SH. 70 2137 171-173-176-182	3
43	90.2652.00	Anello tenuta D. 18x26x6.5 LP 180-176	
	90.2690.00	Anello tenuta D. 20x28x6.5 LP 170-171	
	90.2715.00	Anello tenuta D. 22x30x6.5 LP 172-173	
	90.2738.00	Anello tenuta D. 24x32x6.5 LP 181-182	
44	66.2163.70	Anello intermedio D. 18	176
	66.2160.70	Anello intermedio D. 20	171
	66.2161.70	Anello intermedio D. 22	173
	66.2164.70	Anello intermedio D. 24	182
45	90.2655.00	Anello tenuta D. 18x28x10 HP 180-176	
	90.2692.00	Anello tenuta D. 20x30x10 HP 170-171	
	90.2717.00	Anello tenuta D. 22x32x10 HP 172-173	
	90.2741.00	Anello tenuta D. 24x34x10 HP 181-182	
46	47.2000.74	Piede pompa	2
47	96.7106.00	Rosetta D. 10.2 DIN 7980	4
48	99.3644.00	Vite M10x18 UNI 5931	4
49	90.9126.00	Boccola D. 22x25x30	3
50	90.1625.00	Anello rad. D. 22.0x32.0x5.5	2
51	96.7380.00	Rosetta D. 17.5x23.0x1.5	1
52	96.7700.00	Rosetta D. 26.5x32.0x1.5	1
53	98.2268.00	Tappo G 3/4"x16	1
54	98.2043.00	Tappo G 1/4"x13	3
55	98.2100.00	Tappo G 3/8"x13	1

SERIE 66



* Fissare con Loctite 542 col. ROSSO
* Affix with Loctite 542 col. RED
* Fixer avec de la Loctite 542 couleur ROUGE
* Mit Loctite 542 ROT befestigen
* Fijar con Loctite 542 col. ROJO
* Fixar com Loctite 542 cor. VERMELHA

DIS. COD. 66.9500.00



KIT RICAMBI – SPARE KITS

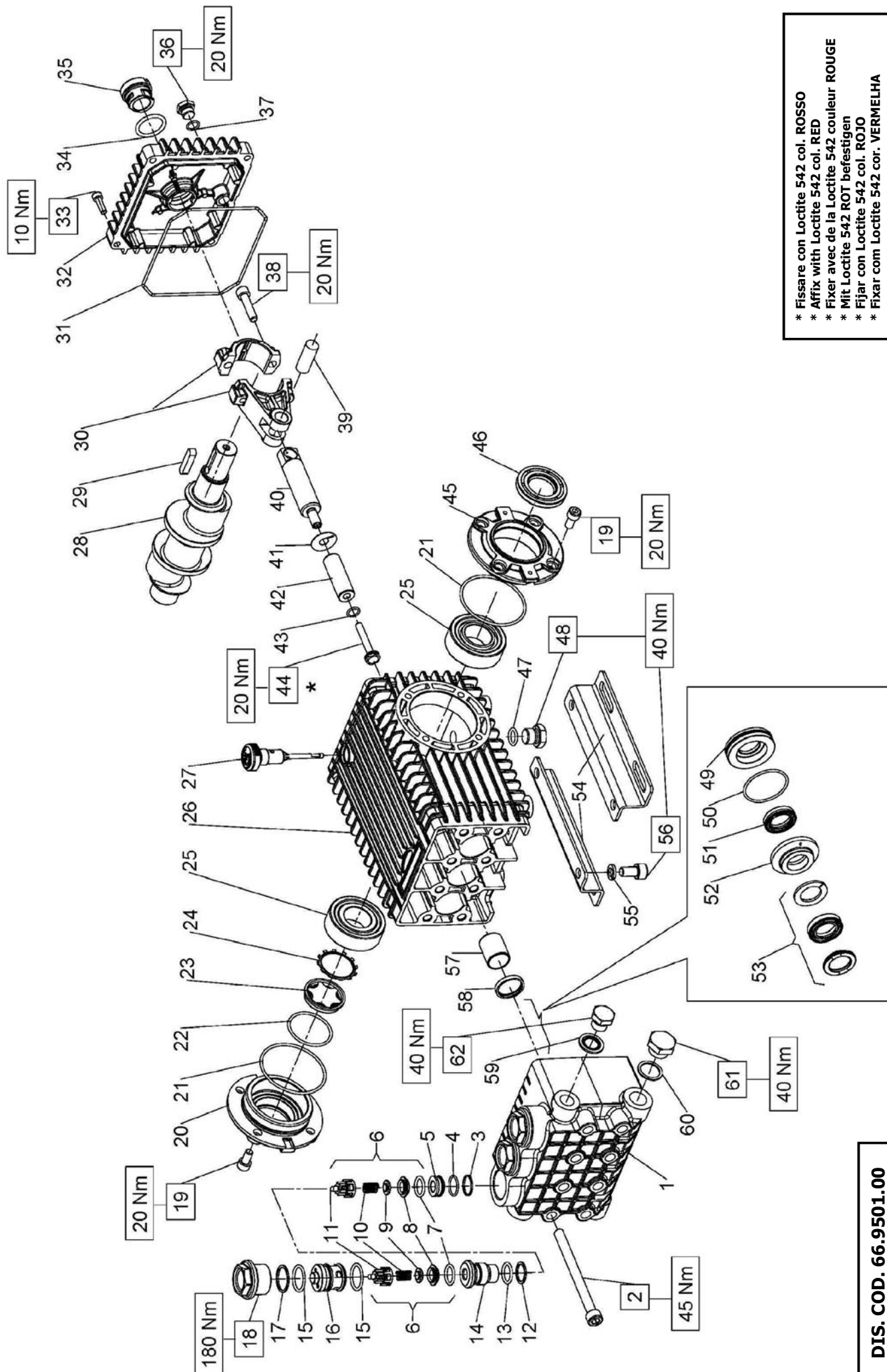
POS	COD.	DESCRIZIONE – DESCRIPTION - KIT	NR
47	96.7106.00	Rosetta D. 10.2 DIN 7980	4
48	99.3644.00	Vite M10x18 UNI 5931	4
49	90.9126.00	Boccola D. 22x25x30	3
50	90.1625.00	Anello rad. D. 22.0x32.0x5.5	2
51	96.7380.00	Rosetta D. 17.5x23.0x1.5	1
52	96.7700.00	Rosetta D. 26.5x32.0x1.5	1
53	98.2268.00	Tappo G 3/4"x16	1
54	98.2043.00	Tappo G 1/4"x13	3
55	98.2100.00	Tappo G 3/8"x13	1

KIT Nr.	KIT 2	KIT 3	KIT 169	KIT 248	KIT 247
Posizioni include Positions included	51	39	3-4 5-6 7 (10)	44-46	42-43 44-45 46
Nr. Pcs.	3	2	6	3	1

POS	COD.	DESCRIZIONE – DESCRIPTION - KIT	NR
24	66.1600.22	Coperchio posteriore	1
25	99.1884.00	Vite M6x20 UNI 5931	4
26	90.4051.00	OR D. 26.58x3.53 NBR SH. 70 4106	1
27	63.2100.51	Spia livello olio	1
28	98.2042.50	Tappo G 1/4"x9 TE17 – Zinc.	1
29	90.3585.00	OR D. 10.82x1.78 NBR SH. 70 2043	4
30	99.3099.00	Vite M8x35 UNI 5931	6
31	97.7405.00	Spinotto D. 14x39	3
32	66.0500.66	Guida pistone	3
33	96.7101.00	Rosetta D. 10.0x28.0x0.5	3
34	66.0410.09	Pistone D. 28x54	3
35	90.3584.00	OR D. 10.82x1.78 NBR SH. 90 2043	3
36	66.2195.66	Vite fissaggio pistone	3
37	47.1510.22	Coperchio cuscinetto aperto	1
38	90.1648.00	Anello rad. D. 30.0x55.0x7.0	3
39	90.3833.00	OR D. 13.95x2.62 NBR SH. 70 3056	1
40	98.2100.50	Tappo G 3/8"x13 TE22 Zinc.	1
41	66.0825.70	Anello di fondo D. 28	247
42	90.3620.00	OR D. 37.82x1.78 NBR SH. 70 2150	247
43	90.2753.00	Anello tenuta D. 28x36x6.5 LP	247-248
44	66.2200.70	Anello intermedio D. 28	247
45	90.2754.00	Anello tenuta D. 28x38x10 HP	247-248
46	47.2000.74	Piede pompa	2

POS	COD.	DESCRIZIONE – DESCRIPTION - KIT	NR
1	66.1246.41	Testata D. 28	1
2	99.3801.00	Vite M10x90 UNI 5931	8
3	90.3857.00	OR D. 23.81x2.62 NBR SH. 70 132 169	12
4	36.2033.66	Sede valvola	169
5	36.2034.76	Valvola sferica	169
6	94.7388.00	Molla Dm. 10.0x18.5	169
7	36.2035.51	Guida valvola	169
8	90.5165.00	Anello antiest. D. 24.7x29.0x1.5	6
9	66.1300.41	Tappo M32x1.5x29.5	6
10	36.7127.01	Gr. valvola aspiraz./mandata	169
11	99.3039.00	Vite M8x16 UNI 5931	8
12	47.1512.22	Coperchio cuscinetto lato spia	1
13	90.3913.00	OR D. 67.95x2.62 NBR SH. 70 3268	2
14	90.3877.00	OR D. 39.34x2.62 NBR SH. 70 3156	1
15	70.2118.01	Spia livello olio	1
16	90.0756.00	Anello d'arresto D. 45	1
17	91.8380.00	Cuscinetto a rulli	2
18	66.0100.22	Carter pompa	1
19	98.2106.00	Tappo carico olio G 3/8"	1
20	66.0200.35	Albero ecc. C.19	1
21	91.4892.00	Linguetta 9x7x35 UNI 6604	1
22	66.0300.01	Biella completa	3
23	90.3922.00	OR D. 133.02x2.62 NBR SH. 70 3525	1

SERIE 66



* Fissare con Loctite 542 col. ROSSO
* Affix with Loctite 542 col. RED
* Fixer avec de la Loctite 542 couleur ROUGE
* Fijar con Loctite 542 col. ROJO
* Fixar com Loctite 542 cor. VERMELHA

DIS. COD. 66.9501.00



**W5015 - W4518 - W4015
W4018 - W3521 - W3523
T4018 - W5018 - T5018
T5015**

KIT RICAMBI - SPARE KITS

KIT Nr.	KIT 2	KIT 3	KIT 150	PISTONE - PISTON D. 16		PISTONE - PISTON D. 18	
				KIT 174	KIT 175	KIT 180	KIT 176
Posizioni include Positions included	59	47	7 - 8 9 - 10 11 (6)	52 - 54	50 - 51 52 - 53 54	52 - 54	50 - 51 52 - 53 54
Nr. Pcs.	3	2	6	3	1	3	1

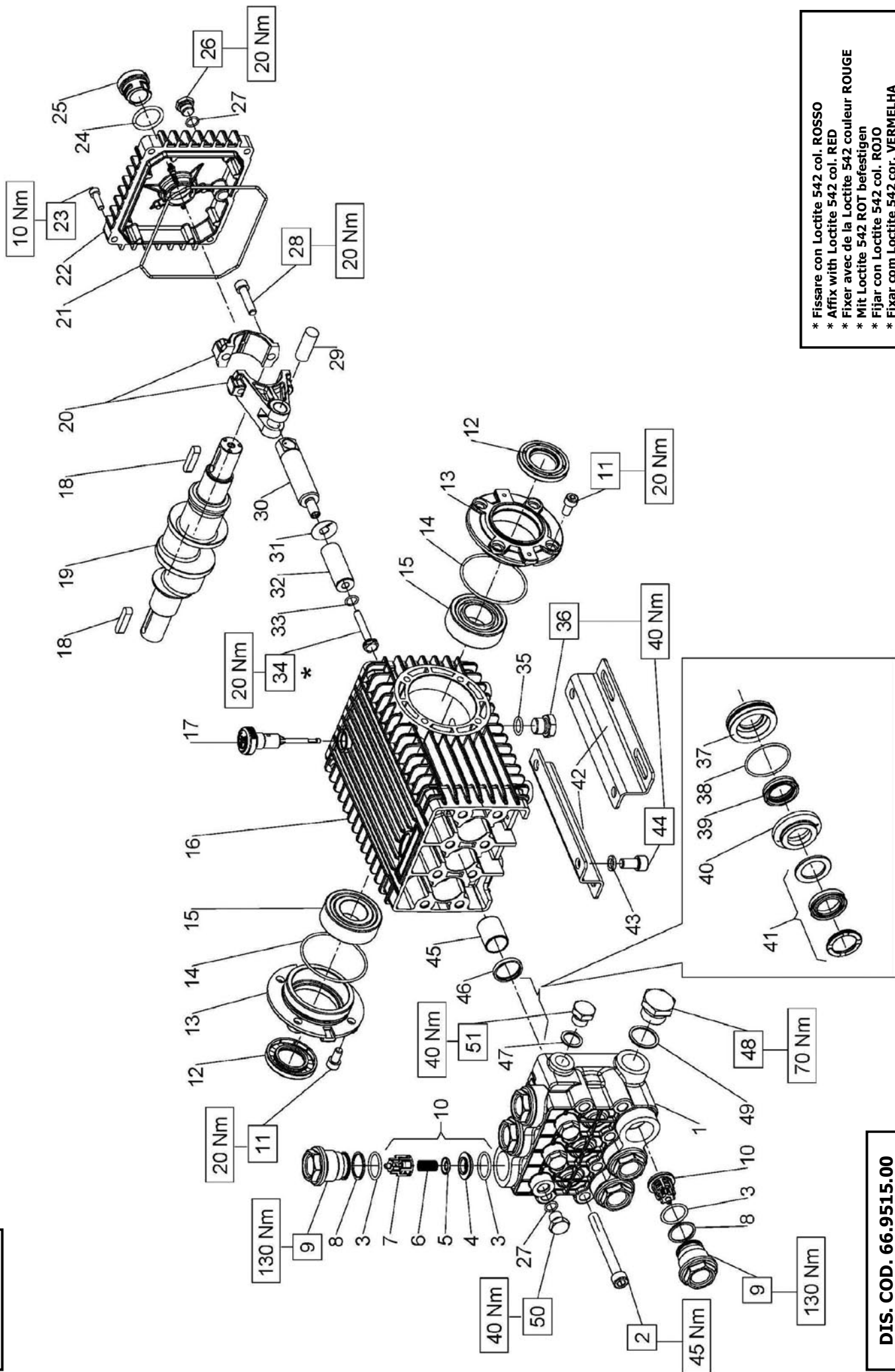
PISTONE - PISTON - D. 16		PISTONE - PISTON - D. 18	
OTTONE W5015 - W4518 - W4015 W4018 - T4018	W3521 - W3523		
NICKEL W5018 - T5018 - T5015	-		

POS	COD.	DESCRIZIONE - DESCRIPTION - KIT	NR
1	66.1210.41 66.1211.41 66.1240.41 66.1247.41	Testata D. 16 Testata D. 18 Testata D. 16 - W5015 W4518 Testata D. 16 - NICKEL	1
2	99.3820.00	Vite M10x120 UNI 5931	8
3	90.5118.00	Anello antiest. D. 19.5x22.0x1.5	3
4	90.3596.00	OR D. 18.77x1.78 NBR SH. 70 2075	3
5	66.2102.70	Distanziale	3
6	36.7121.01	Gr. valvola aspiraz./mandata	150
7	90.3841.00	OR D. 17.13x2.62 NBR SH. 70 3068 150	6
8	36.2003.66	Sede valvola	150
9	36.2032.66	Valvola sferica	150
10	94.7376.00	Molla Dm. 9.4x14.8	150
11	36.2025.51	Guida valvola	150
12	90.5115.00	Anello antiest. D. 18.7x23.0x1.5	3
13	90.3843.00	OR D. 17.86x2.62 NBR SH. 70 123	3
14	66.2101.66	Bussola	3
15	90.3857.00	OR D. 23.81x2.62 NBR SH. 70 132	6
16	66.2100.70	Tappo D. 29	3
17	90.5165.00	Anello antiest. D. 24.7x29.0x1.5	3

POS	COD.	DESCRIZIONE - DESCRIPTION - KIT	NR
18	66.1301.41 66.1310.41	Tappo valvole M32x1.5x18.5 Tappo valvole M32x1.5x18.5 - NK	3
19	99.3039.00	Vite M8x16 UNI 5931	8
20	47.1512.22	Coperchio cuscinetto lato spia	1
21	90.3913.00	OR D. 67.95x2.62 NBR SH. 70 3268	2
22	90.3877.00	OR D. 39.34x2.62 NBR SH. 70 3156	1
23	70.2118.01	Spia livello olio	1
24	90.0756.00	Anello d'arresto D. 45	1
25	91.8380.00	Cuscinetto a rulli	2
26	66.0100.22	Carter pompa	1
27	98.2106.00	Tappo carico olio	1
28	66.0200.35 66.0204.35 66.0211.35	Albero ecc. C.19 - W5015 W4015 W3521 T4018 T5018 Albero ecc. C.21 - W4518 W4018 W3523 W5018 Albero ecc. C.16 - T5015	1
29	91.4892.00	Linguetta 9x7x35 UNI 6604	1
30	66.0300.01	Biella completa	3
31	90.3922.00	OR D. 133.02x2.62 NBR SH. 70 3525	1
32	66.1600.22	Coperchio posteriore	1
33	99.1884.00	Vite M6x20 UNI 5931	4
34	90.4051.00	OR D. 26.58x3.53 NBR SH. 70 4106	1
35	63.2100.51	Spia livello olio	1
36	98.2042.50	Tappo G 1/4"x9 TEI7 - Zinc.	1
37	90.3585.00	OR D. 10.82x1.78 NBR SH. 70 2043	1
38	99.3099.00	Vite M8x35 UNI 5931	6

POS	COD.	DESCRIZIONE - DESCRIPTION - KIT	NR
39	97.7405.00	Spinotto D. 14x39	3
40	66.0500.66	Guida pistone	3
41	96.7101.00	Rosetta D. 10.0x28.0x0.5	3
42	66.0402.09 66.0403.09	Pistone D. 16x54 Pistone D. 18x54	3
43	90.3584.00	OR D. 10.82x1.78 NBR SH. 90 2043	3
44	66.2195.66	Vite fissaggio pistone	3
45	47.1510.22	Coperchio cuscinetto aperto	1
46	90.1648.00	Anello rad. D. 30.0x56.0x7.0	3
47	90.3833.00	OR D. 13.95x2.62 NBR SH. 70 3056	1
48	98.2100.50	Tappo G 3/8"x13 TE22 - Zinc.	1
49	66.0802.70 66.0803.70	Anello di fondo D. 16 Anello di fondo D. 18	175 176
50	90.3616.00	OR D. 34.65x1.78 NBR SH. 70 2137 175-176	3
51	90.2631.00 90.2652.00	Anello tenuta D. 16x24x6.5 LP Anello tenuta D. 18x26x6.5 LP	174-175 180-176
52	66.2162.70 66.2163.70	Anello intermedio D. 16 Anello intermedio D. 18	175 176
53	90.2634.00 90.2655.00	Anello tenuta D. 16x26x9.5 HP Anello tenuta D. 18x28x10 HP	174-175 180-176
54	47.2000.74	Piede pompa	2
55	96.7106.00	Rosetta D. 10.2 DIN 7980	4
56	99.3644.00	Vite M10x18 UNI 5931	4
57	90.9126.00	Boccola D. 22x25x30	3
58	90.1625.00	Anello rad. D. 22.0x32.0x5.5	2
59	93.1858.00	Rondella di tenuta G 3/8"	1
60	96.7514.00	Rosetta D. 21.5x27.0x1.5	1
61	98.2176.00	Tappo G 1/2"x10	1
62	98.2100.00	Tappo G 3/8"x13	1

SERIE 66



DIS. COD. 66.9515.00



W3021 - W2525 - W3025 - W2030
W1550 - T3025 - T2530 - T2830

KIT RICAMBI – SPARE KITS

KIT Nr.	KIT 2	KIT 3	KIT 169	PISTONE - PISTON D. 18		PISTONE - PISTON D. 20		PISTONE - PISTON D. 22		PISTONE - PISTON D. 28	
				KIT 180	KIT 176	KIT 170	KIT 171	KIT 172	KIT 173	KIT 248	KIT 247
47	12	3-4 5-6 7 (10)	40-42	38-39 40-41 42	40-42	38-39 40-41 42	40-42	38-39 40-41 42	40-42	38-39 40-41 42	
3	2	6	3	1	3	1	3	1	3	1	
Nr. Pcs.											

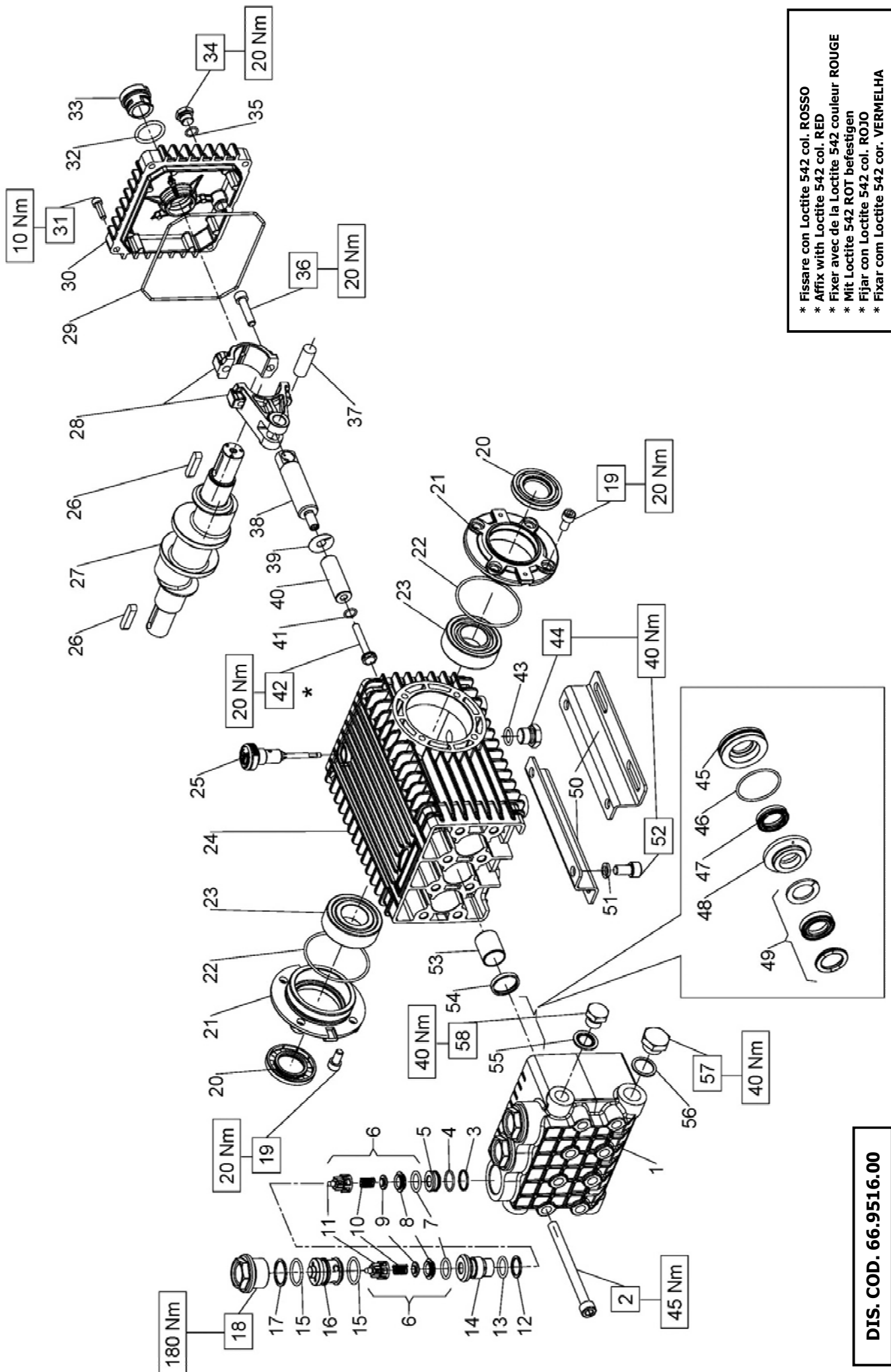
PISTONE - PISTON D. 18		PISTONE - PISTON D. 20	
W3021 - T3025	W2525 - W3025 - T2530 - T2830		
PISTONE - PISTON D. 22			
W2030	W1550		

POS	COD.	DESCRIZIONE - DESCRIPTION - KIT	NR
17	98.2106.00	Tappo carico olio G 3/8"	1
18	91.4892.00	Linguetta 9x7x35 UNI 6604	2
19	66.0210.35	Albero ecc. C.19	1
20	66.0300.01	Biella completa	3
21	90.3922.00	OR D. 133.02x2.62 NBR SH. 70 3525	1
22	66.1600.22	Coperchio posteriore	1
23	99.1884.00	Vite M6x20 UNI 5931	4
24	90.4051.00	OR D. 26.58x3.53 NBR SH. 70 106	1
25	63.2100.51	Spia livello olio	1
26	98.2042.50	Tappo G 1/4"x9 TE17 - Zinc.	1
27	90.3585.00	OR D. 10.82x1.78 NBR SH. 70 2043	1
28	99.3099.00	Vite M8x35 UNI 5931	6
29	97.7405.00	Spinotto D. 14x39	3
30	66.0500.66	Guida pistone	3
31	96.7101.00	Rosetta D. 10.0x28.0x0.5	3
32	66.0403.09 66.0400.09 66.0401.09 66.0410.09	Pistone D. 18x54 Pistone D. 20x54 Pistone D. 22x54 Pistone D. 28x54	3
33	90.3584.00	OR D. 10.82x1.78 NBR SH. 90 2043	3
34	66.2195.66	Vite fissaggio pistone	3
35	90.3833.00	OR D. 13.95x2.62 NBR SH. 70 3056	1
36	98.2100.50	Tappo G 3/8"x13 TE22 - Zinc.	1

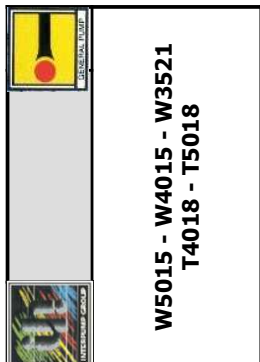
POS	COD.	DESCRIZIONE - DESCRIPTION - KIT	NR
1	66.1245.41 66.1200.41 66.1201.41 66.1246.41	Testata D. 18 Testata D. 20 Testata D. 22 Testata D. 28	1
2	99.3801.00	Vite M10x90 UNI 5931	8
3	90.3857.00	OR D. 23.81x2.62 NBR SH. 70 132 169	12
4	36.2033.66	Sede valvola sferica	6
5	36.2034.76	Valvola sferica	6
6	94.7388.00	Molla Dm. 10.0x18.5	6
7	36.2035.51	Guida valvola	6
8	90.5165.00	Anello antiest. D. 24.7x19.0x1.5	6
9	66.1300.41	Tappo M32x1.5x29.5	6
10	36.7127.01	Gr. valvola aspiraz./mandata	6
11	99.3039.00	Vite M8x16 UNI 5931	8
12	90.1648.00	Anello rad. D. 30.0x55.0x7.0	3
13	47.1510.22	Coperchio cuscinetto aperto	2
14	90.3913.00	OR D. 67.95x2.62 NBR SH. 70 3268	2
15	91.8380.00	Cuscinetto a rulli	2
16	66.0100.22	Carter pompa	1

POS	COD.	DESCRIZIONE - DESCRIPTION - KIT	NR
37	66.0803.70 66.0800.70 66.0801.70 66.0825.70	Anello di fondo D. 18 Anello di fondo D. 20 Anello di fondo D. 22 Anello di fondo D. 28	3
38	90.3616.00 90.3620.00	OR D. 34.65x1.78 NBR SH. 70 2137 171-173-176-182 OR D. 37.82x1.78 NBR SH. 70 2150 247	3
39	90.2652.00 90.2690.00 90.2715.00 90.2753.00	Anello tenuta D. 18x26x6.5 LP 180-176 Anello tenuta D. 20x28x6.5 LP 170-171 Anello tenuta D. 22x30x6.5 LP 172-173 Anello tenuta D. 28x36x6.5 LP 247-248	3
40	66.2163.70 66.2160.70 66.2161.70 66.2200.70	Anello intermedio D. 18 Anello intermedio D. 20 Anello intermedio D. 22 Anello intermedio D. 28	3
41	90.2655.00 90.2692.00 90.2717.00 90.2754.00	Anello tenuta D. 18x28x10 HP 180-176 Anello tenuta D. 20x30x10 HP 170-171 Anello tenuta D. 22x32x10 HP 172-173 Anello tenuta D. 28x38x10 HP 247-248	3
42	47.2000.74	Piede pompa	2
43	96.7106.00	Rosetta D. 10.2 DIN 7980	4
44	99.3644.00	Vite M10x18 UNI 5931	4
45	90.9126.00	Boccola D. 22x25x30	3
46	90.1625.00	Anello rad. D. 22.0x32.0x5.5	2
47	96.7380.00	Rosetta D. 17.5x23.0x1.5	1
48	98.2268.00	Tappo G 3/4"x16	1
49	96.7700.00	Rosetta D. 26.5x32.0x1.5	1
50	98.2043.00	Tappo G 1/4"x13	3
51	98.2100.00	Tappo G 3/8"x13	1

SERIE 66



DIS. COD. 66.9516.00



**W5015 - W4015 - W3521
T4018 - T5018**

KIT RICAMBI – SPARE KITS

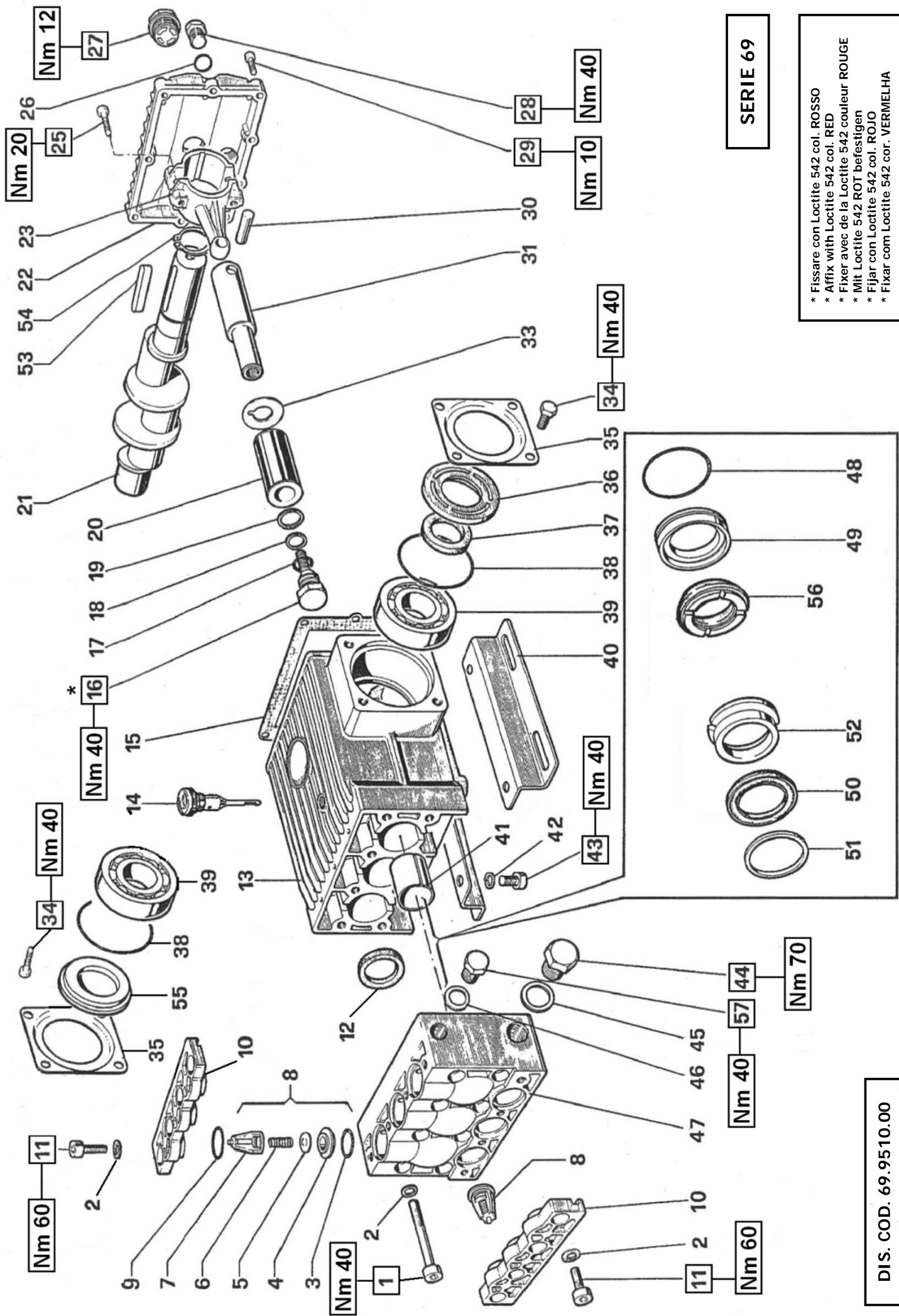
KIT Nr.	KIT 2	KIT 3	PISTONE - PISTON D. 16		PISTONE - PISTON D. 18	
			KIT 150	KIT 174	KIT 175	KIT 180
Posizioni include Positions included	55	20	7 - 8 9 - 10 11 (6)	48 - 50	46 - 47 48 - 49 50	46 - 47 48 - 49 50
Nr. Pcs.	3	2	6	3	1	3

PISTONE - PISTON D. 16		PISTONE - PISTON D. 18	
W5015 - W4015 - T4018 - T5018	W3521		

POS	COD.	DESCRIZIONE – DESCRIPTION - KIT	NR
1	66.1210.41 66.1211.41 66.1240.41	Testata D. 16 Testata D. 18 Testata D. 16 - w5015 w4518	1
2	99.3820.00	Vite M10x120 UNI 5931	8
3	90.5118.00	Anello antiestr. D. 19.5x22.0x1.5	3
4	90.3596.00	OR D. 18.77x1.78 NBR SH. 70 2075	3
5	66.2102.70	Distanziale	3
6	36.7121.01	Gr. valvola aspiraz./mandata	150
7	90.3841.00	OR D. 17.13x2.62 NBR SH. 70 3068 150	6
8	36.2003.66	Sede valvola	150
9	36.2032.66	Valvola sferica	150
10	94.7376.00	Molla Dm. 9.4x14.8	150
11	36.2025.51	Guida valvola	150
12	90.5115.00	Anello antiest. D. 18.7x23.0x1.5	3
13	90.3843.00	OR D. 17.86x2.62 NBR SH. 70 123	3
14	66.2101.66	Bussola	3
15	90.3857.00	OR D. 23.81x2.62 NBR SH. 70 132	6
16	66.2100.70	Tappo D. 29	3
17	90.5165.00	Anello antiest. D. 24.7x29.0x1.5	3
18	66.1301.41	Tappo valvole M32x1.5x18.5	3

POS	COD.	DESCRIZIONE – DESCRIPTION - KIT	NR
41	90.3584.00	OR D. 10.82x1.78 NBR SH. 90 2043	3
42	66.2195.66	Vite fissaggio pistone	3
43	90.3833.00	OR D. 13.95x2.62 NBR SH. 703056	1
44	98.2100.50	Tappo G 3/8"x13 TE22 – Zinc.	1
45	66.0802.70 66.0803.70	Anello di fondo D. 16 Anello di fondo D. 18	175 176
46	90.3616.00	OR D. 34.65x1.78 NBR SH. 70 2137 175-176	3
47	90.2631.00 90.2652.00	Anello tenuta D. 16x24x6.5 LP Anello tenuta D. 18x26x6.5 LP	174-175 180-176
48	66.2162.70 66.2163.70	Anello intermedio D. 16 Anello intermedio D. 18	175 176
49	90.2634.00 90.2655.00	Anello tenuta D. 16x26x9.5 HP Anello tenuta D. 18x28x10 HP	174-175 180-176
50	47.2000.74	Piede pompa	2
51	96.7106.00	Rosetta D. 10.2 DIN 7980	4
52	99.3644.00	Vite M10x18 UNI 5931	4
53	90.9126.00	Boccola D. 22x25x30	3
54	90.1625.00	Anello rad. D. 22.0x32.0x5.5	2
55	93.1858.00	Rondella di tenuta G 3/8"	1
56	96.7514.00	Rosetta D. 21.5x27.0x1.5	1
57	98.2176.00	Tappo G 1/2"x10	1
58	98.2100.00	Tappo G 3/8"x13	1

POS	COD.	DESCRIZIONE – DESCRIPTION - KIT	NR
19	99.3039.00	Vite M8x16 UNI 5931	8
20	90.1648.00	Anello rad. D. 30.0x56.0x7.0	3
21	47.1510.22	Coperchio cuscinetto aperto	2
22	90.3913.00	OR D. 67.95x2.62 NBR SH. 70 3268	2
23	91.8380.00	Cuscinetto a rulli	2
24	66.0100.22	Carter pompa	1
25	98.2106.00	Tappo carico olio	1
26	91.4892.00	Linguetta 9x7x35 UNI 6604	2
27	66.0210.35	Albero ecc. C.19	1
28	66.0300.01	Biella completa	3
29	90.3922.00	OR D. 133.02x2.62 NBR SH. 70 3525	1
30	66.1600.22	Coperchio posteriore	1
31	99.1884.00	Vite M6x20 UNI 5931	4
32	90.4051.00	OR D. 26.58x3.53 NBR SH. 70 4106	1
33	63.2100.51	Spia livello olio	1
34	98.2042.50	Tappo G 1/4"x9 TE17 – Zinc.	1
35	90.3585.00	OR D. 10.82x1.78 NBR SH. 70 2043	1
36	99.3099.00	Vite M8x35 UNI 5931	6
37	97.7405.00	Spinotto D. 14x39	3
38	66.0500.66	Guida pistone	3
39	96.7101.00	Rosetta D. 10.0x28.0x0.5	3
40	66.0402.09 66.0403.09	Pistone D. 16x54 Pistone D. 18x54	3



SERIE 69

* Fissare con Loctite 542 col. ROSSO
 * Affix with Loctite 542 col. RED
 * Fixer avec de la Loctite 542 couleur ROUGE
 * Mit Loctite 542 ROT befestigen
 * Fijar con Loctite 542 col. ROJO
 * Fixar com Loctite 542 cor. VERMELHA

DIS. COD. 69.9510.00

KIT RICAMBI – SPARE KITS

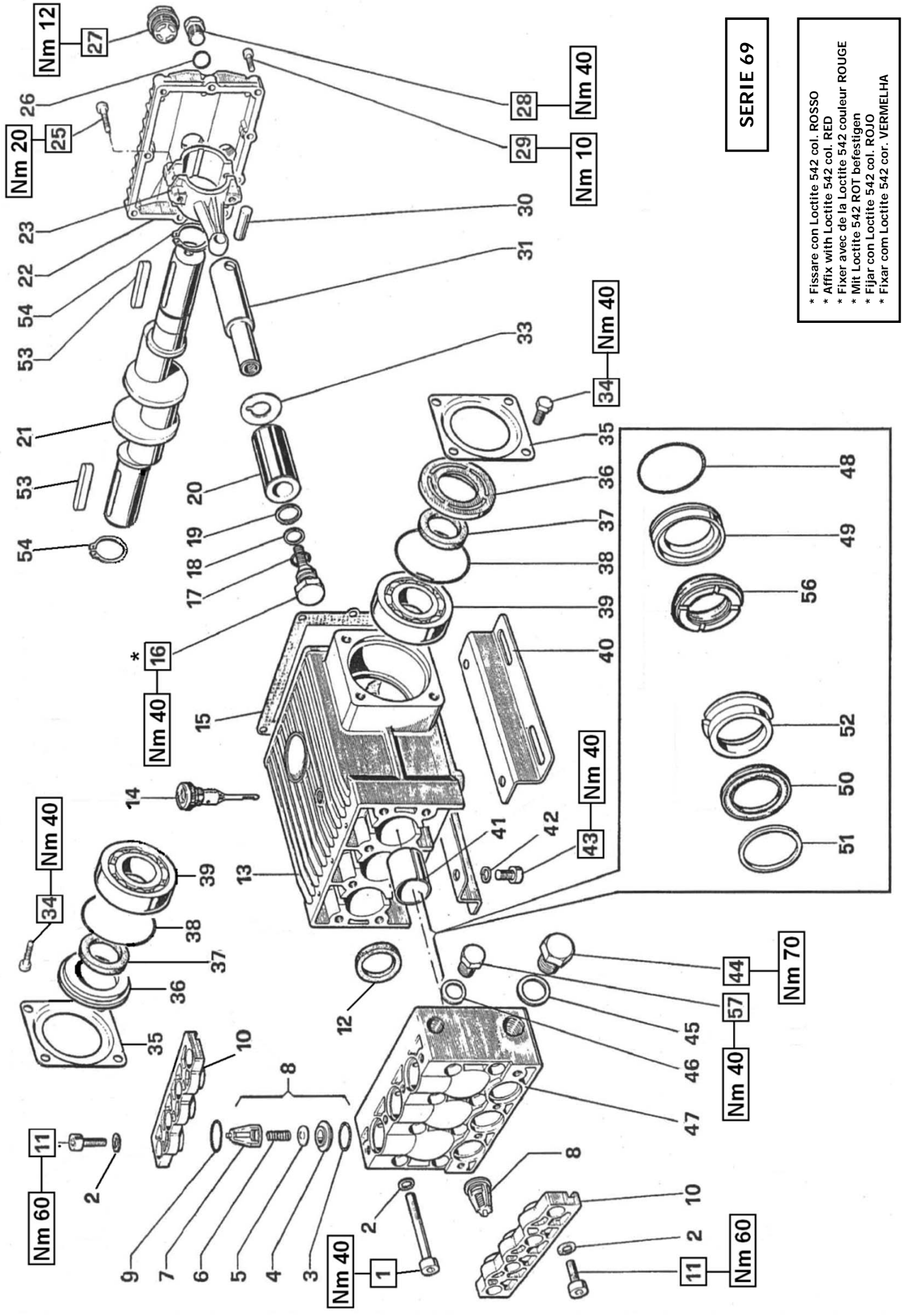
KIT Nr.	KIT 32	KIT 37	KIT 38	KIT 39	KIT 40	KIT 41	KIT 42	KIT 62	KIT 74
Posizioni include Positions included	37	12	50 - 56	48 - 49 50 - 51 52 - 56	48 - 49	51	52	3 - 4 5 - 6 7 (8)	16 - 17 18 - 19
Nr. Pcs.	2	3	3	1	3	6	3	6	3

POS	COD.	DESCRIZIONE – DESCRIPTION - KIT	NR
47	69.1200.22	Testata pompa D.36	1
48	90.3885.00	OR D. 45.69x2.62 NBR SH. 70 3181	3
49	69.0802.70	Anello di fondo D. 36	3
50	90.2820.00	Anello ten. alt. D. 36x48x6/3.5 HP 38-39	3
51	69.1002.93	Anello di testa D. 36	3
52	69.2168.70	Anello intermedi D. 36	3
53	91.4969.00	Linguetta 10x8x40 Uni 6604	1
54	90.0695.00	Anello d'arresto D. 35 UNI 7435	1
55	69.2116.51	Distanziale	1
56	90.2823.00	Anello ten. alt. D. 36x48x7.5 LP 38-39	3
57	98.2100.00	Tappo G 3/8"x13	1

POS	COD.	DESCRIZIONE – DESCRIPTION - KIT	NR
23	69.0300.01	Biella completa	3
25	99.3099.00	Vite M8x35 UNI 5931	6
26	90.3833.00	OR D. 13.95x2.62 NBR SH. 70 3056	1
27	97.5968.00	Spia livello olio G 3/4"	1
28	98.2100.50	Tappo G 3/8"x13 TE22 – Zinc.	1
29	99.1867.00	Vite M6x18 UNI 5931	9
30	97.7398.00	Spinotto D. 14x31.5	3
31	69.0500.22	Guida pistone	3
33	96.7565.00	Rosetta D. 22.3x41.2x0.5	3
34	99.3636.00	Vite M10x16 UNI 5739	8
35	68.1500.74	Coperchio laterale carter	2
36	69.2115.51	Distanziale	1
37	90.1672.00	Anello rad. D. 35.0x52.0x8.0	32
38	90.4131.00	OR D. 73.03x3.53 NBR SH. 70 176	2
39	91.8480.00	Cuscinetto a sfere	2
40	47.2000.74	Piedino pompa	2
41	90.9162.00	Boccola D. 32x36x40	3
42	96.7106.00	Rosetta D. 10.2 DIN 7980	4
43	99.3644.00	Vite M10x18 UNI 5931	4
44	98.2265.00	Tappo G 3/4"x16	1
45	96.7700.00	Rosetta D. 26.5x32.0x1.5	1
46	96.7380.00	Rosetta D. 17.5x23.0x1.5	1

W4 - T41	

POS	COD.	DESCRIZIONE – DESCRIPTION - KIT	NR
1	99.3787.00	Vite M10x80 UNI 5931	8
2	96.7104.00	Rosetta D. 10.5x16.0x1.0	16
3	90.3859.00	OR D. 25.07x2.62 NBR SH. 70 3100	62
4	36.2017.66	Sede valvola	62
5	36.2018.76	Valvola	62
6	94.7394.00	Molla Dm. 10.7x22.5	62
7	36.2008.51	Guida valvola	62
8	36.7060.01	Gr. valvola aspiraz./mandata	62
9	90.4055.00	OR D. 29.75x3.53 NBR SH. 70 4118	6
10	69.2180.22	Coperchio valvole	2
11	99.3671.00	Vite M10x25 UNI 5931	8
12	90.1656.00	Anello rad. D. 32.0x42.0x7.0	37
13	69.0100.22	Carter pompa	1
14	98.2106.00	Tappo carico olio G 3/8"	1
15	69.2119.84	Guarnizione coperchio posteriore	1
16	69.2195.66	Vite fissaggio pistone	74
17	90.3841.00	OR D. 17.13x2.62 NBR SH. 70 3068	74
18	90.5107.00	Anello antist. D. 17.4x22.0x1.5	74
19	96.7555.00	Rosetta D. 22.0x27.0x0.5	74
20	69.0400.09	Pistone D. 36x60	3
21	69.0205.35	Albero ecc. C.24	1
22	69.1600.22	Coperchio posteriore carter	1



SERIE 69

- * Fissare con Loctite 542 col. ROSSO
- * Affix with Loctite 542 col. RED
- * Fixer avec de la Loctite 542 couleur ROUGE
- * Mit Loctite 542 ROT befestigen
- * Fijar con Loctite 542 col. ROJO
- * Fixar con Loctite 542 cor. VERMELHA

KIT RICAMBI - SPARE KITS

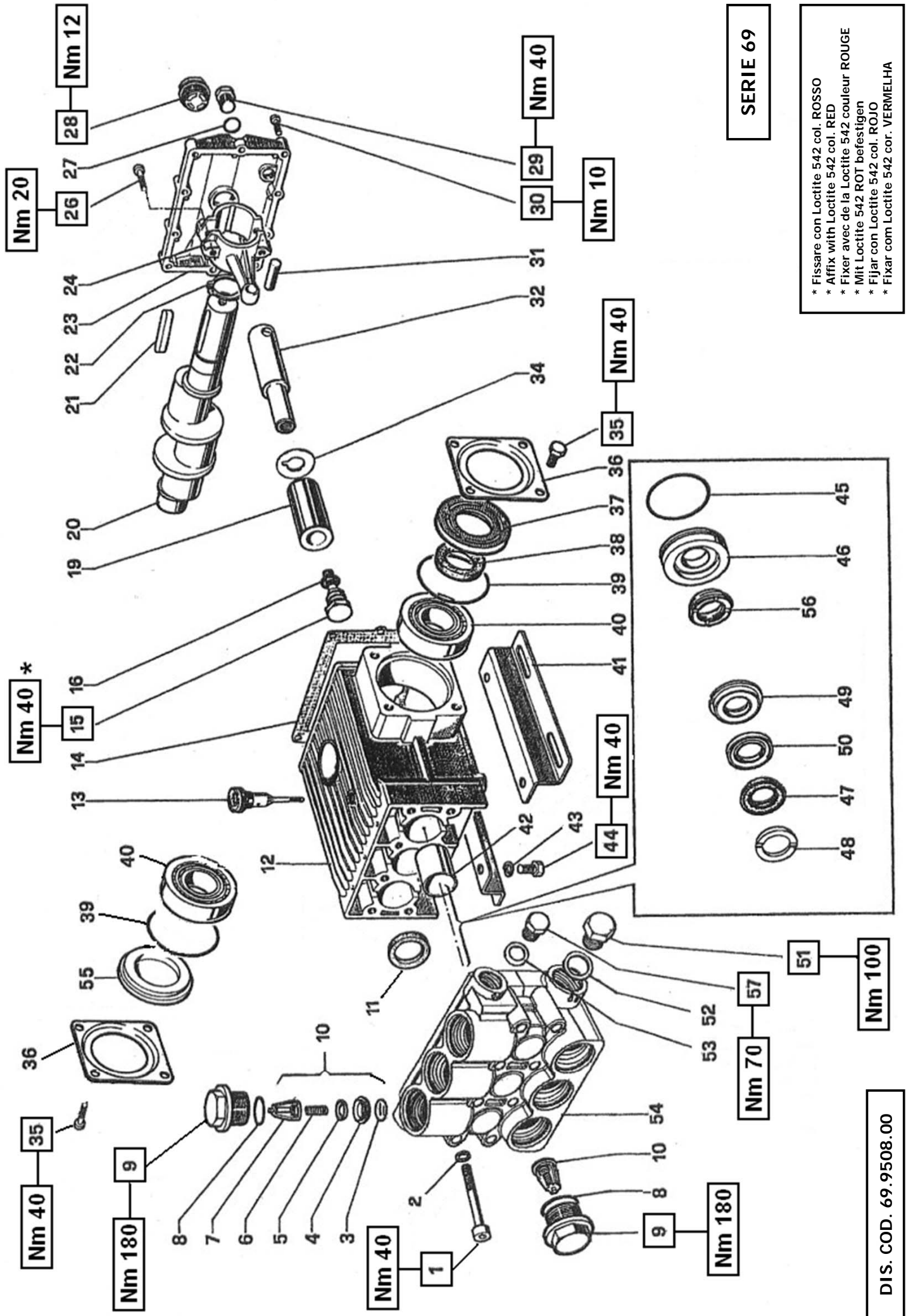
KIT Nr.	KIT 32	KIT 37	KIT 38	KIT 39	KIT 40	KIT 41	KIT 42	KIT 62	KIT 74
Posizioni include Positions included	37	12	50 - 56	48 - 49 50 - 51 52 - 56	48 - 49	51	52	3 - 4 5 - 6 7 (8)	16 - 17 18 - 19
Nr. Pcs.	2	3	3	1	3	6	3	6	3

POS	COD.	DESCRIZIONE - DESCRIPTION - KIT	NR
23	69.0300.01	Biella completa	3
25	99.3099.00	Vite M8x35 UNI 5931	6
26	90.3833.00	OR D. 13.95x2.62 NBR SH. 70 3056	1
27	97.5968.00	Spia livello olio G 3/4"	1
28	98.2100.50	Tappo G 3/8"x13 TE22 - Zinc.	1
29	99.1867.00	Vite M6x18 UNI 5931	9
30	97.7398.00	Spinotto D. 14x31.5	3
31	69.0500.22	Guida pistone	3
33	96.7565.00	Rosetta D. 22.3x41.2x0.5	3
34	99.3636.00	Vite M10x16 UNI 5739	8
35	68.1500.74	Coperchio laterale carter	2
36	69.2115.51	Distanziale	2
37	90.1672.00	Anello rad. D. 35.0x52.0x8.0	32
38	90.4131.00	OR D. 73.03x3.53 NBR SH. 70 176	2
39	91.8480.00	Cuscinetto a sfere	2
40	47.2000.74	Piedino pompa	2
41	90.9162.00	Boccola D. 32x36x40	3
42	96.7106.00	Rosetta D. 10.2 DIN 7980	4
43	99.3644.00	Vite M10x18 UNI 5931	4
44	98.2265.00	Tappo G 3/4"x16	1
45	96.7700.00	Rosetta D. 26.5x32.0x1.5	1
46	96.7380.00	Rosetta D. 17.5x23.0x1.5	1

POS	COD.	DESCRIZIONE - DESCRIPTION - KIT	NR
47	69.1200.22	Testata pompa	1
48	90.3885.00	OR D. 45.69x2.62 NBR SH. 70 3181 39-40	3
49	69.0802.70	Anello di fondo D. 36	39-40
50	90.2820.00	Anello ten. alt. D. 36x48x6/3.5 HP	38-39
51	69.1002.93	Anello di testa D. 36	39-41
52	69.2168.70	Anello intermedi D. 36	39-42
53	91.4969.00	Linguetta 10x8x40 Uni 6604	2
54	90.0695.00	Anello d'arresto D. 35 UNI 7435	2
56	90.2823.00	Anello ten. alt. D. 36x48x7.5 LP	38-39
57	98.2100.00	Tappo G 3/8"x13	1

POS	COD.	DESCRIZIONE - DESCRIPTION - KIT	NR
1	99.3787.00	Vite M10x80 UNI 5931	8
2	96.7104.00	Rosetta D. 10.5x16.0x1.0	16
3	90.3859.00	OR D. 25.07x2.62 NBR SH. 70 3100 62	6
4	36.2017.66	Sede valvola	62
5	36.2018.76	Valvola	62
6	94.7394.00	Molla Dm. 10.7x22.5	62
7	36.2008.51	Guida valvola	62
8	36.7060.01	Gr. valvola aspiraz./mandata	62
9	90.4055.00	OR D. 29.75x3.53 NBR SH. 70 4118	6
10	69.2180.22	Coperchio valvole	2
11	99.3671.00	Vite M10x25 UNI 5931	8
12	90.1656.00	Anello rad. D. 32.0x42.0x7.0	37
13	69.0100.22	Carter pompa	1
14	98.2106.00	Tappo carico olio G 3/8"	1
15	69.2119.84	Guarnizione coperchio posteriore	1
16	69.2195.66	Vite fissaggio pistone	74
17	90.3841.00	OR D. 17.13x2.62 NBR SH. 70 3068 74	3
18	90.5107.00	Anello antiest. D. 17.4x22.0x1.5	74
19	96.7555.00	Rosetta D. 22.0x27.0x0.5	74
20	69.0400.09	Pistone D. 36x60	3
21	69.0204.35	Albero ecc. C.24	1
22	69.1600.22	Coperchio posteriore carter	1

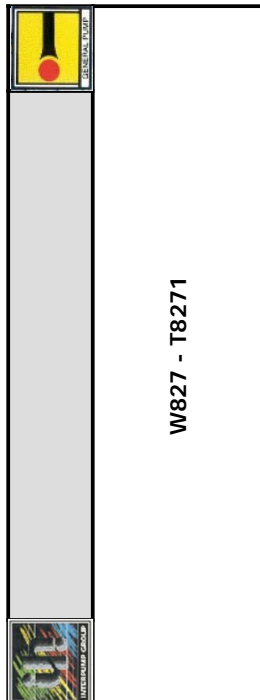
W4 - T41



SERIE 69

* Fissare con Loctite 542 col. ROSSO
 * Affix with Loctite 542 col. RED
 * Fixer avec de la Loctite 542 couleur ROUGE
 * Mit Loctite 542 ROT befestigen
 * Fijar con Loctite 542 col. ROJO
 * Fixar con Loctite 542 cor. VERMELHA

DIS. COD. 69.9508.00



W827 - T8271

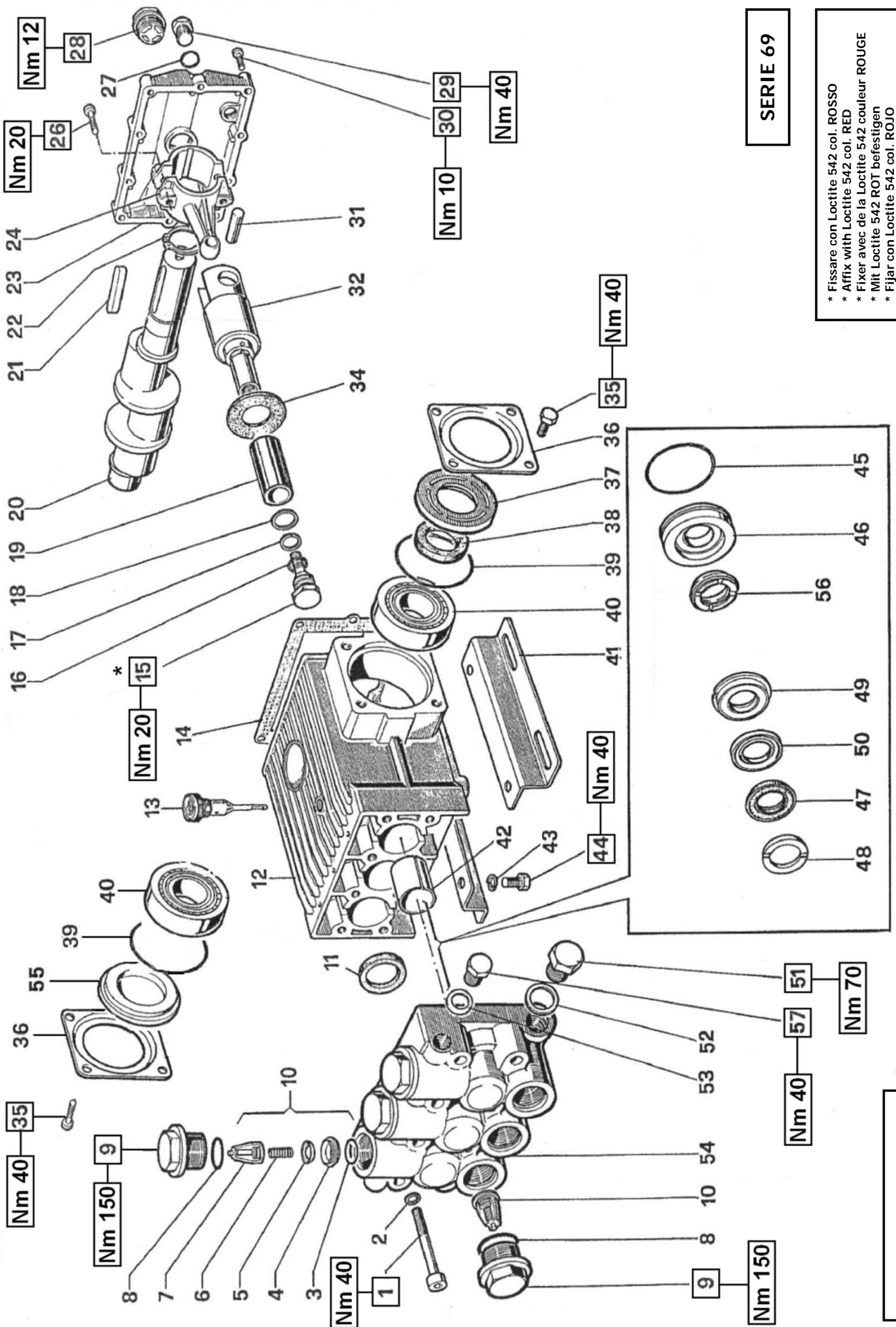
KIT RICAMBI – SPARE KITS

KIT Nr.	KIT 32	KIT 37	KIT 40	KIT 41	KIT 43	KIT 188	KIT 189	KIT 190
Posizioni incluse Positions included	38	11	45 - 46	48	3 - 4 5 - 6 7 (10)	49	45 - 46 47 - 48 49 - 50 56	47 - 50 56
Nr. Pcs.	2	3	3	3	6	3	1	3

POS	COD.	DESCRIZIONE – DESCRIPTION - KIT	NR
1	99.3810.00	Vite M10x95 UNI 5931	8
2	96.7104.00	Rosetta D. 10.5x16x1	8
3	90.4059.00	OR D. 32.93x3.53 NBR SH. 70 4131 43	6
4	36.2011.66	Sede valvola	43
5	36.2010.76	Valvola sferica	43
6	94.7450.00	Molla Dm. 16.0x27.5	43
7	36.2009.51	Guida valvola	43
8	90.4065.00	OR D. 37.69x3.53 NBR SH. 70 4150	6
9	98.2420.00	Tappo M42x1.5x53	6
10	36.7065.01	Gr. valvola aspiraz./mandata	43
11	90.1656.00	Anello rad. D. 32.0x42.0x7.0	37
12	69.0100.22	Carter pompa	1
13	98.2106.00	Tappo carico olio G 3/8"	1
14	69.2119.84	Guarnizione coperchio posteriore	1
15	69.2196.66	Vite fissaggio pistone	3
16	90.3859.00	OR D. 25.07x2.62 NBR SH. 70 3100	3
19	69.0400.09	Pistone D. 36x60	3
20	69.0205.35	Albero ecc. C.24	1
21	91.4969.00	Linguetta 10x8x40 UNI 6604	1
22	90.0695.00	Anello d'arresto D. 35 UNI 7435	1
23	69.1600.22	Coperchio posteriore carter	1
24	69.0304.01	Biella completa	3

POS	COD.	DESCRIZIONE – DESCRIPTION - KIT	NR
26	99.3099.00	Vite M8x35 UNI 5931	6
27	90.3833.00	OR D. 13.95x2.62 NBR SH. 70 3056	1
28	97.5968.00	Spia livello olio G 3/4"	1
29	98.2100.50	Tappo G 3/8"x13 TE22 – Zinc.	1
30	99.1867.00	Vite M6x18 UNI 5931	9
31	97.7398.00	Spinotto D. 14x31.5	3
32	69.0503.54	Guida pistone	3
34	96.7565.00	Rosetta D. 22.3x42.0x0.5	3
35	99.3636.00	Vite M10x16 UNI 5739	8
36	68.1500.74	Coperchio laterale carter	2
37	69.2115.51	Distanziale	1
38	90.1672.00	Anello rad. D. 35.0x52.0x8.0	32
39	90.4131.00	OR D. 73.03x3.53 NBR SH. 70 176	2
40	91.8482.00	Cuscinetto a rulli	2
41	47.2000.74	Piedino pompa	2
42	90.9162.00	Boccola D. 32x36x40	3
43	96.7106.00	Rosetta D. 10.5 DIN 7980	4
44	99.3644.00	Vite M10x18 UNI 5931	4
45	90.3885.00	OR D. 45.69x2.62 NBR SH. 70 3181 40-189	3
46	69.0802.70	Anello di fondo D. 36	40-189
47	90.2820.00	Anello ten. alt. D. 36x48x6/3.5 HP 189-190	3

POS	COD.	DESCRIZIONE – DESCRIPTION - KIT	NR
48	69.1002.93	Anello di testa D. 36	41-189
49	69.2170.70	Anello intermedio D. 36	188-189
50	90.2818.00	Anello RESTOP D. 36x48x6/3	189-190
51	98.2325.00	Tappo G 1"x17	1
52	96.7870.00	Rosetta D. 33.5x38.0x1.5	1
53	96.7700.00	Rosetta D. 26.5x32.0x1.5	1
54	69.1218.41	Testata pompa	1
55	69.2116.51	Distanziale	1
56	90.2823.00	Anello ten. alt. D. 36x48x7.5 LP	189-190
57	98.2265.00	Tappo G 3/4"x16	1



SERIE 69

* Fissare con Loctite 542 col. ROSSO
 * Affix with Loctite 542 col. RED
 * Fixer avec de la Loctite 542 couleur ROUGE
 * Mit Loctite 542 ROT befestigen
 * Fijar con Loctite 542 col. ROJO
 * Fixar com Loctite 542 cor. VERMELHA

DIS. COD. 69.9511.00



WS104 - WS153 - TS1041 - TS1531

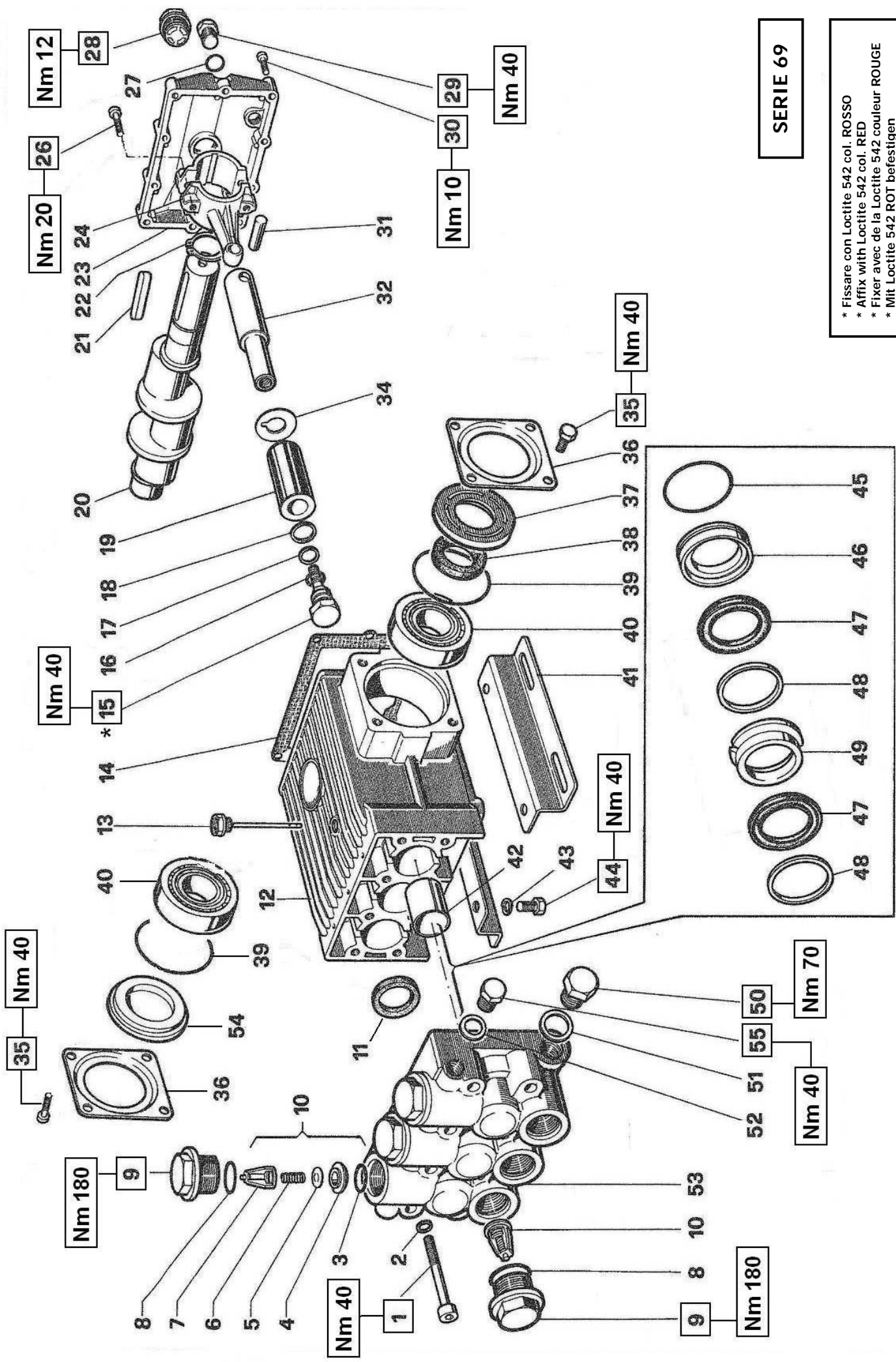
KIT RICAMBI - SPARE KITS

KIT Nr.	KIT 7	KIT 32	KIT 37	KIT 54	KIT 57	KIT 62	KIT 69	KIT 71	KIT 82
Posizioni include Positions included	48	38	11	15 - 16 17 - 18 34	45 - 46	3 - 4 5 - 6 7 (10)	47 - 50 56	49 - 50	45 - 46 47 - 48 49 - 50 56
Nr. Pcs.	6	2	3	3	3	6	3	3	1

POS	COD.	DESCRIZIONE - DESCRIPTION - KIT	NR
1	99.3787.00	Vite M10x80 UNI 5931	8
2	96.7104.00	Rosetta D. 10.5x16.0x1.0	8
3	90.3859.00	OR D. 25.07x2.62 NBR SH. 70 3100 62	6
4	36.2017.66	Sede valvola	62
5	36.2018.76	Valvola sferica	62
6	94.7394.00	Molla Dm. 10.7x22.5	62
7	36.2008.51	Guida valvola	62
8	90.4051.00	OR D. 26.58x3.53 NBR SH. 70 4106	6
9	98.2312.00	Tappo M32x20.5	6
10	36.7060.01	Gr. valvola aspiraz./mandata	62
11	90.1656.00	Anello rad. D. 32.0x42.0x7.0	37
12	69.0100.22	Carter pompa	1
13	98.2106.00	Tappo carico olio G 3/8"	1
14	69.2119.84	Guarnizione coperchio posteriore	1
15	69.2195.66	Vite fissaggio pistone	54
16	90.3885.00	OR D. 10.82x1.78 NBR SH. 70 3181 54	3
17	90.5067.00	Anello antiest. D. 11.0x14.0x1.5	54
18	96.7280.00	Rosetta D. 14.0x18.5x0.5	54
19	47.0404.09	Pistone D. 20x50	3
20	69.0210.35	Albero ecc. C.22	1
21	91.4969.00	Linguetta 10x8x40 UNI 6604	1
22	90.0695.00	Anello d'arresto D. 35 UNI 7435	1

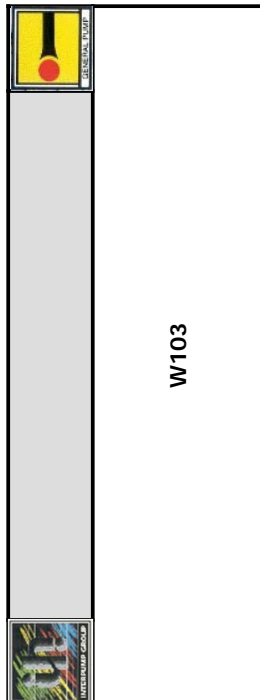
POS	COD.	DESCRIZIONE - DESCRIPTION - KIT	NR
23	69.1600.22	Coperchio posteriore carter	1
24	69.0300.01 69.0303.01	Biella completa - WS104 TS1041 Biella completa - WS153 TS1531	3
26	99.3099.00	Vite M8x35 UNI 5931	6
27	90.3833.00	OR D. 13.95x2.62 NBR SH. 70 3056	1
28	97.5968.00	Spia livello olio G 3/4"	1
29	98.2100.50	Tappo G 3/8"x13 TE22 - Zinc.	1
30	99.1867.00	Vite M6x18 UNI 5931	9
31	97.7398.00	Spinotto D. 14x31.5	3
32	69.0502.54	Guida pistone	3
34	69.2117.47	Anello di protezione	54
35	99.3636.00	Vite M10x16 UNI 5739	8
36	68.1500.74	Coperchio laterale carter	2
37	69.2115.51	Distanziale	1
38	90.1672.00	Anello rad. D. 35.0x52.0x8.0	32
39	90.4131.00	OR D. 73.03x3.53 NBR SH. 70 176	2
40	91.8480.00	Cuscinetto a sfere	2
41	47.2000.74	Piedino pompa	2
42	90.9162.00	Boccola D. 32x36x40	3
43	96.7106.00	Rosetta D. 10.5 DIN 7980	4
44	99.3644.00	Vite M10x18 UNI 5931	4
45	90.3885.00	OR D. 45.69x2.62 NBR SH. 70 3181 57-82	3

POS	COD.	DESCRIZIONE - DESCRIPTION - KIT	NR
46	69.0804.70	Anello di fondo D. 20	57-82
47	90.2705.00	Anello ten. alt. D. 20x35x7.5/4.5 HP 69-82	3
48	47.1000.51	Anello di testa D. 20	7-82
49	47.2169.70	Anello intermedio D. 20	71-82
50	90.2704.00	Anello RESTOP D. 20x35x5.5/2	69-71-82
51	98.2265.00	Tappo G 3/8"x16	1
52	96.7700.00	Rosetta D. 26.5x32.0x1.5	1
53	96.7380.00	Rosetta D. 17.5x23.0x1.5	1
54	69.1210.41	Testata pompa D.20	1
55	69.2116.51	Distanziale	1
56	90.2710.00	Anello ten. alt. D. 20x35x8.7 LP	69-82
57	98.2100.00	Tappo G 3/8"x13	1



SERIE 69

* Fissare con Loctite 542 col. ROSSO
 * Affix with Loctite 542 col. RED
 * Fixer avec de la Loctite 542 couleur ROUGE
 * Mit Loctite 542 ROT befestigen
 * Fijar con Loctite 542 col. ROJO
 * Fixar com Loctite 542 cor. VERMELHA



W103

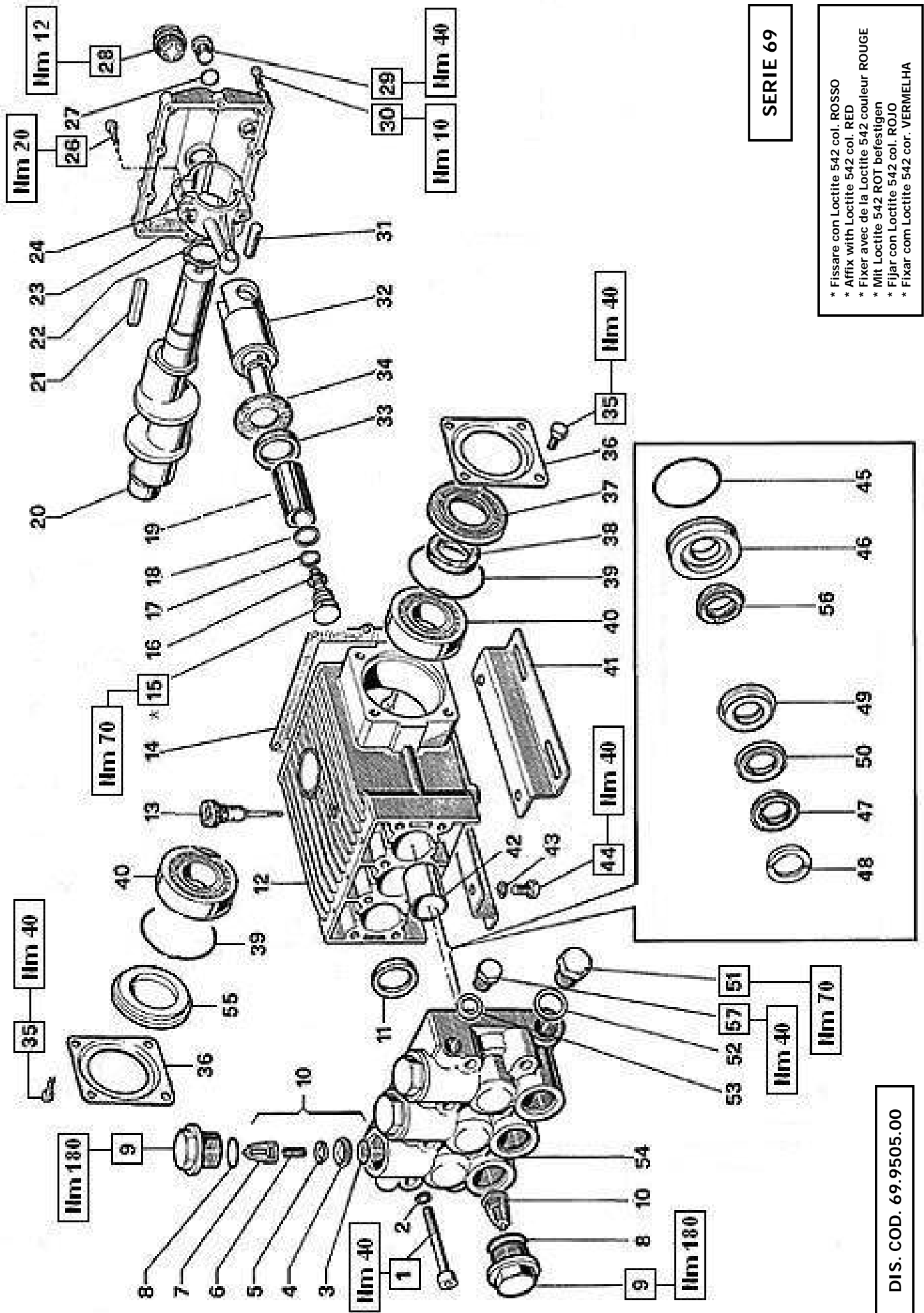
KIT RICAMBI – SPARE KITS

KIT Nr.	KIT 32	KIT 37	KIT 62	KIT 63	KIT 64	KIT 65	KIT 66	KIT 74	KIT 67
Posizioni incluse Positions included	38	11	3-4 5-6 7 (10)	47	45-46	48	49	15-16 17-18	45-46 47-48 49
Nr. Pcs.	2	3	6	6	3	6	3	3	1

POS	COD.	DESCRIZIONE – DESCRIPTION - KIT	NR
23	69.1600.22	Coperchio posteriore carter	1
24	69.0304.01	Biella	3
26	99.3099.00	Vite M8x35 UNI 5931	6
27	90.3833.00	OR D. 13.95x2.62 NBR SH. 70 3056	1
28	97.5968.00	Spia livello olio G 3/4"	1
29	98.2100.50	Tappo G 3/8"x13 TE22 – Zinc.	1
30	99.1867.00	Vite M6x18 UNI 5931	9
31	97.7398.00	Spinotto D. 14x31.5	3
32	69.0500.22	Guida pistone	3
34	96.7565.00	Rosetta D. 22.3x42.0x0.5	3
35	99.3636.00	Vite M10x16 UNI 5739	8
36	68.1500.74	Coperchio laterale carter	2
37	69.2115.51	Distanziale	1
38	90.1672.00	Anello rad. D. 35.0x52.0x8.0	32
39	90.4131.00	OR D. 73.03x3.53 NBR SH.70 176	2
40	91.8480.00	Cuscinetto a sfere	2
41	47.2000.74	Piedino pompa	2
42	90.9162.00	Boccola D. 32x36x40	3
43	96.7106.00	Rosetta D. 10.2 DIN 7980	4
44	99.3644.00	Vite M10x18 UNI 5931	4
45	90.3885.00	OR D. 45.69x2.62 NBR SH.70 3181 64-67	3

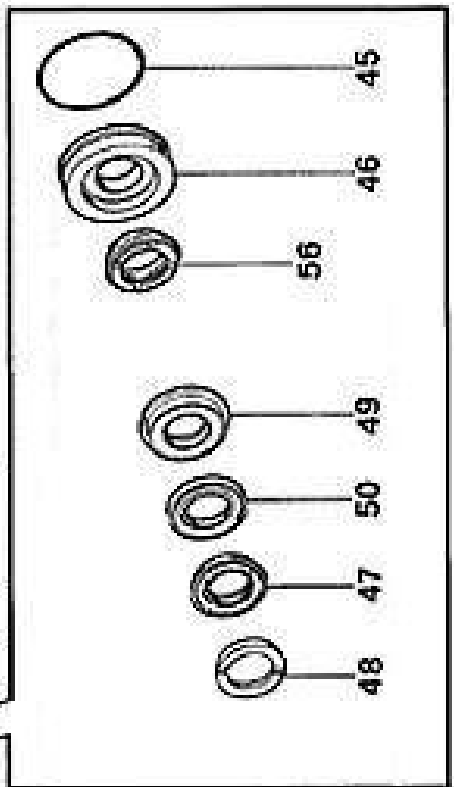
POS	COD.	DESCRIZIONE – DESCRIPTION - KIT	NR
46	69.0800.70	Anello di fondo D. 30	64-67
47	90.2770.00	An. ten. alt. D. 30x45x7.5/4.5 HP	63-67
48	69.1000.51	Anello di testa D. 30	65-67
49	69.2167.70	Anello intermedio D. 30	66-67
50	98.2265.00	Tappo G 3/4"x16	
51	96.7700.00	Rosetta D. 26.5x32.0x1.5	
52	96.7380.00	Rosetta D. 17.5x23.0x1.5	
53	69.1206.41	Testata pompa D. 30	
54	69.2116.51	Distanziale	
55	98.2100.00	Tappo G 3/8"x13	

POS	COD.	DESCRIZIONE – DESCRIPTION - KIT	NR
1	99.3787.00	Vite M10x80 UNI 5931	8
2	96.7104.00	Rosetta D. 10.5x16.0x1.0	8
3	90.3859.00	OR D. 25.07x2.62 NBR SH.70 3100 62	6
4	36.2017.66	Sede valvola	62
5	36.2018.76	Valvola sferica	62
6	94.7394.00	Molla Dm. 10.7x22.5	62
7	36.2008.51	Guida valvola	62
8	90.4051.00	OR D. 26.58x3.53 NBR SH.70 4106	6
9	98.2312.00	Tappo M32x20.5	6
10	36.7060.01	Gr. valvola aspiraz./mandata	62
11	90.1656.00	Anello rad. D. 32.0x42.0x7.0	37
12	69.0100.22	Carter pompa	1
13	98.2106.00	Tappo carico olio G 3/8"	1
14	69.2119.84	Guarnizione coperchio posteriore	1
15	69.2195.66	Vite fissaggio pistone	74
16	90.3841.00	OR D. 17.13x2.62 NBR SH.70 3068 74	3
17	90.5107.00	Anello antiest. D. 17.4x22.0x1.5	74
18	96.7555.00	Rosetta D. 22.0x27.0x0.5	74
19	69.0401.09	Pistone D. 30x60.5	3
20	69.0205.35	Albero ecc. C.24	1
21	91.4969.00	Linguetta 10x8x40 UNI 6604	1
22	90.0695.00	Anello d'arresto D. 35	1



SERIE 69

* Fissare con Loctite 542 col. ROSSO
 * Affix with Loctite 542 col. RED
 * Fixer avec de la Loctite 542 couleur ROUGE
 * Mit Loctite 542 ROT befestigen
 * Fijar con Loctite 542 col. ROJO
 * Fijar con Loctite 542 cor. VERMELHA



DIS. COD. 69.9505.00

KIT RICAMBI – SPARE KITS

W103CW	
---------------	--

KIT Nr.	KIT 32	KIT 37	KIT 62	KIT 64	KIT 65	KIT 74	KIT 113
Posizioni incluse Positions included	38	11	3 - 4 5 - 6 7 (10)	45 - 46	48	15 - 16 17 - 18	47 - 50 56
Nr. Pcs.	2	3	6	3	6	3	3

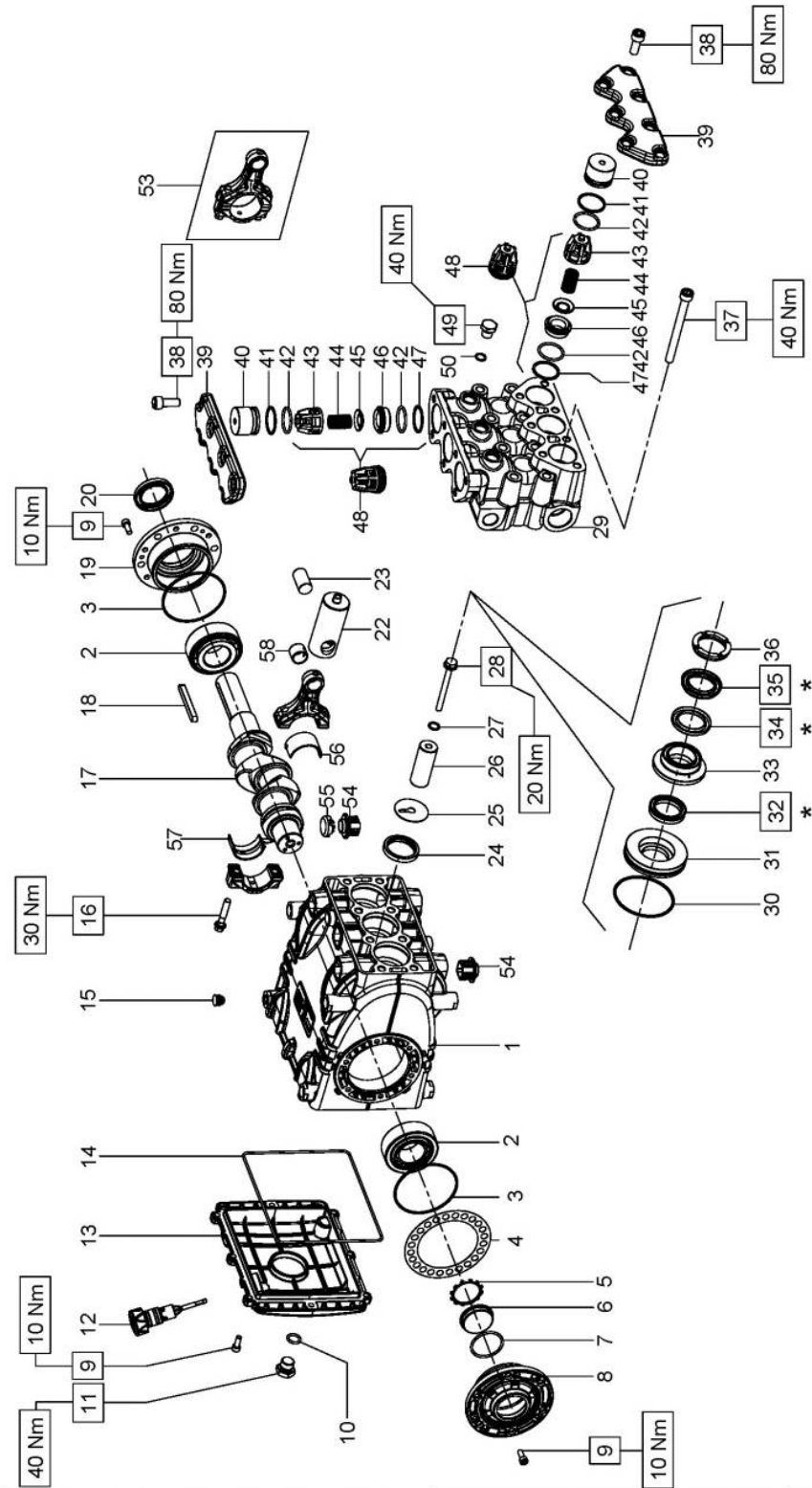
POS	COD.	DESCRIZIONE – DESCRIPTION - KIT	NR
1	99.3801.00	Vite M10x90 UNI 5931	8
2	96.7104.00	Rosetta D. 10.5x16.0x1.0	8
3	90.3859.00	OR D. 25.07x2.62 NBR SH.70 3100	62
4	36.2017.66	Sede valvola	62
5	36.2018.76	Valvola sferica	62
6	94.7394.00	Molla Dm. 10.7x22.5	62
7	36.2008.51	Guida valvola	62
8	90.4051.00	OR D. 26.58x3.53 NBR SH.70 4106	6
9	98.2312.00	Tappo M32x2x20.5	6
10	36.7060.01	Gr. valvola aspiraz./mandata	62
11	90.1656.00	Anello rad. D. 32.0x42.0x7.0	37
12	69.0100.22	Carter pompa	1
13	98.2106.00	Tappo carico olio G 3/8"	1
14	69.2119.84	Guarnizione coperchio posteriore	1
15	69.2195.66	Vite fissaggio pistone	74
16	90.3841.00	OR D. 17.13x2.62 NBR SH.70 3068	74
17	90.5107.00	Anello antist. D. 17.4x22.0x1.5	74
18	96.7555.00	Rosetta D. 22.0x27.0x0.5	74
19	69.0401.09	Pistone D. 30x60.5	3
20	69.0205.35	Albero ecc. C.24	1
21	91.4969.00	Linguetta 10x8x40 UNI 6604	1

POS	COD.	DESCRIZIONE – DESCRIPTION - KIT	NR
22	90.0695.00	Anello d'arresto D. 35	1
23	69.1600.22	Coperchio posteriore carter	1
24	69.0304.01	Biella	3
26	99.3099.00	Vite M8x35 UNI 5931	6
27	90.3833.00	OR D. 13.95x2.62 NBR SH. 70 3056	1
28	97.5968.00	Spia livello olio G 3/4"	1
29	98.2100.50	Tappo G 3/8"x13 TE22 – Zinc.	1
30	99.1867.00	Vite M6x18 UNI 5931	9
31	97.7398.00	Spinotto D. 14x31.5	3
32	69.0503.54	Guida pistone	3
33	69.2114.70	Distanziale D. 22x29.7x4.5	3
34	96.7565.00	Rosetta D. 22.3x42.0x0.5	3
35	99.3636.00	Vite M10x16 UNI 5739	8
36	68.1500.74	Coperchio laterale carter	2
37	69.2115.51	Distanziale	1
38	90.1672.00	Anello rad. D. 35.0x52.0x8.0	32
39	90.4131.00	OR D. 73.03x3.53 NBR SH.70 176	2
40	91.8481.00	Cuscinetto a sfere	2
41	47.2000.74	Piedino pompa	2
42	90.9162.00	Boccola D. 32x36x40	3
43	96.7106.00	Rosetta D. 10.2 DIN 7980	4
44	99.3644.00	Vite M10x18 UNI 5931	4

POS	COD.	DESCRIZIONE – DESCRIPTION - KIT	NR
45	90.3885.00	OR D. 45.69x2.62 NBR SH.70 3181	64
46	69.0800.70	Anello di fondo D. 30	64
47	90.2770.00	An. ten. alt. D. 30x45x7.5/4.5 HP	113
48	69.1000.51	Anello di testa D. 30	65
49	69.2167.70	Anello intermedio D. 30	66
50	90.2774.00	Anello RESTOP D.30x45x8/4.5	113
51	98.2265.00	Tappo G 3/4"x16	1
52	96.7700.00	Rosetta D. 26.5x32.0x1.5	1
53	96.7380.00	Rosetta D. 17.5x23.0x1.5	1
54	69.1207.41	Testata pompa D.30	1
55	69.2116.51	Distanziale	1
56	90.2776.00	An. ten. alt. D. 30x45x9.5 LP	113
57	98.2100.00	Tappo G 3/8"x13	1

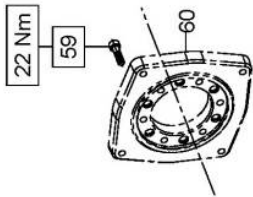
DIS. COD. 70.9511.00

SERIE 70



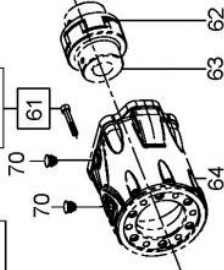
Flangia tipo "A" per azionamenti diretti

OPTIONAL



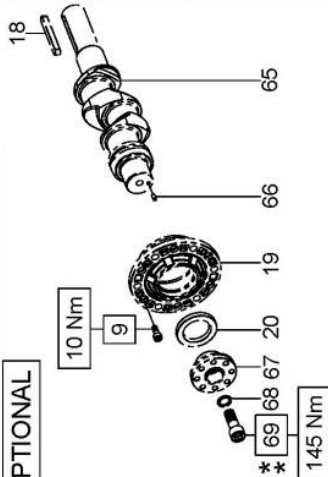
Campana e Giunto per accoppiamenti a motori idraulici SAE B

OPTIONAL



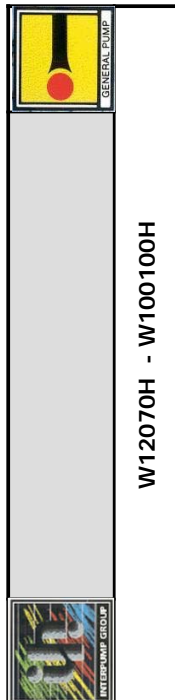
Presca di forza ausiliare su lato opposto azionamento

OPTIONAL



* Lubrificare con grasso al silicone.
 * Lubricate with silicon grease.
 * Graisser avec de la graisse su silicone.
 * Schmierer mit Silikonfett.
 * Lubrique com graxa de silicona.
 * Lubrifique com graxa de silicone.

** Fissare con Loctite 243 col. BLU
 ** Affix with Loctite 243 col. BLUE
 ** Fixer avec de la Loctite 243 couleur BLUE
 ** Mit Loctite 243 BLAU befestigen
 ** Fijar con Loctite 243 col. AZUL
 ** Fixar com Loctite 243 cor. BLUE



W12070H - W100100H

PISTON D. 30	
W12070H	W100100H

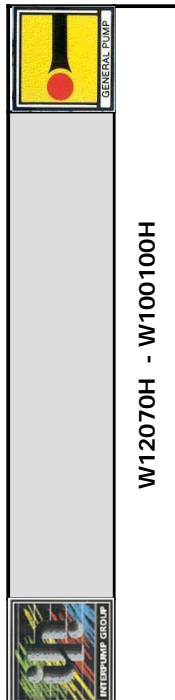
POS	COD.	DESCRIZIONE - DESCRIPTION - KIT	NR
1	70.0100.22	Carter pompa	1
2	91.8477.00	Cuscinetto a rulli	2
3	90.3915.00	OR D. 80.6x2.62 NBR SH. 70 3318 2011-2134	2
4	70.2200.81 70.2203.81	Spessore 0.1 mm. Spessore 0.25 mm.	-
5	90.0756.00	Anello d'arresto Z145 2011-2134	1
6	70.2118.01	Spia livello olio 2011-2134	1
7	90.3877.00	OR D. 39.34x2.62NBR SH. 70 3156 2011-2134	1
8	70.1501.22	Coperchio cuscinetto lato spia	1
9	99.1854.00	Vite M6x16 UNI 5931	20
10	90.3833.00	OR D. 13.95x2.62 NBR SH. 70 3056 2011-2134	1
11	98.2100.50	Tappo G 3/8"x13 ZINC.	1
12	98.2115.00	Tappo con asta D. 21.5x70	1
13	70.1600.22	Coperchio posteriore carter	1
14	90.3942.00	OR D. 190.17x2.62 NBR SH. 70 3750 2011-2134	1
15	98.2005.00	Tappo per foro D. 15	5
16	99.3123.00	Vite serraggio biella	6
17	70.0200.35	Albero ecc. C.23	1
18	91.4900.00	Linguetta 8x7x70 UNI 6604	1
19	70.1500.22	Coperchio cuscinetto lato PTO	1
20	90.1668.00	An. rad. D. 35.0x52.0x7.0 2011-2134	1
22	70.0500.15	Guida pistone	3
23	97.7420.00	Spinotto D. 18x36	3

KIT RICAMBI - SPARE KITS

KIT NR.	PISTONE - PISTON D. 30			PISTONE - PISTON D. 36		
	KIT 2030	KIT 2156 2157 2158	KIT 2010	KIT 2011	KIT 2133	KIT 2134
Posizioni include Positions included	42 - 43 44 - 45 46 - 47 (48)	56 - 57	30 - 32 34 - 35	3 - 5 - 6 - 7 - 10 14 - 20 - 24 - 27 30 - 32 - 34 - 35 41 - 42 - 47 - 50	30 - 32 34 - 35	3 - 5 - 6 - 7 - 10 14 - 20 - 24 - 27 30 - 32 - 34 - 35 41 - 42 - 47 - 50
Nr. Pcs.	6	3	3	1	3	1

POS	COD.	DESCRIZIONE - DESCRIPTION - KIT	NR
24	90.1677.00	Anello rad. D. 36.0x47.0x6/7.5 2011-2134	3
25	96.7099.00	Rosetta D. 10.0x45.0x1.0	3
26	70.0404.09 70.0405.09	Pistone D. 30x62 Pistone D. 36x62	3
27	90.3584.00	OR D. 10.82x1.78 NBR SH. 70 2043 2011-2134	3
28	70.2241.36	Vite fissaggio pistone	3
29	70.1244.41 70.1241.41	Testata per pistone D. 30 Testata per pistone D. 36	1
30	90.3626.00	OR D. 50.52x1.78 NBR SH. 70 2200 2010-2133-2011-2134	3
31	70.0804.70 70.0812.70	Anello di fondo D. 30 Anello di fondo D. 36	3
32	90.2760.00 90.2798.00	Anello ten. alt. D. 30x38.5.5 LP 2010-2011 Anello ten. alt. D. 36x44.5.5 LP 2133-2134	3
33	70.2164.70 70.2224.70	Anello intermedio D. 30 Anello intermedio D. 36	3
34	90.2774.00 90.2818.00	Anello RESTOP D. 30x45x8/4.5 2010-2011 Anello RESTOP D. 36x48x6/3 2133-2134	3
35	90.2770.00 90.2820.00	An. ten. alt.D. 30x45x7/4.5 HP 2010-2011 An. ten. alt.D. 36x48x6/3.5 HP 2133-2134	3
36	70.1004.51 71.1002.51	Anello di testa pistone D. 30 Anello di testa pistone D. 36	3
37	99.3816.00	Vite M10x110 UNI 5931	8
38	99.3671.00	Vite M10x25 UNI 5931	14

POS	COD.	DESCRIZIONE - DESCRIPTION - KIT	NR
39	70.2219.41 70.2223.41	Coperchio valvole - W12070H Coperchio valvole - W100100H	1
40	70.2116.70	Tappo valvole	6
41	90.5180.00	An. antiest. D. 32.4x36.5x1.5 2011-2134	6
42	90.3865.00	OR D. 29.82x2.62 NBR SH. 70 3118 2030-2011-2134	12
43	36.2047.05	Guida valvola	2030
44	94.7450.00	Molla Dm. 16x27.5	2030
45	36.2010.76	Valvola sferica	2030
46	36.2048.66	Sede valvola	2030
47	90.5178.00	Anello antiest. D. 31.0x35.5x1.5 2030-2211-2134	6
48	36.7143.01	Gr. valvola aspiraz./mandata	2030
49	98.2043.00 98.2099.00	Tappo G 1/4"x13 - W12070H Tappo G 3/8"x13 - W100100H	3
50	90.3585.00	OR D. 10.82x1.78 NBR SH. 70 2043 22011-2134	3
53	70.0305.01	Biella completa	3
54	70.2225.51	Tappo carter	6
55	71.2259.51	Cappuccio tappo carter	3
56	90.9220.00 90.9221.00 90.9222.00	Semiboc. testa biella - Sup. 2156 Semiboc. testa biella + 0.25 - Sup. 2157 Semiboc. testa biella + 0.50 - Sup. 2158	3
57	90.9223.00 90.9224.00 90.9225.00	Semiboc. testa biella - Inf. 2156 Semiboc. testa biella + 0.25 - Inf. 2157 Semiboc. testa biella + 0.50 - Inf. 2158	3
58	90.9100.00	Boccola piede biella	3



W12070H - W100100H

PISTON D. 30	PISTON D. 36
W12070H	W100100H

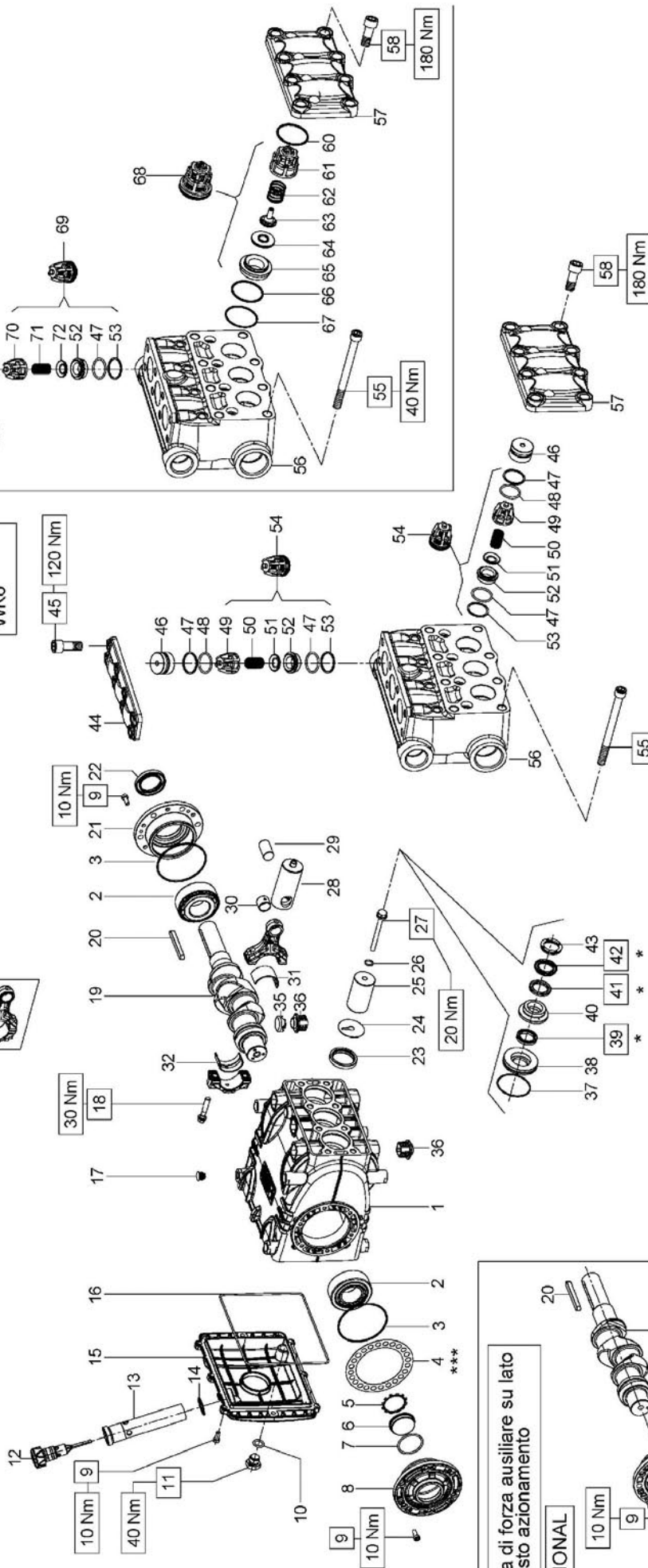
POS	COD.	DESCRIZIONE – DESCRIPTION - KIT	NR
AZIONAMENTI SPECIALI – SPECIAL DRIVES			
AZIONAMENTO DIRETTO CON FLANGIA TIPO A DIRECT DRIVE WITH FLANGE TYPE A			
59	99.3084.00	Vite M8x30 UNI 5931	6
60	10.0673.20	Flangia motore idraulico tipo A	1
AZIONAMENTO IDRAULICO CON CAMPANA E GIUNTO SAE-B HYDRAULIC DRIVE WITH FLANGE AND FLEXIBLE COUPLING SAE-B			
70	98.2060.00	Tappo per foro D. 15	2
61	99.3136.00	Vite M8x45 UNI 5931	6
62	10.0755.47	Elemento elastico giunto D. 46	1
63	10.7430.01	Giunto elastico D. 30x25.4	1
64	10.0752.20	Flangia motore idraulico SAE-B	1
AZIONAMENTO CON PRESA DI FORZA AUSILIARE DRIVE WITH AUXILIARY PTO			
9	99.1854.00	Vite M6x16 UNI 5931	6
18	91.4900.00	Linguetta 8x7x70 UNI 6604	1
19	70.1500.22	Coperchio cuscinetto lato PTO	1
20	90.1668.00	Anello rad. D. 35.0x52.0x7.0	1
65	70.0205.35	Albero ecc. C.23	1
66	97.6152.00	Spina D. 5x10	1
67	70.2234.54	Dispositivo doppio PTO	1
68	96.7160.00	Rosetta D. 12.0x18.0x1.0	1
69	99.4295.00	Vite M12x35 UNI 5931	1

KIT RICAMBI - SPARE KITS

KIT NR.	KIT 2030			KIT 2156 2157 2158			PISTONE - PISTON D. 30			PISTONE - PISTON D. 36		
	KIT 2030	KIT 2030	KIT 2030	KIT 2156 2157 2158	KIT 2156 2157 2158	KIT 2156 2157 2158	KIT 2010	KIT 2011	KIT 2011	KIT 2133	KIT 2134	
Posizioni include Positions included	42 - 43 44 - 45 46 - 47 (48)			56 - 57			30 - 32 34 - 35	3 - 5 - 6 - 7 - 10 14 - 20 - 24 - 27 30 - 32 - 34 - 35 41 - 42 - 47 - 50		30 - 32 34 - 35	3 - 5 - 6 - 7 - 10 14 - 20 - 24 - 27 30 - 32 - 34 - 35 41 - 42 - 47 - 50	
Nr. Pcs.	6			3			3	1		3	1	



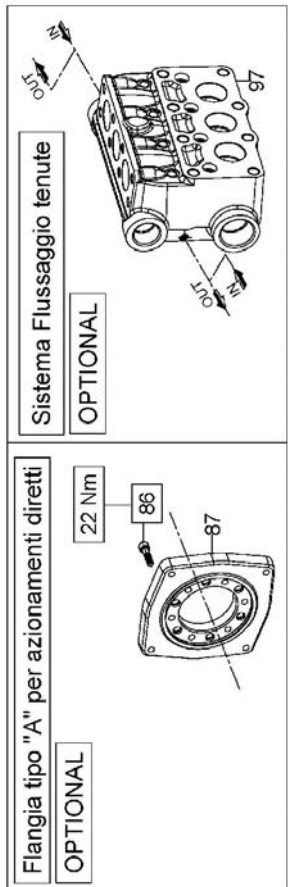
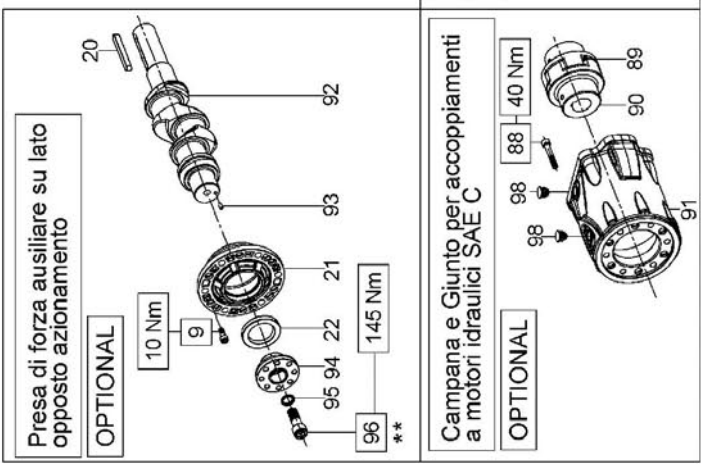
COD. DIS. 70.9514.00



VERSIONI:
WK8

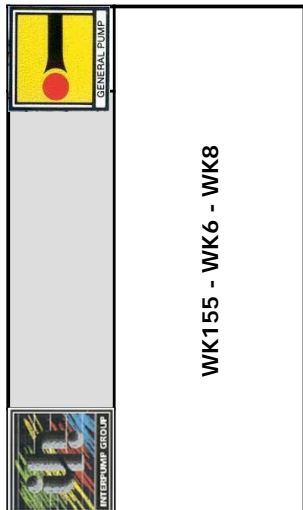
VERSIONI:
WK155
WK6

WK
SERIE 70



* Lubrificare con grasso al silicone.
* Lubricate with silicon grease.
* Graisser avec de la graisse su silicone.
* Schmierien mit Silikonfett.
* Lubrique con grasa de silicona.
* Lubrifique com graxa de silicone.

** Fissare con Loctite 243 col. BLU
** Affix with Loctite 243 col. BLUE
** Fixer avec de la Loctite 243 couleur BLUE
** Mit Loctite 243 BLAU befestigen
** Fijar con Loctite 243 col. AZUL
** Fixar com Loctite 243 cor. BLUE



WK155 - WK6 - WK8

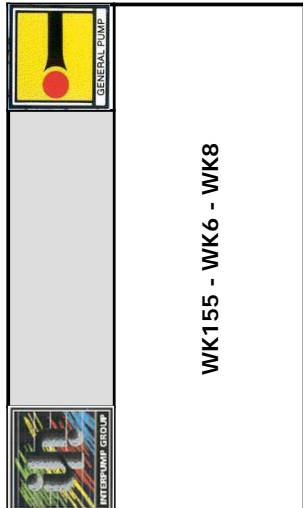
KIT RICAMBI - SPARE KITS

KIT NR.		KIT 2246	KIT 2247	KIT 2259	KIT 2156 2157 - 2158	KIT 2010	KIT 2252	PISTONE - PISTON D. 30		PISTONE - PISTON D. 32		PISTONE - PISTON D. 36	
Posizioni include Positions included		47 - 49 50 - 51 52 - 53 (54)	61 - 62 63 - 64 65 - 66 67 (68)	47 - 52 53 - 70 71 - 72 (69)	31 - 32	37 - 39 41 - 42	3 - 5 - 7 10 - 14 - 16 22 - 23 - 26 37 - 39 - 41 42 - 47 - 48 53	KIT 2248	KIT 2253	KIT 2248	KIT 2253	KIT 2133	KIT 2254
Nr. Pcs.		3	3	3	3	3	1	3	1	3	1	3	1

PISTON - D. 30		PISTON - D. 32		PISTON D. 36	
WK155		WK6		WK8	
POS	COD.	DESCRIZIONE - DESCRIPTION - KIT	KIT	NR	NR
1	70.0100.22	Carter pompa		1	1
2	91.8477.00	Cuscinetto a rulli		2	2
3	90.3915.00	OR D. 80.6x2.62 NBR SH. 70 3318 2252-2253-2254		2	2
4	70.2200.81 70.2203.81	Spessore 0.1 mm. Spessore 0.25 mm.		-	-
5	90.0756.00	Anello d'arresto ZJ45	2252-2253-2254	1	1
6	70.2118.01	Spia livello olio		1	1
7	90.3877.00	OR D. 39.34x2.62 NBR SH. 70 3156 2252-2253-2254		1	1
8	70.1501.22	Coperchio cuscinetto lato spia		1	1
9	99.1854.00	Vite M6x16 UNI 5931		20	20
10	90.3833.00	OR D. 13.95x2.62 NBR SH. 70 3056 2252-2253-2254		1	1
11	98.2100.50	Tappo G 3/8"x13 - Zinc.		1	1
12	98.2115.00	Tappo con asta D. 21.5x70		1	1
13	72.2106.95	Tube per asta livello olio		1	1
14	90.3604.00	OR D. 25.12x1.78 NBR SH. 70 2100 2252-2253-2254		1	1
15	70.1606.22	Coperchio posteriore carter		1	1
16	90.3942.00	OR D. 190.17x2.62 NBR SH. 70 3750 2252-2253-2254		1	1

POS	COD.	DESCRIZIONE - DESCRIPTION - KIT	KIT	NR	NR
17	98.2005.00	Tappo per foro D. 15		5	5
18	99.3123.00	Vite serraggio biella		6	6
19	70.0206.35	Albero ecc. C.26		1	1
20	91.4900.00	Linguetta 8.0x7.0x70.0 UNI 6604		1	1
21	70.1500.22	Coperchio cuscinetto lato PTO		1	1
22	90.1668.00	An. rad. D. 35.0x52.0x7.0 2252-2253-2254		1	1
23	90.1677.00	An. rad. D. 36.0x47.0x6.0/7.5 2252-2253-2254		3	3
24	96.7099.00	Rosetta D. 10x45x1		3	3
25	70.0404.09 70.0413.09 70.0405.09	Pistone D. 30x63 Pistone D. 32x63 pistone D. 36x63		3	3
26	90.3584.00	OR D. 10.82x1.78 NBR SH. 90 2043 2252-2253-2254		3	3
27	70.2241.36	Vite fissaggio pistone		3	3
28	70.0500.15	Guida pistone		3	3
29	97.7420.00	Spinotto D. 18x36		3	3
30	90.9100.00	Boccola piede biella		3	3
31	90.9220.00 90.9221.00 90.9222.00	Semiboc. testa biella - sup. 2156 Semiboc. testa biella +0.25 - sup.2157 Semiboc. testa biella +0.50 - sup.2158		3	3
32	90.9223.00 90.9224.00 90.9225.00	Semiboc. testa biella - Inf. 2156 Semiboc. testa biella +0.25 - Inf. 2157 Semiboc. testa biella +0.50 - Inf. 2158		3	3
34	70.0305.11	Biella - Completa		3	3
35	71.2259.51	Cappuccio tappo carter		3	3

POS	COD.	DESCRIZIONE - DESCRIPTION - KIT	KIT	NR	NR
36	70.2225.51	Tappo carter		6	6
37	90.3626.00	OR D. 50.52x1.78 NBR SH. 70 2200 2010-2133-2248-2252-2253-2254		3	3
38	70.0804.70 70.0822.70 70.0812.70	Anello di fondo D. 30 Anello di fondo D. 32 Anello di fondo D. 36		3	3
39	90.2760.00 90.2780.00 90.2798.00	An. ten. alt. D. 30x38.5.5 LP 2010-2252 An. ten. alt. D.32x40.5.5 LP 2248-2253 An. ten. alt. D.36x44x5.5 LP 2133-2254		3	3
40	70.2164.70 70.2252.70 70.2224.70	Anello intermedio D. 30 Anello intermedio D. 32 Anello intermedio D. 36		3	3
41	90.2774.00 90.2784.00 90.2818.00	An. RESTOP D. 30.0x45.0x8.0/4.5 2010-2252 An. RESTOP D. 32.0x44.0x5.5/3.0 2248-2253 An. RESTOP D. 36.0x48.0x6.0/3.0 2133-2254		3	3
42	90.2770.00 90.2788.00 90.2820.00	An. ten. alt. D. 30x45x7.5/4.5 HP 2010-2252 An. ten. alt. D. 32x44x6/3.5 HP 2248-2253 An. ten. alt. D. 36x48x6/3.5 HP 2133-2254		3	3
43	70.1004.51 72.1000.51 71.1002.51	Anello di testa D. 30 Anello di testa D. 32 Anello di testa D. 36		3	3
44	70.2251.15	Coperchio valvole di mandata		1	1
45	99.4295.00	Vite M12x35 UNI 4762		8	8
46	70.2253.70	Tappo valvole		6	6
47	90.3865.00	OR D. 29.82x2.62 NBR SH. 90 3118 2246-2252-2253-2254-2259		12+3	12+3
48	90.5180.00	Anello antiest. D. 32.4x36.5x1.5 2252-2253		6	6



WK155 - WK6 - WK8

KIT RICAMBI - SPARE KITS

KIT NR.	KIT 2246	KIT 2247	KIT 2259	KIT 2156 2157 - 2158	PISTONE - PISTON D. 30		PISTONE - PISTON D. 32		PISTONE - PISTON D. 36						
					KIT 2010	KIT 2252	KIT 2248	KIT 2253	KIT 2133	KIT 2254					
Posizioni include Positions included	47 - 49 50 - 51 52 - 53 (54)	61 - 62 63 - 64 65 - 66 67 (68)	47 - 52 53 - 70 71 - 72 (69)	31 - 32	3 - 5 - 7 10 - 14 - 16 22 - 23 - 26 37 - 39 - 41 42 - 47 - 48 53	37 - 39 41 - 42	3 - 5 - 7 10 - 14 - 16 22 - 23 - 26 37 - 39 - 41 42 - 47 - 48 53	37 - 39 41 - 42	3 - 5 - 7 - 10 14 - 16 - 22 23 - 26 - 37 39 - 41 - 42 47 - 53 - 59 60 - 66 - 67	3	1	3	1	3	1
Nr. Pcs.	3	3	3	3	3	3	3	3	3	3	3	3	3	3	3

PISTON - D. 30	PISTON - D. 32	PISTON D. 36
WK155	WK6	WK8

POS	COD.	DESCRIZIONE - DESCRIPTION - KIT	NR
66	90.3880.00	OR D. 42.52x2.62 NBR SH. 70 3168 2247-2254	3
67	90.5233.00	An. antiest. D. 43.5x48.0x1.5 2247-2254	3
68	36.7207.01	Gr. Valvola d'aspirazione	2247
69	36.7229.01	Gr. Valvola di mandata	2259
70	36.2009.51	Guida valvola	2259
71	94.7451.00	Molla Dm. 16x37 INOX	2259
72	36.2010.76	Valvola sferica	2259
CON SISTEMA FLUSHING - FLUSHING SYSTEM			
97	-	Testata pompa - FLUSHING	1
AZIONAMENTI SPECIALI - SPECIAL DRIVES			
AZIONAMENTO DIRETTO CON FLANGIA TIPO A DIRECT DRIVE WITH FLANGE TYPE A			
86	99.3084.00	Vite M8x30 UNI 5931	6
87	10.0673.20	Flangia motore idraulico tipo A	1
AZIONAMENTO IDRAULICO CON CAMPANA E GIUNTO SAE-B HYDRAULIC DRIVE WITH FLANGE AND FLEXIBLE COUPLING SAE-B			
88	99.3136.00	Vite M8x45 UNI 5931	6
89	10.0755.47	Elemento elastico giunto D. 46	1
90	10.7430.01	Giunto elastico D. 30x25.4	1
91	10.0752.20	Flangia motore idraulico SAE-B	1
98	98.2060.00	Tappo per foro D. 15	2

AZIONAMENTO CON PRESA DI FORZA AUSILIARE DRIVE WITH AUXILIARY PTO			
POS	COD.	DESCRIZIONE - DESCRIPTION - KIT	NR
9	99.1854.00	Vite M6x16 UNI 5931	6
20	91.4900.00	Linguetta 8x7x70 UNI 6604	1
21	70.1500.22	Coperchio cuscinetto lato PTO	1
22	90.1668.00	Anello rad. D. 35.0x52.0x7.0	1
92	70.0207.35	Albero ecc. doppio PTO	1
93	97.6152.00	Spina D. 5.0x10.0	1
94	70.2234.54	Dispositivo doppio PTO	1
95	96.7160.00	Rosetta D. 12.0x18.0x1.0	1
96	99.4295.00	Vite M12x35 UNI 5931	1

POS	COD.	DESCRIZIONE - DESCRIPTION - KIT	NR
49	36.2047.51	Guida valvola	2246
50	94.7450.00	Molla Dm. 16.0x27.5	2246
51	36.2117.66	Valvola sferica	2246
52	36.2048.66	Sede valvola	2246-2259
53	90.5178.00	Anello antiest. D. 31.0x35.5x1.5 2246-2252-2253-2254-2259	6÷3
54	36.7208.01	Gr. valvola aspiraz. / mandata	2246
55	99.3816.00	Vite M10x110 UNI 5931	8
56	70.1265.15	Testata per pistone D. 30	1
	70.1266.15	Testata per pistone D. 32	
	70.1261.15	Testata per pistone D. 36	
	70.1268.15	Testata per pistone D. 30 - NPT	
	70.1269.15	Testata per pistone D. 32 - NPT	
70.1270.15	Testata per pistone D. 36 - NPT		
57	70.2250.15	Coperchio valvole d'aspirazione	1
58	99.4850.00	Vite M14x40 UNI 4762	8
59	90.3885.50	OR D. 45.69x2.62 NBR SH. 70 3181 2254	3
60	90.3894.00	OR D. 53.65x2.62 NBR SH. 70 3212 2254	3
61	36.2045.05	Guida valvola aspirazione	2247
62	94.7540.00	Molla Dm. 24.7x27.0 247	3
63	36.2086.51	Guida valvola interna	2247
64	36.2085.02	Valvola sferica	2247
65	36.2116.66	Sede valvola d'aspirazione	2247



COD. DIS. 71.9514.00

* Lubrificare con grasso al silicone.
 * Lubricate with silicon grease.
 * Graisser avec de la graisse su silicone.

* Schmierien mit Silikonfett.

* Lubrique con grasa de silicona.

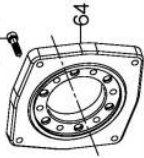
* Lubrifique com graxa de silicone.

Flangia tipo "A" per azionamenti diretti

OPTIONAL

40 Nm

63



** Fissare con Loctite 243 col. BLU
 ** Affix with Loctite 243 col. BLUE
 ** Fixer avec de la Loctite 243 couleur BLUE
 ** Mit Loctite 243 BLAU befestigen
 ** Fijar con Loctite 243 col. AZUL
 ** Fixar com Loctite 243 cor. BLUE

WK

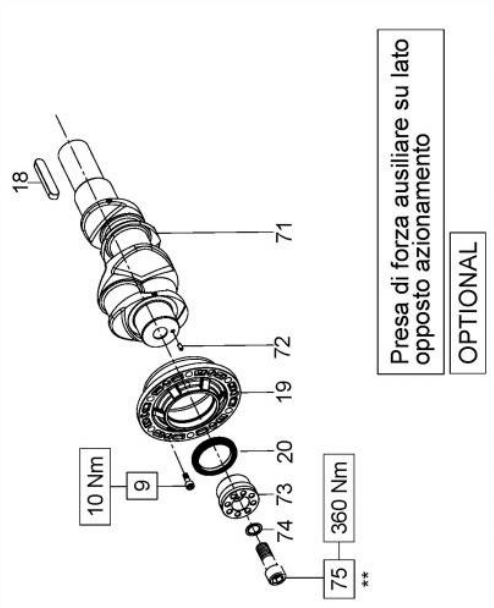
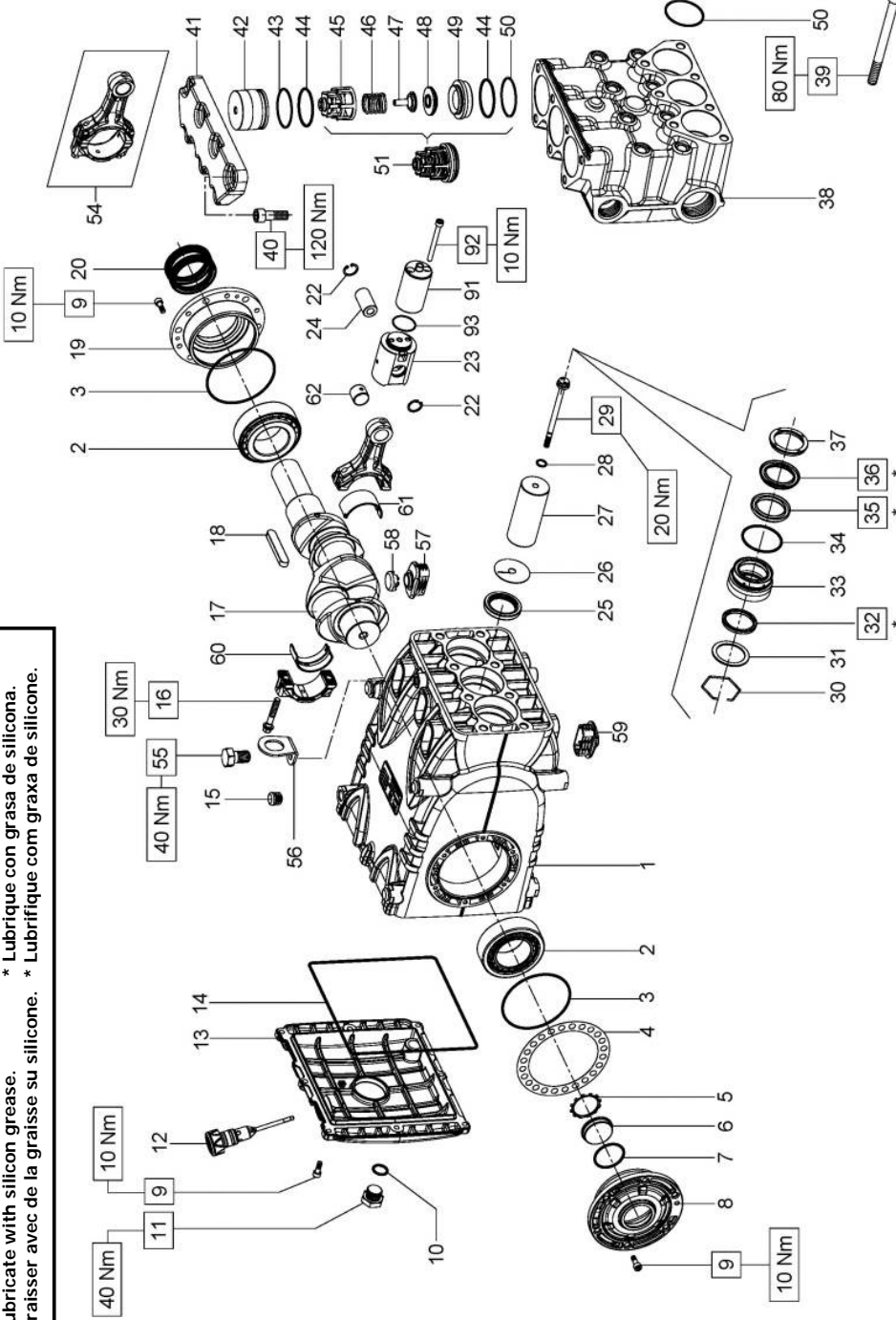
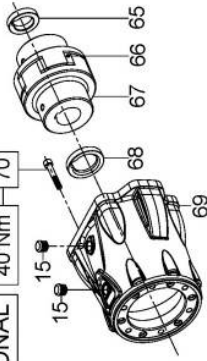
SERIE 71

Campana e Giunto per accoppiamenti a motori idraulici SAE C

OPTIONAL

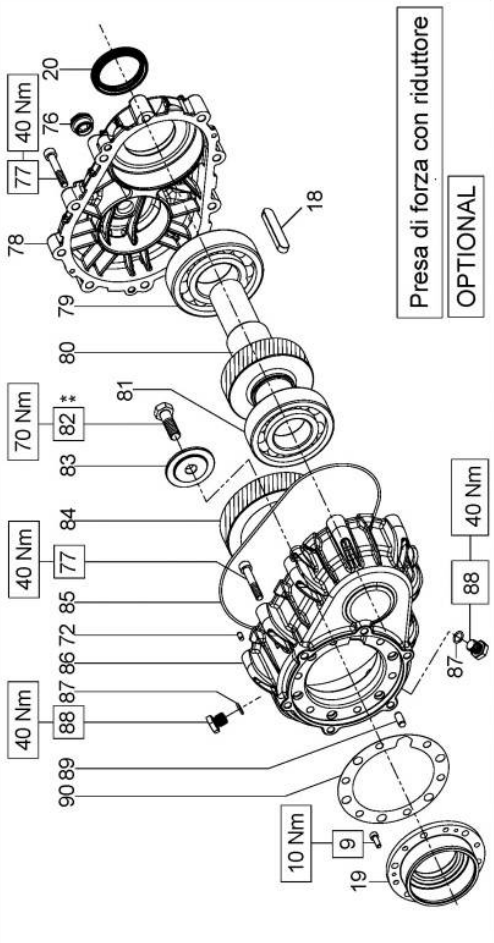
40 Nm

70



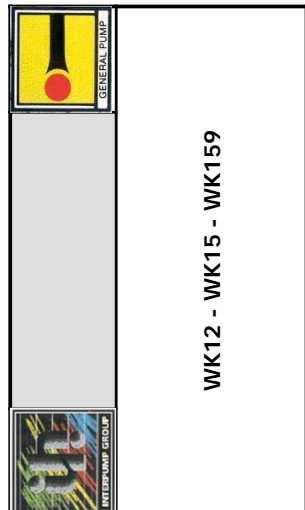
Preso di forza ausiliare su lato opposto azionamento

OPTIONAL



Preso di forza con riduttore

OPTIONAL



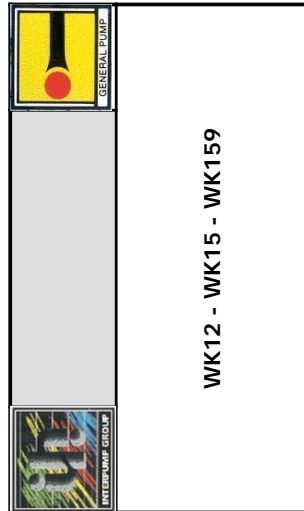
WK12 - WK15 - WK159

KIT RICAMBI - SPARE KITS

KIT NR.	KIT 2012			KIT 2013			KIT 2135 2154 - 2155			PISTONE - PISTON D. 30			PISTONE - PISTON D. 32			PISTONE - PISTON D. 36		
	KIT 2012	KIT 2013	KIT 2135 2154 - 2155	KIT 2016	KIT 2017	KIT 2066	KIT 2222	KIT 2018	KIT 2019	POS	COD.	DESCRIZIONE - DESCRIPTION - KIT	NR					
Posizioni include Positions included	44 - 45 47 - 48 49 - 50 53 (52)	44 - 45 46 - 47 48 - 49 50 (51)	60 - 61	32 - 34 35 - 36	3 - 5 - 7 - 10 14 - 20 - 25 28 - 32 - 34 35 - 36 - 37 43 - 44 - 50	32 - 34 35 - 36	3 - 5 - 7 - 10 14 - 20 - 25 28 - 32 - 34 35 - 36 - 37 43 - 44 - 50	32 - 34 35 - 36	3 - 5 - 7 - 10 14 - 20 - 25 28 - 32 - 34 35 - 36 - 37 43 - 44 - 50	35	90.2774.00 90.2784.00 90.2818.00	An. RESTOP D. 30x45x8/4.5 An. RESTOP D. 32x44x5.5/3 An. RESTOP D. 36x45x6/3	1					
Nr. Pcs.	3	3	3	3	1	3	1	3	1									

PISTON D. 30		PISTON D. 32		PISTON D. 36			
POS	COD.	DESCRIZIONE - DESCRIPTION - KIT	NR	POS	COD.	DESCRIZIONE - DESCRIPTION - KIT	NR
1	71.0100.22	Carter pompa	1	18	91.5000.00	Linguetta 9x8x70 UNI 6604	1
2	91.8590.00	Cuscinetto a rulli	2	19	71.1500.22	Coperchio cuscinetto lato PTO	1
3	90.3918.00	OR D. 94.92x2.62 NBR SH. 70 3375 2017-2222-2019	2	20	90.1700.00	An. rad. D. 50.0x65.0x8.0 2017-2222-2019	1
4	71.2200.81 71.2203.81	Spessore 0.1 mm. Spessore 0.25 mm.	-	22	90.0606.00	Anello d'arresto J20	6
5	90.0756.00	Anello d'arresto ZJ45 2017-2222-2019	1	23	71.0507.15	Guida pistone	3
6	70.2118.01	Spia livello olio	1	24	97.7430.00	Spinotto D. 20x38	3
7	90.3877.00	OR D. 39.34x2.62 NBR SH. 70 3156 2017-2222-2019	1	25	90.1678.00	Anello rad. D. 38.0x52.0x7.0/8.5 2017-2222-2019	3
8	71.1501.22	Coperchio cuscinetto lato spia	1	26	96.7140.00	Rosetta D. 10.0x50.0x1.0	3
9	99.1867.00	Vite M6x18 UNI 5931	20	27	71.0403.09 71.0404.09 72.0400.09	Pistone D. 30x95 Pistone D. 36x95 Pistone D. 32x95	3
10	90.3841.00	OR D. 17.13x2.62 NBR SH. 70 3068 2017-2222-2019	4	28	90.3671.00	OR D. 11.00x2.00 NBR SH. 90 2017-2222-2019	3
11	98.2187.00	Tappo G 1/2"x10 TE27 Zinc.	1	29	71.2195.66	Vite fissaggio pistone	3
12	98.2120.00	Tappo con asta D. 21.5x91	1	30	90.0797.00	Anello di d'arresto D. 52	3
13	71.1600.22	Coperchio posteriore carter	1	31	71.2177.70 72.2105.70 71.2180.70	Anello per tenuta D. 30 Anello per tenuta D. 32 Anello per tenuta D. 36	3
14	90.4000.00	OR D. 215.00x3.00 NBR SH. 70 2017-2222-2019	1	32	90.2760.00 90.2780.00 90.2800.00	An. ten. alt. D. 30x38x5.5 LP 2016-2017 An. ten. alt. D. 32x40x5.5 LP 2066-2222 An. ten. alt. D. 36x40x6 LP 2018-2019	3
15	98.2060.00	Tappo per foro D. 15	4	33	71.2153.70 72.2104.70 71.2154.70	Supporto guarnizioni D. 30 Supporto guarnizioni D. 32 Supporto guarnizioni D. 36	3
16	99.3138.00	Vite serraggio biella	6	34	90.3891.00	OR D. 52.07x2.62 NBR SH. 70 3206 2016-2017-2066-2222-2018-2019	3
17	71.0200.35	Albero ecc. C.50	1				

POS	COD.	DESCRIZIONE - DESCRIPTION - KIT	NR
35	90.2774.00 90.2784.00 90.2818.00	An. RESTOP D. 30x45x8/4.5 2016-2017 An. RESTOP D. 32x44x5.5/3 2066-2222 An. RESTOP D. 36x45x6/3 2018-2019	3
36	90.2770.00 90.2788.00 90.2820.00	An. ten. alt. D. 30x45x7.5/4.5 HP 2016-2017 An. ten. alt. D. 32x44x6/3.5 HP 2066-2222 An. ten. alt. D. 36x48x6/3.5 HP 2018-2019	3
37	70.1004.51 72.1000.51 71.1002.51	Anello di testa D. 30 2017 Anello di testa D. 32 2222 Anello di testa D. 36 2019	3
38	71.1290.15 71.1291.15 71.1292.15 71.1293.15 71.1294.15 71.1295.15	Testata per pistone D. 30 Testata per pistone D. 30 - NPT Testata per pistone D. 32 Testata per pistone D. 32 - NPT Testata per pistone D. 36 Testata per pistone D. 36 - NPT	1
39	99.4480.00	Vite M12x150 UNI 5931	8
40	99.4295.00	Vite M12x35 UNI 5931	14
41	71.2274.15	Coperchio valvole	2
42	71.2111.70	Tappo valvole aspirazione / mandata	6
43	90.5250.00	Anello antiest. D. 50.9x55.0x1.5 2017-2222-2019	6
44	90.3889.00	OR D. 48.89x2.62 NBR SH. 70 3193 2012-2013-2017-2222-2019	12
45	36.2045.05	Guida valvola	2012-2013
46	94.7550.00	Molla Dm. 25.2x26.0	2013
47	36.2086.51	Guida valvola interna	2012-2013
48	36.2085.02	Valvola sferica	2012-2013



KIT RICAMBI – SPARE KITS

KIT NR.	PISTONE – PISTON D. 30			PISTONE – PISTON D. 32			PISTONE – PISTON D. 36		
	KIT 2012	KIT 2013	KIT 2135 2154 - 2155	KIT 2016	KIT 2017	KIT 2066	KIT 2222	KIT 2018	KIT 2019
Posizioni include Positions included	44 - 45 47 - 48 49 - 50 53 (52)	44 - 45 46 - 47 48 - 49 50 (51)	60 - 61	32 - 34 35 - 36	3 - 5 - 7 - 10 14 - 20 - 25 28 - 32 - 34 35 - 36 - 37 43 - 44 - 50	32 - 34 35 - 36	3 - 5 - 7 - 10 14 - 20 - 25 28 - 32 - 34 35 - 36 - 37 43 - 44 - 50	32 - 34 35 - 36	3 - 5 - 7 - 10 14 - 20 - 25 28 - 32 - 34 35 - 36 - 37 43 - 44 - 50
Nr. Pcs.	3	3	3	3	1	3	1	3	1

PISTON D. 30	PISTON D. 32	PISTON D. 36
WK159	WK12	WK15

AZIONAMENTI SPECIALI – SPECIAL DRIVES		
AZIONAMENTO DIRETTO CON FLANGIA TIPO A DIRECT DRIVE WITH FLANGE TYPE A		
POS	COD.	DESCRIZIONE – DESCRIPTION - KIT NR
63	99.3098.00	Vite M8x35 UNI 5931 6
64	10.0677.20	Flangia motore idraulico tipo A 1

AZIONAMENTO IDRAULICO CON CAMPANA E GIUNTO SAE-C HYDRAULIC DRIVE WITH FLANGE AND FLEXIBLE COUPLING SAE-C		
POS	COD.	DESCRIZIONE – DESCRIPTION - KIT NR
15	98.2060.00	Tappo per foro D. 15 2
65	10.0745.70	Distanziale D. 31.75 H.10.5 1
66	10.0749.47	Elemento elastico 1
67	10.7428.01	Giunto elastico D. 40x31.75 1
68	10.0746.70	Distanziale D. 40 H.10 1
69	10.0750.20	Flangia motore idraulico SAE-C 1
70	99.3146.00	Vite M8x50 UNI 5931 6

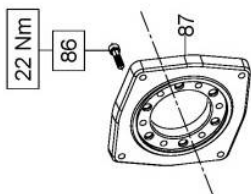
AZIONAMENTO CON PRESA DI FORZA AUSILIARE DRIVE WITH AUXILIARY PTO		
POS	COD.	DESCRIZIONE – DESCRIPTION - KIT NR
9	99.1867.00	Vite M6x18 UNI 5931 6
18	91.5000.00	Linguetta 9x8x70 UNI 6604 1
19	71.1500.22	Coperchio cuscinetto lato PTO 1
20	90.1700.00	Anello rad. D. 50x65x8 1
71	70.0207.35	Albero ecc. doppio PTO 1
72	97.6152.00	Spina D. 5x10 1
73	71.2265.54	Dispositivo doppio PTO 1
74	96.7378.00	Rosetta D. 17.0x24.0x1.0 1
75	99.5142.00	Vite M16x45 UNI 5931 1

RIDUTTORE - GEARBOX		
POS	COD.	DESCRIZIONE – DESCRIPTION - KIT NR
9	99.1867.00	Vite M6x18 UNI 5931 6
18	91.5000.00	Linguetta 9x8x70 UNI 6604 1
19	71.1500.22	Coperchio cuscinetto lato PTO 1
20	90.1700.00	Anello rad. D. 50.0x65.0x8.0 1
72	97.6152.00	Spina D. 5x10 1
76	97.5940.00	Spia livello olio G 1/2" 1
77	99.3146.00	Vite M8x50 UNI 5931 16
78	72.2109.20	Coperchio scatola riduttore 1
79	91.8593.00	Cuscinetto a sfere 1
80	10.0708.35 10.0709.35 10.0710.35	Pignone Z27 R.1.250 elicoidale Pignone Z25 R.1.500 elicoidale Pignone Z22 R.1.830 elicoidale 1
81	91.8577.00	Cuscinetto a sfere 1
82	99.4307.00	Vite M12x40 UNI 5739 1
83	72.2110.55	Rondella fissaggio corona 1
84	10.0711.35 10.0712.35 10.0713.35	Corona Z34 R.1.250 elicoidale Corona Z37 R.1.500 elicoidale Corona Z40 R.1.830 elicoidale 1
85	90.3948.00	OR D. 209.22x2.62 NBR SH. 70 1
86	72.2108.20	Scatola riduttore 1
87	90.3585.00	OR D. 10.82x1.78 NBR SH. 70 2043 2
88	98.20.47.00	Tappo G 1/4"x13 2
89	97.6185.00	Spina D. 8x18 1
90	72.2107.84	Guarnizione scatola riduttore 1



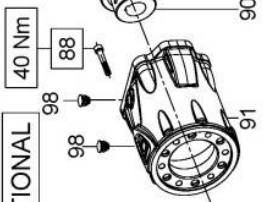
Flangia tipo "A" per azionamenti diretti

OPTIONAL



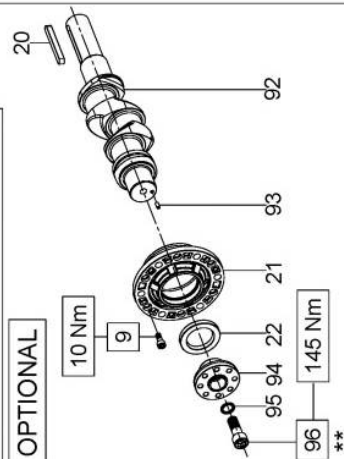
Campana e Giunto per accoppiamenti a motori idraulici SAE C

OPTIONAL



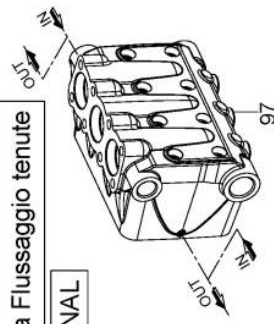
Presca di forza ausiliare su lato opposto azionamento

OPTIONAL

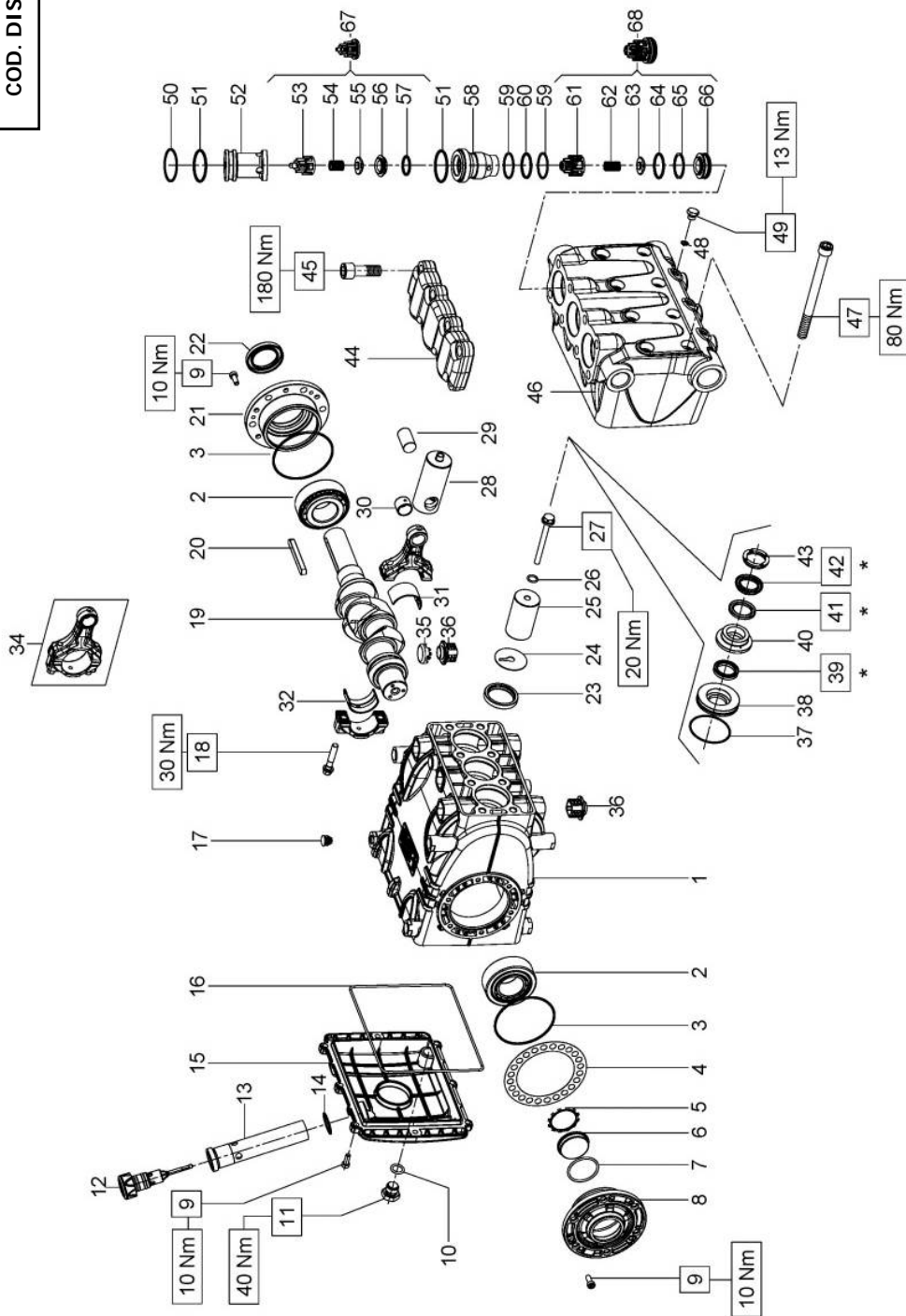


Sistema Flussaggio tenute

OPTIONAL



COD. DIS. 70.9513.00




- * Lubrificare con grasso al silicone.
- * Lubricate with silicon grease.
- * Graisser avec de la graisse su silicone.
- * Schmierien mit Silikonfett.
- * Lubrifique con graxa de silicona.
- * Lubrifique com graxa de silicone.


- ** Fissare con Loctite 243 col. BLU
- ** Affix with Loctite 243 col. BLUE
- ** Fixer avec de la Loctite 243 couleur BLUE
- ** Mit Loctite 243 BLAU befestigen
- ** Fijar con Loctite 243 col. AZUL
- ** Fixar com Loctite 243 cor. BLUE

WK

SERIE 70



WK525 - WK530



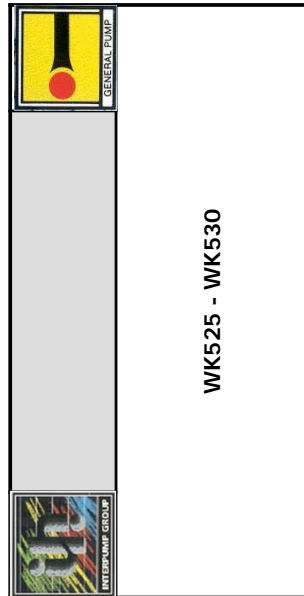
KIT RICAMBI – SPARE KITS

KIT NR.		KIT 2031	KIT 2256	KIT 2156 2157 - 2158	PISTONE – PISTON D. 16		PISTONE – PISTON D. 18	
Posizioni include Positions included		61 - 62 - 63 64 - 65 - 66 (68)	53 - 54 55 - 56 57 (67)	31 - 32	37 - 39 41 - 42	3 - 5 - 7 - 10 - 14 16 - 22 - 23 - 26 37 - 39 - 41 - 42 48 - 50 - 51 - 57 59 - 60 - 64 - 65	KIT 2228	KIT 2232
Nr. Pcs.		3	3	3	3	1	3	1

PISTONE – PISTON D. 16		PISTONE – PISTON D. 18	
POS	COD.	DESCRIZIONE – DESCRIPTION - KIT	NR
1	70.0100.22	Carter pompa	1
2	91.8477.00	Cuscinetto a rulli	2
3	90.3915.00	OR D. 80.6x2.62 NBR SH. 70 3318 2231-2232	2
4	70.2200.81 70.2203.81	Spessore 0.1 mm. Spessore 0.25 mm.	-
5	90.0756.00	Anello d'arresto ZJ45	2231-2232
6	70.2118.01	Spia livello olio	1
7	90.3877.00	OR D. 39.34x2.62 NBR SH. 70 3156 2231-2232	1
8	70.1501.22	Coperchio cuscinetto lato spia	1
9	99.1854.00	Vite M6x16 UNI 5931	20
10	90.3833.00	OR D. 13.95x2.62 NBR SH. 70 3056 2231-2232	1
11	98.2100.50	Tappo G 3/8"x13 – Zinc.	1
12	98.2115.00	Tappo con asta D. 21.5x70	1
13	72.2106.95	Tube per asta livello olio	1
14	90.3604.00	OR D. 25.12x1.78 NBR SH. 70 2100 2231-2232	1
15	70.1606.22	Coperchio posteriore carter	1
16	90.3942.00	OR D. 190.17x2.62 NBR SH. 70 3750 2231-2232	1

POS	COD.	DESCRIZIONE – DESCRIPTION – KIT	NR
17	98.2005.00	Tappo per foro D. 15	5
18	99.3123.00	Vite serraggio biella	6
19	70.0206.35	Albero ecc. C.26	1
20	91.4900.00	Linguetta 8x7x70 UNI 6604	1
21	70.1500.22	Coperchio cuscinetto lato PTO	1
22	90.1668.00	Anello rad. D. 35.0x52.0x7.0 2231-2232	1
23	90.1677.00	Anello rad. D. 36.0x47.0x6.0/7.5 2231-2232	3
24	96.7099.00	Rosetta D. 10.0x45.0x1.0	3
25	70.0410.09 70.0411.09	Pistone D. 16x63 Pistone D. 18x63	3
26	90.3584.00	OR D. 10.82x1.78 NBR SH. 90 2043 2231-2232	3
27	70.2241.36	Vite fissaggio pistone	3
28	70.0500.15	Guida pistone	3
29	97.7420.00	Spinotto D. 18x36	3
30	90.9100.00	Boccola piede biella	3
31	90.9220.00 90.9221.00 90.9222.00	Semiboc. testa biella – Sup. 2156 Semiboc. testa biella +0.25 – Sup. 2157 Semiboc. testa biella +0.50 – Sup. 2158	3
32	90.9223.00 90.9224.00 90.9225.00	Semiboc. testa biella – Inf. 2156 Semiboc. testa biella +0.25 – Inf. 2157 Semiboc. testa biella +0.50 – Inf. 2158	3
34	70.0305.11	Biella – Completa	3
35	71.2259.51	Cappuccio tappo carter	3
36	70.2225.51	Tappo carter	6

POS	COD.	DESCRIZIONE – DESCRIPTION – KIT	NR
37	90.3626.00	OR D. 50.52x1.78 NBR SH. 70 2200 2227-2228-2231-2232	3
38	70.0817.66 70.0818.66	Anello di fondo D. 16 Anello di fondo D. 18	3
39	90.2631.00 90.2648.00	An. ten. alt. D. 16x24.6.5 LP 2227-2231 An. ten. alt. D. 18x26.5.5 LP 2228-2232	3
40	70.2245.66 70.2246.66	Anello intermedio D. 16 Anello intermedio D. 18	3
41	90.2640.00 90.2687.00	An. RESTOP D. 16.0x30.0x6.2.0/3.0 2227-2231 An. RESTOP D. 18.0x32.0x6.2/3.0 2228-2232	3
42	90.2642.00	An. ten. alt. D. 16x30x7/4 HP	3
43	47.1003.51 71.1000.51	Anello di testa D. 16 Anello di testa D. 18	3
44	70.2240.36	Coperchio valvole	1
45	99.4850.00	Vite M14x40 UNI 4762	8
46	70.1255.36 70.1258.36 70.1256.36 70.1259.36	Testata pompa D. 16 Testata pompa D. 16 - NPT Testata pompa D. 18 Testata pompa D. 18 - NPT	1
47	99.3828.00	Vite M10x140 UNI 5931	8
48	90.3576.00	OR D. 6.75x1.78 NBR SH. 70 106 2231-2232	3
49	98.1972.00	Tappo G 1/8"x8	3
50	90.5177.50	Anello antiest. D. 30.9x35x1.5 2231-2232	3



WK525 - WK530

KIT RICAMBI – SPARE KITS				PISTONE – PISTON D. 16		PISTONE – PISTON D. 18	
KIT NR.	KIT 2031	KIT 2256	KIT 2156 2157 - 2158	KIT 2227	KIT 2231	KIT 2228	KIT 2232
Posizioni include Positions included	61 - 62 - 63 64 - 65 - 66 (68)	53 - 54 55 - 56 57 (67)	31 - 32	37 - 39 41 - 42	3 - 5 - 7 - 10 - 14 16 - 22 - 23 - 26 37 - 39 - 41 - 42 48 - 50 - 51 - 57 59 - 60 - 64 - 65	37 - 39 41 - 42	3 - 5 - 7 - 10 - 14 16 - 22 - 23 - 26 37 - 39 - 41 - 42 48 - 50 - 51 - 57 59 - 60 - 64 - 65
Nr. Pcs.	3	3	3	3	1	3	1

PISTONE – PISTON D. 16		PISTONE – PISTON D. 18	
WK525	WK530		

CON SISTEMA FLUSHING – FLUSHING SYSTEM			
POS	COD.	DESCRIZIONE – DESCRIPTION – KIT	NR
97	-	Testata pompa - FLUSHING	1
AZIONAMENTI SPECIALI – SPECIAL DRIVES			
AZIONAMENTO DIRETTO CON FLANGIA TIPO A DIRECT DRIVE WITH FLANGE TYPE A			
86	99.3084.00	Vite M8x30 UNI 5931	6
87	10.0673.20	Flangia motore idraulico tipo A	1
AZIONAMENTO IDRAULICO CON CAMPANA E GIUNTO SAE-B HYDRAULIC DRIVE WITH FLANGE AND FLEXIBLE COUPLING SAE-B			
17	98.2005.00	Tappo per foro D. 15	2
88	99.3136.00	Vite M8x45 UNI 5931	6
89	10.0755.47	Elemento elastico giunto D. 46	1
90	10.7430.01	Giunto elastico D. 30x25.4	1
91	10.0752.20	Flangia motore idraulico SAE-B	1
AZIONAMENTO CON PRESA DI FORZA AUSILIARE DRIVE WITH AUXILIARY PTO			
9	99.1854.00	Vite M6x16 UNI 5931	6
20	91.4900.00	Linguetta 8x7x70 UNI 6604	1
21	70.1500.22	Coperchio cuscinetto lato PTO	1
22	90.1668.00	Anello rad. D. 35x52x7	1
92	70.0205.35	Albero ecc. doppio PTO	1
93	97.6152.00	Spina D. 5x10	1
94	70.2234.54	Dispositivo doppio PTO	1

POS	COD.	DESCRIZIONE – DESCRIPTION – KIT	NR
95	96.7160.00	Rosetta D. 12x18x1	1
96	99.4295.00	Vite M12x35 UNI 5931	1

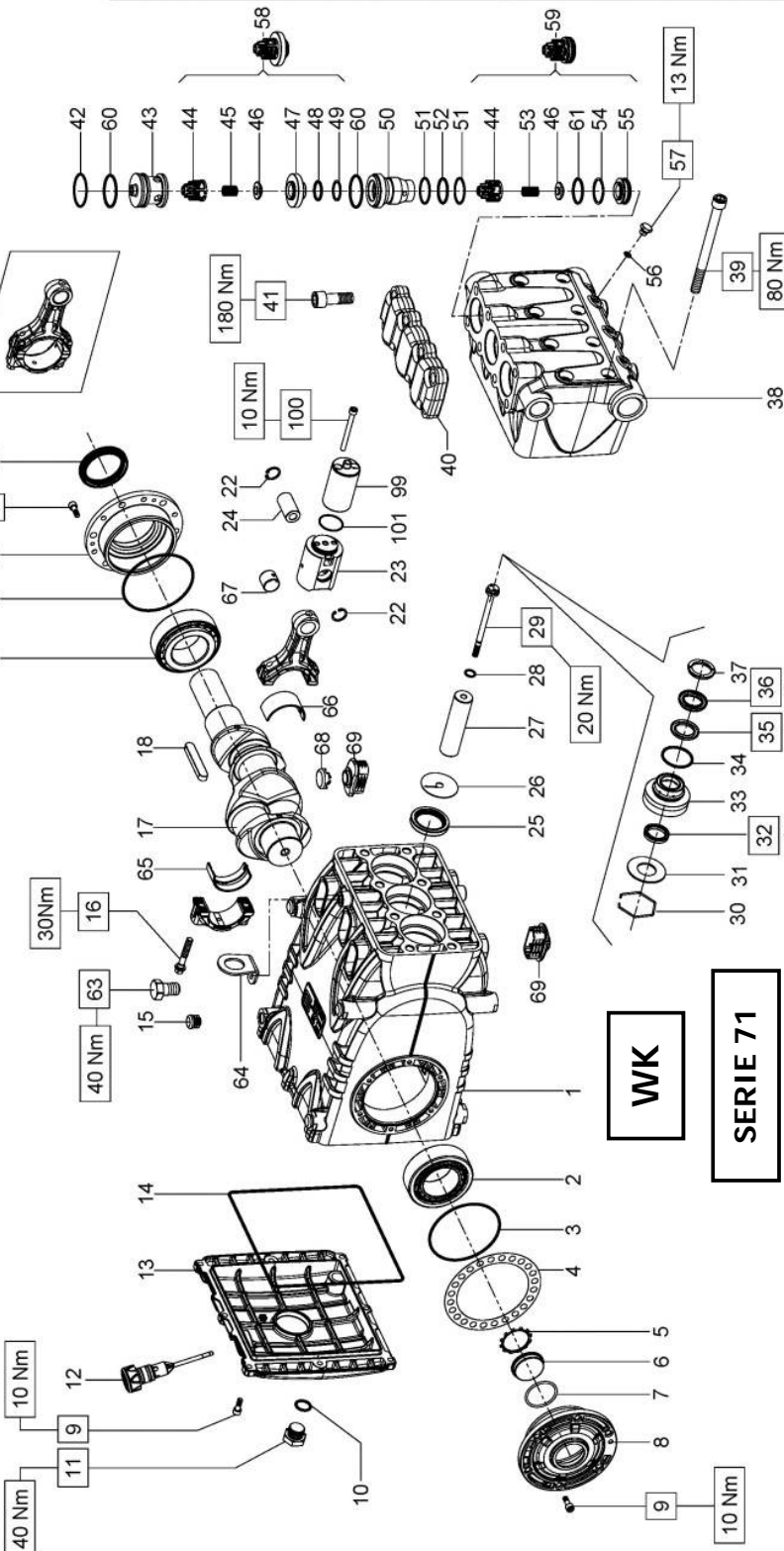
POS	COD.	DESCRIZIONE – DESCRIPTION - KIT	NR
51	90.3866.00	OR D. 29.82x2.62 NBR SH. 90 3118 2231-2232	6
52	70.2243.66	Tappo D. 35	3
53	36.2025.51	Guida valvola	3
54	94.7376.00	Molla Dm. 9.4x14.8	3
55	36.2032.66	Valvola sferica	3
56	36.2003.66	Sede valvola	3
57	90.3841.00	OR D. 17.30x2.62 NBR SH. 70 3068 2231-2232-2256	3
58	70.2242.66	Bussola valvola	3
59	90.5165.00	An. antiest. D. 24.7x29x1.5	6
60	90.3858.00	OR D. 23.81x2.62 NBR SH. 70 132 2231-2232	3
61	36.2103.05	Guida valvola	3
62	94.7397.00	Molla Dm. 11.4x20	3
63	36.2050.66	Valvola asferica	3
64	90.3856.00	OR D. 23.47x2.62 NBR SH. 90 3093 2031-2231-2232	3
65	90.5155.00	Anello antiest. D. 23.9x28.0x2.0 2031-2231-2232	3
66	36.2049.66	Sede valvola	3
67	36.7121.01	Gr. Valvola aspirazione	3
68	36.7144.01	Gr. Valvola di mandata	3



** Fissare con Loctite 243 col. BLU
 ** Affix with Loctite 243 col. BLUE
 ** Fixer avec de la Loctite 243 couleur BLUE
 ** Mit Loctite 243 BLAU befestigen
 ** Fijar con Loctite 243 col. AZUL
 ** Fixar com Loctite 243 cor. BLUE

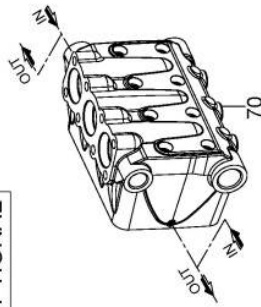
COD. DIS. 71.9501.00

* Lubrificare con grasso al silicone.
 * Lubricate with silicon grease.
 * Graisser avec de la graisse su silicone.



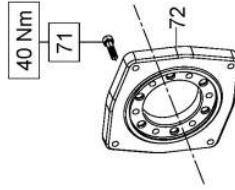
Sistema Flussaggio tenuto

OPTIONAL



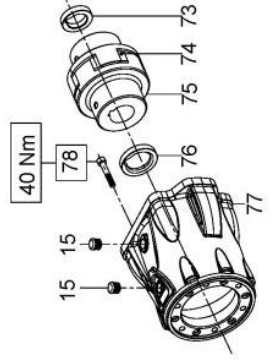
Flangia tipo "A" per azionamenti diretti

OPTIONAL



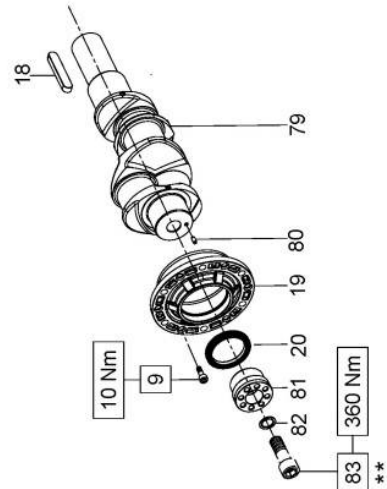
Campana e Giunto per accoppiamenti a motori idraulici SAE C

OPTIONAL



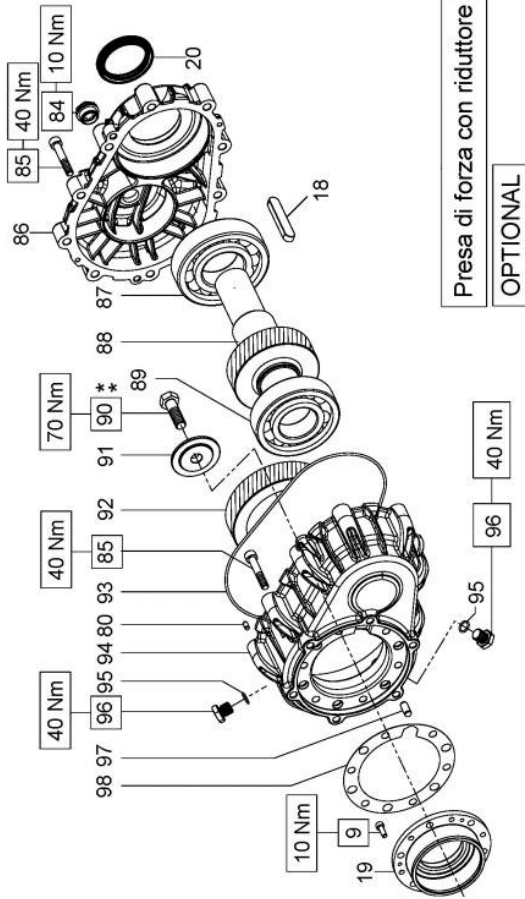
Preso di forza ausiliare su lato opposto azionamento

OPTIONAL



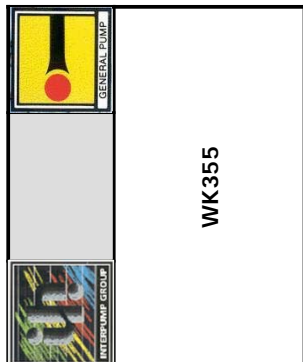
Preso di forza con riduttore

OPTIONAL



WVK

SERIE 71



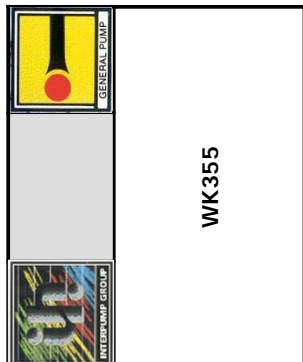
KIT RICAMBI – SPARE KITS

KIT NR.	KIT 2026	KIT 2022	KIT 2023	KIT 2027	KIT 2135 2154 - 2155
Posizioni include Positions included	32 - 34 35 - 36	44 - 46 53 - 54 55 - 61 (59)	44 - 45 46 - 47 48 - 49 (58)	3 - 5 - 7 - 10 - 14 22 - 25 - 28 - 32 34 - 35 - 36 - 37 42 - 48 - 49 - 51 52 - 54 - 60	65 - 66
Nr. Pcs.	1	3	3	1	3

POS	COD.	DESCRIZIONE – DESCRIPTION - KIT	NR
1	71.0100.22	Carter pompa	1
2	91.8590.00	Cuscinetto a rulli	2
3	90.3918.00	OR D. 94.92x2.62 NBR SH 70 3375	2027 2
4	71.2200.81 71.2203.81	Spessore 0.1 mm. Spessore 0.25 mm.	-
5	90.0756.00	Anello d'arresto ZJ45	2027 1
6	70.2118.01	Spia livello olio	1
7	90.3877.00	OR D. 39.34x2.62 NBR SH 70 3156	2027 1
8	71.1501.22	Coperchio cuscinetto lato spia	1
9	99.1867.00	Vite M6x18 UNI 5931	20
10	90.3841.00	OR D. 17.13x2.62 NBR SH 70 3068	2027 4
11	98.2183.00	Tappo G 1/2"x13 – NICKEL	1
12	98.2120.00	Tappo con asta D. 21.5x91	1
13	71.1600.22	Coperchio posteriore carter	1
14	90.4000.00	OR D. 215.00x3.00 NBR SH 70	2027 1
15	98.2060.00	Tappo per foro D. 15	4
16	99.3138.00	Vite serraggio biella	6
17	71.0200.35	Albero ecc. C.50	1
18	91.5000.00	Linguetta 9x8x70 UNI 6604	1
19	71.1500.22	Coperchio cuscinetto lato PTO	1
20	90.1700.00	Anello rad. D. 50x65x8	2027 1
22	90.0606.00	Anello d'arresto J20	6

POS	COD.	DESCRIZIONE – DESCRIPTION – KIT	NR
23	71.0507.15	Guida pistone	3
24	97.7430.00	Spinotto D. 20x38	3
25	90.1678.00	Anello rad. D. 38.0x52.0x7.0/8.5	2027 3
26	96.7140.00	Rosetta D. 10.0x50.0x1.0	3
27	71.0401.09	Pistone D. 22x95	3
28	90.3671.00	OR D. 11.00x2.00 NBR SH 90	2027 3
29	71.2195.66	Vite fissaggio pistone	3
30	90.0797.00	Anello d'arresto D. 52	3
31	71.2172.70	Anello per tenuta D. 22	3
32	90.2713.00	Anello ten. alt. D. 22.0x30.0x5.5 LP	2026-2027 3
33	71.2151.70	Supporto guarnizioni D. 22	3
34	90.3875.00	OR D. 37.77x2.62 NBR SH 70 3150	2026-2027 3
35	90.2730.00	Anello RESTOP D. 22x35x5.5/2	2026-2027 3
36	90.2725.00	Anello ten. alt. D. 22x35x7.5/4.5 HP	2026-2027 3
37	70.1001.51	Anello di testa D. 22	2027 3
38	71.1201.36 71.1241.36	Testata per pistone D. 22 Testata per pistone D. 22 – NPT	1
39	99.4480.00	Vite M12x150 UNI 5931	8
40	71.2100.36	Coperchio valvole	1
41	99.4850.00	Vite M14x40 UNI 5931	8

POS	COD.	DESCRIZIONE – DESCRIPTION – KIT	NR
42	90.5220.00	Anello antiest. D. 40.9x45.0x1.5	2027 3
43	71.2110.70	Tappo valvole	3
44	36.2103.05	Guida valvola	2022-2023 6
45	94.7401.00	Molla Dm. 12.0x17.0	2023 3
46	36.2039.66	Valvola sferica	2022-2023 6
47	36.2043.66	Sede valvola	2023 3
48	90.3851.00	OR D. 21.89x2.62 NBR 70 Sh. 3087	2027-2023 3
49	90.5145.00	Anello antiest. D. 22.9x27.0x1.5	2027-2023 3
50	71.2115.66	Bussola valvola	3
51	90.5179.00	Anello antiest. D. 29.82.0x2.62	2027 6
52	90.3866.00	OR D. 29.82x2.62 NBR 70 SH 3118	2027 3
53	94.7397.00	Molla Dm. 11.4x20.0	2022 3
54	90.5177.00	Anello antiest. D. 30.0x34.5x1.5	2027-2022 3
55	36.2042.66	Sede valvola	2022 3
56	90.3576.00	OR D. 6.75x1.78 NBR SH. 70 106	3
57	98.1972.00	Tappo G 1/8"x8	3
58	36.7139.01	Gr. valvola di mandata	2023 3
59	36.7138.01	Gr. valvola d'aspirazione	2022 3
60	90.3878.00	OR D. 39.34x2.62 NBR SH. 90 3156	2027 6
61	90.3866.00	OR D. 29.82x2.62 NBR SH. 70 3118	2022 3
62	71.0307.01	Biella – Completa	3
63	99.4266.00	Vite M12x25 UNI 5739	1
64	71.2230.74	Staffa di sollevamento	1
65	90.9243.00 90.9244.00 90.9245.00	Semibocc. testa biella – Inf. Semibocc. testa biella +0.25 – Inf. Semibocc. testa biella +0.50 – Inf.	2135 2154 2155



KIT RICAMBI – SPARE KITS

KIT NR.	KIT 2026	KIT 2022	KIT 2023	KIT 2027	KIT 2135 2154 - 2155
Posizioni include Positions included	32 - 34 35 - 36	44 - 46 53 - 54 55 - 61 (59)	44 - 45 46 - 47 48 - 49 (58)	3 - 5 - 7 - 10 - 14 22 - 25 - 28 - 32 34 - 35 - 36 - 37 42 - 48 - 49 - 51 52 - 54 - 60	65 - 66
Nr. Pcs.	1	3	3	1	3

POS	COD.	DESCRIZIONE – DESCRIPTION - KIT	NR
88	10.0708.35 10.0709.35 10.0710.35	Pignone Z27 R.1.250 elicoidale Pignone Z25 R.1.500 elicoidale Pignone Z22 R.1.830 elicoidale	1
89	91.8577.00	Cuscinetto a sfere	1
90	99.4307.00	Vite M12x40 UNI 5739	1
91	72.2110.55	Rondella fissaggio corona	1
92	10.0711.35 10.0712.35 10.0713.35	Corona Z34 R.1.250 elicoidale Corona Z37 R.1.500 elicoidale Corona Z40 R.1.830 elicoidale	1
93	90.3948.00	OR D. 209.22x2.62 NBR SH. 70	1
94	72.2108.20	Scatola riduttore	1
95	90.3585.00	OR D. 10.82x1.78 NBR SH. 70 2043	2
96	98.2047.00	Tappo G 1/4"x13	2
97	97.6185.00	Spina D. 8x18	1
98	72.2107.84	Guarnizione scatola riduttore	1

POS	COD.	DESCRIZIONE – DESCRIPTION - KIT	NR
78	99.3146.00	Vite M8x50 UNI 5931	6
AZIONAMENTO CON PRESA DI FORZA AUSILIARE DRIVE WITH AUXILIARY PTO			
9	99.1867.00	Vite M6x18 UNI 5931	6
18	91.5000.00	Linguetta 9x8x70 UNI 6604	1
19	71.1500.22	Coperchio cuscinetto lato PTO	1
20	90.1700.00	Anello rad. D. 50x65x8	1
79	70.0207.35	Albero ecc. doppio PTO	1
80	97.6152.00	Spina D. 5x10	1
81	71.2265.54	Dispositivo doppio PTO	1
82	96.7378.00	Rosetta D. 17.0x24.0x1.0	1
83	99.5142.00	Vite M16x45 UNI 5931	1
RIDUTTORE - GEARBOX			
9	99.1867.00	Vite M6x18 UNI 5931	6
18	91.5000.00	Linguetta 9x8x70 UNI 6604	1
19	71.1500.22	Coperchio cuscinetto lato PTO	1
20	90.1700.00	Anello rad. D. 50.0x65.0x8.0	1
80	97.6152.00	Spina D. 5x10	1
84	97.5940.00	Spia livello olio G 1/2"	1
85	99.3146.00	Vite M8x50 UNI 5931	16
86	72.2109.20	Coperchio scatola riduttore	1
87	91.8593.00	Cuscinetto a sfere	1

POS	COD.	DESCRIZIONE – DESCRIPTION - KIT	NR
66	90.9240.00 90.9241.00 90.9242.00	Sembocc. testa biella – Sup. 2135 Sembocc. testa biella +0.25 – Sup. 2154 Sembocc. testa biella +0.50 – Sup. 2155	3
67	90.9110.00	Boccola piede biella	3
68	71.2259.51	Cappuccio tappo carter	3
69	71.2258.51	Tappo carter	6
99	71.0508.66	Stelo guida pistone	3
100	99.1994.00	Vite M6x65 UNI 5931	6
101	90.3528.00	OR D. 30.00x1.5 NBR 70 SH.	3
CON SISTEMA FLUSHING – FLUSHING SYSTEM			
70	-	Testata - FLUSHING	1
AZIONAMENTI SPECIALI – SPECIAL DRIVES			
AZIONAMENTO DIRETTO CON FLANGIA TIPO A DIRECT DRIVE WITH FLANGE TYPE A			
71	99.3098.00	Vite M8x35 UNI 5931	6
72	10.0677.20	Flangia motore idraulico tipo A	1
AZIONAMENTO IDRAULICO CON CAMPANA E GIUNTO SAE-C HYDRAULIC DRIVE WITH FLANGE AND FLEXIBLE COUPLING SAE-C			
15	98.2060.00	Tappo per foro D. 15	2
73	10.0745.70	Distanziale D. 31.75 H. 10.5	1
74	10.0749.47	Elemento elastico	1
75	10.7428.01	Giunto elastico D. 40x31.75	1
76	10.0746.70	Distanziale D. 40 H. 10	1
77	10.0750.20	Flangia motore idraulico SAE-C	1



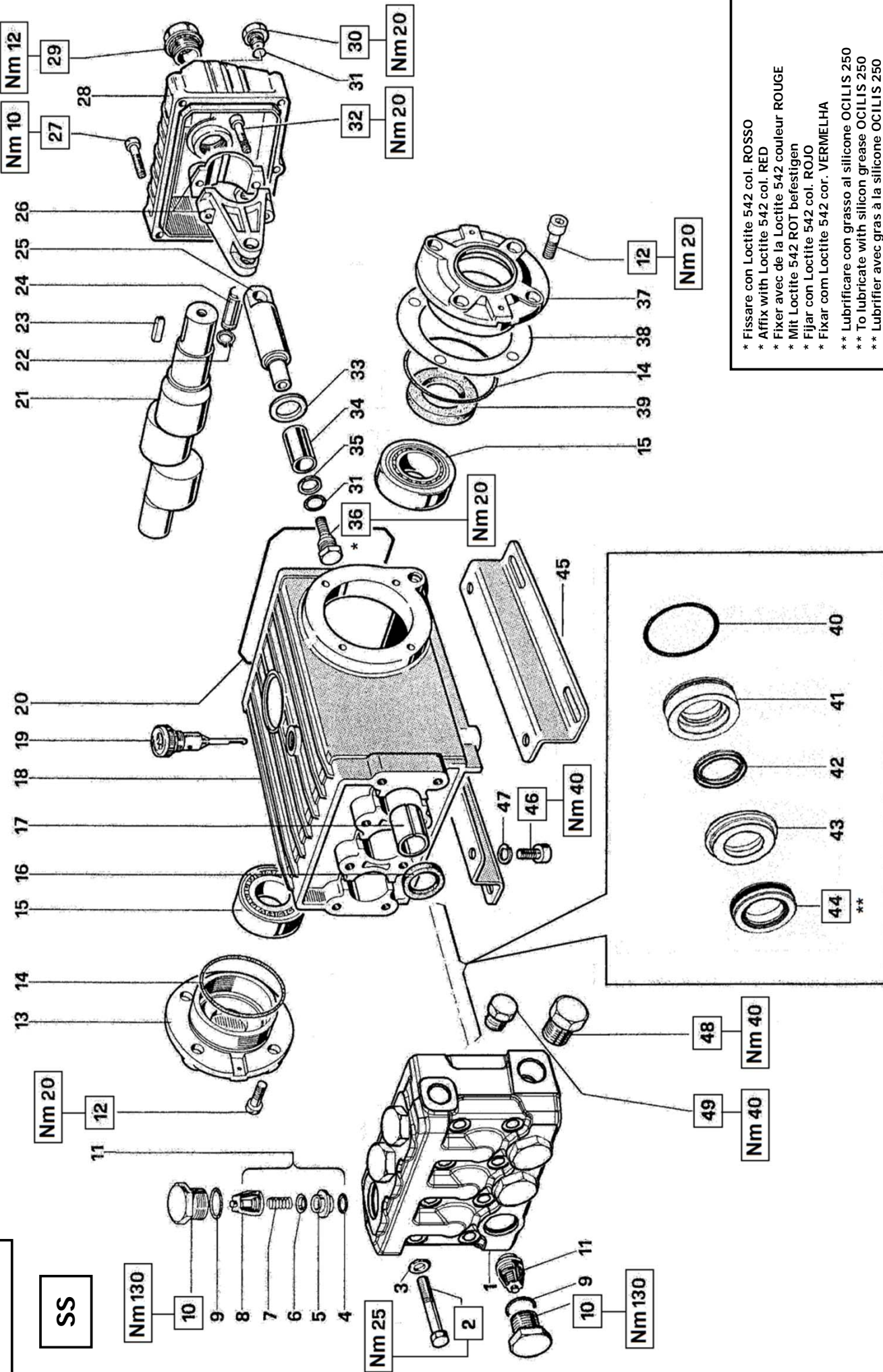
SERIE 47

SS

Nm 130


Nm 25

Nm 130




* Fissare con Loctite 542 col. ROSSO
 * Affix with Loctite 542 col. RED
 * Fixer avec la Loctite 542 couleur ROUGE
 * Mit Loctite 542 ROT befestigen
 * Fijar con Loctite 542 col. ROJO
 * Fixar com Loctite 542 cor. VERMELHA
 ** Lubrificare con grasso al silicone OCILIS 250
 ** To lubricate with silicon grease OCILIS 250
 ** Lubrifier avec gras à la silicone OCILIS 250
 ** Sich mit fett zum Silikon OCILIS 250 schmieren
 ** Para lubricar con la grasa al silicon OCILIS 250
 ** Para lubrificar com a graxa ao silicone OCILIS 250

DIS. COD. 47.9523.00



**SSE2013 - SSE2015 - SSE1518 - SSE2021
SSU2015 - SSU2018 - SSU1521**



PISTONE - PISTON D. 20		PISTONE - PISTON D. 22	
SSE2013 - SSE2015 - SSE2021 SSU2015 - SSU2018		SSE1518 - SSU1521	

POS	COD.	DESCRIZIONE - DESCRIPTION - KIT	NR
1	47.1219.36	Testata D. 20-22	1
2	99.3207.00	Vite M8x70 UNI 5737	8
3	96.7022.00	Rosetta D. 8 UNI 1736	8
4	90.3841.00	OR D. 17.13x2.62 NBR SH. 70 3068 192	6
5	36.2036.66	Sede valvola	192
6	36.2001.76	Valvola	192
7	94.7373.00	Molla Dm. 9.4x14.8	192
8	36.2025.51	Guida valvola	192
9	90.3847.00	OR D. 20.24x2.62 NBR SH. 90 3081	6
10	98.2230.00	Tappo M24x2x16.7	6
11	36.7130.01	Gr. valvola aspiraz./mandata	192
12	99.3038.00	Vite M8x16 UNI 5931	8
13	47.1511.22	Coperchio cuscinetto	1
14	90.3913.00	OR D. 67.95x2.62 NBR SH. 70 3268	2
15	91.8378.00	Cuscinetto a rulli	2
16	90.1625.00	Anello rad. D. 22.0x32.0x6.5	2
17	90.9126.00	Boccola D. 22x25x30	3
18	47.0100.22	Carter pompa	1
19	98.2106.00	Tappo carico olio G 3/8"	1

POS	COD.	DESCRIZIONE - DESCRIPTION - KIT	NR
20	90.3922.00	OR D. 133.02x2.62 NBR SH. 70 3525	1
21	47.0217.35 47.0218.35 47.0219.35	Albero ecc. C.16 - SSE2021 Albero ecc. C.12 - SSU2018 SSU1521 SSE2015 SSE1518 Albero ecc. C.10 - SSU2015 SSE2013	1
22	90.0557.00	Anello di fermo D. 12	6
23	91.4890.00	Linguetta 8x7x35 UNI 6604	1
24	97.7380.00	Spinotto D. 13x35.5	3
25	47.0507.66	Guida pistone	3
26	47.0300.01	Biella completa	3
27	99.1913.00	Vite M6x30 UNI 5931	5
28	47.1601.22	Coperchio posteriore	1
29	97.5968.00	Spia livello olio G 3/4"	1
30	98.2040.00	Tappo G 1/4"x9 - INOX	1
31	90.3585.00	OR D. 10.82x1.78 NBR SH. 70 2043	4
32	99.3099.00	Vite M8x35 UNI 5931	6
33	96.7287.00	Rosetta D. 14x28x0.5	3
34	47.0404.09 47.0405.09	Pistone D. 20 Pistone D. 22	3
35	90.5067.00	Anello antiest. D. 11.0x14.0x1.5	3
36	47.2197.66	Vite fissaggio pistone	3
37	47.1510.22	Coperchio cuscinetto	1
38	97.5678.00	Spessore	2
39	90.1648.00	Anello rad. D. 30.0x55.0x7.0	3
40	90.3616.00	OR D. 34.65x1.78 NBR SH. 70 2137 239-240	3

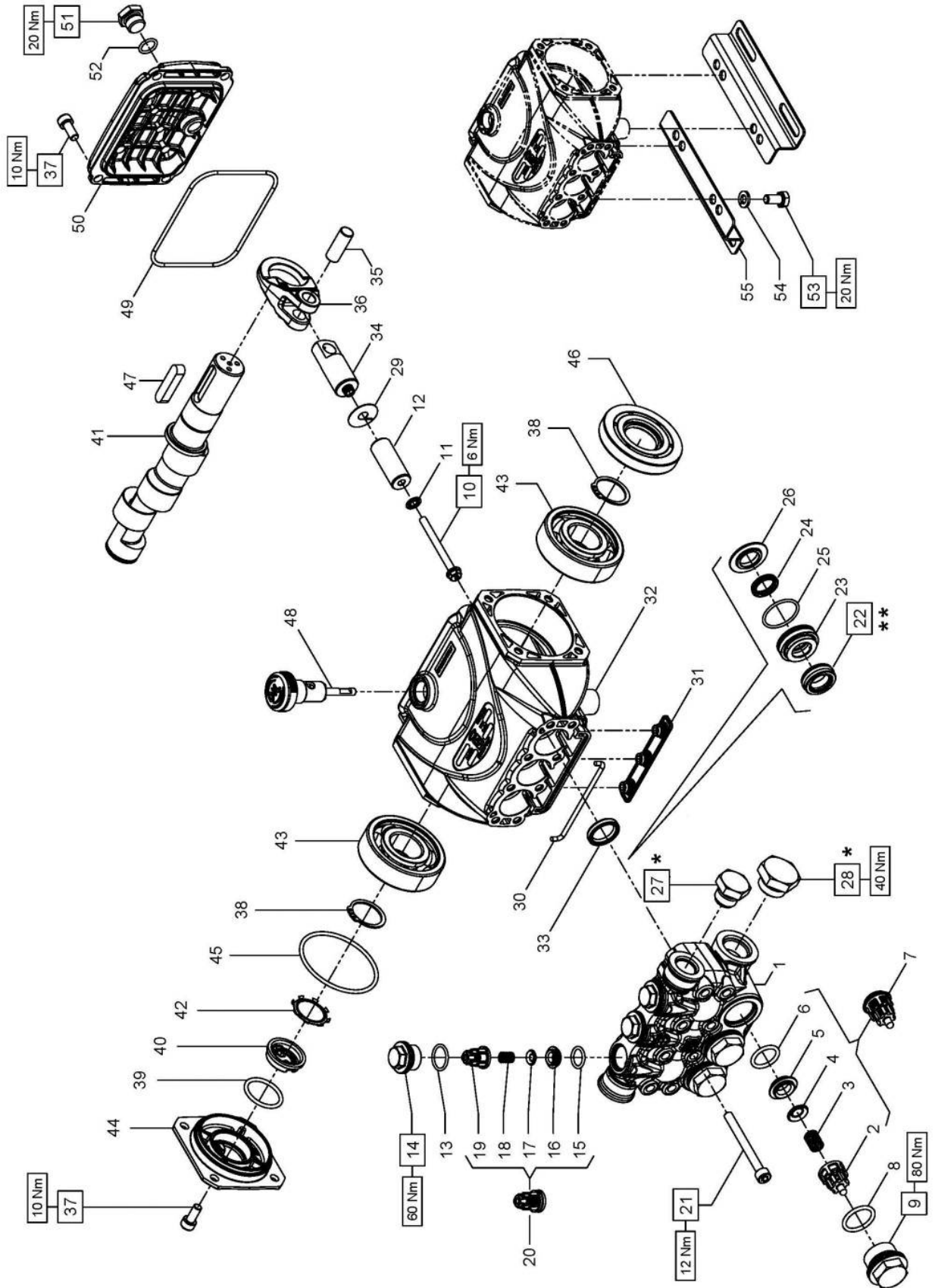
KIT RICAMBI - SPARE KITS			PISTONE - PISTON D. 20		PISTONE - PISTON D. 22		
KIT Nr.	KIT 2	KIT 3	KIT 192	KIT 238	KIT 239	KIT 202	KIT 240
Posizioni incluse Positions included	16	39	4 - 5 6 - 7 8 (11)	42 - 44	40 - 41 42 - 43 44	42 - 44	40 - 41 42 - 43 44
Nr. Pcs.	3	2	6	3	1	3	1

POS	COD.	DESCRIZIONE - DESCRIPTION - KIT	NR
41	47.0815.66 47.0816.66	Anello di fondo D. 20 Anello di fondo D. 22	239 240
42	90.2250.00 90.2300.00	Anello ten. alt. D. 20x26.15 LP Anello ten. alt. D. 22x28.15 LP	238-239 202-240
43	47.2176.66 47.2177.66	Anello intermedio D. 20 Anello intermedio D. 22	239 240
44	90.2262.00 90.2310.00	Anello ten. alt. D. 20x35x9 HP Anello ten. alt. D. 22x35x9 HP	238-239 202-240
45	47.2000.74	Piedino pompa	2
46	99.3644.00	Vite M10x18 UNI 5931	4
47	96.7106.00	Rosetta d. 10 DIN 7980	4
48	98.2180.00	Tappo G 1/2"x10 - INOX	1
49	98.2100.66	Tappo G 3/8"x13 - INOX	1

DIS. COD. 53.9506.00


- * Fissare con Loctite 542 col. ROSSO
- * Affix with Loctite 542 col. RED
- * Fixer avec de la Loctite 542 couleur ROUGE
- * Mit Loctite 542 ROT befestigen
- * Fijar con Loctite 542 col. ROJO
- * Fixar com Loctite 542 cor. VERMELHA

- ** Lubrificare con grasso al silicone OCILIS 250
- ** To lubricate with silicon grease OCILIS 250
- ** Lubrifier avec gras à la silicone OCILIS 250
- ** Sich mit fett zum Silikon OCILIS 250 schmieren
- ** Para lubricar con la grasa al silicon OCILIS 250
- ** Para lubrificar com a graxa ao silicone OCILIS 250



SS

SERIE 53

	
SS1B1505 - SS1B1507 - SS1B1509 - SS1B1511 SS1B1513 - SS1B1514 - SS1C1509 - SS1C1511 SS1C1513 - SS1C1515	

PISTONE - PISTON D. 15		PISTONE - PISTON D. 18	
SS1B1505 - SS1B1507 - SS1B1509 - SS1C1509 - SS1C1511	SS1B1511 - SS1B1513 - SS1B1514 - SS1C1513 - SS1C1515		

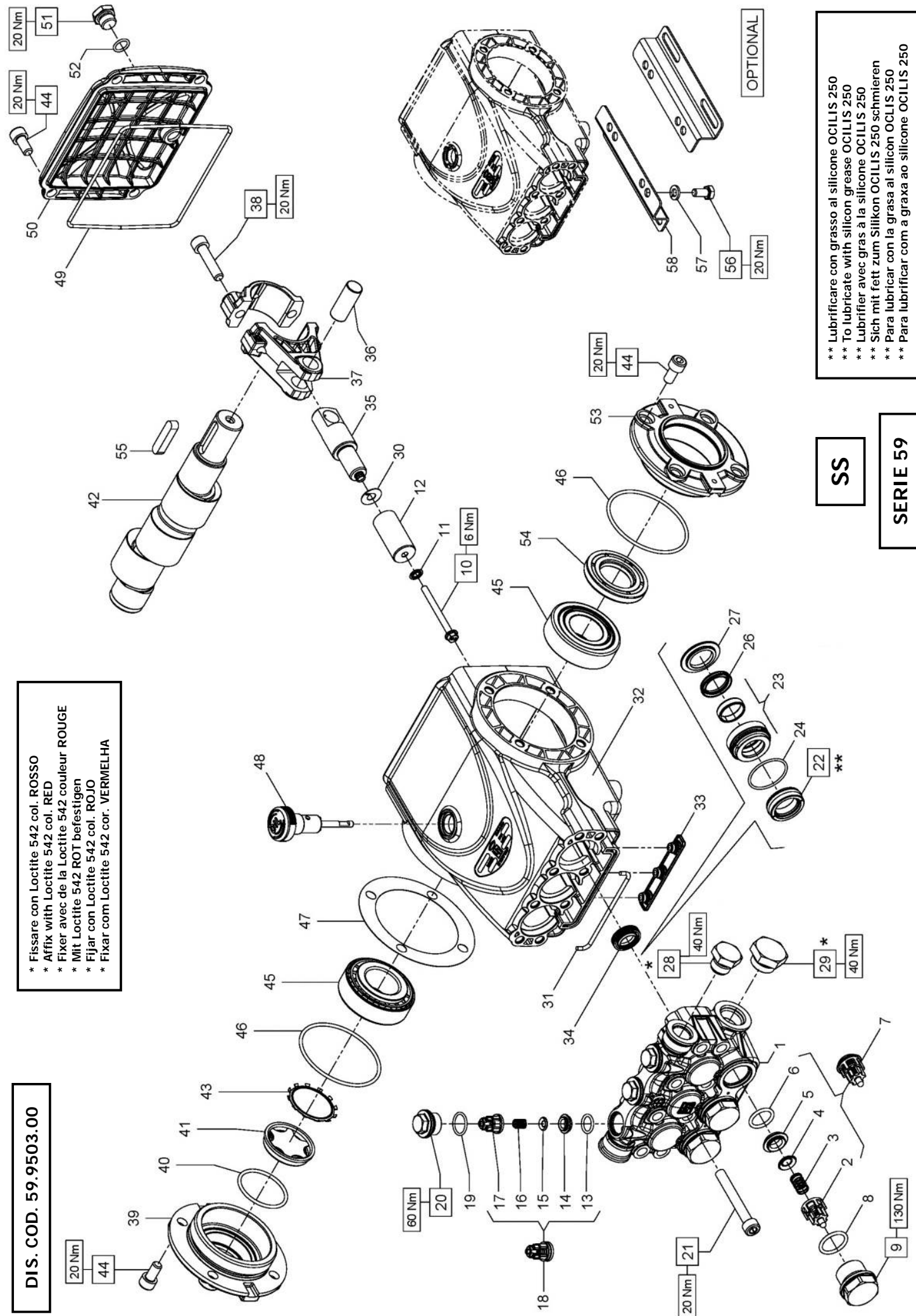
POS	COD.	DESCRIZIONE - DESCRIPTION - KIT	NR
1	53.1215.36 53.1216.36	Testata pistone D. 18 Testata pistone D. 15	1
2	36.2025.51	Guida valvola	341 3
3	94.7373.00	Molla Dm. 9.4x14.8	341 3
4	36.2001.76	Valvola sferica	341 3
5	36.2036.66	Sede valvola	341 3
6	90.3841.00	OR D. 17.13x2.62 NBR 70SH. 3068	341 3
7	36.7130.01	Gr. valvola d'aspirazione	341 3
8	90.3847.00	OR D. 20.24x2.62 NBR 90SH. 3081	335 3
9	98.2214.20	Tappo M24x1.5x13.2	335 3
10	99.1690.00	Vite M5x55 flangiata	3 3
11	96.6905.00	Rosetta D.5.0x11.5x0.4	3 3
12	63.0405.09 53.0400.09	Pistone D.18x38.5 Pistone D.15x38.5	3 3
13	90.3593.00	OR D.15.6x1.78 NBR 70SH. 2062	336 3
14	98.2137.20	Tappo M18x1.5x10 D.23 F12	336 3
15	90.3674.00	OR D.12.0x2.0 NBR 70SH.	334 3
16	53.2111.66	Sede valvola	334 3
17	36.2112.76	Valvola sferica	334 3
18	94.7333.00	Molla Dm. 6.7x10.8	334 3
19	36.2111.51	Guida valvola	334 3

KIT Nr.	KIT 341	KIT 334	KIT 311	KIT 335	PISTON - D.15			PISTON - D.18		
					KIT 336	KIT 337	KIT 338	KIT 339	KIT 340	
Posizioni include Positions included	2 - 3 - 4 5 - 6 (7)	15 - 16 17 - 18 - 19 (20)	33	8 - 9	13 - 14	22 - 24 25	22 - 23 24 - 25 26	22 - 24 25	22 - 23 24 - 25 26	
Nr. Pcs.	3	3	3	3	3	3	1	3	1	

POS	COD.	DESCRIZIONE - DESCRIPTION - KIT	NR
20	36.7245.01	Gr. Valvola di mandata	334 3
21	99.1992.00	Vite M6x60 UNI 5931	8
22	90.2160.00 90.2210.00	Anello. ten. alt. D.15.0x24.0x8.5 HP 337 338 Anello ten. alt. D.18.0x28.0x10.0 HP 339 340	3 3
23	53.2109.56 53.2112.56	Supporto guarnizioni D.18 Supporto guarnizioni D.15	340 3 338 3
24	90.2150.00 90.2200.00	Anello ten. alt. D.15.0x19.5 LP Anello ten. alt. D.18.0x22.5 LP	337 338 3 339 340 3
25	90.3604.00	OR D. 25.12x1.78 NBR 70SH. 2100	337 338 339 340 3
26	53.2110.56 53.2113.56	Anello per tenuta D.18 Anello per tenuta D.15	340 3 338 3
27	98.2100.66	Tappo G3/8"x13	1
28	98.2180.00	Tappo G1/2"x10	1
29	96.6990.00	Rosetta D.7.5x23.0x0.5	3
30	53.2103.82	Guarnizione spugna D. 3x85	1
31	58.2104.51	Protezione	1
32	53.0101.22	Carter pompa	1
33	90.1593.00	Anello rad. D.18.0x24.0x4.0	311 3
34	53.0501.66	Guida pistone	3
35	97.7338.00	Spinotto D.10x26.5	3
36	53.0300.00	Biella	3
37	99.1838.00	Vite M6x14 UNI 5931	8

DIS. COD. 59.9503.00

* Fissare con Loctite 542 col. ROSSO
 * Affix with Loctite 542 col. RED
 * Fixer avec de la Loctite 542 couleur ROUGE
 * Mit Loctite 542 ROT befestigen
 * Fijar con Loctite 542 col. ROJO
 * Fixar com Loctite 542 cor. VERMELHA

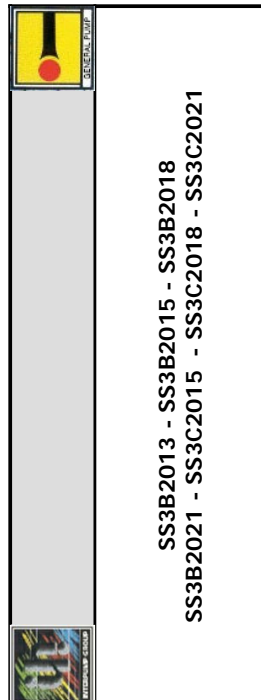


OPTIONAL

** Lubrificare con grasso al silicone OCILIS 250
 ** To lubricate with silicone grease OCILIS 250
 ** Lubrifier avec gras à la silicone OCILIS 250
 ** Sich mit fett zum Silikon OCILIS 250 schmieren
 ** Para lubricar con la grasa al silicon OCILIS 250
 ** Para lubrificar com a graxa ao silicone OCILIS 250

SS

SERIE 59



SS3B2013 - SS3B2015 - SS3B2018

SS3B2021 - SS3C2015 - SS3C2018 - SS3C2021

PISTONE - PISTON D. 20		PISTONE - PISTON D. 22	
SS3B2013 - SS3B2015 SS3C2015 - SS3C2018	SS3B2018 - SS3B2021 - SS3C2021		

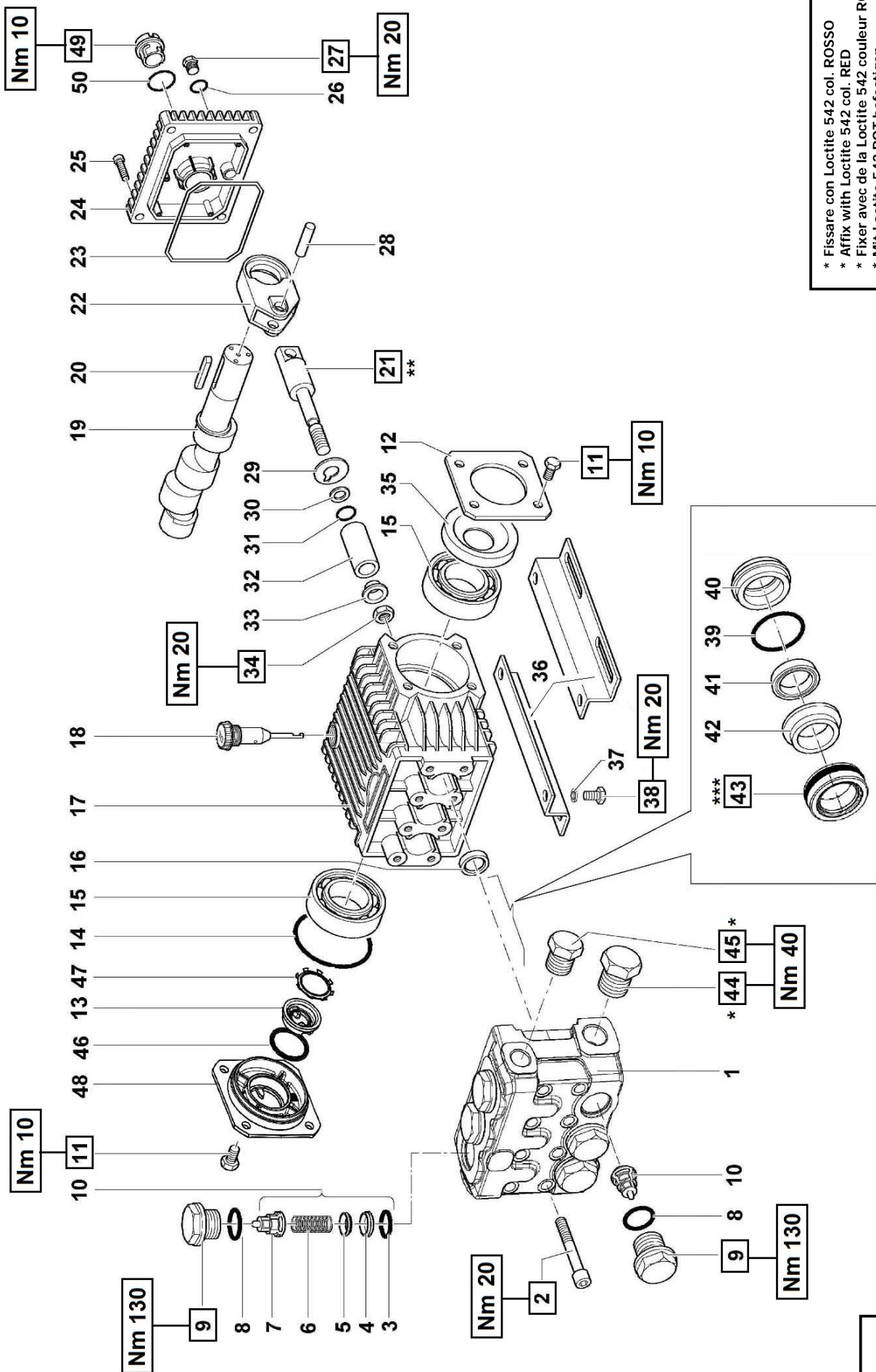
POS	COD.	DESCRIZIONE - DESCRIPTION - KIT	NR
1	59.1222.36 59.1223.36	Testata pompa D.20 Testata pompa D.22	1
2	36.2025.51	Guida valvola d'aspirazione	341
3	94.7373.00	Molla Dm. 9.4x14.8	341
4	36.2001.76	Valvola sferica d'aspirazione	341
5	36.2036.66	Sede valvola d'aspirazione	341
6	90.3841.00	OR D. 17.13x2.62 NBR SH. 70	3068 341
7	36.7130.01	Gr. valvola aspirazione	341
8	90.3847.00	OR D. 20.24x2.62 NBR 70 SH 3081	349
9	98.2229.00	Tappo M24x1.5x17	349
10	99.1690.00	Vite M5x55	3
11	96.6905.00	Rosetta D. 5.0x11.5x0.4	3
12	59.0400.09 59.0401.09	Pistone D. 20x42 Pistone D. 22x42	3
13	90.3674.00	OR D. 12.00x2.00 NBR SH. 70	334
14	53.2111.66	Sede valvola di mandata	334
15	36.2112.76	Valvola sferica di mandata	334
16	94.7333.00	Molla Dm. 6.7x10.4	334
17	36.2111.51	Guida valvola di mandata	334
18	36.7245.01	Gr. valvola di mandata	334

KIT RICAMBI - SPARE KITS

KIT Nr.	KIT 341	KIT 334	KIT 349	KIT 336	PISTON D. 20			PISTON D. 22		
					KIT 350	KIT 351	KIT 352	KIT 353	KIT 354	KIT 355
Posizioni include Positions included	2 - 3 - 4 5 - 6 (7)	13 - 14 - 15 16 - 17 (18)	8 - 9	19 - 20	22 - 24 26	22 - 23 - 24 26 - 27	22 - 24 26	22 - 23 - 24 26 - 27	22 - 23 - 24 26 - 27	22 - 23 - 24 26 - 27
Nr. Pcs.	3	3	3	3	3	1	3	1	3	1

POS	COD.	DESCRIZIONE - DESCRIPTION - KIT	NR
19	90.3593.00	OR D. 15.60x1.78 NBR 70 SH 2062	336
20	98.2137.20	Tappo M18x1.5x10	336
21	99.3176.00	Vite M8x60 UNI 5931	8
22	90.2260.00	An. ten. alt. D. 20.0x30.0x10 HP	350 351
	90.2312.00	An. ten. alt. D. 22.0x32.0x10 HP	352 353
23	59.6064.01 59.6065.01	Gr. supp. guarn./boccola D.20 Gr. supp. guarn./boccola D.22	351 353
24	90.3612.00	OR D. 31.47x1.78 NBR 70 SH. 2125	350 351 352 353
26	90.2250.00 90.2300.00	Anello ten. alt. D. 20x26.15 LP Anello ten. alt. D. 22x26.15 LP	350 351 352 353
27	59.2115.56 59.2116.56	Anello per tenuta D. 20 Anello per tenuta D. 22	351 353
28	98.2100.66	Tappo G 3/8"x13	1
29	98.2180.00	Tappo G 1/2"x10	1
30	96.6990.00	Rosetta D. 7.5x23.0x0.5	3
31	59.2110.82	Guarnizione spugna D. 3x103	1
32	59.0101.22	Carter pompa	1
33	58.2104.51	Protezione	1
34	90.1565.50	Anello rad. D. 15.0x24.0x5.0/7.0	271
35	59.0501.66	Guida pistone	3
36	97.7399.00	Spinotto D. 14x34	3
37	59.0300.01	Biella	3
38	99.3099.00	Vite serraggio biella M 8x35	6

POS	COD.	DESCRIZIONE - DESCRIPTION - KIT	NR
39	59.1502.22	Coperchio laterale spia	1
40	90.3877.00	OR D. 39.34x2.62 NBR 70 SH. 3156	1
41	70.2118.01	Spia livello olio	1
42	59.0201.35 59.0202.35 59.0203.35	Albero ecc. C.13 - SS3B2021 Albero ecc. C.12 - SS3B2015 SS3B2018 Albero ecc. C.10 - SS3B2013 SS3C2015	1
43	90.0756.00	Anello d'arresto ZJ45	1
44	99.3038.00	Vite M8x16 UNI 5931	12
45	91.8375.00	Cuscinetto a rulli	2
46	90.3913.00	OR D. 67.95x2.62 NBR SH. 70	3628
47	97.5678.00 97.5680.00	Spessore D. 74.5x104.0x0.1 Spessore D. 74.5x104.0x0.3	1
48	98.2105.00	Asta livello olio G 3/8"x51	1
49	90.3922.00	OR D. 133.02x2.62 NBR SH. 70	3525
50	59.1601.22	Coperchio posteriore	1
51	98.2040.00	Tappo G 1/4"x9	1
52	90.3585.00	OR D. 10.82x1.78 NBR SH. 70	2043
53	59.1501.22	Coperchio laterale aperto	1
54	90.1648.00	Anello rad. D. 30.0x55.0x7.0	1
55	91.4892.00	Linguetta 8x7x35	1
56	99.3037.00	Vite M 8x16 UNI 5739	4
57	96.7016.00	Rosetta D. 8.4 UNI 1751	4
58	50.2000.74	Piedino pompa	2



* Fissare con Loctite 542 col. ROSSO
 * Affix with Loctite 542 col. RED
 * Fixer avec de la Loctite 542 couleur ROUGE
 * Mit Loctite 542 ROT befestigen
 * Fijar con Loctite 542 col. ROJO
 * Fixar com Loctite 542 cor. VERMELHA
 ** Fissare con Loctite 270 col. VERDE
 ** Affix with Loctite 270 col. GREEN
 ** Fixer avec de la Loctite 270 couleur VERT
 ** Mit Loctite 270 GRÜN befestigen
 ** Fijar con Loctite 270 col. VERDE
 ** Fixar com Loctite 270 cor. VERDE

*** Lubrificare con grasso al silicone OCILIS 250
 *** To lubricate with silicon grease OCILIS 250
 *** Lubrifier avec gras à la silicone OCILIS 250
 *** Sich mit fett zum Silikon OCILIS 250 schmieren
 *** Para lubricar con la grasa al silicón OCILIS 250
 *** Para lubrificar com a graxa ao silicone OCILIS 250

SS

SERIE 63

DIS. COD. 63.9508.00



SSE1505 - SSE1507 - SSE1509 - SSE1411 - SSE1413
SSE1414 - SSU1509 - SSU1511 - SSU1413 - SSU1415

PISTONE - PISTON D. 15		PISTONE - PISTON D. 18	
POS	COD.	DESCRIZIONE - DESCRIPTION - KIT	NR
1	63.1216.36 63.1219.36	Testata D. 15 Testata D. 18	1
2	99.3193.00	Vite M8x65 UNI 5931	8
3	90.3841.00	OR D. 17.13x2.62 NBR SH. 70 3068 192	6
4	36.2036.66	Sede valvola	192
5	36.2001.76	Valvola	192
6	94.7373.00	Molla Dm. 9.4x14.8	192
7	36.2025.51	Guida valvola	192
8	90.3847.00	OR D. 20.24x2.62 NBR SH. 90 3081	6
9	98.2229.00	Tappo M24x1.5x17	6
10	36.7130.01	Gr. valvola aspiraz./mandata	192
11	99.1808.00	Vite M6x10 UNI 5739	8
12	63.1500.76	Coperchio laterale	1
13	53.2108.51	Vetrino spia livello olio	1
14	90.3848.00	OR D. 56.82x2.62 NBR SH. 70 3225	1
15	91.8331.00	Cuscinetto a sfere	2
16	90.1595.00	Anello rad. D. 18.0x26.0x6.0	159
17	63.0100.22	Carter pompa	1
18	98.2103.00	Tappo carico olio G 3/8"	1

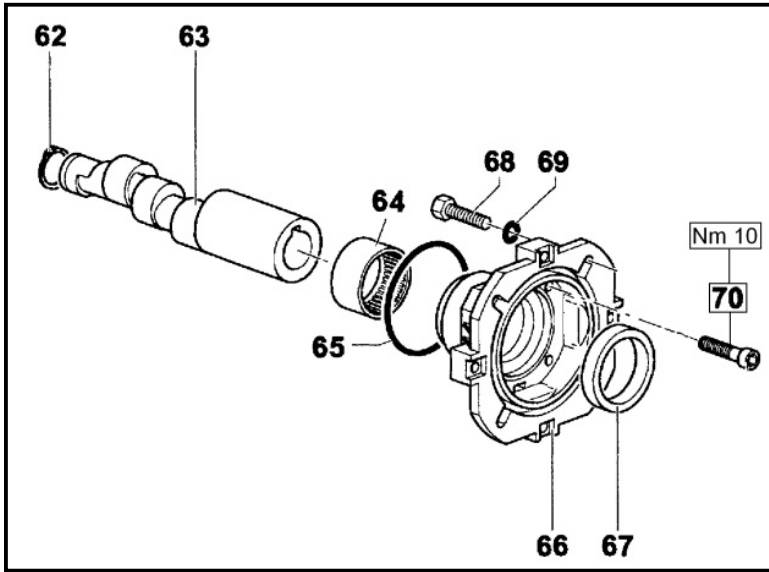
POS	COD.	DESCRIZIONE - DESCRIPTION - KIT	NR
19	63.0212.65 63.0216.65	Albero ecc. C.10 - SSE1507 SSE1411 SSU1509 SSU1413 Albero ecc. C.12 - SSE1509 SSE1413 SSU1511 SSU1415	1
20	91.4892.00	Linguetta	1
21	63.0501.66	Guida pistone	3
22	63.0300.22	Biella	3
23	90.3920.00	OR D. 101.27x2.62 NBR SH. 70 3400	1
24	63.1600.22 63.1601.22	Coperchio posteriore - OPTIONAL Coperchio posteriore	1
25	99.1838.00	Vite M6x14 UNI 5931	4
26	90.3585.00	OR D. 10.82x1.78 NBR SH. 70 2043	1
27	98.2040.00	Tappo G 1/4"x9	1
28	97.7335.00	Spinotto D. 9x27.5	3
29	96.7076.00	Rosetta D. 9x25.0x0.5	3
30	90.5022.00	Anello antiest. D. 6.2x9.0x1.5	3
31	90.3573.00	OR D. 5.28x1.78 NBR SH. 70 2021	3
32	52.0400.09 44.0401.09	Pistone D. 15 Pistone D. 18	3
33	63.2115.66	Rosetta con collare D. 8	3
34	92.2215.00	Dado M8 - INOX	3
35	90.1641.00	Anello rad. D. 25.0x62.0x10.0	1
36	50.2000.74	Piedino pompa	2
37	96.7016.00	Rosetta D. 8.4 UNI 1751	4
38	99.3037.00	Vite M8x16 5739	4

KIT RICAMBI - SPARE KITS			PISTONE - PISTON D. 15		PISTONE - PISTON D. 18	
KIT Nr.	KIT 159	KIT 192	KIT 214	KIT 215	KIT 204	KIT 216
Posizioni include Positions included	16	3 - 4 5 - 6 - 7 (10)	41 - 43	39 - 40 41 - 42 43	41 - 43	39 - 40 41 - 42 43
Nr. Pcs.	3	6	3	1	3	1

POS	COD.	DESCRIZIONE - DESCRIPTION - KIT	NR
39	90.3608.00	OR D. 28.3x1.78 NBR SH. 70 2112 215-216	3
40	63.0806.66 63.0807.66	Anello di fondo D. 15 - INOX Anello di fondo D. 18 - INOX	215 216
41	90.2150.00 90.2200.00	Anello ten. alt. D. 15x19.5 LP Anello ten. alt. D. 18x22.5 LP	214-215 204-216
42	63.2164.66 63.2165.66	Anello intermedio D. 15 - INOX Anello intermedio D. 18 - INOX	215 216
43	90.2160.00 90.2210.00	Anello ten. alt. D. 15x24x8.5 HP Anello ten. alt. D. 18x28x10 HP	214-215 204-216
44	98.2180.00	Tappo G 1/2"x10	1
45	98.2100.66	Tappo G 3/8"x13 - INOX	1
46	90.3859.00	OR D. 26.07x2.62 NBR SH. 70 3100	1
47	90.0671.00	Anello d'arresto ZJ30	1
48	53.1200.22	Coperchio laterale carter	1
49	63.2100.51	Spia livello olio - OPTIONAL	1
50	90.4051.00	OR D. 26.58x3.53 NBR SH. 70 4106 OPTIONAL	1

VERSION B (for electric motors IEC 100-112 B14)

SSE1505 - SSE1507 - SSE1509 - SSE1411
SSE1413 - SSE1414



DIS. COD. 63.9502.00

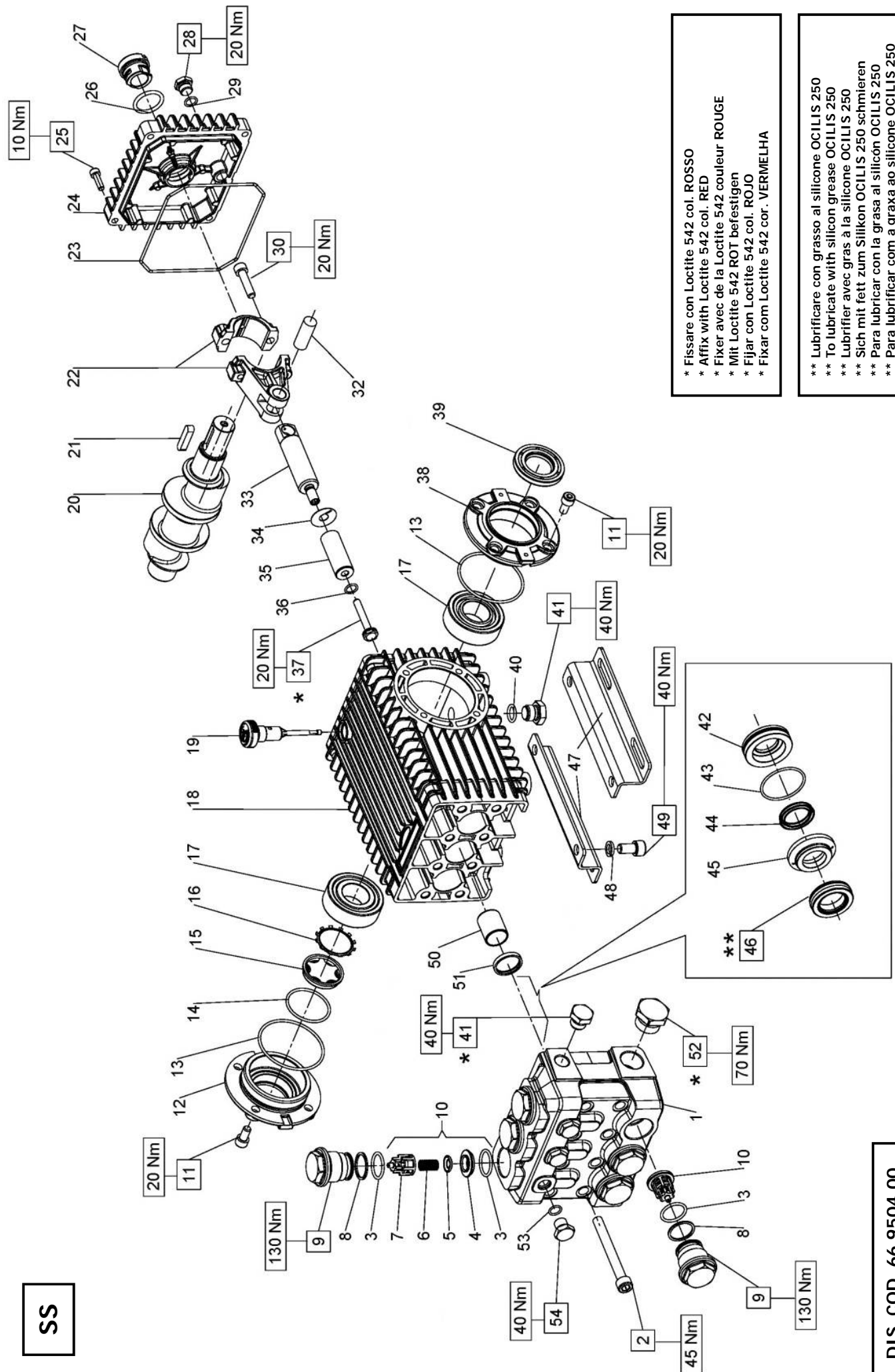
POS	COD.	DESCRIZIONE - DESCRIPTION	NR
62	90.0635.00	Anello d'arresto A25 UNI 7435	1
63	63.0245.65 63.0252.65 63.0256.65 63.0295.65	Albero ecc. C.6.5 - SSE1505 Albero ecc. C.10 - SSE1507 SSE1411 Albero ecc. C.12 - SSE1509 SSE1413 Albero ecc. C.13 - SSE1414	1
64	91.8568.00	Boccola a rullini	1
65	90.4097.00	OR D. 55.56x3.56 NBR SH. 70 159	1
66	10.0494.22	Flangia per motore elettrico	1
67	90.1690.00	Anello rad. D. 45.0x62.0x8.0	1
68	99.3067.00	Vite M8x25 UNI 5739	4
69	96.7014.00	Rosetta D. 8.4x13.0x0.8	4
70	99.1913.00	Vite M6x30 UNI 5931	4

SERIE 63



SERIE 66


SS




* Fissare con Loctite 542 col. ROSSO
* Affix with Loctite 542 col. RED
* Fixer avec de la Loctite 542 couleur ROUGE
* Mit Loctite 542 ROT befestigen
* Fijar con Loctite 542 col. ROJO
* Fixar com Loctite 542 cor. VERMELHA

** Lubrificare con grasso al silicone OCILIS 250
** To lubricate with silicon grease OCILIS 250
** Lubrifier avec gras à la silicone OCILIS 250
** Sich mit fett zum Silikon OCILIS 250 schmieren
** Para lubricar con la grasa al silicon OCILIS 250
** Para lubrificar com a graxa ao silicone OCILIS 250

DIS. COD. 66.9504.00



**SSE2025 - SSE2030 - SSE2035 - SSE2041
SSU2030 - SSU2035 - SSU2040 - SSU2050**



PISTONE - PISTON D. 20		PISTONE - PISTON D. 22	
SSE2025 - SSU2030 - SSU2035		SSE2030 - SSE2035 - SSU2040	
PISTONE - PISTON D. 24			
SSE2041 - SSU2050			

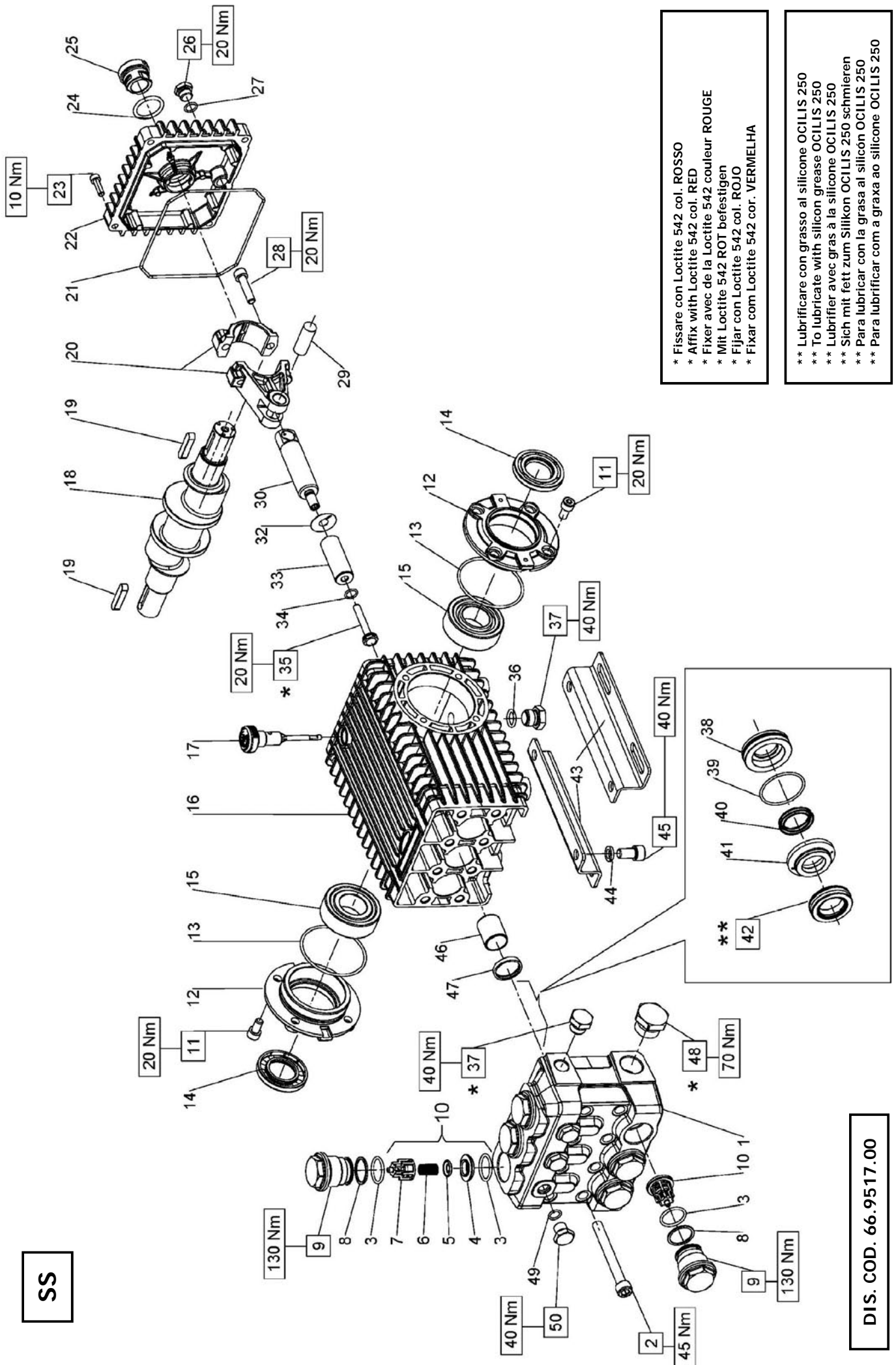
POS	COD.	DESCRIZIONE - DESCRIPTION - KIT	NR
1	66.1203.36 66.1204.36 66.1205.36	Testata D. 20 Testata D. 22 Testata D. 24	1
2	99.3802.00	Vite M10x90 UNI 5931	8
3	90.3857.00	OR D. 23.81x2.62 NBR SH. 70 132 228	12
4	36.2037.66	Sede valvola sferica	228
5	36.2034.76	Valvola	228
6	94.7388.00	Molla Dm. 10.0x18.5	228
7	36.2035.51	Guida valvola	228
8	90.5165.00	Anello antiest. D. 24.7x29.0x1.5	6
9	66.1302.66	Tappo M32x1.5x29.5	6
10	36.7131.01	Gr. valvola aspiraz./mandata	228
11	99.3038.00	Vite M8x16 UNI 5931 - INOX	8
12	47.1512.22	Coperchio cuscinetto lato spia	1
13	90.3913.00	OR D. 67.95x2.62 NBR SH. 70 3268	2
14	90.3877.00	OR D. 39.34x2.62 NBR SH. 70 3156	1
15	70.2118.01	Spia livello olio	1
16	90.0756.00	Anello d'arresto D. 45	1
17	91.8380.00	Cuscinetto a rulli	2

KIT Nr.	KIT 2	KIT 3	KIT 228	PISTONE - PISTON D. 20		PISTONE - PISTON D. 22		PISTONE - PISTON D. 24	
				KIT 206	KIT 217	KIT 208	KIT 218	KIT 210	KIT 219
Posizioni incluse Positions included	51	39	3 - 4 5 - 6 7 (10)	44 - 46	42 - 43 44 - 45 46	44 - 46	42 - 43 44 - 45 46	44 - 46	42 - 43 44 - 45 46
Nr. Pcs.	3	2	6	3	1	3	1	3	1

POS	COD.	DESCRIZIONE - DESCRIPTION - KIT	NR
18	66.0100.22	Carter pompa	1
19	98.2106.00	Tappo carico olio G 3/8"	1
20	66.0200.35 66.0204.35	Albero ecc. C. 19 - SSE2025 SSE2030 SSU2030 Albero ecc. C. 21 - SSE2035 SSE2014 SSU2035 SSU2040 SSU2050	1
21	91.4892.00	Linguetta 9x7x35 UNI 6604	1
22	66.0300.01	Biella completa	3
23	90.3922.00	OR D. 133.02x2.62 NBR SH. 70 3525	1
24	66.1600.22	Coperchio posteriore	1
25	99.1883.00	Vite M6x20 UNI 5931	4
26	90.4051.00	OR D. 26.58x3.53 NBR SH. 70 4106	1
27	63.2100.51	Spia livello olio	1
28	98.2040.00	Tappo G 1/4"x9	1
29	90.3585.00	OR D. 10.82x1.78 NBR SH. 70 2043	1
30	99.3099.00	Vite M8x35 UNI 5931	6
32	97.7405.00	Spinotto D. 14x39	3
33	66.0501.66	Guida pistone	3
34	96.7098.00	Rosetta D. 10.0x28.0x0.5	3
35	66.0400.09 66.0401.09 66.0404.09	Pistone D. 20x54 Pistone D. 22x54 Pistone D. 24x54	3
36	90.3584.00	OR D. 10.82x1.78 NBR SH. 90 2043	3
37	66.2196.66	Vite fissaggio pistone	3
38	47.1510.22	Coperchio cuscinetto aperto	1

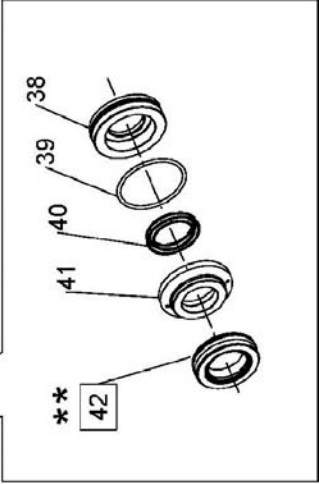
SERIE 66

SS



* Fissare con Loctite 542 col. ROSSO
* Affix with Loctite 542 col. RED
* Fixer avec de la Loctite 542 couleur ROUGE
* Mit Loctite 542 ROT befestigen
* Fijar con Loctite 542 col. ROJO
* Fixar com Loctite 542 cor. VERMELHA

** Lubrificare con grasso al silicone OCILIS 250
** To lubricate with silicon grease OCILIS 250
** Lubrifier avec gras à la silicone OCILIS 250
** Sich mit fett zum Silikon OCILIS 250 schmieren
** Para lubricar con la grasa al silicon OCILIS 250
** Para lubrificar com a graxa ao silicone OCILIS 250



DIS. COD. 66.9517.00

SSE2025 - SSE2030 - SSU2030

PISTONE - PISTON D. 20		PISTONE - PISTON D. 22	
SSE2025 - SSU2030		SSE2030	

POS	COD.	DESCRIZIONE - DESCRIPTION - KIT	NR
1	66.1203.36 66.1204.36	Testata D. 20 Testata D. 22	1
2	99.3802.00	Vite M10x90 UNI 5931	8
3	90.3857.00	OR D. 23.81x2.62 NBR SH. 70 132 228	12
4	36.2037.66	Sede valvola sferica	228
5	36.2034.76	Valvola	228
6	94.7388.00	Molla Dm. 10x18.5	228
7	36.2035.51	Guida valvola	228
8	90.5165.00	Anello antiest. D. 24.7x29.0x1.5	6
9	66.1302.66	Tappo M32x1.5x29.5	6
10	36.7131.01	Gr. valvola aspiraz./mandata	228
11	99.3038.00	Vite M8x16 UNI 5931	8
12	47.1510.22	Coperchio cuscinetto aperto	2
13	90.3913.00	OR D. 67.95x2.62 NBR SH. 70 3268	2
14	90.1648.00	Anello rad. D. 30.0x55.0x7.0	3
15	91.8380.00	Cuscinetto a rulli	2
16	66.0100.22	Carter pompa	1
17	98.2106.00	Tappo carico olio G 3/8"	1
18	66.0210.35	Albero ecc. C.19	1
19	91.4892.00	Linguetta 9x7x35 UNI 6604	2

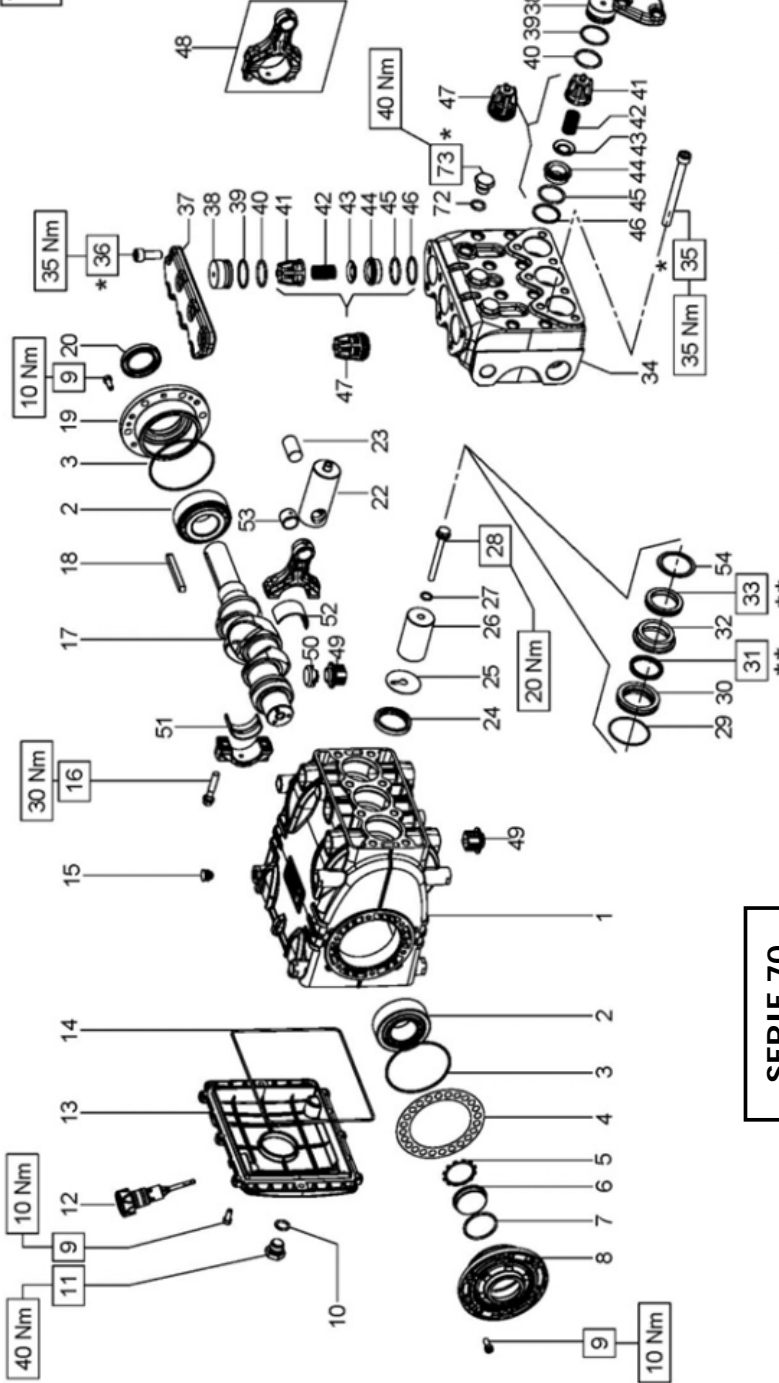
KIT RICAMBI - SPARE KITS

KIT Nr.	KIT 2	KIT 3	KIT 228	PISTONE - PISTON D. 20		PISTONE - PISTON D. 22	
				KIT 206	KIT 217	KIT 208	KIT 218
Posizioni include Positions included	47	14	3 - 4 5 - 6 7 (10)	40 - 42	38 - 39 40 - 41 42	40 - 42	38 - 39 40 - 41 42
Nr. Pcs.	3	2	6	3	1	3	1

POS	COD.	DESCRIZIONE - DESCRIPTION - KIT	NR
20	66.0300.01	Biella completa	3
21	90.3922.00	OR D. 133.02x2.62 NBR SH. 70 3525	1
22	66.1600.22	Coperchio posteriore	1
23	99.1883.00	Vite M6x20 UNI 5931	4
24	90.4051.00	OR D. 26.58x3.53 NBR SH. 70 4106	1
25	63.2100.51	Spia livello olio	1
26	98.2040.00	Tappo G 1/4"x9	1
27	90.3585.00	OR D. 10.82x1.78 NBR SH. 70 2043	1
28	99.3099.00	Vite M8x35 UNI 5931	6
29	97.7405.00	Spinotto D. 14x39	3
30	66.0501.66	Guida pistone	3
32	96.7098.00	Rosetta D. 10x28.0x0.5	3
33	66.0400.09 66.0401.09	Pistone D. 20x54 Pistone D. 22x54	3
34	90.3584.00	OR D. 10.82x1.78 NBR SH. 90 2043	3
35	66.2196.66	Vite fissaggio pistone	3
36	90.3833.00	OR D. 13.95x2.62 NBR SH. 70 3056	1
37	98.2100.66	Tappo G 3/8"x13	2
38	66.0817.66 66.0818.66	Anello di fondo D. 20 Anello di fondo D. 22	217 218
39	90.3616.00	OR D. 34.65x1.78 NBR SH. 70 2137 217-218-219	3
40	90.2250.00 90.2300.00	Anello tenuta D. 20x26.15 LP Anello tenuta D. 22x28.15 LP	206-217 208-218

POS	COD.	DESCRIZIONE - DESCRIPTION - KIT	NR
41	66.2172.66 66.2173.66	Anello intermedio D. 20 Anello intermedio D. 22	217 218
42	90.2260.00 90.2312.00	Anello tenuta D. 20x30x10 HP Anello tenuta D. 22x32x10 HP	206-217 208-218
43	47.2000.74	Piede pompa	2
44	96.7106.00	Rosetta D. 10.2 DIN 7980	4
45	99.3644.00	Vite M10x18 UNI 5931	4
46	90.9126.00	Boccola D. 22x25x30	3
47	90.1625.00	Anello rad. D. 22.0x32.0x5.5	2
48	98.2266.00	Tappo G 3/4"x16	1
49	90.3585.00	OR D. 10.82x1.78 NBR SH. 70 2043	3
50	98.2046.00	Tappo G 1/4"x13	3

VERSIONI: SS7061H
SS7070H
SS7091H



* Lubrificare le filetture con grasso al Bisolfuro di Molibdeno.
* Lubricate the threads with Molybdenum Disulfide grease.
* Graisser le filetage avec Bisulfure de Molybdène graisse.
* Schmier die Gewinde mit Molybdändisulfidgritt.
* Lubrique las roscas con grasa de Disulfuro de Molibdeno.
* Lubrifique com graxa de Molibdênio Dissulfeto.

** Lubrificare con grasso al silicone.
** Lubricate with silicon grease.
** Graisser avec de la graisse su silicone.
** Schmierien mit Silikonfett.
** Lubrique con grasa de silicona.
** Lubrifique com graxa de silicone.

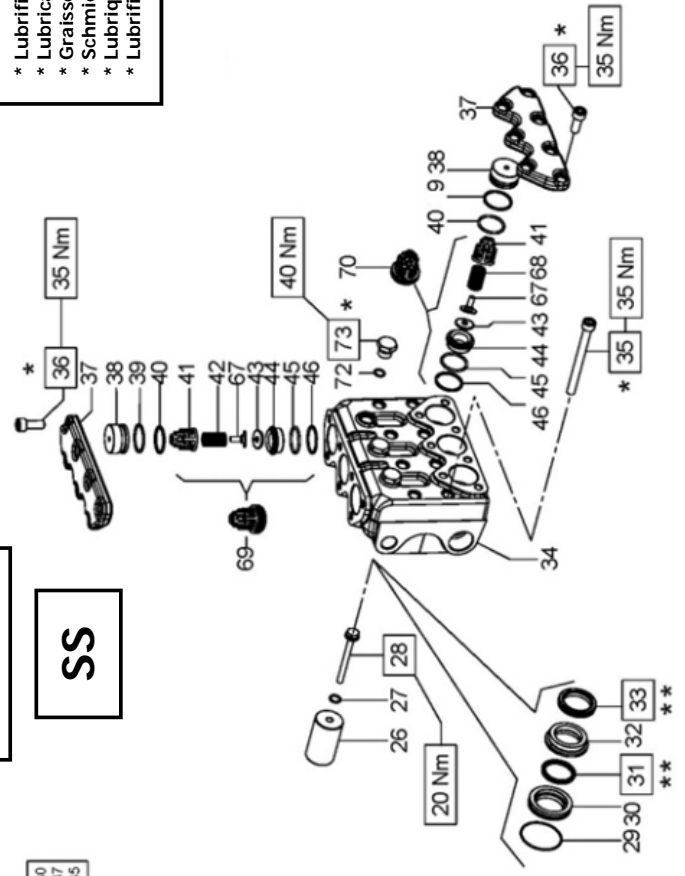
*** Fissare con Loctite 243 col. BLU
*** Affix with Loctite 243 col. BLUE
*** Fixer avec de la Loctite 243 couleur BLUE
*** Mit Loctite 243 BLAU befestigen
*** Fijar con Loctite 243 col. AZUL
*** Fixar com Loctite 243 cor. BLUE

COD. DIS. 70.9510.00

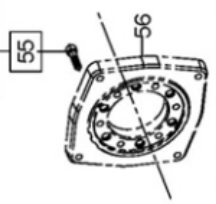
SERIE 70

SS

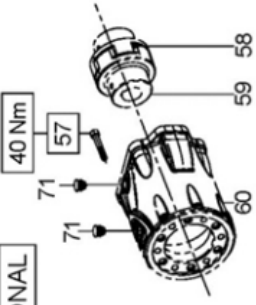
VERSIONI: SS7030
SS7037
SS7045



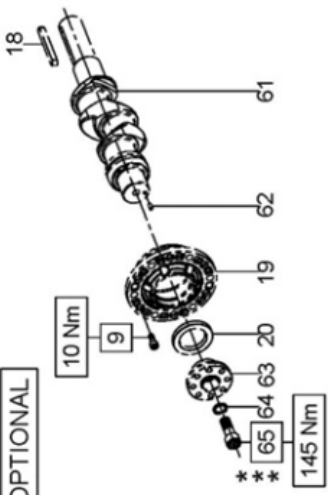
Flangia tipo "A" per azionamenti diretti
OPTIONAL



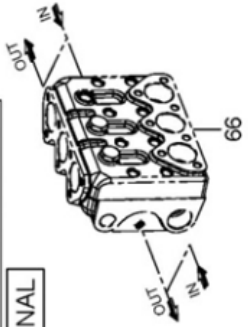
Campana e Giunto per accoppiamenti a motori idraulici SAE C
OPTIONAL

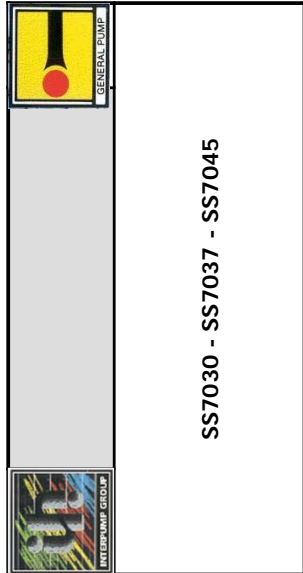


Preso di forza ausiliare su lato opposto azionamento
OPTIONAL



Sistema Flussaggio tenute
OPTIONAL





SS7030 - SS7037 - SS7045

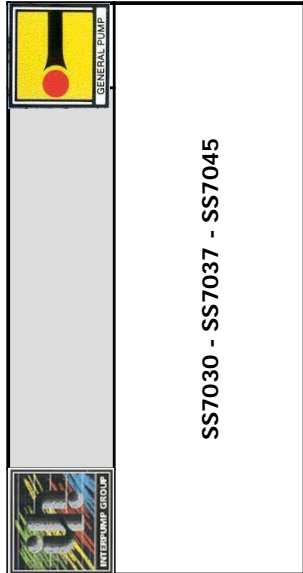
PISTON D. 20	PISTON D. 22	PISTON D. 24		
SS7030	SS7037	SS7045		
POS	COD.	DESCRIZIONE - DESCRIPTION - KIT	NR	
1	70.0100.22	Carter pompa	1	
2	91.8477.00	Cuscinetto a sfere	2	
3	90.3915.00	OR D. 80.6x2.62 NBR SH. 70 3318 2171-2211-2212	2	
4	70.2200.81 70.2203.81	Spessore 0.1 mm. Spessore 0.25 mm.	-	
5	90.0756.00	Anello d'arresto D. 45	2171-2211-2212	1
6	70.2118.01	Spia livello olio		1
7	90.3877.00	OR D. 39.34x2.62 NBR SH. 70 3156 2171-2211-2212		1
8	70.1501.22	Coperchio cuscinetto lato spia		1
9	99.1852.00	Vite M6x16 UNI 5931		20
10	90.3833.00	OR D. 13.95x2.62 NBR SH. 70 3056 2171-2211-2212		1
11	98.2100.66	Tappo G 3/8"x13		1
12	98.2115.00	Tappo con asta D. 21.5x70		1
13	70.1600.22	Coperchio posteriore carter		1
14	90.3942.00	OR D. 190.17x2.62 NBR SH. 70 3750 2171-2211-2212		1
15	98.2005.00	Tappo per foro D. 15		5
16	99.3123.00	Vite serraggio biella		6
17	70.0200.35	Albero ecc. C.23		1

POS	COD.	DESCRIZIONE - DESCRIPTION - KIT	NR	
18	91.4900.00	Linguetta 8x7x70 UNI 6604	1	
19	70.1500.22	Coperchio cuscinetto lato PTO	1	
20	90.1668.00	Anello rad. D. 35.0x52.0x7.0 2171-2211-2212	1	
22	70.0500.15	Guida pistone	3	
23	97.7420.00	Spinotto D. 18x36	3	
24	90.1677.00	Anello rad. D. 36.0x47.0x6.0/7.5 2171-2211-2212	3	
25	96.7099.00	Rosetta D. 10.0x45.0x1.0	3	
26	70.0400.09 70.0401.09 70.0402.09	Pistone D. 20x95 Pistone D. 22x95 Pistone D. 24x62	3	
27	90.3671.00	OR D. 11.00x2.00 NBR SH. 90 2171-2211-2212	3	
28	70.2218.66	Vite fissaggio pistone	3	
29	90.3626.00	OR D. 50.52x1.78 NBR SH. 70 2200 2171-2211-2212	3	
30	70.0815.66 70.0816.66 70.0813.66	Anello di fondo D. 20 Anello di fondo D. 22 Anello di fondo D. 24	3	
31	90.2250.00 90.2300.00 90.2350.00	An. ten. alt. D. 20x26.15 LP An. ten. alt. D. 22x26.15 LP An. ten. alt. D. 24x30.15 LP	238-2211 202-2212 2170-2171	3
32	70.2236.66 70.2238.66 70.2226.66	Anello intermedio D. 20 Anello intermedio D. 22 Anello intermedio D. 24		3
33	90.2262.00 90.2310.00 90.2364.00	An. ten. alt. D. 20x35x9 HP An. ten. alt. D. 22x35x9 HP An. ten. alt. D. 24x35x11.5 HP	238-2211 202-2212 2170-2171	3

POS	COD.	DESCRIZIONE - DESCRIPTION - KIT	NR	
34	70.1253.36 70.1240.36	Testata pompa D. 20 Testata pompa D. 22-24	1	
35	99.3818.00	Vite M10x110 UNI 5931	8	
36	99.3670.00	Vite M10x25 UNI 5631	14	
37	70.2215.36	Coperchio valvole	2	
38	70.2221.66	Tappo valvole aspiraz./mandata	6	
39	90.5180.00	Anello antiest. D. 32.4x36.5x1.5 2171-2211-2212	6	
40	90.3865.00	OR D. 29.82x2.62 NBR SH. 70 3118 2171-2211-2212	6	
41	36.2097.51	Guida valvola aspir./mand. 2120-2121	6	
42	94.7401.00	Molla Dm. 12.0x17.0	2121	3
43	36.2098.66	Valvola sferica	2120-2121	6
44	36.2094.66	Sede valvola	2120-2121	6
45	90.3865.00	OR D. 29.82x2.62 NBR SH. 3118 2120-2121-2171-2211-2212	2121-2211-2212	6
46	90.5178.00	Anello antiest. D. 31.0x35.5x1.5 2120-2121-2171-2211-2212	2121-2211-2212	6
48	70.0305.11	Biella completa		3
49	70.2225.51	Tappo carter		6
50	71.2259.51	Cappuccio tappo carter		3
51	90.9220.00 90.9221.00 90.9222.00	Semiboc. testa biella - Sup. 2156 Semiboc. testa biella +0.25 - Sup.2157 Semiboc. testa biella +0.50 - Sup.2158		3

KIT RICAMBI - SPARE KITS

KIT NR.	KIT 2120	KIT 2121	KIT 2156 2157 - 2158	PISTONE - PISTON D. 20		PISTONE - PISTON D. 22		PISTONE - PISTON D. 24	
				KIT 238	KIT 2211	KIT 202	KIT 2212	KIT 2170	KIT 2171
Posizioni include Positions included	41 - 43 44 - 45 46 - 67 68 (70)	41 - 42 43 - 44 45 - 46 67 (69)	51 - 52	31 - 33	3 - 5 - 7 10 - 14 - 20 24 - 27 - 29 31 - 33 - 39 40 - 45 - 46 - 72	3 - 5 - 7 10 - 14 - 20 24 - 27 - 29 31 - 33 - 39 40 - 45 - 46 - 72	31 - 33	31 - 33	3 - 5 - 7 10 - 14 - 20 24 - 27 - 29 31 - 33 - 39 40 - 45 - 46 - 72
Nr. Pcs.	3	3	3	3	1	1	3	3	1



KIT RICAMBI – SPARE KITS		PISTONE – PISTON D. 20		PISTONE – PISTON D. 22		PISTONE – PISTON D. 24	
KIT NR.	KIT 2120	KIT 2121	KIT 2156 2157 - 2158	KIT 238	KIT 2211	KIT 202	KIT 2170
Posizioni incluse Positions included	41 - 43 44 - 45 46 - 67 68 (70)	41 - 42 43 - 44 45 - 46 67 (69)	51 - 52	31 - 33	3 - 5 - 7 10 - 14 - 20 24 - 27 - 29 31 - 33 - 39 40 - 45 - 46 - 72	31 - 33	31 - 33
Nr. Pcs.	3	3	3	3	1	3	3

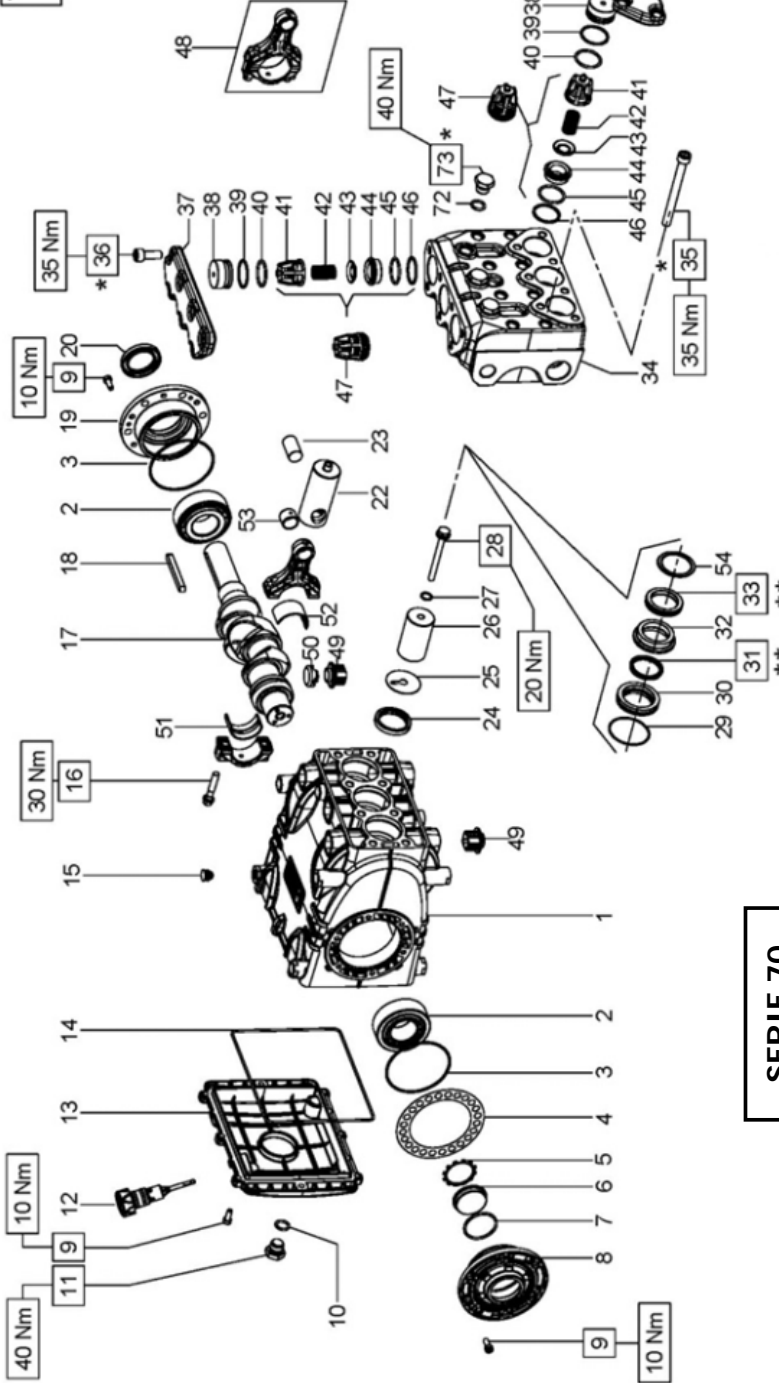
PISTON D. 20	PISTON D. 22	PISTON D. 24
SS7030	SS7037	SS7045

POS	COD.	DESCRIZIONE – DESCRIPTION - KIT	NR
52	90.9223.00 90.9224.00 90.9225.00	Semiboc. testa biella - Inf. 2156 Semiboc. testa biella +0.25 - Inf. 2157 Semiboc. testa biella +0.50 - Inf. 2158	3
53	90.9100.00	Boccola piede biella	3
54	70.2237.66 SS7030 SS7037	Distanziale per tenuta D. 20-22	3
67	36.2101.51	Guida interna valvola 2120-2121	6
68	94.7397.00	Molla Dm. 11.4x20.0 2120	3
69	36.7167.01	Gr. valvola di mandata 2121	3
70	36.7166.01	Gr. valvola d'aspirazione 2120	3
72	90.3585.00	OR D. 10.82x1.78 NBR SH. 70 2043 2171-2211-2212	3
73	98.2046.00	Tappo G 1/4"x13	3
SISTEMA FLUSHING - FLUSHING SYSTEM			
66	-	Testata pompa – FLUSHING SYSTEM	1

AZIONAMENTI SPECIALI – SPECIAL DRIVES			
AZIONAMENTO DIRETTO CON FLANGIA TIPO A DIRECT DRIVE WITH FLANGE TYPE A			
POS	COD.	DESCRIZIONE – DESCRIPTION - KIT	NR
55	99.3084.00	Vite M8x30 UNI 5931	6
56	10.0673.20	Flangia per motore idraulico	1
AZIONAMENTO IDRAULICO CON CAMPANA E GIUNTO SAE-B HYDRAULIC DRIVE WITH FLANGE AND FLEXIBLE COUPLING SAE-B			
71	98.2060.00	Tappo per foro D. 15	4
57	99.3136.00	Vite M8x45 UNI 5931	6
58	10.0755.47	Elemento elastico	1
59	10.7430.01	Giunto elastico D. 30.0x25.4	1
60	10.0752.20	Flangia per motore idraulico SAE-B	1
AZIONAMENTO CON PRESA DI FORZA AUSILIARE DRIVE WITH AUXILIARY PTO			
9	99.1854.00	Vite M6x16 UNI 5931	6
18	91.4900.00	Linguetta 8x7x70 UNI 6604	1
19	70.1500.22	Coperchio cuscinetto lato PTO	1
20	90.1668.00	Anello rad. D. 35.0x52.0x7.0	1
61	70.0205.35	Albero ecc. C.23	1
62	97.6152.00	Spina D. 5.0x10.0	1
63	70.2234.54	Dispositivo presa di forza ausiliare	1
64	96.7160.00	Rosetta D. 12.0x18.0x1.0	1
65	99.4295.00	Vite M12x35 UNI 5931	1



VERSIONI: SS7061H
SS7070H
SS7091H



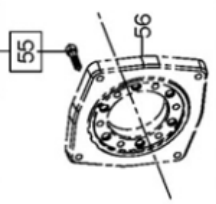
* Lubrificare le filetture con grasso al Bisolfuro di Molibdeno.
* Lubricate the threads with Molybdenum Disulfide grease.
* Graisser le filetage avec Bisulfure de Molybdène graisse.
* Schmier die Gewinde mit Molybdändisulfidgras.
* Lubrique las roscas con grasa de Disulfuro de Molibdeno.
* Lubrifique com graxa de Molibdênio Dissulfeto.

** Lubrificare con grasso al silicone.
** Lubricate with silicon grease.
** Graisser avec de la graisse su silicone.
** Schmier mit Silikonfett.
** Lubrique con grasa de silicona.
** Lubrifique com graxa de silicone.

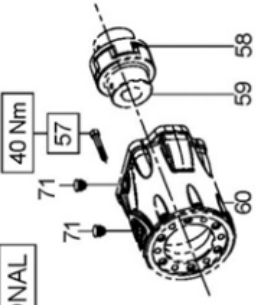
*** Fissare con Loctite 243 col. BLU
*** Affix with Loctite 243 col. BLUE
*** Fixer avec de la Loctite 243 couleur BLUE
*** Mit Loctite 243 BLAU befestigen
*** Fijar con Loctite 243 col. AZUL
*** Fixar com Loctite 243 cor. BLUE

COD. DIS. 70.9510.00

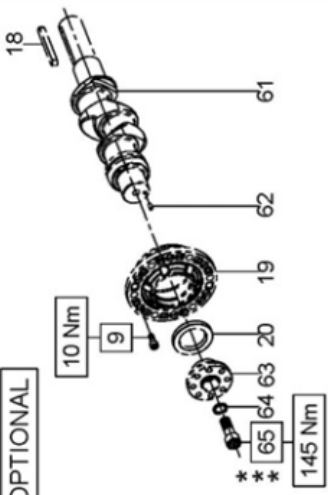
Flangia tipo "A" per azionamenti diretti
OPTIONAL



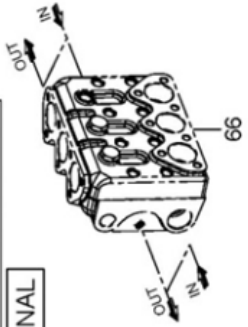
Campana e Giunto per accoppiamenti a motori idraulici SAE C
OPTIONAL



Preso di forza ausiliare su lato opposto azionamento
OPTIONAL



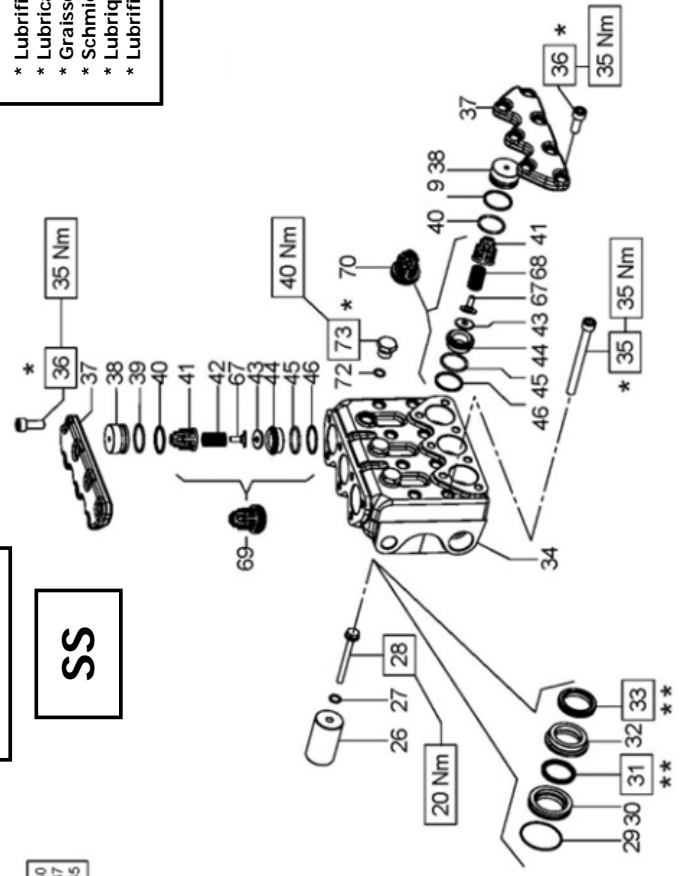
Sistema Flussaggio tenute
OPTIONAL

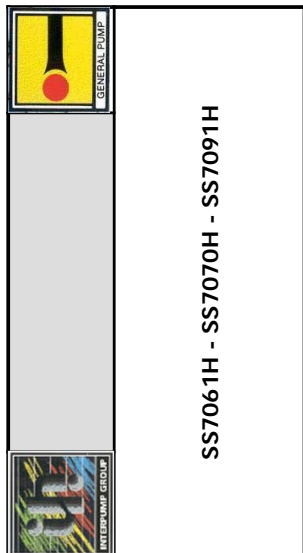


SERIE 70

SS

VERSIONI: SS7030
SS7037
SS7045





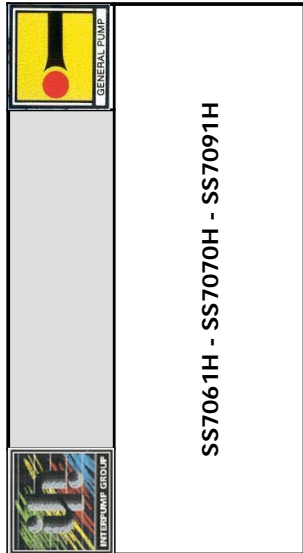
KIT RICAMBI – SPARE KITS

KIT NR.	KIT 2040	KIT 2156 2157 - 2158	PISTONE – PISTON D. 28		PISTONE – PISTON D. 30		PISTONE – PISTON D. 36	
			KIT 2119	KIT 2122	KIT 2204	KIT 2213	KIT 212	KIT 2041
Posizioni include Positions included	41 - 42 43 - 44 45 - 46 (47)	51 - 52	31 - 33	3 - 5 - 7 10 - 14 - 20 24 - 27 - 29 31 - 33 - 39 40 - 45 - 46 - 72	31 - 33	31 - 33	3 - 5 - 7 10 - 14 - 20 24 - 27 - 29 31 - 33 - 39 40 - 45 - 46 - 72	3 - 5 - 7 10 - 14 - 20 24 - 27 - 29 31 - 33 - 39 40 - 45 - 46 - 72
Nr. Pcs.	6	3	3	1	3	3	1	3

PISTON D. 28	PISTON D. 30	PISTON D. 36	
SS7061H	SS7070H	SS7091H	
POS	COD.	DESCRIZIONE – DESCRIPTION - KIT	NR
1	70.0100.22	Carter pompa	1
2	91.8477.00	Cuscinetto a sfere	2
3	90.3915.00	OR D. 80.6x2.62 NBR SH. 70 3318 2041-2122-2213	2
4	70.2200.81 70.2203.81	Spessore 0.1 mm. Spessore 0.25 mm.	-
5	90.0756.00	Anello d'arresto D. 45 2041-2122-2213	1
6	70.2118.01	Spia livello olio	1
7	90.3877.00	OR D. 39.34x2.62 NBR SH. 70 3156 2041-2122-2213	1
8	70.1501.22	Coperchio cuscinetto lato spia	1
9	99.1852.00	Vite M6x16 UNI 5931	20
10	90.3833.00	OR D. 13.95x2.62 NBR SH. 70 3056 2041-2122-2213	1
11	98.2100.66	Tappo G. 3/8"x13	1
12	98.2115.00	Tappo con asta D. 21.5x70	1
13	70.1600.22	Coperchio posteriore carter	1
14	90.3942.00	OR D. 190.17x2.62 NBR SH. 70 3750 2041-2122-2213	1
15	98.2005.00	Tappo per foro D. 15	5
16	99.3123.00	Vite serraggio biella	6
17	70.0200.35	Albero ecc. C.23	1

POS	COD.	DESCRIZIONE – DESCRIPTION – KIT	NR
18	91.4900.00	Linguetta 8x7x70 UNI 6604	1
19	70.1500.22	Coperchio cuscinetto lato PTO	1
20	90.1668.00	Anello rad. D. 35.0x52.0x7.0 2041-2122-2213	1
22	70.0500.15	Guida pistone	3
23	97.7420.00	Spinotto D. 18x36	3
24	90.1677.00	Anello rad. D. 36.0x47.0x6.0/7.5 2041-2122-2213	3
25	96.7099.00	Rosetta D. 10.0x45.0x1.0	3
26	70.0403.09 70.0404.09 70.0405.09	Pistone D. 28x62 Pistone D. 30x62 Pistone D. 36x62	3
27	90.3671.00	OR D. 11.00x2.00 NBR SH. 90 2041-2122-2213	3
28	70.2218.66	Vite fissaggio pistone	3
29	90.3626.00	OR D. 50.52x1.78 NBR SH. 70 2200 2041-2122-2213	3
30	70.0811.66 70.0814.66 70.0810.66	Anello di fondo D. 28 Anello di fondo D. 30 Anello di fondo D. 36	3
31	90.2381.00 90.2759.50 90.2400.00	An. ten. alt. D. 28x34.15 LP 2119-2122 An. ten. alt. D. 30x36.10 LP 2204-2213 An. ten. alt. D. 36x42.15 LP 212-2041	3
32	70.2220.66 70.2235.66 70.2217.66	Anello intermedio D. 28 Anello intermedio D. 30 Anello intermedio D. 36	3
33	90.2380.00 90.2771.00 90.2410.00	An. ten. alt. D. 28x45x9 HP 2119-2122 An. ten. alt. D. 30x45x9 HP 2204-2213 An. ten. alt. D. 36x48x8 HP 212-2041	3

POS	COD.	DESCRIZIONE – DESCRIPTION – KIT	NR
34	70.1252.36 70.1254.36 70.1235.36 70.1236.36	Testata pompa D. 28-30 Testata pompa D. 28-30 NPT Testata pompa D. 36 Testata pompa D. 36 NPT	1
35	99.3818.00	Vite M10x110 UNI 5931	8
36	99.3670.00	Vite M10x25 UNI 5631	14
37	70.2215.36	Coperchio valvole	2
38	70.2216.66	Tappo valvole aspiraz./mandata SS7061H SS7070H SS7091H	6
39	90.5180.00	Anello antiest. D. 32.4x36.5x1.5 2041-2122-2213	6
40	90.3865.00	OR D. 29.82x2.62 NBR SH. 70 3118 2041-2122-2213	6
41	36.2047.05	Guida valvola aspir./mand.	2040
42	94.7450.00	Molla Dm. 16.0x27.5	2040
43	36.2010.76	Valvola sferica	2040
44	36.2070.66	Sede valvola	2040
45	90.3865.00	OR D. 29.82x2.62 NBR SH. 3118 2040-2041-2122-2213	6
46	90.5178.00	Anello antiest. D. 31.0x35.5x1.5 2040-2041-2122-2213	6
47	36.7154.01	Gr. valvola aspiraz./mandata	2040
48	70.0305.11	Biella completa	3
49	70.2225.51	Tappo carter	6
50	71.2259.51	Cappuccio tappo carter	3



SS7061H - SS7070H - SS7091H

KIT RICAMBI – SPARE KITS

KIT NR.	KIT 2040	KIT 2156 2157 - 2158	PISTONE – PISTON D. 28		PISTONE – PISTON D. 30		PISTONE – PISTON D. 36		
			KIT 2119	KIT 2122	KIT 2204	KIT 2213	KIT 212	KIT 2041	
Posizioni include Positions included	41 - 42 43 - 44 45 - 46 (47)	51 - 52	31 - 33	3 - 5 - 7 10 - 14 - 20 24 - 27 - 29 31 - 33 - 39 40 - 45 - 46 - 72	31 - 33	31 - 33	3 - 5 - 7 10 - 14 - 20 24 - 27 - 29 31 - 33 - 39 40 - 45 - 46 - 72	31 - 33	3 - 5 - 7 10 - 14 - 20 24 - 27 - 29 31 - 33 - 39 40 - 45 - 46 - 72
Nr. Pcs.	6	3	3	1	3	3	1	3	1

PISTON D. 28		PISTON D. 30		PISTON D. 36	
SS7061H		SS7070H		SS7091H	
POS	COD.	DESCRIZIONE – DESCRIPTION - KIT	NR	POS	NR
51	90.9220.00 90.9221.00 90.9222.00	Semiboc. testa biella – Sup. Semiboc. testa biella +0.25 – Sup. Semiboc. testa biella +0.50 – Sup.	2156 2157 2158	3	3
52	90.9223.00 90.9224.00 90.9225.00	Semiboc. testa biella – Inf. Semiboc. testa biella +0.25 – Inf. Semiboc. testa biella +0.50 – Inf.	2156 2157 2158	3	3
53	90.9100.00	Boccola piede biella		3	3
54	70.2222.66	Distanziale per tenuta D. 28-30 SS7061H SS7070H		3	3
72	90.3833.00 90.3585.00	OR D. 13.95x2.62 NBR SH. 70 3056 SS7091H 2041 OR D. 10.82x1.78 NBR SH. 70 2043 SS7061H SS7070H 2122-2213		3	3
73	98.2046.00 98.2100.66	Tappo G 1/4"x13 - SS7061H SS7070H Tappo G 3/8"x13 - SS7091H		3	3
SISTEMA FLUSHING - FLUSHING SYSTEM					
66	-	Testata pompa – FLUSHING SYSTEM		1	1

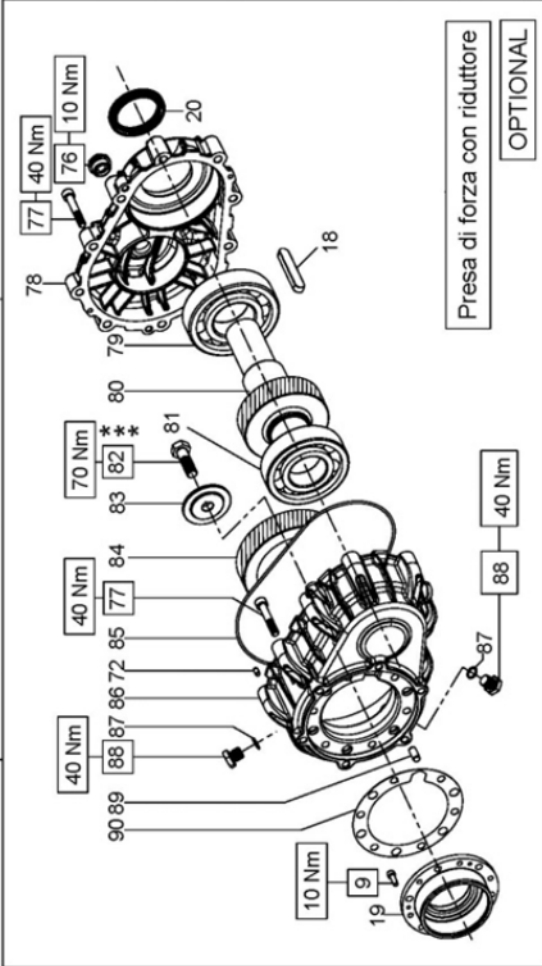
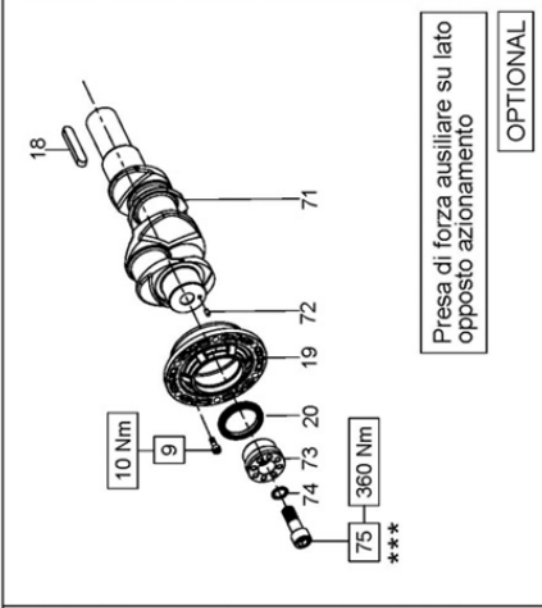
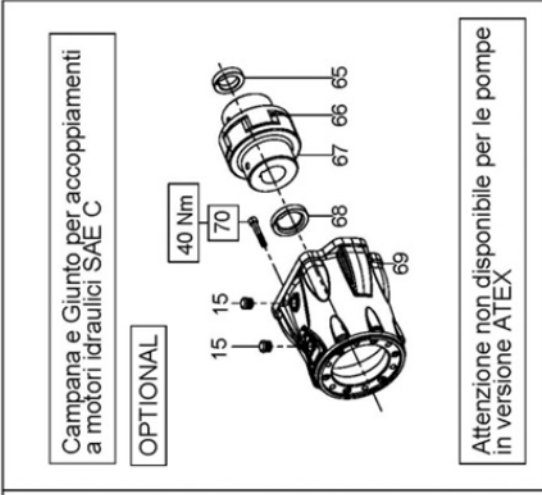
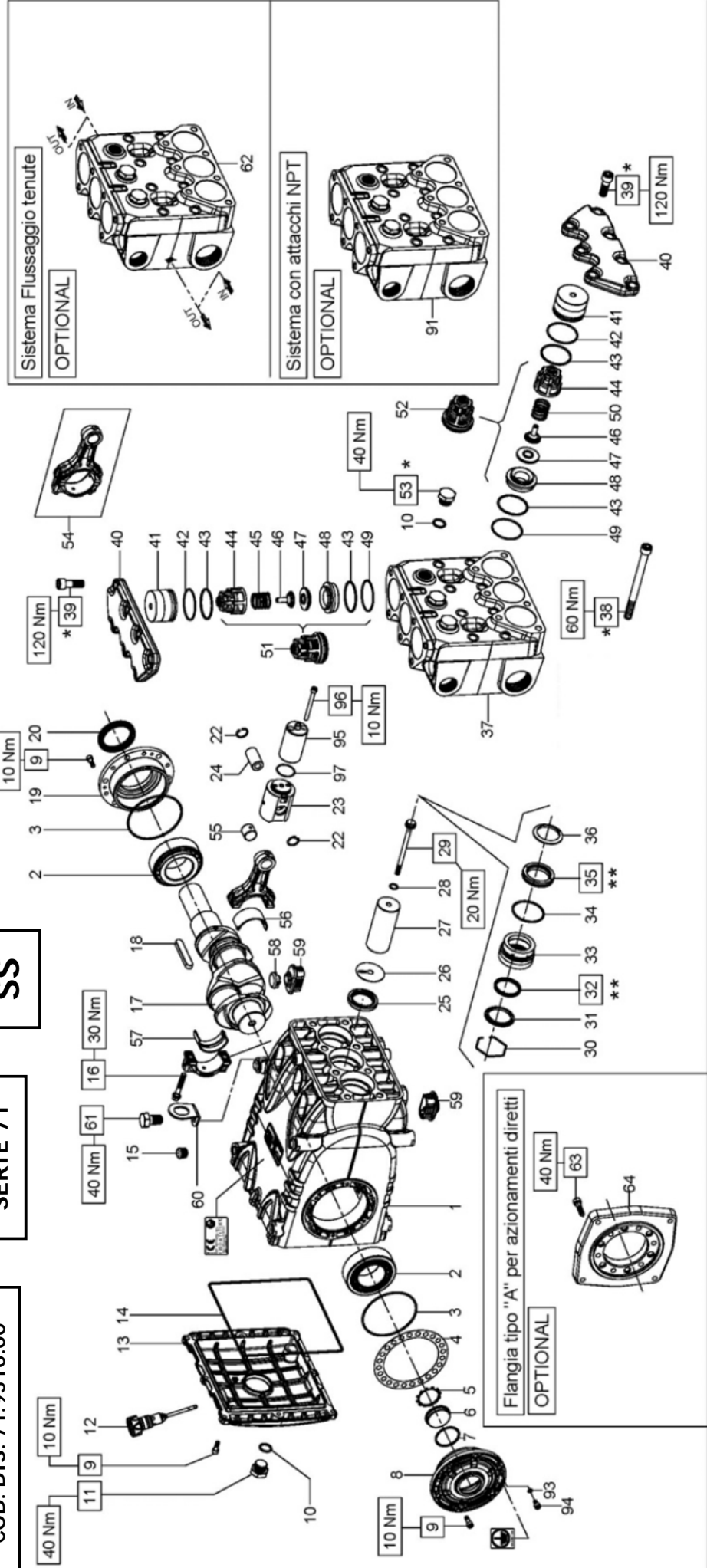
AZIONAMENTI SPECIALI – SPECIAL DRIVES					
AZIONAMENTO DIRETTO CON FLANGIA TIPO A DIRECT DRIVE WITH FLANGE TYPE A					
POS	COD.	DESCRIZIONE – DESCRIPTION - KIT	NR	POS	NR
55	99.3084.00	Vite M8x30 UNI 5931	6	55	6
56	10.0673.20	Flangia per motore idraulico	1	56	1
AZIONAMENTO IDRAULICO CON CAMPANA E GIUNTO SAE-B HYDRAULIC DRIVE WITH FLANGE AND FLEXIBLE COUPLING SAE-B					
71	98.2060.00	Tappo per foro D. 15	4	71	4
57	99.3136.00	Vite M8x45 UNI 5931	6	57	6
58	10.0755.47	Elemento elastico	1	58	1
59	10.7430.01	Giunto elastico D. 30.0x25.4	1	59	1
60	10.0752.20	Flangia per motore idraulico SAE-B	1	60	1
AZIONAMENTO CON PRESA DI FORZA AUSILIARE DRIVE WITH AUXILIARY PTO					
9	99.1854.00	Vite M6x16 UNI 5931	6	9	6
18	91.4900.00	Linguetta 8x7x70 UNI 6604	1	18	1
19	70.1500.22	Coperchio cuscinetto lato PTO	1	19	1
20	90.1668.00	Anello rad. D. 35.0x52.0x7.0	1	20	1
61	70.0205.35	Albero ecc. C.23	1	61	1
62	97.6152.00	Spina D. 5.0x10.0	1	62	1
63	70.2234.54	Dispositivo presa di forza ausiliare	1	63	1
64	96.7160.00	Rosetta D. 12.0x18.0x1.0	1	64	1
65	99.4295.00	Vite M12x35 UNI 5931	1	65	1



COD. DIS. 71.9510.00

SERIE 71

SS





SS71106 - SS7193

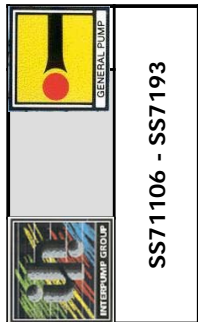
PISTON D. 28	PISTON D. 30
SS7193	SS71106

KIT RICAMBI – SPARE KITS

KIT NR.	KIT 2042		KIT 2043		KIT 2135 2154 - 2155		PISTON D. 28		PISTONE - PISTON D. 30	
	KIT 2042	KIT 2043	KIT 2042	KIT 2043	KIT 2119	KIT 2210	KIT 2204	KIT 2205		
Posizioni include Positions included	43 - 44 46 - 47 48 - 49 50 51	43 - 44 45 - 46 47 - 48 49 (51)	56 - 57	32 - 35	3 - 5 - 7 10 - 14 - 20 25 - 28 - 32 34 - 35 - 42 43 - 49	32 - 35	32 - 35	3 - 5 - 7 10 - 14 - 20 25 - 28 - 32 34 - 35 - 42 43 - 49		
Nr. Pcs.	3	3	3	3	1	3	3	1		

POS	COD.	DESCRIZIONE – DESCRIPTION KIT	NR	POS	COD.	DESCRIZIONE – DESCRIPTION – KIT	NR
1	71.0100.22	Carter pompa	1	18	91.5000.00	Linguetta 12x8x70 UNI 6604	1
2	91.8590.00	Cuscinetto a rulli	2	19	71.1500.22	Coperchio cuscinetto lato PTO	1
3	90.3918.00	OR D. 94.92x2.62 NBR SH. 70 3375 2205-2210	2	20	90.1700.00	Anello rad. D. 50.0x65.0x8.0 2205-2210	1
4	71.2203.81 71.2205.81	Spessore 0.1 mm. Spessore 0.25 mm.	-	22	90.0606.00	Anello d'arresto J20	6
5	90.0756.00 90.0755.00	Anello d'arresto ZJ45 Anello d'arresto ZJ45 - ATEX	1	23	71.0507.15	Guida pistone	3
6	70.2118.01	Spia livello olio	1	24	97.7430.00	Spinotto D. 20x38	3
7	90.3877.00	OR D. 39.34x2.62 NBR SH. 70 3156 2205-2210	1	25	90.1678.00	Anello rad. D. 38.0x52.0x7.0/8.5 2205-2210	3
8	71.1501.22 71.1505.22	Coperchio cuscin. lato spia Coperchio cuscin. lato spia - ATEX	1	26	96.7140.00	Rosetta D. 10.0x50.0x1.0	3
9	99.1868.00	Vite M6x18 UNI 5931	20	27	71.0406.09 71.0403.09	Pistone D. 28x95 Pistone D. 30x95	3
10	90.3841.00	OR D. 17.13x2.62 NBR SH. 70 3068 2205-2210	4	28	90.3671.00	OR D. 11.00x2.00 NBR SH. 90 2205-2210	3
11	98.2181.00 98.2181.50	Tappo G 1/2"x13 Tappo G 1/2"x13 sonda - ATEX	1	29	71.2238.56	Vite fissaggio pistone	3
12	98.2120.00 98.2121.00	Tappo con asta D. 21.5x91 Tappo con asta D. 21.5x91 - ATEX	1	30	90.0797.00	Anello d'arresto D. 52	3
13	71.1600.22	Coperchio posteriore carter	1	31	71.2272.66 71.2266.66	Anello per tenuta D. 28 Anello per tenuta D. 30	3
14	90.4000.00	OR D. 215.0x3.00 NBR SH.70 2205-2210	1	32	90.2381.00 90.2759.50	An. ten. alt. D. 28x34.15 LP An. ten. alt. D. 30x36.1 LP	3
15	98.2060.00	Tappo per foro D. 15	4	33	71.2273.66 71.2267.66	Supporto guarnizioni D. 28 Supporto guarnizioni D. 30	3
16	99.3138.00	Vite serraggio biella	6	34	90.3891.00	OR D. 52.07x2.62 NBR SH. 70 3206 2205-2210	3
17	71.0200.35	Albero ecc. C. 50	1	35	90.2380.00 90.2771.00	An. ten. alt. D.28x45x9 HP An. ten. alt. D.30x45x9 HP	3

POS	COD.	DESCRIZIONE – DESCRIPTION – KIT	NR
36	70.2222.66	Distanziale per tenuta D. 28-30	3
37	71.1286.36	Testata D. 28-30	1
38	99.4482.00	Vite M12x150 UNI 5931	8
39	99.4295.00	Vite M12x35 UNI 5931 12.9	14
40	71.2236.36	Coperchio valvole	2
41	71.2237.66	Tappo valvole aspiraz./mandata	6
42	90.5250.00	Anello antiest. D. 50.9x55.0x1.5 2205-2210	6
43	90.3889.00	OR D. 48.89x2.62 NBR SH. 70 3193 2042-2043-2205-2210	12
44	36.2045.51	Guida valv. aspiraz./mandata 2042-2043	6
45	94.7550.00	Molla Dm. 25.2x26.0 2043	3
46	36.2086.51	Guida valvola interna 2042-2043	6
47	36.2096.02	Valvola sferica 2042-2043	6
48	36.2072.56	Sede valvola 2042-2043	6
49	90.5240.00	Anello antiest. D. 49.5x54.0x.15 2042-2043-2205-2210	6
50	94.7540.00	Molla Dm. 24.7x27.0 2042	3
51	36.7156.01	Gr. valvola di mandata 2043	3
52	36.7155.01	Gr. valvola d'aspirazione 2042	3
53	98.2181.00	Tappo G 1/2"x13	3
54	71.0307.01	Biella completa	3
55	90.9110.00	Boccola piede biella	3
56	90.9243.00 90.9244.00 90.9245.00	Semiboc. testa biella - Inf. 2135 Semiboc. testa biella +0.25 - Inf. 2154 Semiboc. testa biella +0.50 - Inf. 2155	3
57	90.9240.00 90.9241.00 90.9242.00	Semiboc. testa biella - Sup. 2135 Semiboc. testa biella +0.25 - Sup.2154 Semiboc. testa biella +0.50 - Sup.2155	3
58	71.2259.51	Cappuccio tappo carter	3
59	71.2258.51	Tappo carter	6



SS71106 - SS7193

PISTON D. 28	PISTON D. 30
SS7193	SS71106

KIT RICAMBI – SPARE KITS

KIT NR.	KIT 2042	KIT 2043	KIT 2135 2154 - 2155	PISTONE – PISTON D. 28		PISTONE – PISTON D. 30	
				KIT 2119	KIT 2210	KIT 2204	KIT 2205
Posizioni include Positions included	43 - 44 46 - 47 48 - 49 50 (52)	43 - 44 45 - 46 47 - 48 49 (51)	56 - 57	32 - 35	3 - 5 - 7 10 - 14 - 20 25 - 28 - 32 34 - 35 - 42 43 - 49	32 - 35	3 - 5 - 7 10 - 14 - 20 25 - 28 - 32 34 - 35 - 42 43 - 49
Nr. Pcs.	3	3	3	3	1	3	1

POS	COD.	DESCRIZIONE – DESCRIPTION – KIT	NR
80	10.0708.35 10.0709.35 10.0710.35	Pignone Z27-R.1.25 - Elicoidale Pignone Z25-R.1.50 - Elicoidale Pignone Z22-R.1.83 - Elicoidale	1
81	91.8577.00	Cuscinetto a sfere	1
82	99.4307.00	Vite M12x40 UNI 5737	1
83	72.2110.55	Rondella fissaggio corona	1
84	10.0711.35 10.0712.35 10.0713.35	Corona Z34-R.1.25 - Elicoidale Corona Z37-R.1.50 - Elicoidale Corona Z40-R.1.83 - Elicoidale	1
85	90.3948.00	OR D. 209.22x2.62 NBR SH. 70	1
86	72.2108.20	Scatola riduttore	1
87	90.3585.00	OR D. 10.82x1.78 NBR SH. 70 2043	2
88	98.2047.00	Tappo G 1/4"x13	2
89	97.6185.00	Spina D. 8.0x18.0	1
90	72.2107.84	Guarnizione scatola riduttore	1

* Lubrificare le filettature con grasso al Bisolfuro di Molibdeno.
 * Lubricate the threads with Molybdenum Disulfide grease.
 * Graisser le filetage avec Bisulfure de Molybdène graisse.
 * Schmierien Sie die Gewinde mit Molybdändisulfidtt.
 * Lubrique las roscas con grasa de Disulfuro de Molibdeno.
 * Lubrifique com graxa de Molibdênio Dissulfeto.

** Lubrificare con grasso al silicone.
 ** Lubricate with silicon grease.
 ** Graisser avec de la graisse su silicone.
 ** Schmierien mit Silikonfett.
 ** Lubrifique con grasa de silicóna.
 ** Lubrifique com graxa de silicone.

*** Fissare con Loctite 243 col. BLU
 *** Affix with Loctite 243 col. BLUE
 *** Fixer avec de la Loctite 243 couleur BLUE
 *** Mit Loctite 243 BLAU befestigen
 *** Fijar con Loctite 243 col. AZUL
 *** Fixar com Loctite 243 cor. BLUE

POS	COD.	DESCRIZIONE – DESCRIPTION – KIT	NR
60	71.2230.74	Staffa di sollevamento	1
61	99.4266.00	Vite M12x25 UNI 5739	1
93	96.6939.50	Rosetta D. 6.4x11.0x0.7 - ATEX	1
94	99.1809.00	Vite M6x10 UNI 5931 - ATEX	1
95	71.0508.66	Stelo guida pistone	3
96	99.1994.00	Vite M6x65 UNI 5931	6
97	90.3528.00	OR D. 30.00x1.5 NBR 70SH.	3

AZIONAMENTI SPECIALI – SPECIAL DRIVES

AZIONAMENTO DIRETTO CON FLANGIA TIPO A DIRECT DRIVE WITH FLANGE TYPE A			
63	99.3098.00	Vite M8x35 UNI 5931	6
64	10.0677.20	Flangia per motore idraulico	1

AZIONAMENTO IDRAULICO CON CAMPANA E GIUNTO SAE-C HYDRAULIC DRIVE WITH FLANGE AND FLEXIBLE COUPLING SAE-C			
15	98.2060.00	Tappo per foro D. 15	4
65	10.0745.70	Distanziale D. 31.75 h.10.5	1
66	10.0749.47	Elemento elastico	1
67	10.7428.01	Giunto elastico D. 40x31.75	1
68	10.0746.70	Distanziale D. 40 h.10	1
69	10.0750.20	Flangia per motore idraulico SAE-C	1
70	99.3146.00	Vite M8x50 UNI 5931	6

POS	COD.	DESCRIZIONE – DESCRIPTION – KIT	NR
AZIONAMENTO CON PRESA DI FORZA AUSILIARE DRIVE WITH AUXILIARY PTO			
9	99.1868.00	Vite M6x18 UNI 5931	6
18	91.5000.00	Linguetta 12x8x70 UNI 6604	1
19	71.1500.22	Coperchio cuscinetto lato PTO	1
20	90.1700.00	Anello rad. D. 50.0x65.0x8.0	1
71	71.0207.35	Albero ecc. C.50	1
72	97.6152.00	Spina D. 5.0x10.0	1
73	71.2265.54	Dispositivo presa di forza ausiliare	1
74	96.7378.00	Rosetta D. 17.0x24.0x1.0	1
75	99.5142.00	Vite M16x45 UNI 5931	1

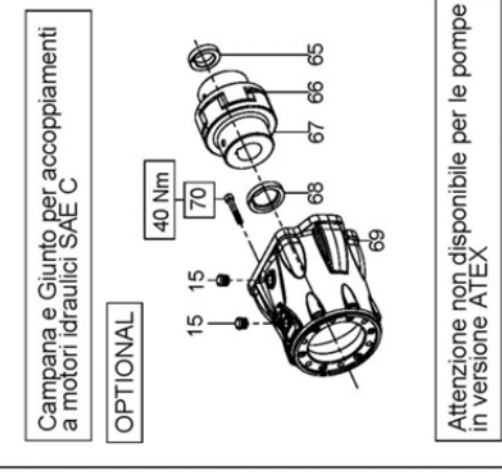
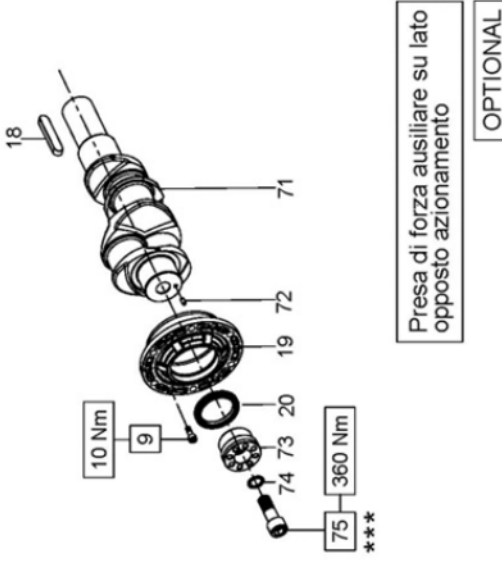
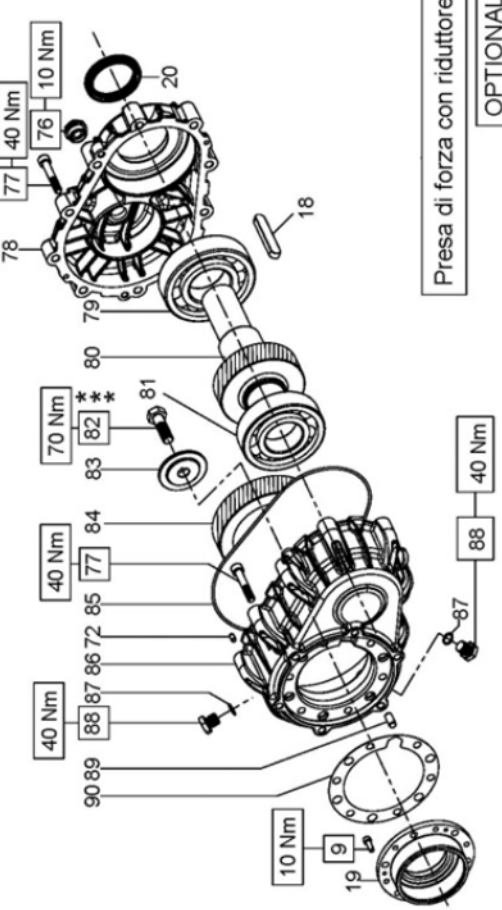
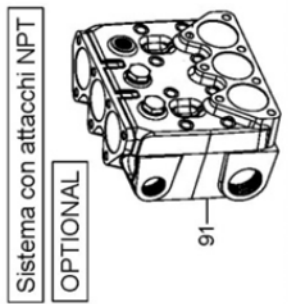
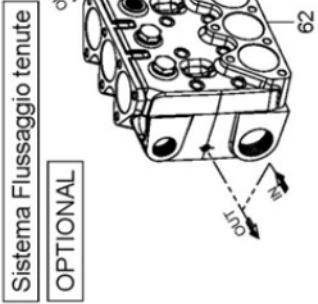
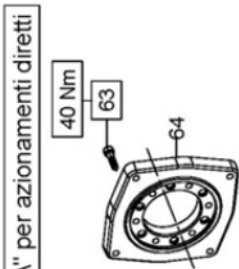
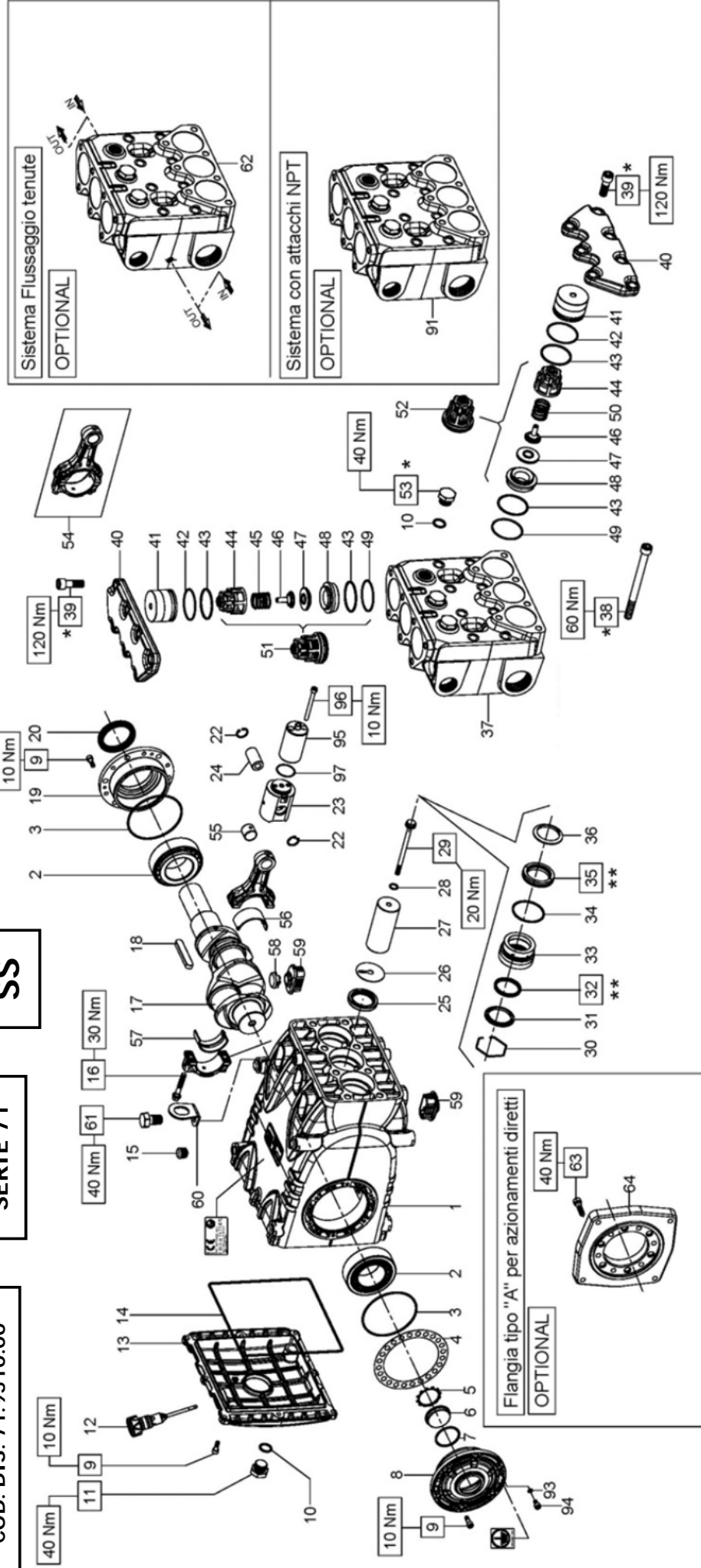
AZIONAMENTO CON RIDUTTORE DRIVE WITH GEARBOX			
9	99.1868.00	Vite M6x18 UNI 5931	6
18	91.5000.00	Linguetta 12x8x70 UNI 6604	1
19	71.1500.22	Coperchio cuscinetto lato PTO	1
20	90.1700.00	Anello rad. D. 50.0x65.0x8.0	1
72	97.6152.00	Spina D. 5.0x10.0	1
76	97.5940.00	Spia livello olio G 1/2"	1
77	99.3146.00	Vite M8x50 UNI 5931	16
78	72.2109.20	Coperchio scatola riduttore	1
79	91.8593.00	Cuscinetto a sfere	1

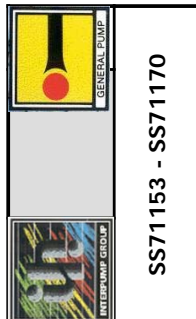


COD. DIS. 71.9510.00

SERIE 71

SS





SS71153 - SS71170

PISTON D. 36	PISTON D. 40
SS71153	SS71170

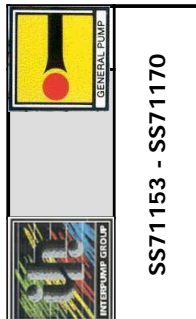
KIT RICAMBI – SPARE KITS

KIT NR.	KIT 2042	KIT 2043	KIT 2135 2154 - 2155		PISTON D. 36		PISTON D. 40	
			KIT 212	KIT 2123	KIT 2033	KIT 2044		
Posizioni include Positions included	43 - 44 46 - 47 48 - 49 50 (52)	43 - 44 45 - 46 47 - 48 49 (51)	56 - 57	3 - 5 - 7 10 - 14 - 20 25 - 28 - 32 34 - 35 - 42 43 - 49	32 - 35	32 - 35	3 - 5 - 7 10 - 14 - 20 25 - 28 - 32 34 - 35 - 42 43 - 49	
Nr. Pcs.	3	3	3	1	3	3	1	

POS	COD.	DESCRIZIONE – DESCRIPTION KIT	NR
1	71.0100.22	Carter pompa	1
2	91.8590.00	Cuscinetto a rulli	2
3	90.3918.00	OR D. 94.92x2.62 NBR SH. 70 3375 2044-2123	2
4	71.2203.81 71.2205.81	Spessore 0.1 mm. Spessore 0.25 mm.	-
5	90.0756.00 90.0755.00	Anello d'arresto ZJ45 Anello d'arresto ZJ45 - ATEX	1
6	70.2118.01	Spia livello olio	1
7	90.3877.00	OR D. 39.34x2.62 NBR SH. 70 3156 2044-2123	1
8	71.1501.22 71.1505.22	Coperchio cuscin. lato spia Coperchio cuscin. lato spia - ATEX	1
9	99.1868.00	Vite M6x18 UNI 5931	20
10	90.3841.00	OR D. 17.13x2.62 NBR SH. 70 3068 2044-2123	4
11	98.2181.00 98.2181.50	Tappo G 1/2"x13 Tappo G 1/2"x13 sonda - ATEX	1
12	98.2120.00 98.2121.00	Tappo con asta D. 21.5x91 Tappo con asta D. 21.5x91 - ATEX	1
13	71.1600.22	Coperchio posteriore carter	1
14	90.4000.00	OR D. 215.0x3.00 NBR SH.70 2044-2123	1
15	98.2060.00	Tappo per foro D. 15	4
16	99.3138.00	Vite serraggio biella	6
17	71.0200.35	Albero ecc. C. 50	1

POS	COD.	DESCRIZIONE – DESCRIPTION – KIT	NR
18	91.5000.00	Linguetta 12x8x70 UNI 6604	1
19	71.1500.22	Coperchio cuscinetto lato PTO	1
20	90.1700.00	Anello rad. D. 50.0x65.0x8.0 2044-2123	1
22	90.0606.00	Anello d'arresto J20	6
23	71.0507.15	Guida pistone	3
24	97.7430.00	Spinotto D. 20x38	3
25	90.1678.00	Anello rad. D. 38.0x52.0x7.0/8.5 2044-2123	3
26	96.7140.00	Rosetta D. 10.0x50.0x1.0	3
27	71.0404.09 71.0405.09	Pistone D. 36x95 Pistone D. 40x95	3
28	90.3671.00	OR D. 11.00x2.00 NBR SH. 90 2044-2123	3
29	71.2238.56	Vite fissaggio pistone	3
30	90.0797.00	Anello d'arresto D. 52	3
31	71.2254.66 71.2240.66	Anello per tenuta D. 36 Anello per tenuta D. 40	3
32	90.2400.00 90.2450.00	An. ten. alt. D. 36x42.15 LP 212-2123 An. ten. alt. D. 40x46.15 LP 2033-2044	3
33	71.2253.66 71.2239.66	Supporto guarnizioni D. 36 Supporto guarnizioni D. 40	3
34	90.3891.00	OR D. 52.07x2.62 NBR SH. 70 3206 2044-2123	3
35	90.2410.00 90.2460.00	An. ten. alt. D. 36x48x8 HP 212-2123 An. ten. alt. D. 40x55x10 HP 2033-2044	3
36	71.2255.66	Distanziale per tenuta D. 36 - SS71153	3

POS	COD.	DESCRIZIONE – DESCRIPTION – KIT	NR
37	71.1277.36 71.1275.36	Testata D. 36 Testata D. 40	1
38	99.4482.00	Vite M12x150 UNI 5931	8
39	99.4295.00	Vite M12x35 UNI 5931	14
40	71.2236.36	Coperchio valvole	2
41	71.2237.66	Tappo valvole aspiraz./mandata	6
42	90.5250.00	Anello antiest. D. 50.9x55.0x1.5 2044-2123	6
43	90.3889.00	OR D. 48.89x2.62 NBR SH. 70 3193 2042-2043-2044-212	12
44	36.2045.51	Guida valv. aspiraz/mandata 2042-2043	6
45	94.7550.00	Molla Dm. 25.2x26.0 2043	3
46	36.2086.51	Guida valvola interna 2042-2043	6
47	36.2096.02	Valvola sferica 2042-2043	6
48	36.2072.56	Sede valvola 2042-2043	6
49	90.5240.00	Anello antiest. D. 49.5x54.0x.15 2042-2043-2044-2123	6
50	94.7540.00	Molla Dm. 24.7x27.0 2042	3
51	36.7156.01	Gr. valvola di mandata 2043	3
52	36.7155.01	Gr. valvola d'aspirazione 2042	3
53	98.2181.00	Tappo G 1/2"x13	3
54	71.0307.01	Biella completa	3
55	90.9110.00	Boccola piede biella	3
56	90.9243.00 90.9244.00 90.9245.00	Semiboc. testa biella - Inf. 2135 Semiboc. testa biella +0.25 - Inf. 2154 Semiboc. testa biella +0.50 - Inf. 2155	3
57	90.9240.00 90.9241.00 90.9242.00	Semiboc. testa biella - Sup. 2135 Semiboc. testa biella +0.25 - Sup.2154 Semiboc. testa biella +0.50 - Sup.2155	3
58	71.2259.51	Cappuccio tappo carter	3
59	71.2258.51	Tappo carter	6
60	71.2230.74	Staffa di sollevamento	1



SS71153 - SS71170

PISTON D. 36	PISTON D. 40
SS71153	SS71170

KIT RICAMBI – SPARE KITS

KIT NR.	KIT 2042	KIT 2043	KIT 2135 2154 - 2155	PISTONE - PISTON D. 36		PISTONE - PISTON D. 40	
				KIT 212	KIT 2123	KIT 2033	KIT 2044
Posizioni include Positions included	43 - 44 46 - 47 48 - 49 50 (52)	43 - 44 45 - 46 47 - 48 49 (51)	56 - 57	3 - 5 - 7 10 - 14 - 20 25 - 28 - 32 34 - 35 - 42 43 - 49	32 - 35	3 - 5 - 7 10 - 14 - 20 25 - 28 - 32 34 - 35 - 42 43 - 49	3 - 5 - 7 10 - 14 - 20 25 - 28 - 32 34 - 35 - 42 43 - 49
Nr. Pcs.	3	3	3	3	1	3	1

POS	COD.	DESCRIZIONE – DESCRIPTION – KIT	NR
61	99.4266.00	Vite M12x25 UNI 5739 8.8	1
93	96.6939.50	Rosetta D. 6.4x11.0x0.7 INOX - ATEX	1
94	99.1809.00	Vite M6x10 UNI 5931 - ATEX	1
95	71.0508.66	Stelo guida pistone	3
96	99.1994.00	Vite M6x65 UNI 5931	6
97	90.3528.00	OR D. 30.00x1.5 NBR 70SH.	3
SISTEMA FLUSHING - FLUSHING SYSTEM			
62	71.1287.36	Testata D.40 – FLUSHING	1
AZIONAMENTI SPECIALI – SPECIAL DRIVES			
AZIONAMENTO DIRETTO CON FLANGIA TIPO A DIRECT DRIVE WITH FLANGE TYPE A			
63	99.3098.00	Vite M8x35 UNI 5931	6
64	10.0677.20	Flangia per motore idraulico	1
AZIONAMENTO IDRAULICO CON CAMPANA E GIUNTO SAE-C HYDRAULIC DRIVE WITH FLANGE AND FLEXIBLE COUPLING SAE-C			
15	98.2060.00	Tappo per foro D. 15	4
65	10.0745.70	Distanziale D. 31.75 h.10.5	1
66	10.0749.47	Elemento elastico	1
67	10.7428.01	Giunto elastico D. 40x31.75	1
68	10.0746.70	Distanziale D. 40 h.10	1
69	10.0750.20	Flangia per motore idraulico SAE-C	1
70	99.3146.00	Vite M8x50 UNI 5931	6

POS	COD.	DESCRIZIONE – DESCRIPTION – KIT	NR
AZIONAMENTO CON PRESA DI FORZA AUSILIARE DRIVE WITH AUXILIARY PTO			
9	99.1868.00	Vite M6x18 UNI 5931	6
18	91.5000.00	Linguetta 12x8x70 UNI 6604	1
19	71.1500.22	Coperchio cuscinetto lato PTO	1
20	90.1700.00	Anello rad. D. 50.0x65.0x8.0	1
71	71.0207.35	Albero ecc. C.50	1
72	97.6152.00	Spina D. 5.0x10.0	1
73	71.2265.54	Dispositivo presa di forza ausiliare	1
74	96.7378.00	Rosetta D. 17.0x24.0x1.0	1
75	99.5142.00	Vite M16x45 UNI 5931	1
AZIONAMENTO CON RIDUTTORE DRIVE WITH GEARBOX			
9	99.1868.00	Vite M6x18 UNI 5931	6
18	91.5000.00	Linguetta 12x8x70 UNI 6604	1
19	71.1500.22	Coperchio cuscinetto lato PTO	1
20	90.1700.00	Anello rad. D. 50.0x65.0x8.0	1
72	97.6152.00	Spina D. 5.0x10.0	2
76	97.5940.00	Spia livello olio G 1/2"	1
77	99.3146.00	Vite M8x50 UNI 5931	16
78	72.2109.20	Coperchio scatola riduttore	1
79	91.8593.00	Cuscinetto a sfere	1

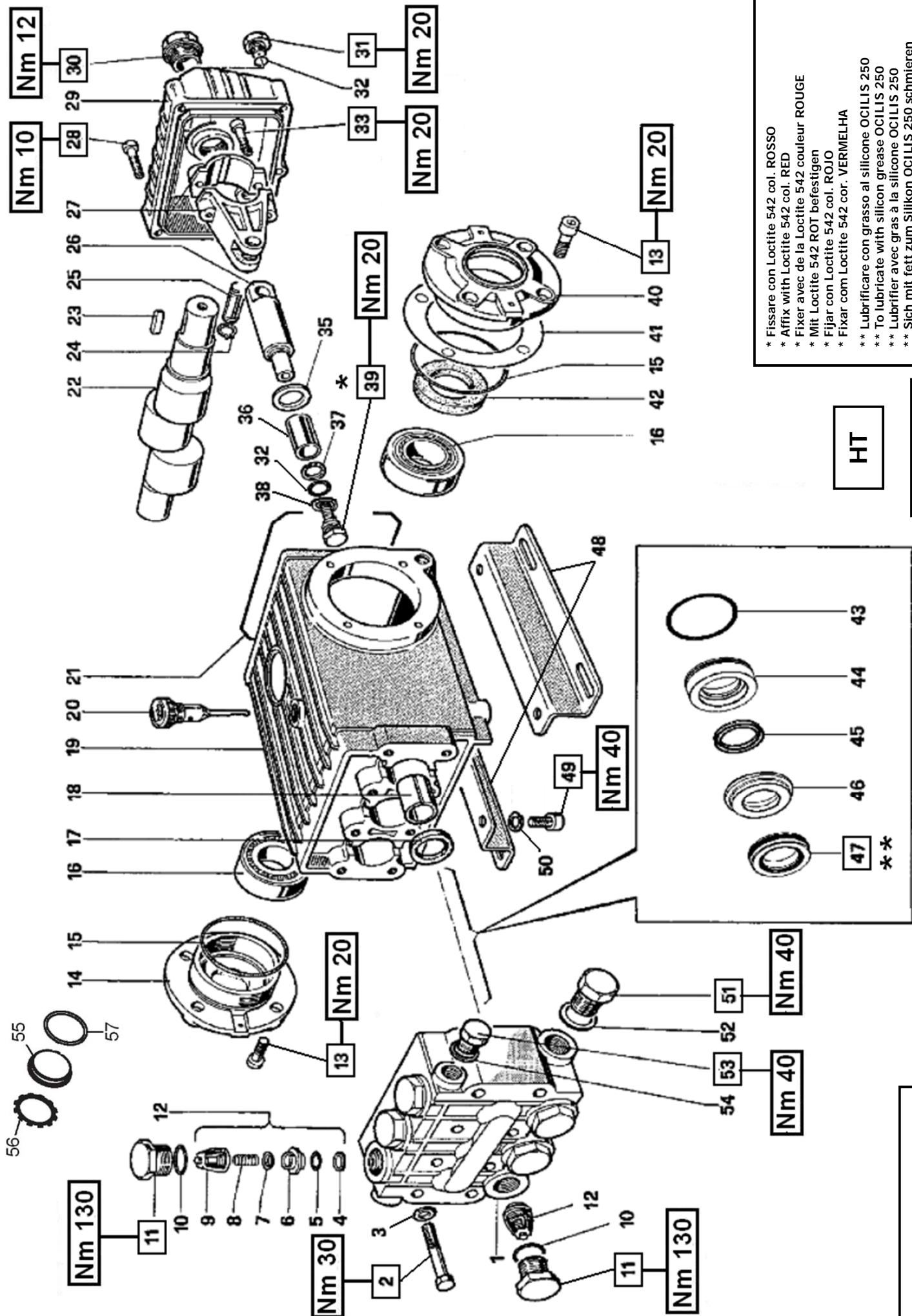
POS	COD.	DESCRIZIONE – DESCRIPTION – KIT	NR
80	10.0708.35 10.0709.35 10.0710.35	Pignone Z27-R.1.25 - Elicoidale Pignone Z25-R.1.50 - Elicoidale Pignone Z22-R.1.83 - Elicoidale	1
81	91.8577.00	Cuscinetto a sfere	1
82	99.4307.00	Vite M12x40 UNI 5737	1
83	72.2110.55	Rondella fissaggio corona	1
84	10.0711.35 10.0712.35 10.0713.35	Corona Z34-R.1.25 - Elicoidale Corona Z37-R.1.50 - Elicoidale Corona Z40-R.1.83 - Elicoidale	1
85	90.3948.00	OR D. 209.22x2.62 NBR SH. 70	1
86	72.2108.20	Scatola riduttore	1
87	90.3585.00	OR D. 10.82x1.78 NBR SH. 70 2043	2
88	98.2047.00	Tappo G 1/4"x13	2
89	97.6185.00	Spina D. 8.0x18.0	1
90	72.2107.84	Guarnizione scatola riduttore	1
91	71.1285.36 71.1276.36	Testata D. 36 - NPT Testata D. 40 - NPT	1

* Lubrificare le filettature con grasso al Bisolfuro di Molibdeno.
* Lubricate the threads with Molybdenum Disulfide grease.
* Graisser le filetage avec Bisulfure de Molybdène graisse.
* Schmierien Sie die Gewinde mit Molybdändisulfidfitt.
* Lubrique las roscas con grasa de Disulfuro de Molibdeno.
* Lubrifique com graxa de Molibdênio Dissulfreto.

** Lubrificare con grasso al silicone.
** Lubricate with silicon grease.
** Graisser avec de la graisse su silicone.
** Schmierien mit Silikonfett.
** Lubrique con grasa de silicona.
** Lubrifique com graxa de silicone.

*** Fissare con Loctite 243 col. BLU
*** Affix with Loctite 243 col. BLUE
*** Fixer avec de la Loctite 243 couleur BLUE
*** Mit Loctite 243 BLAU befestigen
*** Fijar con Loctite 243 col. AZUL
*** Fixar com Loctite 243 cor. BLUE





* Fissare con Loctite 542 col. ROSSO
 * Affix with Loctite 542 col. RED
 * Fixer avec de la Loctite 542 couleur ROUGE
 * Mit Loctite 542 ROT befestigen
 * Fijar con Loctite 542 col. ROJO
 * Fixar com Loctite 542 cor. VERMELHA
 ** Lubrificare con grasso al silicone OCILIS 250
 ** To lubricate with silicon grease OCILIS 250
 ** Lubrifier avec gras à la silicone OCILIS 250
 ** Sich mit fett zum Silikon OCILIS 250 schmieren
 ** Para lubricar con la grasa al silicon OCILIS 250
 ** Para lubrificar com a graxa ao silicone OCILIS 250

HT

SERIE 47



DIS. COD. 47.9521.00

KIT RICAMBI – SPARE KITS

KIT Nr.	KIT 2	KIT 3	KIT 5	KIT 6	KIT 201	KIT 202	KIT 203
Posizioni include Positions included	17	42	10 - 11	32 - 35 37 - 38 39	4 - 5 6 - 7 8 - 9 (12)	45 - 47	43 - 44 45 - 46 47
Nr. Pcs.	3	2	6	3	6	3	1

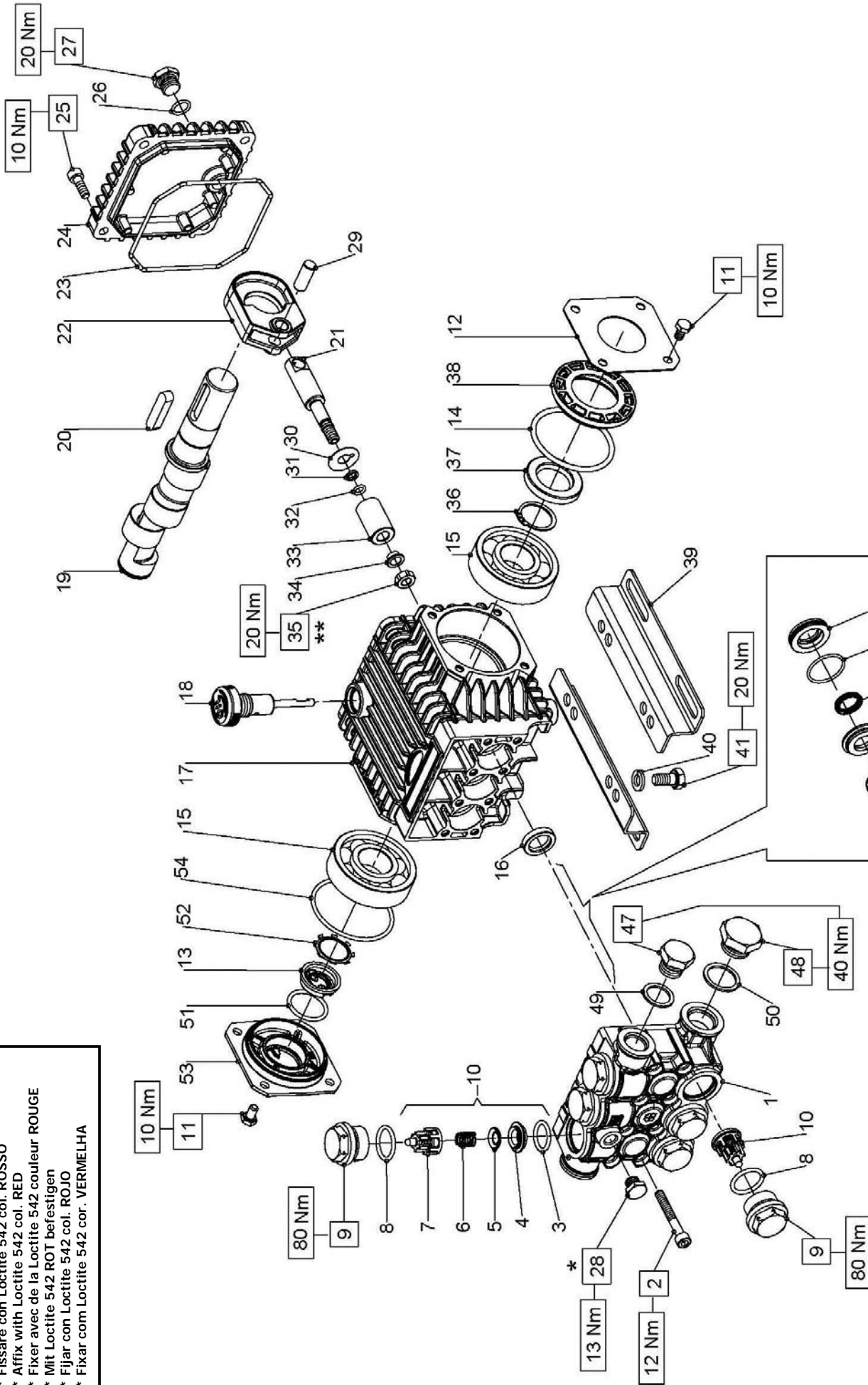
POS	COD.	DESCRIZIONE – DESCRIPTION – KIT	NR
22	47.0219.35 47.0218.35 47.0221.35 47.0224.35	Albero ecc. C.10 - HT4715 Albero ecc. C.12 - HT4718 Albero ecc. C.14 - HT4721 Albero ecc. C.15 - HT4723	1
23	91.4892.00	Linguetta 9x7x35 UNI 6604	1
24	90.0557.00	Anello d'arresto A12	6
25	97.7380.00	Spinotto D. 13x35.5	3
26	47.0504.66	Guida pistone	3
27	47.0300.01	Biella completa	3
28	99.1912.00	Vite M6x30 UNI 5931	5
29	47.1601.22	Coperchio posteriore	1
30	97.5968.00	Spia livello olio G 3/4"	1
31	98.2042.50	Tappo G 1/4"x9	1
32	90.3585.00	OR D. 10.82x1.78 NBR SH. 70 2043	6 4
33	99.3099.00	Vite M8x35 UNI 5931	6
35	96.7286.00	Rosetta D. 14.0x28.0x0.5	6 3
36	47.0405.09	Pistone D. 22	3
37	90.5067.00	Anello antiest. D. 11.0x14.0x1.5	6 3
38	96.7280.00	Rosetta D. 14.0x18.5x0.5	6 3
39	47.2195.66	Vite fissaggio pistone	6 3
40	47.1510.22	Coperchio cuscinetto	1
41	97.5678.00	Spessore	2
42	90.1648.00	Anello rad. D. 30.0x55.0x7.0	3 1
43	90.3616.00	OR D. 34.65x1.78 NBR SH. 70 2137 203	3

POS	COD.	DESCRIZIONE – DESCRIPTION – KIT	NR
1	47.1209.41	Testata D. 22	1
2	99.3206.00	Vite M8x70 UNI 5737	8
3	96.7020.00	Rosetta D. 8 UNI 1736	8
4	90.5105.00	Anello antiest. D. 17.4x21.9x1.8	201 6
5	90.3400.00	Anello tenuta D. 17.1x22.3x1.8	201 6
6	36.2003.66	Sede valvola	201 6
7	36.2001.76	Valvola	201 6
8	94.7376.00	Molla Dm. 9.4x14.8	201 6
9	36.2002.51	Guida valvola	201 6
10	90.3847.00	OR D. 20.24x2.62 NBR SH. 903081	5 6
11	98.2222.00	Tappo M24x2x16.5	5 6
12	36.7049.01	Gr. valvola aspiraz./mandata	201 6
13	99.3039.00	Vite M8x16 UNI 5931	8
14	47.1512.22	Coperchio cuscinetto	1
15	90.3913.00	OR D. 67.95x2.62 NBR SH. 70 3268	2
16	91.8378.00	Cuscinetto a rulli	2
17	90.1625.00	Anello rad. D. 22.0x32.0x6.5	2 3
18	90.9126.00	Boccola D. 22x25x30	3
19	47.0100.22	Carter pompa	1
20	98.2106.00	Tappo carico olio G 3/8"	1
21	90.3922.00	OR D. 133.02x2.62 NBR SH. 70 3525	1

HT4715 - HT4718 - HT4721 - HT4723

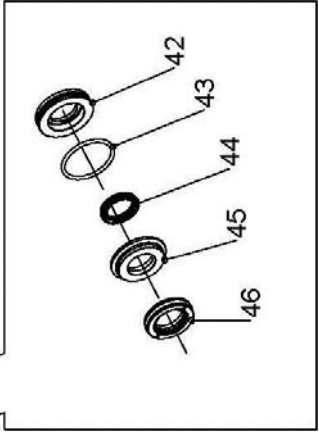
* Fissare con Loctite 542 col. ROSSO
 * Affix with Loctite 542 col. RED
 * Fixer avec de la Loctite 542 couleur ROUGE
 * Mit Loctite 542 ROT befestigen
 * Fijar con Loctite 542 col. ROJO
 * Fixar com Loctite 542 cor. VERMELHA



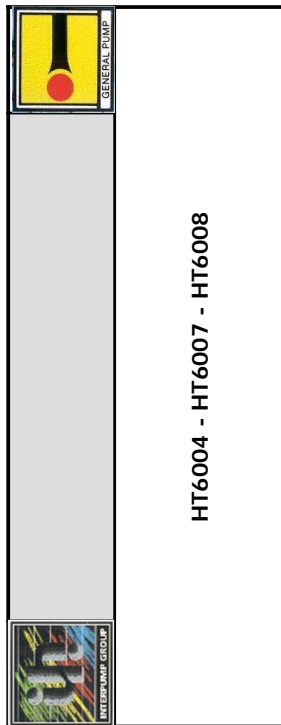
** Fissare con Loctite 270 col. VERDE
 ** Affix with Loctite 270 col. GREEN
 ** Fixer avec de la Loctite 270 couleur VERT
 ** Mit Loctite 270 GRÜN befestigen
 ** Fijar con Loctite 270 col. VERDE
 ** Fixar com Loctite 270 cor. VERDE

SERIE 60

HT



DIS. COD. 60.9507.00



HT6004 - HT6007 - HT6008

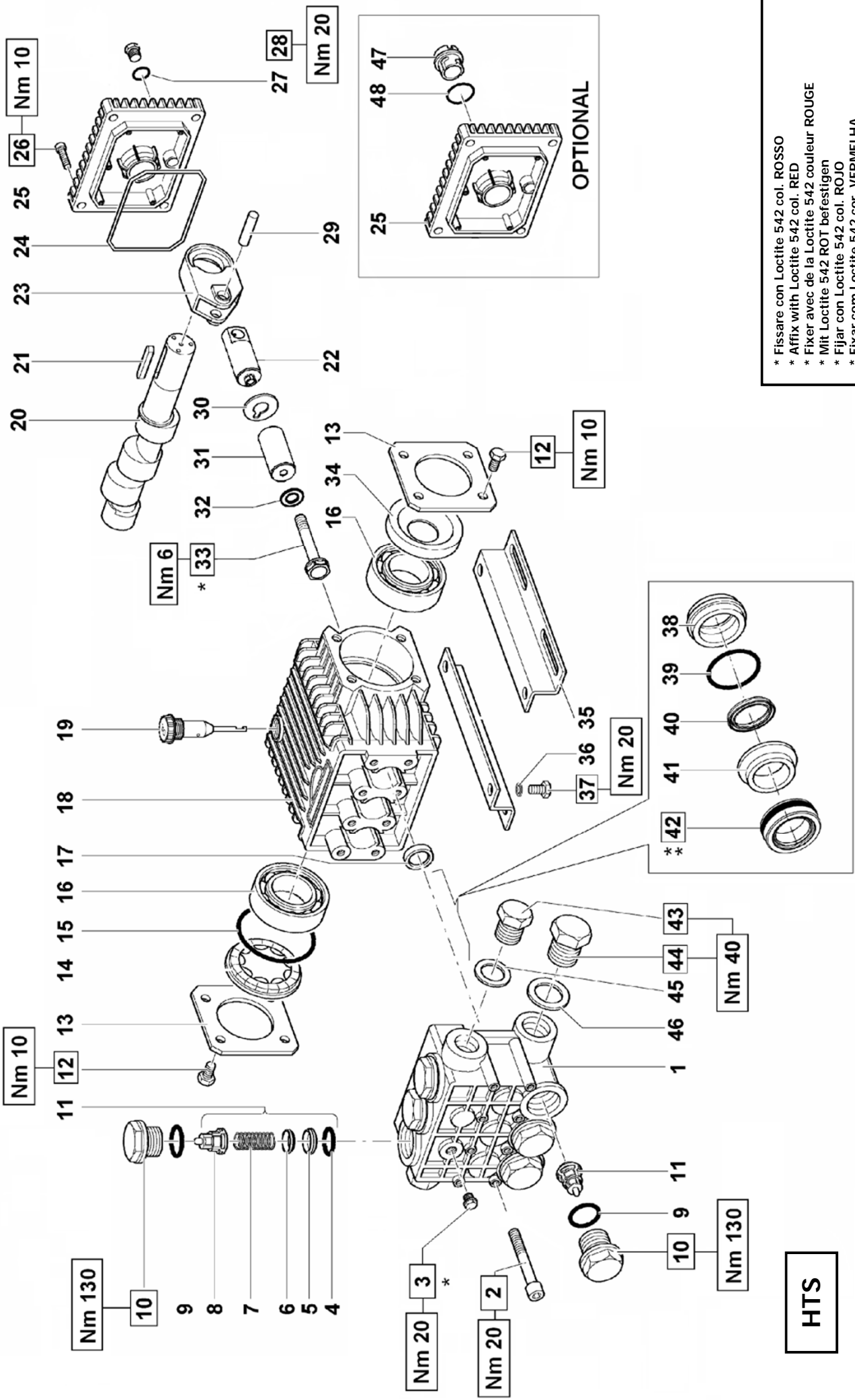
POS	COD.	DESCRIZIONE - DESCRIPTION - KIT	NR
1	60.1212.41	Testata D. 15	1
2	99.1950.00	Vite M6x45 5931	8
3	90.3841.00	OR D. 17.13x2.62 NBR SH. 70 3068 123	6
4	36.2003.66	Sede valvola 123	6
5	36.2001.76	Valvola sferica 123	6
6	94.7376.00	Molla Dm. 9.4x14.8 123	6
7	36.2025.51	Guida valvola 123	6
8	90.3847.00	OR D. 20.24x2.62 NBR SH. 90	6
9	98.2213.00	Tappo M24x1.5	6
10	36.7115.01	Gr. valvola aspiraz./mandata 123	6
11	99.1807.00	Vite M8x10 5739	8
12	50.1500.74	Coperchio laterale carter	1
13	53.2108.51	Vetrino spia livello olio	1
14	90.4097.00	OR D. 55.56x3.53 NBR SH. 70 159	1
15	91.8331.00	Cuscinetto a sfere	2
16	90.1565.00	Anello rad. D. 15.0x24.0x5.0 83	3
17	60.0100.22	Carter pompe	1
18	98.2103.00	Tappo carico olio G 3/8"	1
19	60.0204.65 60.0212.35 60.0217.35	Albero ecc. C.6 - HT6004 Albero ecc. C.9.4 - HT6007 Albero ecc. C.11.5 - HT6008	1
20	91.4892.00	Linguetta 8x7x35 UNI 6604	1
21	60.0500.66	Guida pistone	3

KIT RICAMBI - SPARE KITS

KIT Nr.	KIT 83	KIT 123	KIT 243	KIT 244
Posizioni include Positions Included	16	3 - 4 5 - 6 7 (10)	44 - 46	42 - 43 44 - 45 46
Nr. Pcs.	3	6	3	1

POS	COD.	DESCRIZIONE - DESCRIPTION - KIT	NR
22	60.0300.22	Biella completa	3
23	90.3918.00	OR D. 94.92x2.62 NBR SH. 70 3375	1
24	60.1600.22	Coperchio posteriore carter	1
25	99.1867.00	Vite M6x18 5931	4
26	90.3585.00	OR D. 10.82x1.78 NBR SH. 70 2043	1
27	98.2042.50	Tappo G 1/4"x9 TE17 - Zinc.	1
28	98.1967.00	Tappo G 1/8"x8	1
29	97.7333.00	Spinotto D. 9x24.5	3
30	96.7070.00	Rosetta D. 9.0x23.0x1.5	3
31	90.5022.00	Anello antiest. D. 6.2x9.0x1.5	3
32	90.3573.00	OR D. 5.28x1.78 NBR SH. 70 2021	3
33	60.0400.09	Pistone D. 15x30	3
34	44.2115.70	Rosetta con collare D. 8	3
35	92.2215.00	Dado M8x12x5	3
36	90.0635.00	Anello d'arresto A25	1
37	90.1634.00	Anello rad. D. 25.0x42.0x7.0	1
38	50.2115.51	Distanziale	1
39	50.2000.74	Piedino pompa	2
40	96.7016.00	Rosetta D. 8.4x14.4x2.0 UNI 1751	4
41	99.3037.00	Vite M8x16 5739 5739	4
42	60.0802.70	Anello di fondo d. 15 244	3
43	90.3604.00	OR D. 25.12x1.78NBR SH. 70 2100 244	3

POS	COD.	DESCRIZIONE - DESCRIPTION - KIT	NR
44	90.2150.00	Anello ten. alt. D. 15x19.5 LP 243-244	3
45	60.2162.70	Anello intermedio D. 15 244	3
46	90.2162.00	Anello ten. alt. D. 15x25x5.2 HP 243-244	3
47	98.2099.00	Tappo G 3/8"x13	1
48	98.2179.00	Tappo G 1/2"x10	1
49	96.7380.00	Rosetta D. 17.5x23.0x1.5	1
50	96.7514.00	Rosetta D. 21.5x27.0x1.5	1
51	90.3859.00	OR D. 25.07x2.62 NBR SH. 70 3100	1
52	90.0671.00	Anello d'arresto Z130	1
53	53.1500.22	Coperchio laterale carter	1
54	90.3898.00	OR D. 56.82x2.62 NBR SH. 70 3225	1




* Fissare con Loctite 542 col. ROSSO
 * Affix with Loctite 542 col. RED
 * Fixer avec de la Loctite 542 couleur ROUGE
 * Mit Loctite 542 ROT befestigen
 * Fijar con Loctite 542 col. ROJO
 * Fixar com Loctite 542 cor. VERMELHA
 ** Lubrificare con grasso al silicone OCILIS 250
 ** To lubricate with silicon grease OCILIS 250
 ** Lubrifier avec gras à la silicone OCILIS 250
 ** Sich mit fett zum Silikon OCILIS 250 schmieren
 ** Para lubricar con la grasa al silicon OCILIS 250
 ** Para lubrificar com a graxa ao silicone OCILIS 250


HTS

SERIE 63

DIS. COD. 63.9519.00



HTS6311 - HTS6313 - HTS6315



POS	COD.	DESCRIZIONE - DESCRIPTION - KIT	NR
1	63.1213.41	Testata D. 18	1
2	99.3192.00	Vite M8x65 UNI 5931	8
3	98.2042.00	Tappo G 1/4"x9	1
4	90.3841.00	OR D. 17.13x5.62 NBR SH. 70	123
5	36.2003.66	Sede valvola	123
6	36.2001.76	Valvola	123
7	94.7376.00	Molla Dm. 9.4x14.8	123
8	36.2025.51	Guida valvola	123
9	90.3847.00	OR D. 20.24x2.62 NBR SH. 90 3081	158
10	98.2225.00	Tappo M24x1.5	158
11	36.7115.01	Gr. valvola aspiraz./mandata	123
12	99.1807.00	Vite M8x10 UNI 5739	8
13	50.1500.74	Coperchio laterale	2
14	44.2118.01	Distanziale con indicatore	1
15	90.4097.00	OR D. 55.56x3.53 NBR SH. 70 159	1
16	91.8331.00	Cuscinetto a sfere	2
17	90.1595.00	Anello rad. D. 18.0x26.0x6.0	159
18	63.0100.22	Carter pompa	1
19	98.2103.00	Tappo carico olio G 3/8"	1
20	63.0212.35 63.0218.35 63.0216.35	Albero ecc. C.10 - HTS6311 Albero ecc. C.13 - HTS6313 Albero ecc. C.12 - HTS6315	1
21	91.4892.00	Linguetta	1

KIT RICAMBI - SPARE KITS

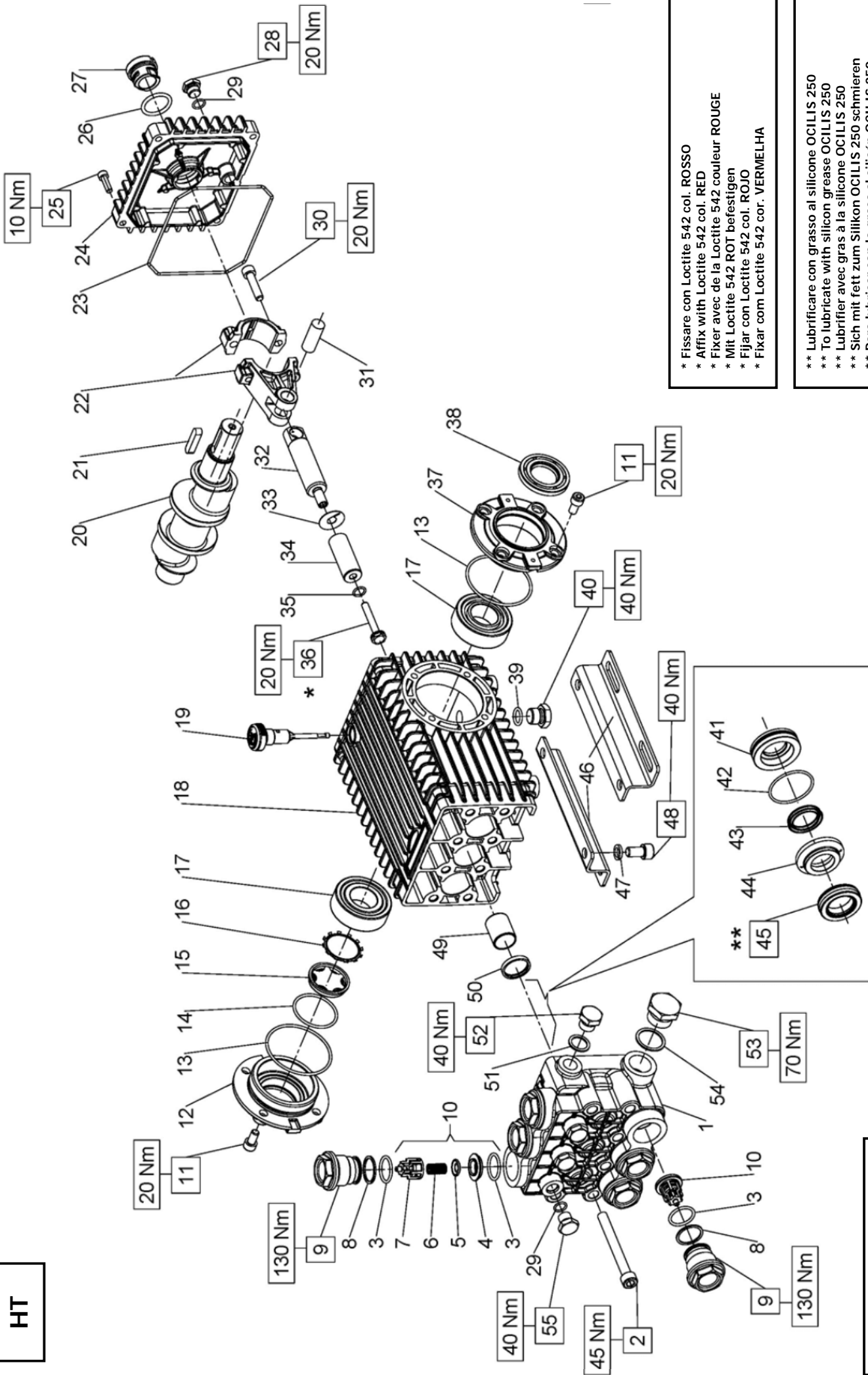
KIT Nr.	KIT 123	KIT 158	KIT 159	KIT 204	KIT205
Posizioni include Positions included	4 - 5 6 - 7 8 (11)	9 - 10	17	40 - 42	38 - 39 40 - 41 42
Nr. Pcs.	6	6	3	3	1

POS	COD.	DESCRIZIONE - DESCRIPTION - KIT	NR
22	63.0505.66	Guida pistone	3
23	63.0300.22	Biella completa	3
24	90.3920.00	OR D. 101.27x2.62 NBR SH. 70 3400	1
25	63.1600.22 63.1601.22	Coperchio posteriore - OPTIONAL Coperchio posteriore	1
26	99.1837.00	Vite M6x14 UNI 5931	4
27	90.3585.00	OR D. 10.82x1.78 NBR SH. 70 2043	1
28	98.2042.50	Tappo G 1/4"x9 TE17 - Zinc.	1
29	97.7335.00	Spinnotto D. 9x27.5	3
30	96.6990.00	Rosetta D. 7.5x23.0x0.5	3
31	63.0405.09	Pistone D. 18x38.5	3
32	96.6905.00	Rosetta D. 5.0x9.0x0.5	3
33	99.1690.00	Vite M5x55 UNI5737	3
34	90.1641.00	Anello rad. D. 25.0x62.0x10.0	1
35	50.2000.74	Piedino pompa	2
36	96.7016.00	Rosetta D. 8.4 UNI 1751	4
37	99.3037.00	Vite M8x16 UNI 5739	4
38	63.0803.70	Anello di fondo D. 18	205
39	90.3608.00	OR D. 28.3x1.78 NBR SH. 70 2112 205	3
40	90.2200.00	Anello ten. alt. D. 18x22.5 LP	204-205
41	63.2161.70	Anello intermedio D. 18	205
42	90.2210.00	Anello ten. alt. D. 18x28x10 HP	204-205

POS	COD.	DESCRIZIONE - DESCRIPTION - KIT	NR
43	98.2099.00	Tappo G 3/8"x13	1
44	98.2179.00	Tappo G 1/2"x10	1
45	96.7380.00	Rosetta D. 17.5x23.0x1.5	1
46	96.7514.00	Rosetta D. 21.5x27.0x1.5	1
47	63.2100.51	Spia livello olio - OPTIONAL	1
48	90.4051.00	OR D. 26.58x3.53 NBR SH. 70 4106 OPTIONAL	1

SERIE 66

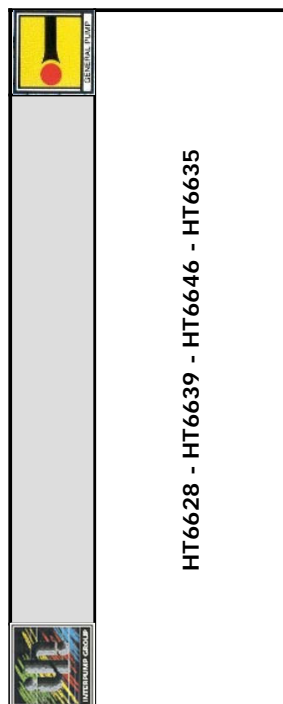
HT



* Fissare con Loctite 542 col. ROSSO
* Affix with Loctite 542 col. RED
* Fixer avec de la Loctite 542 couleur ROUGE
* Mit Loctite 542 ROT befestigen
* Fijar con Loctite 542 col. ROJO
* Fixar com Loctite 542 cor. VERMELHA

** Lubrificare con grasso al silicone OCILIS 250
** To lubricate with silicon grease OCILIS 250
** Lubrifier avec gras à la silicone OCILIS 250
** Sich mit fett zum Silikon OCILIS 250 schmieren
** Para lubricar con la grasa al silicon OCILIS 250
** Para lubrificar com a graxa ao silicone OCILIS 250

DIS. COD. 66.9502.00



HT6628 - HT6639 - HT6646 - HT6635

KIT Nr.	KIT 2	KIT 3	KIT 169	PISTONE - PISTON D. 20		PISTONE - PISTON D. 22		PISTONE - PISTON D. 24	
				KIT 206	KIT 207	KIT 208	KIT 209	KIT 210	KIT 211
Posizioni incluse Positions included	50	38	3-4 5-6 7 (10)	43-45	41-42 43-44 45	43-45	41-42 43-44 45	43-45	41-42 43-44 45
Nr. Pcs.	3	2	6	3	1	3	1	3	1

PISTON D. 20	PISTON D. 22	PISTON D. 24
HT6628 - HT6635	HT6639	HT6646

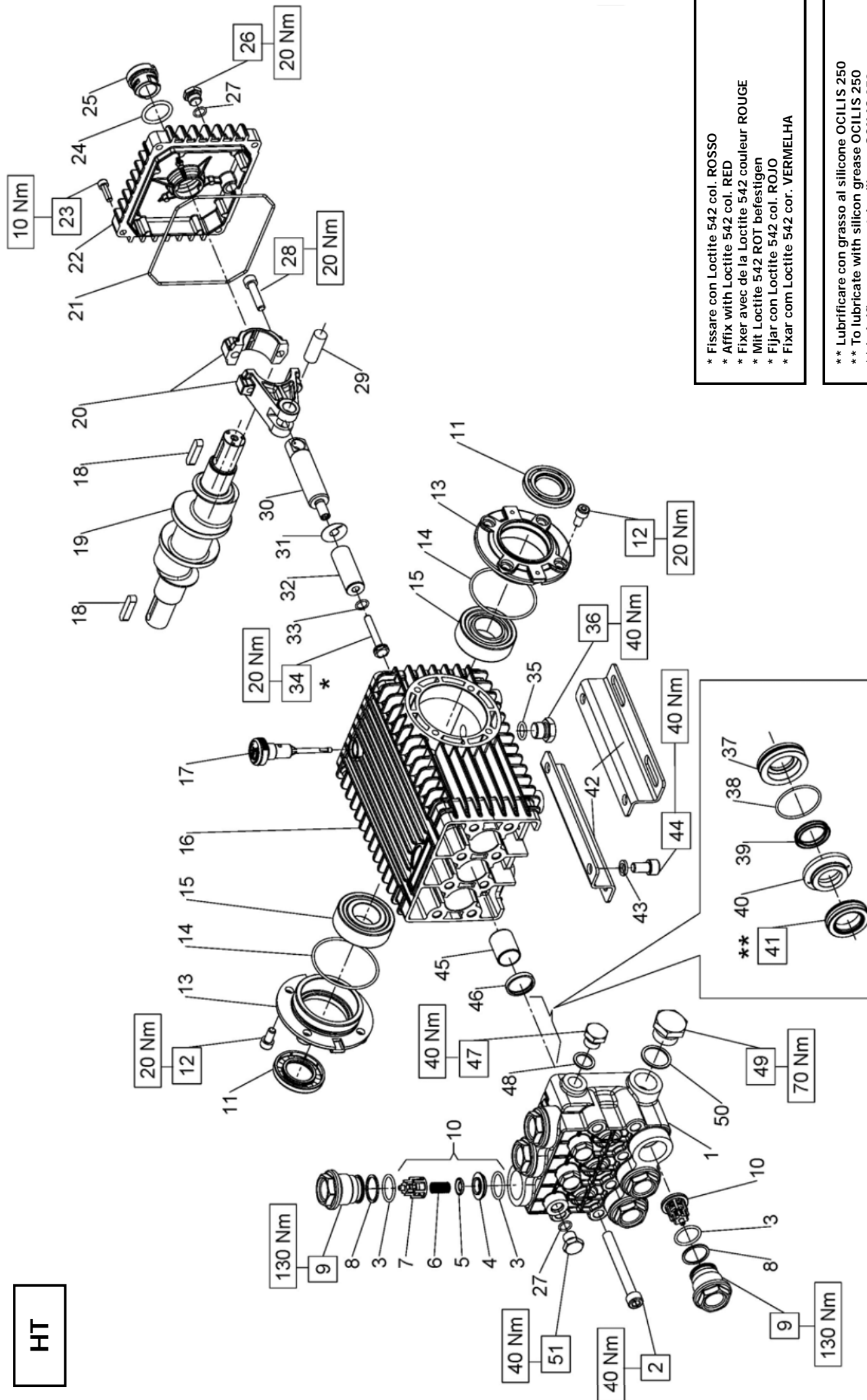
POS	COD.	DESCRIZIONE - DESCRIPTION - KIT	NR
1	66.1206.41 66.1207.41 66.1208.41	Testata D. 20 Testata D. 22 Testata D. 24	1
2	99.3801.00	Vite M10x90 UNI 5931	8
3	90.3857.00	OR D. 23.81x2.62 NBR SH. 70 132 169	12
4	36.2033.66	Sede valvola sferica	169
5	36.2034.76	Valvola	169
6	94.7388.00	Molla Dm. 10x18.5	169
7	36.2035.51	Guida valvola	169
8	90.5165.00	Anello antiest. D. 24.7x29.0x1.5	6
9	66.1303.41	Tappo M32x1.5x29.5	6
10	36.7127.01	Gr. valvola aspiraz./mandata	169
11	99.3039.00	Vite M8x16 UNI 5931	8
12	47.1512.22	Coperchio cuscinetto lato spia	1
13	90.3913.00	OR D. 67.95x2.62 NBR SH. 70 3268	2
14	90.3877.00	OR D. 39.34x2.62 NBR SH. 70 3156	1
15	70.2118.01	Spia livello olio	1
16	90.0756.00	Anello di arresto ZJ45	1
17	91.8380.00	Cuscinetto a rulli	2
18	66.0100.22	Carter pompa	1

POS	COD.	DESCRIZIONE - DESCRIPTION - KIT	NR
19	98.2106.00	Tappo carico olio G 3/8"	1
20	66.0200.35 66.0204.35	Albero ecc. C.19 - HT6628 Albero ecc. C.21 - HT6639 HT6646 HT6635	1
21	91.4892.00	Linguetta 9x7x35 UNI 6604	1
22	66.0300.01	Biella completa	3
23	90.3922.00	OR D. 133.02x2.62 NBR SH. 70 3525	1
24	66.1600.22	Coperchio posteriore	1
25	99.1884.00	Vite M6x20 UNI 5931	4
26	90.4051.00	OR D. 26.58x3.53 NBR SH. 70 4106	1
27	63.2100.51	Spia livello olio	1
28	98.2042.50	Tappo G 1/4"x9 TE17 - Zinc.	1
29	90.3585.00	OR D. 10.82x1.78 NBR SH. 70 2043	4
30	99.3099.00	Vite M8x35 UNI 5931	6
31	97.7405.00	Spinotto D. 14x39	3
32	66.0500.66	Guida pistone	3
33	96.7101.00	Rosetta D. 10.0x28.0x0.5	3
34	66.0400.09 66.0401.09 66.0404.09	Pistone D. 20x54 Pistone D. 22x54 Pistone D. 24x54	3
35	90.3584.00	OR D. 10.82x1.78 NBR SH. 90 2043	3
36	66.2195.66	Vite fissaggio pistone	3
37	47.1510.22	Coperchio cuscinetto aperto	1
38	90.1648.00	Anello rad. D. 30.0x55.0x7.0	3

POS	COD.	DESCRIZIONE - DESCRIPTION - KIT	NR
39	90.3833.00	OR D. 13.95x2.62 NBR SH. 70 3056	1
40	98.2100.00	Tappo G 3/8"x13	1
41	66.0812.70 66.0813.70 66.0814.70	Anello di fondo D. 20 Anello di fondo D. 22 Anello di fondo D. 24	207 209 211
42	90.3616.00	OR D. 34.65x1.78 NBR SH. 70 2137 207-209-211	3
43	90.2250.00 90.2300.00 90.2350.00	Anello tenuta D.20x26.15 LP 206-207 Anello tenuta D.22x28.15 LP 208-209 Anello tenuta D.24x30.15 LP 210-211	3
44	66.2160.70 66.2161.70 66.2164.70	Anello intermedio D. 20 Anello intermedio D. 22 Anello intermedio D. 24	207 209 211
45	90.2260.00 90.2312.00 90.2360.00	Anello tenuta D.20x30x10 HP 206-207 Anello tenuta D.22x32x10 HP 208-209 Anello tenuta D.24x34x10 HP 210-211	3
46	47.2000.74	Piede pompa	2
47	96.7106.00	Rosetta D. 10.2 DIN 7980	4
48	99.3644.00	Vite M10x18 UNI 5931	4
49	90.9126.00	Boccola D. 22x25x30	3
50	90.1625.00	Anello rad. D. 22.0x32.0x5.5	2
51	96.7380.00	Rosetta D. 17.5x23.0x1.5	1
52	98.2099.00	Tappo G 3/8"x13	1
53	98.2269.00	Tappo G 3/4"x16	1
54	96.7700.00	Rosetta D. 26.5x32.0x1.5	1
55	98.2047.00	Tappo G 1/4"x13	3

SERIE 66

HT



* Fissare con Loctite 542 col. ROSSO
* Affix with Loctite 542 col. RED
* Fixer avec de la Loctite 542 couleur ROUGE
* Mit Loctite 542 ROT befestigen
* Fijar con Loctite 542 col. ROJO
* Fixar com Loctite 542 cor. VERMELHA

** Lubrificare con grasso al silicone OCILIS 250
** To lubricate with silicon grease OCILIS 250
** Lubrifier avec gras à la silicone OCILIS 250
** Sich mit fett zum Silikon OCILIS 250 schmieren
** Para lubricar con la grasa al silicon OCILIS 250
** Para lubrificar com a graxa ao silicone OCILIS 250

DIS. COD. 66.9518.00



HT6628



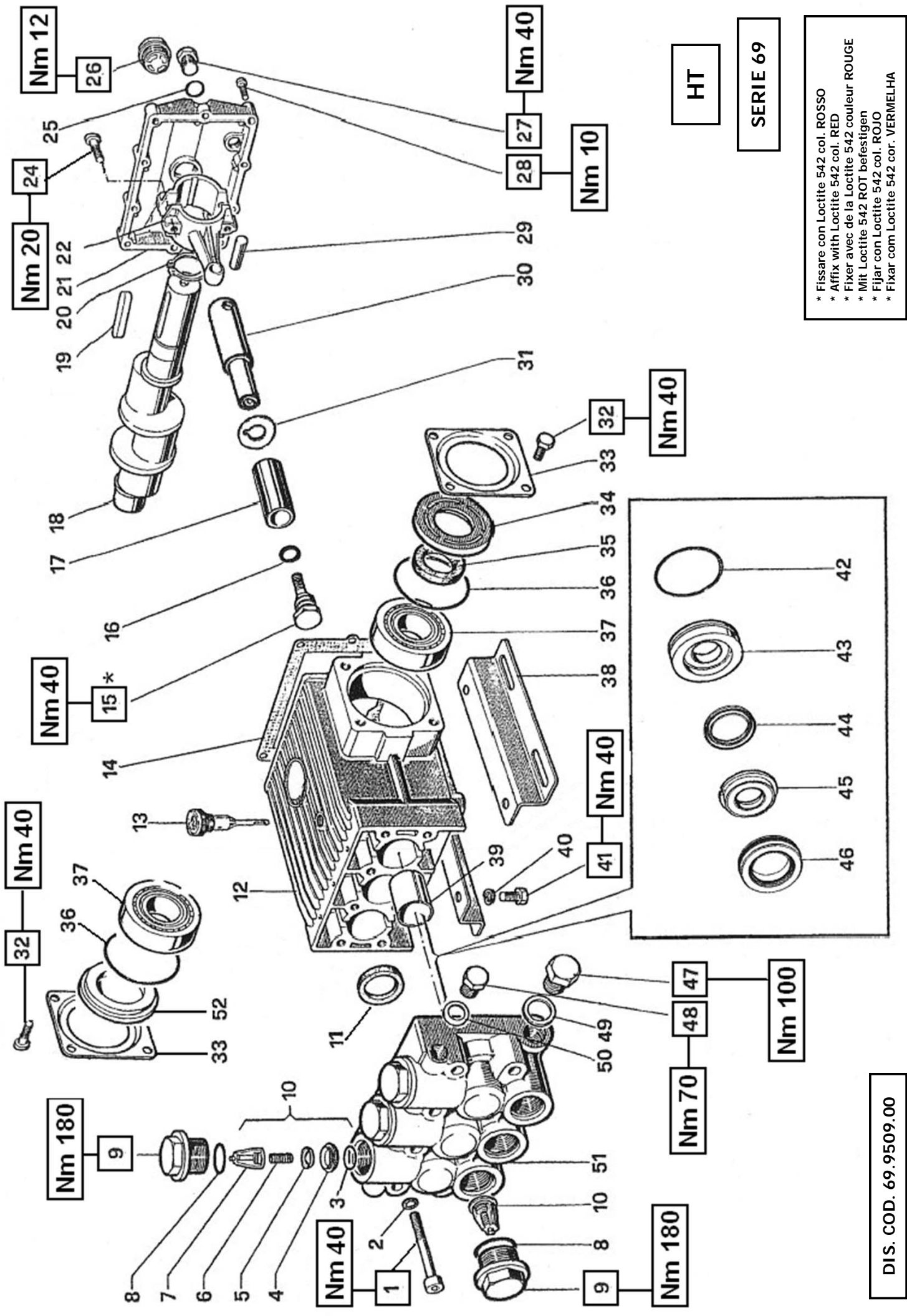
KIT RICAMBI – SPARE KITS

KIT Nr.	KIT 2	KIT 3	KIT 169	KIT 206	KIT 207
Posizioni include Positions included	46	11	3-4 5-6 7 (10)	39-41	37-38 39-40 41
Nr. Pcs.	3	2	6	3	1

POS	COD.	DESCRIZIONE – DESCRIPTION - KIT	NR
47	98.2099.00	Tappo G 3/8"x13	1
48	96.7380.00	Rosetta D. 17.5x23.0x1.5	1
49	98.2269.00	Tappo G 3/4"x16	1
50	96.7700.00	Rosetta D. 26.5x32.0x1.5	1
51	98.2047.00	Tappo G 1/4"x13	3

POS	COD.	DESCRIZIONE – DESCRIPTION - KIT	NR
1	66.1206.41	Testata D. 20	1
2	99.3801.00	Vite M10x90 UNI 5931	8
3	90.3857.00	OR D. 23.81x2.62 NBR SH. 70 132 169	12
4	36.2033.66	Sede valvola sferica	169
5	36.2034.76	Valvola	169
6	94.7388.00	Molla Dm. 10.0x18.5	169
7	36.2035.51	Guida valvola	169
8	90.5165.00	Anello antiest. D. 24.7x29.0x1.5	6
9	66.1303.41	Tappo M32x1.5x29.5	6
10	36.7127.01	Gr. valvola aspiraz./mandata	169
11	90.1648.00	Anello rad. D. 30.0x55.0x7.0	3
12	99.3039.00	Vite M8x16 UNI 5931	8
13	47.1510.22	Coperchio cuscinetto aperto	2
14	90.3913.00	OR D. 67.95x2.62 NBR SH. 70 3268	2
15	91.8380.00	Cuscinetto a rulli	2
16	66.0100.22	Carter pompa	1
17	98.2106.00	Tappo carico olio G 3/8"	1
18	91.4892.00	Linguetta 9x7x35 UNI 6604	2
19	66.0210.35	Albero ecc. C.19	1
20	66.0300.01	Biella completa	3
21	90.3922.00	OR D. 133.02x2.62 NBR SH. 70 3525	1
22	66.1600.22	Coperchio posteriore	1
23	99.1884.00	Vite M6x20 UNI 5931	4

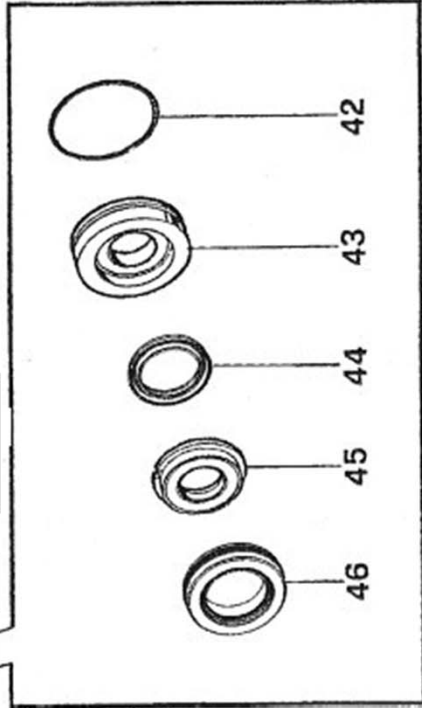
POS	COD.	DESCRIZIONE – DESCRIPTION - KIT	NR
24	90.4051.00	OR D. 26.58x3.53 NBR SH. 70 4106	1
25	63.2100.51	Spia livello olio	1
26	98.2042.50	Tappo G 1/4"x9 TE17 – Zinc.	1
27	90.3585.00	OR D. 10.82x1.78 NBR SH. 70 2043	4
28	99.3099.00	Vite M8x35 UNI 5931	6
29	97.7405.00	Spinotto D. 14x39	3
30	66.0500.66	Guida pistone	3
31	96.7101.00	Rosetta D. 10.0x28.0x0.5	3
32	66.0400.09	Pistone D. 20x54	3
33	90.3584.00	OR D. 10.82x1.78 NBR SH. 90 2043	3
34	66.2195.66	Vite fissaggio pistone	3
35	90.3833.00	OR D. 13.95x2.62 NBR SH. 70 3056	1
36	98.2100.00	Tappo G 3/8"x13	1
37	66.0812.70	Anello di fondo D. 20	207
38	90.3616.00	OR D. 34.65x1.78 NBR SH. 70 2137	207
39	90.2250.00	Anello tenuta D. 20x26.15 LP	206-207
40	66.2160.70	Anello intermedio D. 20	207
41	90.2260.00	Anello tenuta D. 20x30x10 HP	206-207
42	47.2000.74	Piede pompa	2
43	96.7106.00	Rosetta D. 10.2 DIN 7980	4
44	99.3644.00	Vite M10x18 UNI 5931	4
45	90.9126.00	Boccola D. 22x25x30	3
46	90.1625.00	Anello rad. D. 22.0x32.0x5.5	2



HT



SERIE 69

* Fissare con Loctite 542 col. ROSSO
 * Affix with Loctite 542 col. RED
 * Fixer avec de la Loctite 542 couleur ROUGE
 * Mit Loctite 542 ROT befestigen
 * Fijar con Loctite 542 col. ROJO
 * Fixar com Loctite 542 cor. VERMELHA



DIS. COD. 69.9509.00

KIT RICAMBI – SPARE KITS

POS	COD.	DESCRIZIONE – DESCRIPTION - KIT	NR
1	99.3810.00	Vite M10x95 UNI 5931	8
2	96.7104.00	Rosetta D. 10.5x16.0x1	8
3	90.4059.00	OR D. 32.93x3.53 NBR SH. 70 4131 43	6
4	36.2011.66	Sede valvola	43 6
5	36.2010.76	Valvola	43 6
6	94.7450.00	Molla Dm. 16.0x27.5	43 6
7	36.2009.51	Guida valvola	43 6
8	90.4065.00	OR D. 37.69x3.53 NBR SH. 70 4150	6
9	98.2421.00	Tappo M42x1.5x23	6
10	36.7065.01	Gr. valvola d'aspiraz./mandata	43 6
11	90.1656.00	Anello rad. D. 32.0x42.0x7.0	37 8
12	69.0100.22	Carter pompa	1
13	98.2106.00	Tappo carico olio G 3/8"	1
14	69.2119.84	Guarnizione coperchio posteriore	1
15	69.2196.66	Vite fissaggio pistone	3
16	90.3859.00	OR D. 25.07x2.62 NBR SH. 70 3100	3
17	69.0400.09	Pistone D. 36x60	3
18	69.0205.35	Albero ecc. C.24	1
19	91.4969.00	Linguetta 10x8x40 UNI 6604	1
20	90.0695.00	Anello d'arresto A35 UNI 7435	1
21	69.1600.22	Coperchio posteriore carter	1
22	69.0304.01	Biella completa	3

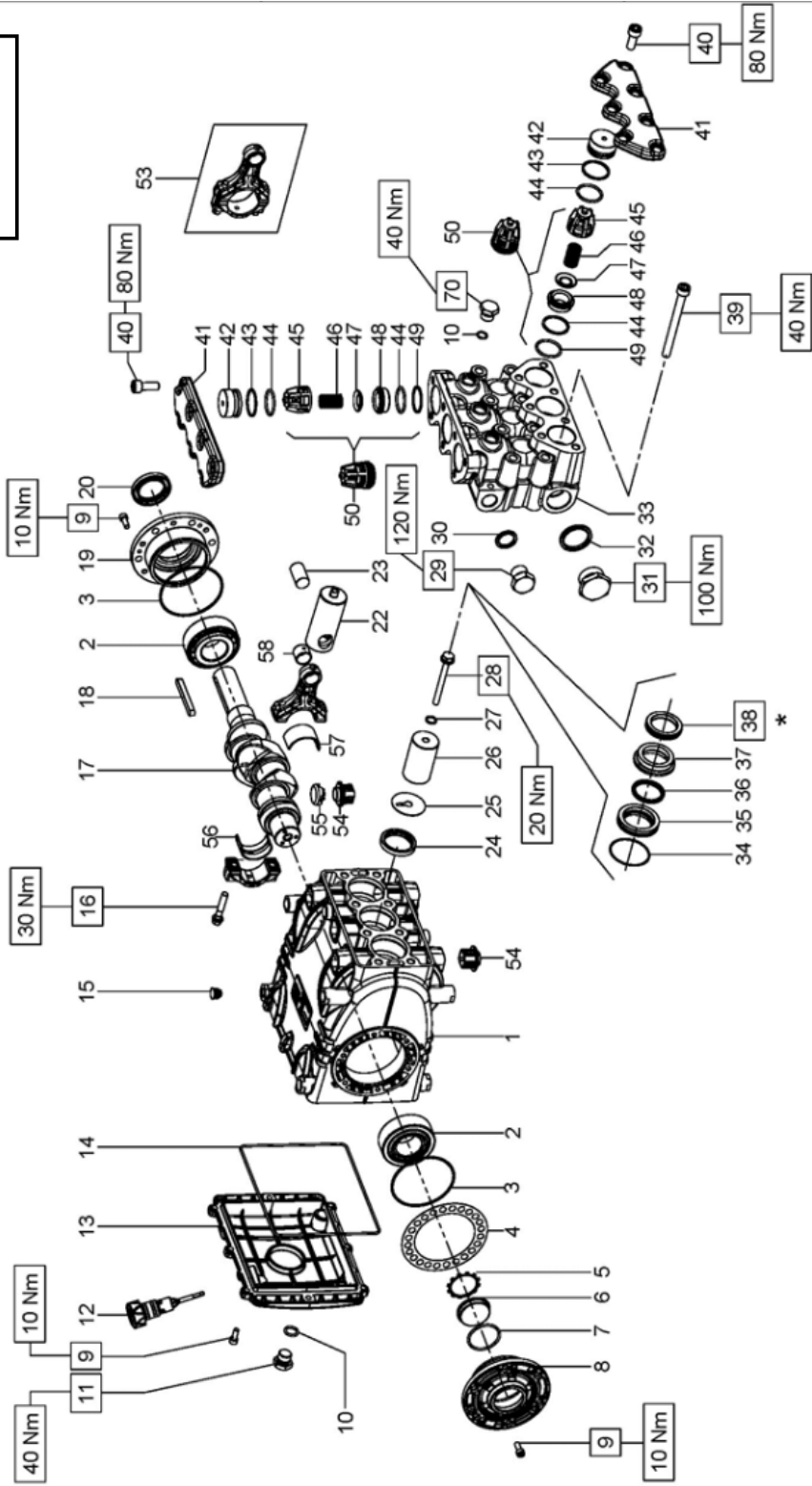
POS	COD.	DESCRIZIONE – DESCRIPTION - KIT	NR
46	90.2410.00	Anello ten. alt. D. 36x48x8 HP	212-213 3
47	98.2326.00	Tappo G 1"x17	1
48	98.2269.00	Tappo G 3/4"x16	1
49	96.7870.00	Rosetta D. 33.5x38.0x1.5	1
50	96.7700.00	Rosetta D. 26.5x32.0x1.5	1
51	69.1219.41	Testata D. 36	1
52	69.2116.51	Distanziale	1

KIT Nr.	KIT 32	KIT 37	KIT 43	KIT 212	KIT 213
Posizioni include Positions included	35	11	3 - 4 5 - 6 7 (10)	44 - 46	42 - 43 44 - 45 46
Nr. Pcs.	2	3	6	3	1

POS	COD.	DESCRIZIONE – DESCRIPTION - KIT	NR
24	99.3099.00	Vite M8x35 UNI 5931	6
25	90.3833.00	OR D. 13.95x2.62 NBR SH. 70 3056	1
26	97.5968.00	Spia livello olio G 3/4"	1
27	98.2100.50	Tappo G 3/8"x13 TE22 – Zinc.	1
28	99.1867.00	Vite M6x18 UNI 5931	9
29	97.7398.00	Spinotto D. 14x31.5	3
30	69.0503.54	Guida pistone	3
31	96.7565.00	Rosetta D. 22.3x41.2x0.5	3
32	99.3636.00	Vite M10x16 UNI 5739	8
33	68.1500.74	Coperchio laterale carter	2
34	69.2115.51	Distanziale	1
35	90.1672.00	Anello rad. D. 35.0x52.0x8.0	32 1
36	90.4131.00	OR D. 73.03x3.53 NBR SH. 70 176	2
37	91.8482.00	Cuscinetto a rulli	2
38	47.2000.74	Piedino pompa	2
39	90.9162.00	Boccola D. 32x36x40	3
40	96.7106.00	Rosetta D. 10.2 DIN 7980	4
41	99.3644.00	Vite M10x18 UNI 5931	4
42	90.3885.00	OR D. 45.69x2.62 NBR SH. 70 3181 213	3
43	69.0805.70	Anello di fondo D. 36	213 3
44	90.2400.00	Anello ten. alt. D. 36x42.15 LP 212-213	3
45	69.2171.70	Anello intermedi D. 36	213 3

HT

SERIE 70

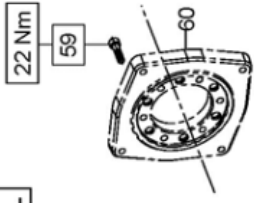


* Lubrificare con grasso al silicone.
 * Lubricate with silicon grease.
 * Graisser avec de la graisse su silicone.
 * Schmierien mit Siikonfett.
 * Lubrique con graxa de sillicona.
 * Lubrifique com graxa de sillicone.

** Fissare con Loctite 243 col. BLU
 ** Affix with Loctite 243 col. BLUE
 ** Fixer avec de la Loctite 243 couleur BLUE
 ** Mit Loctite 243 BLAU befestigen
 ** Fijar con Loctite 243 col. AZUL
 ** Fixar com Loctite 243 cor. BLUE

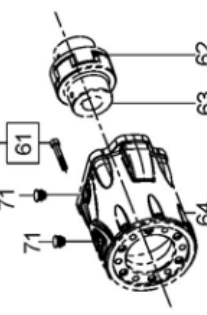
Flangia tipo "A" per azionamenti diretti

OPTIONAL



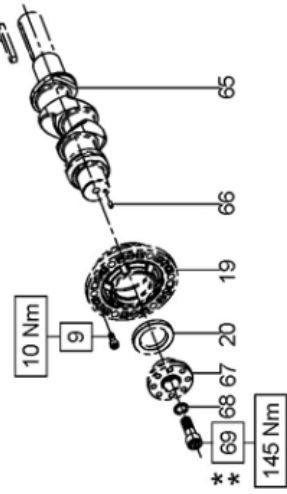
Campana e Giunto per accoppiamenti a motori idraulici SAE B

OPTIONAL

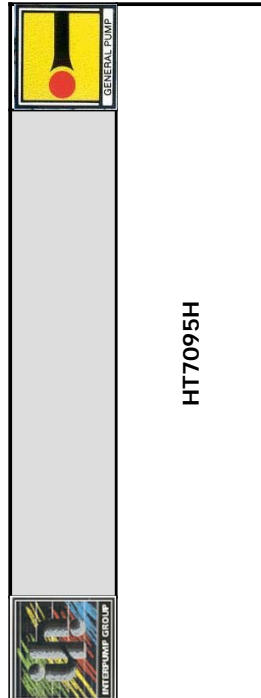


Preso di forza ausiliare su lato opposto azionamento

OPTIONAL



COD. DIS. 70.9502.00



HT7095H

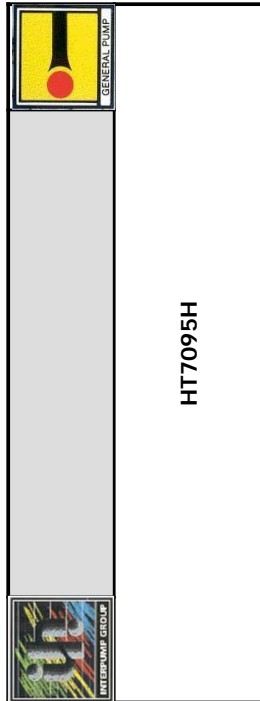
POS	COD.	DESCRIZIONE - DESCRIPTION - KIT	NR
1	70.0100.22	Carter pompa	1
2	91.8477.00	Cuscinetto a rulli	2
3	90.3915.00	OR D. 80.6x2.62 NBR SH. 70 3318	2
4	70.2200.81 70.2203.81	Spessore 0.1 mm. Spessore 0.25 mm.	-
5	90.0756.00	Anello d'arresto A45	1
6	70.2118.01	Spia livello olio	1
7	90.3877.00	OR D. 39.34x2.62 NBR SH. 70 3156	1
8	70.1501.22	Coperchio cuscinetto lato spia	1
9	99.1854.00	Vite M6x16 UNI 5931	20
10	90.3833.00	OR D. 13.95x2.62 NBR SH. 70 3056	4
11	98.2100.50	Tappo G 3/8"x13 TE22 - Zinc.	1
12	98.2115.00	Tappo con asta D. 21.5x70	1
13	70.1600.22	Coperchio posteriore carter	1
14	90.3942.00	OR D. 190.17x2.62 NBR SH. 70 3750	1
15	98.2005.00	Tappo per foro D. 15	5
16	99.3123.00	Vite serraggio biella	6
17	70.0200.35	Albero ecc. C.23	1
18	91.4900.00	Linguetta 8x7x70 UNI 6604	1
19	70.1500.22	Coperchio ciscinetto lato PTO	1
20	90.1668.00	Anello rad. D. 35.0x52.0x7.0	1
22	70.0500.15	Guida pistone	3
23	97.7420.00	Spinotto D. 18x36	3

KIT RICAMBI - SPARE KITS

KIT NR.	KIT 212	KIT 2030	KIT 2032	KIT 2156 2157-2158
Posizioni incluse Positions Included	36 - 38	44 - 45 46 - 47 48 - 49 (50)	34 - 35 36 - 37 38	56 - 57
Nr. Pcs.	3	6	1	3

POS	COD.	DESCRIZIONE - DESCRIPTION - KIT	NR
24	90.1677.00	Anello rad. D. 36.0x47.0x6.0/7.5	3
25	96.7099.00	Rosetta D. 10.0x45.0x1.0	3
26	70.0405.09	Pistone D. 36x62	3
27	90.3584.00	OR D. 10.82x1.78 NBR SH. 70	3
28	70.2241.36	Vite fissaggio pistone	3
29	98.2182.00	Tappo G 1/2"x18	1
30	93.1972.00	Rondella con tenuta G 1/2"	1
31	98.2326.00	Tappo G 1"x17	1
32	93.1985.00	Rondella con tenuta G 1"	1
33	70.1241.41 70.1242.41	Testata D. 36 Testata D. 36 - NPT	1
34	90.3626.00	OR D. 50.52x1.78 NBR SH. 70 2200 2132	3
35	70.0805.70	Anello di fondo D. 36	2132
36	90.2400.00	Anello ten. alt. D. 36x42 LP	212-2132
37	70.2165.70	Anello intermedio D. 36	2132
38	90.2410.00	Anello ten. alt. D. 36x48x8 HP	212-2132
39	99.3816.00	Vite M10x110 UNI 5931	8
40	99.3671.00	Vite M10x25 UNI 5931	14
41	70.2223.41	Coperchio valvole	2
42	70.2116.70	Tappo valvole aspirazione/mandata	6
43	90.5180.00	Anello antiest. D. 32.4x36.5x1.5	6
44	90.3865.00	OR D. 29.82x2.62 NBR SH. 70 3118 2030	12
45	36.2047.05	Guida valvola	2030

POS	COD.	DESCRIZIONE - DESCRIPTION - KIT	NR
46	94.7450.00	Molla Dm. 16.0x27.5	2030
47	36.2010.76	Valvola sferica	2030
48	36.2048.66	Sede valvola	2030
49	90.5178.00	Anello antiest. D. 31x35.5x1.5	2030
50	36.7143.01	Gr. valvola aspiraz./mandata	2030
53	70.0305.01	Biella completa	3
54	70.2225.51	Tappo carter	6
55	71.2259.51	Cappuccio tappo carter	3
56	90.9223.00 90.9224.00 90.9225.00	Semiboc. testa biella - Inf. Semiboc. testa biella + 0.25 - Inf. Semiboc. testa biella + 0.50 - Inf.	2156 2157 2158
57	90.9220.00 90.9221.00 90.9222.00	Semiboc. testa biella - Sup. Semiboc. testa biella + 0.25 - Sup. Semiboc. testa biella + 0.50 - Sup.	2156 2157 2158
58	90.9100.00	Boccola piede biella	3
70	98.2099.00	Tappo G 3/8"x13	3



HT7095H

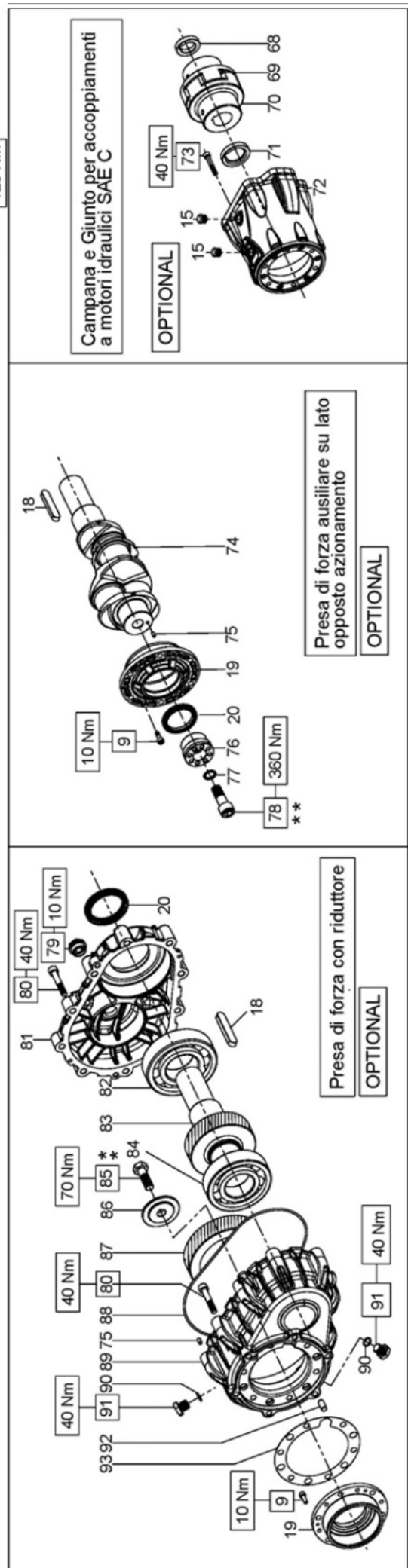
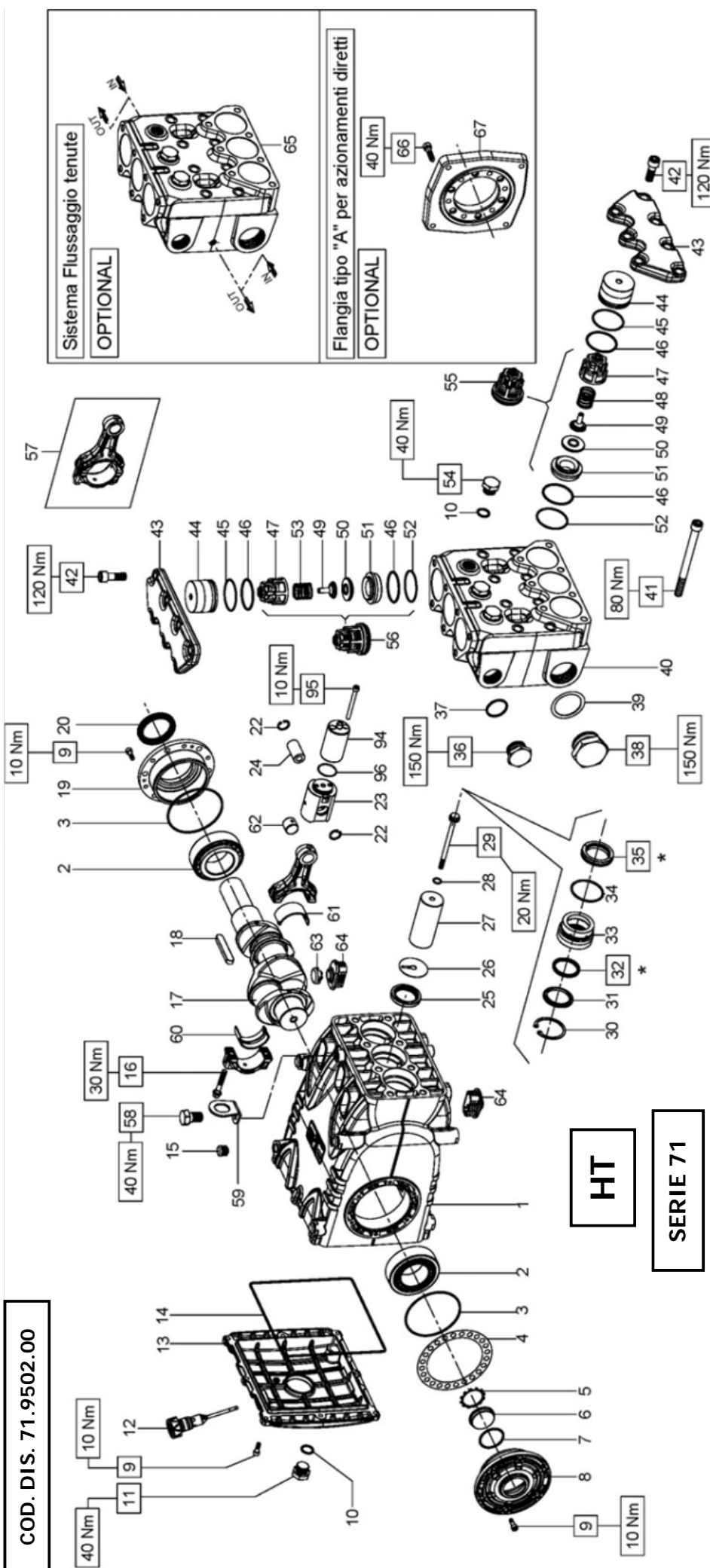
POS	COD.	DESCRIZIONE – DESCRIPTION – KIT	NR
AZIONAMENTI SPECIALI – SPECIAL DRIVES			
AZIONAMENTO DIRETTO CON FLANGIA TIPO A DIRECT DRIVE WITH FLANGE TYPE A			
59	99.3084.00	Vite M8x30 UNI 5931	6
60	10.0673.20	Flangia per motore idraulico	1
AZIONAMENTO IDRAULICO CON CAMPANA E GIUNTO SAE-B HYDRAULIC DRIVE WITH FLANGE AND FLEXIBLE COUPLING SAE-B			
71	98.2060.00	Tappo per foro D. 15	4
61	99.3136.00	Vite M8x45 UNI 5931	6
62	10.0755.47	Elemento elastico	1
63	10.7430.01	Giunto elastico d. 30x25.4	1
64	10.0752.20	Flangia per motore idraulico SAE-B	1
AZIONAMENTO CON PRESA DI FORZA AUSILIARE DRIVE WITH AUXILIARY PTO			
9	99.1867.00	Vite M6x18 UNI 5931	6
18	91.5000.00	Linguetta 12x8x70 UNI 6604	1
19	70.1500.22	Coperchio cuscinetto lato PTO	1
20	90.1668.00	Anello rad. D. 35.0x52.0x7.0	1
65	70.0205.35	Albero ecc. C.23	1
66	97.6152.00	Spina d. 5x10	1
67	70.2234.54	Dispositivo presa di forza ausiliare	1
68	96.7160.00	Rosetta d. 12.0x18.0x1.0	1
69	99.4295.00	Vite M12x35 UNI 5931	1

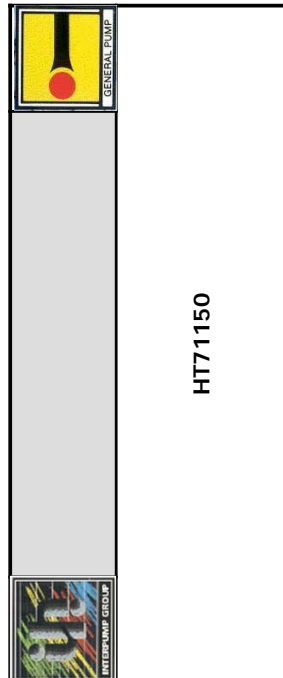
KIT RICAMBI – SPARE KITS

KIT NR.	KIT 212	KIT 2030	KIT 2032	KIT 2156 2157-2158
Posizioni incluse Positions Included	36 - 38	44 - 45 46 - 47 48 - 49 (50)	34 - 35 36 - 37 38	56 - 57
Nr. Pcs.	3	6	1	3



COD. DIS. 71.9502.00





HT71150

KIT RICAMBI – SPARE KITS

KIT NR.	KIT 2012	KIT 2013	KIT 2033	KIT 2034	KIT 2135 2154-2155
Posizioni incluse Positions included	46 - 47 48 - 49 50 - 51 52 53 (55)	46 - 47 49 - 50 51 - 52 53 (56)	32 - 35	30 - 31 32 - 33 34 - 35	60 - 61
Nr. Pcs.	3	3	3	1	3

POS	COD.	DESCRIZIONE – DESCRIPTION KIT	NR
1	71.0100.22	Carter pompa	1
2	91.8590.00	Cuscinetto a rulli	2
3	90.3918.00	OR D. 94.92x2.62 NBR SH. 70 3375	2
4	71.2200.81 71.2203.81	Spessore 0.1 mm. Spessore 0.25 mm.	-
5	90.0756.00	Anello d'arresto Z145	1
6	70.2118.01	Spia livello olio	1
7	90.3877.00	OR D. 39.4x2.62 NBR SH. 70 3156	1
8	71.1501.22	Coperchio cuscinetto lato spia	1
9	99.1867.00	Vite M6x18 UNI 5931	20
10	90.3841.00	OR D. 17.13x2.62 NBR SH. 70 3068	4
11	98.2187.00	Tappo G 1/2"x13 TE27 – Zinc.	1
12	98.2120.00	Tappo con asta D. 21.5x91	1
13	71.1600.22	Coperchio posteriore carter	1
14	90.4000.00	OR D. 215.00x3.00 NBR SH. 70	1
15	98.2060.00	Tappo per foro D. 15	4
16	99.3138.00	Vite serraggio biella	6
17	71.0200.35	Albero ecc. C.50	1
18	91.5000.00	Linguetta 12x8x70 UNI 6604	1
19	71.1500.22	Coperchio cuscinetto lato PTO	1
20	90.1700.00	Anello rad. D. 50.0x65.0x8.0	1
22	90.0606.00	Anello d'arresto J20	6

POS	COD.	DESCRIZIONE – DESCRIPTION – KIT	NR
23	71.0507.15	Guida pistone	3
24	97.7430.00	Spinotto D. 20x38	3
25	90.1678.00	Anello rad. D. 38.0x52.0x7.0/8.5	3
26	96.7140.00	Rosetta D. 10.0x50.0x1.0	3
27	71.0405.09	Pistone D. 40x95	3
28	90.3671.00	OR D. 11.00x2.00 NBR SH. 70	3
29	71.2195.66	Vite fissaggio pistone	3
30	90.0797.00	Anello d'arresto D. 52	2034
31	71.2189.70	Anello per tenuta D. 40	2034
32	90.2450.00	Anello ten. alt. D. 40x46.15 LP 2033-2034	3
33	71.2166.70	Supporto guarnizioni D. 40	2034
34	90.3891.00	OR. D. 52.07x2.62 NBR SH. 70 3206	2034
35	90.2460.00	Anello ten. alt. D. 40x55x10 HP	2033-2034
36	98.2326.00	Tappo G1"x17	1
37	93.1985.00	Rondelle con tenuta G 1"	1
38	98.2440.00	Tappo G 1"-1/2"x20	1
39	93.1990.00	Rondella con tenuta G 1"-1/2"	1
40	71.1232.41 71.1233.41	Testata D. 40 Testata D. 40 - NPT	1
41	99.4480.00	Vite M12x150 UNI 5931	8
42	99.4295.00	Vite M12x35 UNI 5931	14
43	71.2101.36	Coperchio valvole	2

POS	COD.	DESCRIZIONE – DESCRIPTION – KIT	NR
44	71.2111.70	Tappo valvole aspirazione/mandata	6
45	90.5250.00	Anello antiest. D. 50.9x55.0x1.5	6
46	90.3889.00	OR D. 48.89x2.62 NBR SH. 70 3193	2012-2013
47	36.2045.05	Guida valvola	2012-2013
48	94.7540.00	Molla Dm. 24.7x27.0	2012
49	36.2086.51	Guida interna valvola	2012-2013
50	36.2085.02	Valvola sferica	2012-2013
51	36.2041.56	Sede valvola	2012-2013
52	90.5240.00	Anello antiest. D. 49.5x54.0x1.5	2012-2013
53	94.7550.00	Molla Dm. 25.2x26.0	2013
54	98.2183.00	Tappo G 1/2"x13	3
55	36.7136.01	Gr. valvola d'aspirazione	2012
56	36.7137.01	Gr. valvola di mandata	2013
57	71.0307.01	Biella completa	3
58	99.4266.00	Vite M16x25 UNI 5739	1
59	71.2230.74	Staffa di sollevamento	1
60	90.9243.00 90.9244.00 90.9245.00	Semiboc. Testa biella – Inf. Semiboc. Testa biella +0.25 – Inf. Semiboc. Testa biella +0.50 – Inf.	2135 2154 2155
61	90.9240.00 90.9241.00 90.9242.00	Semiboc. Testa biella – Sup. Semiboc. Testa biella +0.25 – Sup. Semiboc. Testa biella +0.50 – Sup.	2135 2154 2155
62	90.9110.00	Boccola piede biella	3
63	71.2259.51	Cappuccio tappo carter	3
64	71.2258.51	Tappo carter	6
94	71.0508.66	Stelo guida pistone	3
95	99.1994.00	Vite M6x65 UNI 5931	6
96	90.3528.00	OR D. 30.00x1.5 NBR SH. 70	3

KIT RICAMBI – SPARE KITS

POS	COD.	DESCRIZIONE – DESCRIPTION – KIT	NR
90	90.3585.00	OR D. 10.82x1.78 NBR SH. 70 2043	2
91	98.2042.50	Tappo G 1/4"x9 Zinc.	2
92	97.6185.00	Spina D. 8x18	1
93	72.2107.84	Guarnizione scatola riduttore	1

* Lubrificare con grasso al silicone.
 * Lubricate with silicon grease.
 * Graisser avec de la graisse su silicone.
 * Schmierer mit Silikonfett.
 * Lubrique con grasa de silicona.
 * Lubrifique com graxa de silicone.

** Fissare con Loctite 243 col. BLU
 ** Affix with Loctite 243 col. BLUE
 ** Fixer avec de la Loctite 243 couleur BLU
 ** Mit Loctite 243 BLAU befestigen
 ** Fijar con Loctite 243 col. AZUL
 ** Fixar com Loctite 243 cor. BLUE

KIT NR.	KIT 2012	KIT 2013	KIT 2033	KIT 2034	KIT 2135 2154-2155
Posizioni include Positions included	46 - 47 48 - 49 50 - 51 52 (55)	46 - 47 49 - 50 51 - 52 53 (56)	32 - 35	30 - 31 32 - 33 34 - 35	60 - 61
Nr. Pcs.	3	3	3	1	3

POS	COD.	DESCRIZIONE – DESCRIPTION – KIT	NR
76	71.2265.54	Dispositivo presa di forza ausiliare	1
77	96.7378.00	Rosetta D. 17.0x24.0x1.0	1
78	99.5142.00	Vite M16x45 UNI 5931	1
AZIONAMENTO CON RIDUTTORE DRIVE WITH GEARBOX			
9	99.1867.00	Vite M6x18 UNI 5931	6
18	91.5000.00	Linguetta 12x8x70 UNI 6604	1
19	71.1500.22	Coperchio cuscinetto lato PTO	1
20	90.1700.00	Anello rad. D. 50.0x65.0x8.0	1
75	97.6152.00	Spina D. 5x10	2
79	97.5940.00	Spia livello olio G 1/2"	1
80	99.3146.00	Vite M8x50 UNI 5931	16
81	72.2109.20	Coperchio scatola riduttore	1
82	91.8593.00	Cuscinetto a sfere	1
83	10.0708.35 10.0709.35 10.0710.35	Pignone Z27-R.1.25 - Ellicoidale Pignone Z25-R.1.50 - Ellicoidale Pignone Z22-R.1.83 - Ellicoidale	1
84	91.8577.00	Cuscinetto a sfere	1
85	99.4307.00	Vite M12x40 UNI 5737	1
86	72.2110.55	Rondella fissag. corona	1
87	10.0711.35 10.0712.35 10.0713.35	Corona Z34-R.1.25 - Ellicoidale Corona Z37-R.1.50 - Ellicoidale Corona Z40-R.1.83 - Ellicoidale	1
88	90.3948.00	OR D. 209.22x2.62 NBR SH. 70	1
89	72.2108.20	Scatola riduttore	1

HT71150
GENERAL PUMP

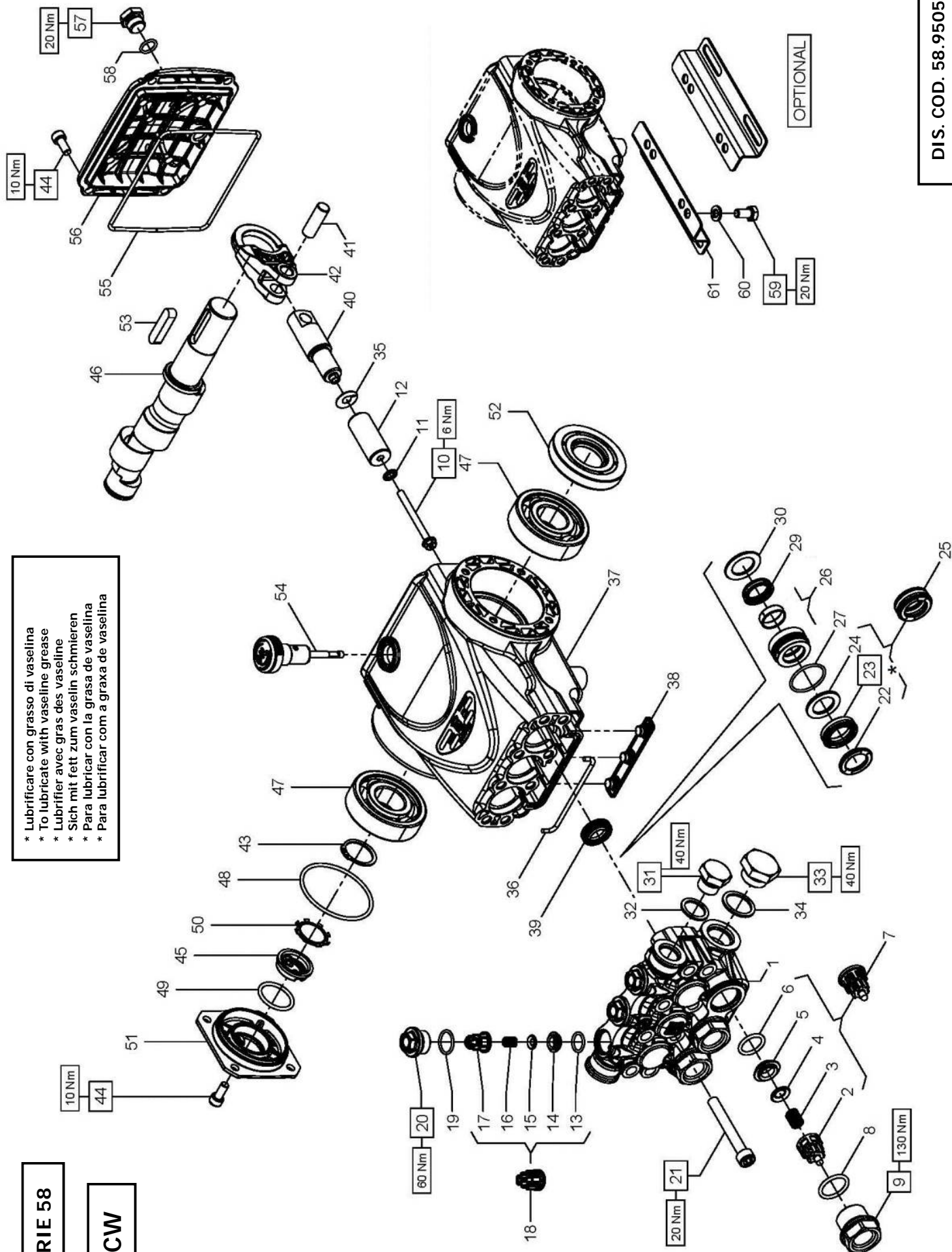
POS	COD.	DESCRIZIONE – DESCRIPTION – KIT	NR
SISTEMA FLUSHING – FLUSHING SYSTEM			
65	-	Testata - FLUSHING	1
AZIONAMENTI SPECIALI – SPECIAL DRIVES			
AZIONAMENTO DIRETTO CON FLNAGIA TIPO A DIRECT DRIVE WITH FLANGE TYPE A			
66	99.3098.00	Vite M8x35 UNI 5931	6
67	10.0677.20	Flangia per motore idraulico	1
AZIONAMENTO IDRAULICO CON CAMPANA E GIUNTO SAE-C HYDRAULIC DRIVE WITH FLANGE AND FEXIBLE COUPLING SAE-C			
15	98.2060.00	Tappo per foro D. 15	2
68	10.0745.70	Distanziale D. 31.75 h.10.5	1
69	10.0749.47	Elemento elastico	1
70	10.7428.01	Giunto elastico D. 40x31.75	1
71	10.0746.70	Distanziale D. 40 h.10	1
72	10.0750.20	Flangia per motore idraulico SAE-C	1
73	99.3146.00	Vite M8x50 UNI 5931	6
AZIONAMENTO CON PRESA DI FORZA AUSILIARE DRIVE WITH AUXILIARY PTO			
9	99.1867.00	Vite M6x18 UNI 5931	6
18	91.5000.00	Linguetta 12x8x70 UNI 6604	1
19	71.1500.22	Coperchio cuscinetto lato PTO	1
20	90.1700.00	Anello rad. D. 50.0x65.0x8.0	1
74	71.0207.35	Albero ecc. C.50	1
75	97.6152.00	Spina D. 5x10	1



SERIE 58

CW

* Lubrificare con grasso di vaselina
* To lubricate with vaseline grease
* Lubrifier avec gras des vaseline
* Sich mit fett zum vaselin schmieren
* Para lubricar con la grasa de vaselina
* Para lubrificar con a graxa de vaselina



DIS. COD. 58.9505.00



C2W2011 - C2W2012 - C2W2013



KIT RICAMBI - SPARE KITS

KIT NR.	KIT 269	KIT 292	KIT 271	KIT 342	KIT 343
Posizioni include Positions included	2 - 3 - 4 - 5 6 - 13 - 14 15 - 16 - 17 (7) - (18)	8 - 9 19 - 20	39	22 - 23 24 - 27 29	22 - 23 24 - 26 27 - 29 30
Nr. Pcs.	3	3	3	3	1

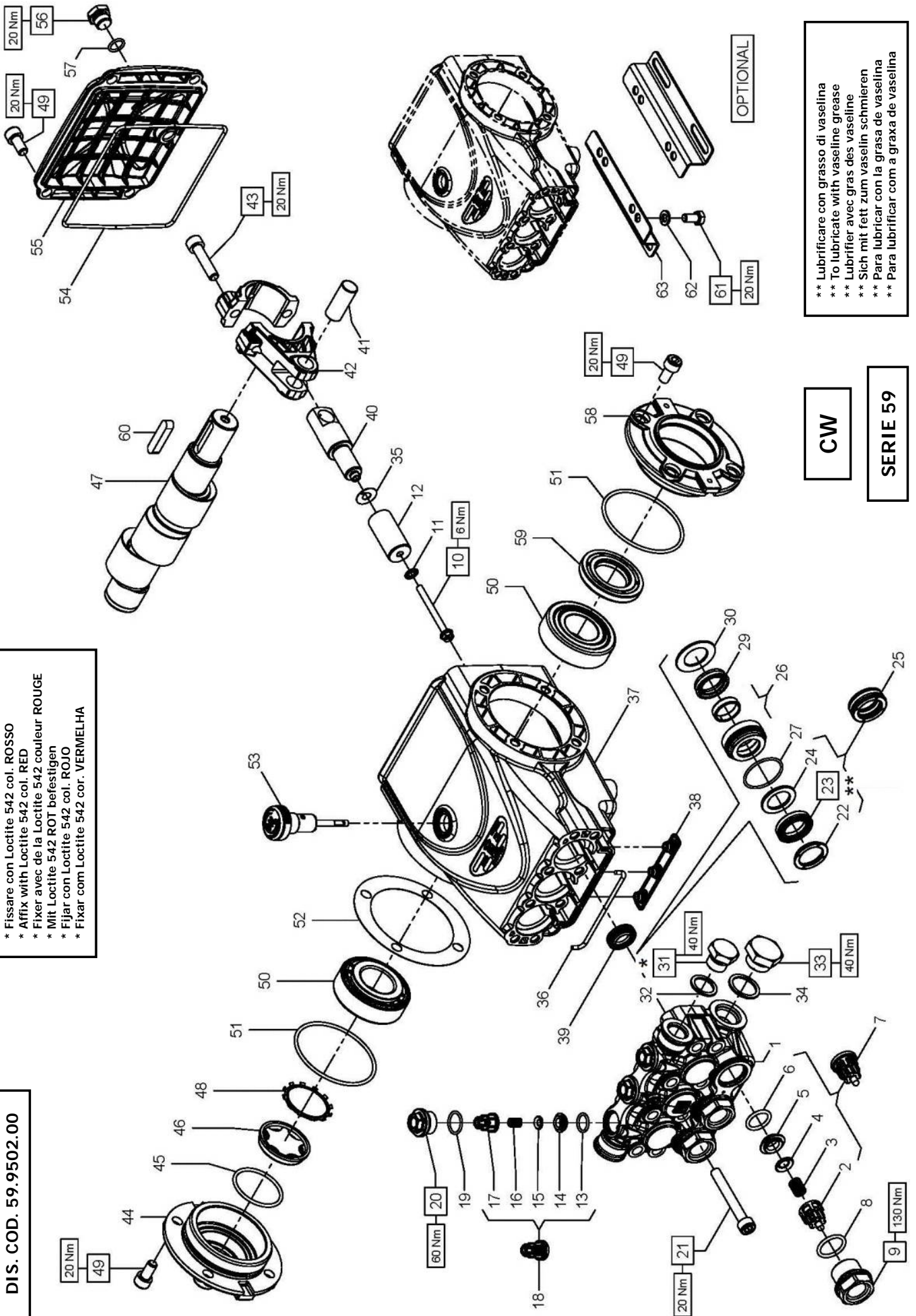
POS	COD.	DESCRIZIONE - DESCRIPTION - KIT	NR
1	58.1208.36	Testata pistone D.18	1
2	36.2025.51	Guida valvola d'aspirazione	269
3	94.7376.00	Molla Dm. 9.4x14.8	269
4	36.2001.76	Valvola sferica	269
5	36.2003.66	Sede valvola d'aspirazione	269
6	90.3841.00	OR D. 17.13x2.62 NBR SH. 70 306	269
7	36.7115.01	Gr. valvola d'aspirazione	269
8	90.3847.00	OR D. 20.24x2.62 NBR 90SH 3081	292
9	98.2225.00	Tappo M24x1.5x16.7	292
10	99.1690.00	Vite M5x55	3
11	96.6905.00	Rosetta D. 5.0x11.5x0.4	3
12	58.0402.09	Pistone D. 18x42	3
13	90.3674.00	OR D. 12.00x2.00 NBR SH. 70	269
14	36.2113.66	Sede valvola di mandata	269
15	36.2112.76	Valvola sferica	269
16	94.7333.00	Molla Dm. 6.2x10.4	269
17	36.2111.51	Guida valvola di mandata	269
18	36.7193.01	Gr. valvola mandata	269
19	90.3593.00	OR D. 15.60x1.78 NBR SH. 70 2062	292
20	98.2137.50	Tappo M18x1.5x10	292
21	99.3175.00	Vite M8x60 UNI 5931	8
22	58.1000.51	Anello di testa D. 18 HP CW	342 343

POS	COD.	DESCRIZIONE - DESCRIPTION - KIT	NR
23	90.2653.30	An. ten. alt. D. 18x28x6/3.7 HP CW	342 343
24	90.5110.00	Anello antiest. D. 18.0x28.0x1.9	342 343
25	90.2655.30	An. ten. alt. D. 18x28x10 HP CW	3
26	58.6058.01	Gr. supp. guarn./boccola D. 18	343
27	90.3606.00	OR D. 26.7x1.78 NBR SH. 70	2106 342 343
29	90.2650.30	An. ten. alt. D. 18x24x5 LP CW	342 343
30	58.2108.70	Anello per tenuta D. 18	343
31	98.2099.00	Tappo G 3/8"x13	1
32	96.7380.00	Rosetta D. 17.5x23.0x1.5	1
33	98.2179.00	Tappo G 1/2"x10	1
34	96.7514.00	Rosetta D. 21.5x27.0x1.5	1
35	96.6990.00	Rosetta D. 7.5x23.0x0.5	3
36	58.2105.82	Guarnizione spugna D. 3x94	1
37	58.0101.22	Carter pompa	1
38	58.2104.51	Protezione	1
39	90.1565.50	Anello rad. D. 15.0x24.0x5.0/7.0	271
40	58.0500.66	Guida pistone	3
41	97.7340.00	Spinotto D. 10x29.5	3
42	58.0300.22	Biella	3
43	90.0635.00	Anello d'arresto A25	1
44	99.1837.00	Vite M6x14 UNI 5931	8

POS	COD.	DESCRIZIONE - DESCRIPTION - KIT	NR
45	53.2108.51	Vetrino spia livello olio	1
46	63.0212.35 63.0291.35 63.0216.35	Albero ecc. C.10 - C2W2011 Albero ecc. C.11 - C2W2012 Albero ecc. C.12 - C2W2013	1
47	91.8331.00	Cuscinetto a sfere	2
48	90.3898.00	OR D. 56.82x2.62 NBR SH. 70	3225
49	90.3859.00	OR D. 25.07x2.62 NBR SH. 70	3100
50	90.0671.00	Anello d'arresto ZJ30	1
51	53.1501.22	Coperchio laterale carter	1
52	90.1641.00	Anello rad. D.25.0x62.0x10.0	1
53	91.4892.00	Linguetta 8x7x35	1
54	98.2105.00	Asta livello olio G 3/8"x51 D. 7	1
55	90.3925.50	OR D. 113.97x2.62 NBR SH. 70	3450
56	58.1601.22	Coperchio posteriore	1
57	98.2042.50	Tappo G 1/4"x9 TE17 - Zinc.	1
58	90.3585.00	OR D. 10.82x1.78 NBR SH. 70	2043
59	99.3037.00	Vite M8x16 UNI 5739	4
60	96.7016.00	Rosetta D. 8.4 UNI 1751	4
61	50.2000.74	Piedino pompa	2

DIS. COD. 59.9502.00

* Fissare con Loctite 542 col. ROSSO
 * Affix with Loctite 542 col. RED
 * Fixer avec de la Loctite 542 couleur ROUGE
 * Mit Loctite 542 ROT befestigen
 * Fijar con Loctite 542 col. ROJO
 * Fixar com Loctite 542 cor. VERMELHA

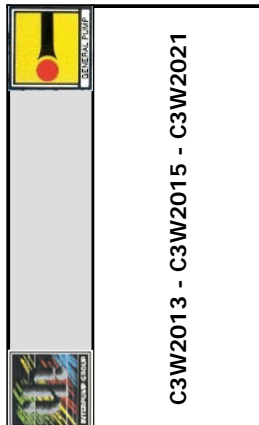


OPTIONAL

CW

SERIE 59

** Lubrificare con grasso di vaselina
 ** To lubricate with vaseline grease
 ** Lubrifier avec gras des vaseline
 ** Sich mit fett zum vaselin schmieren
 ** Para lubrificar con la grasa de vaselina
 ** Para lubrificar com a graxa de vaselina



C3W2013 - C3W2015 - C3W2021

KIT RICAMBI - SPARE KITS

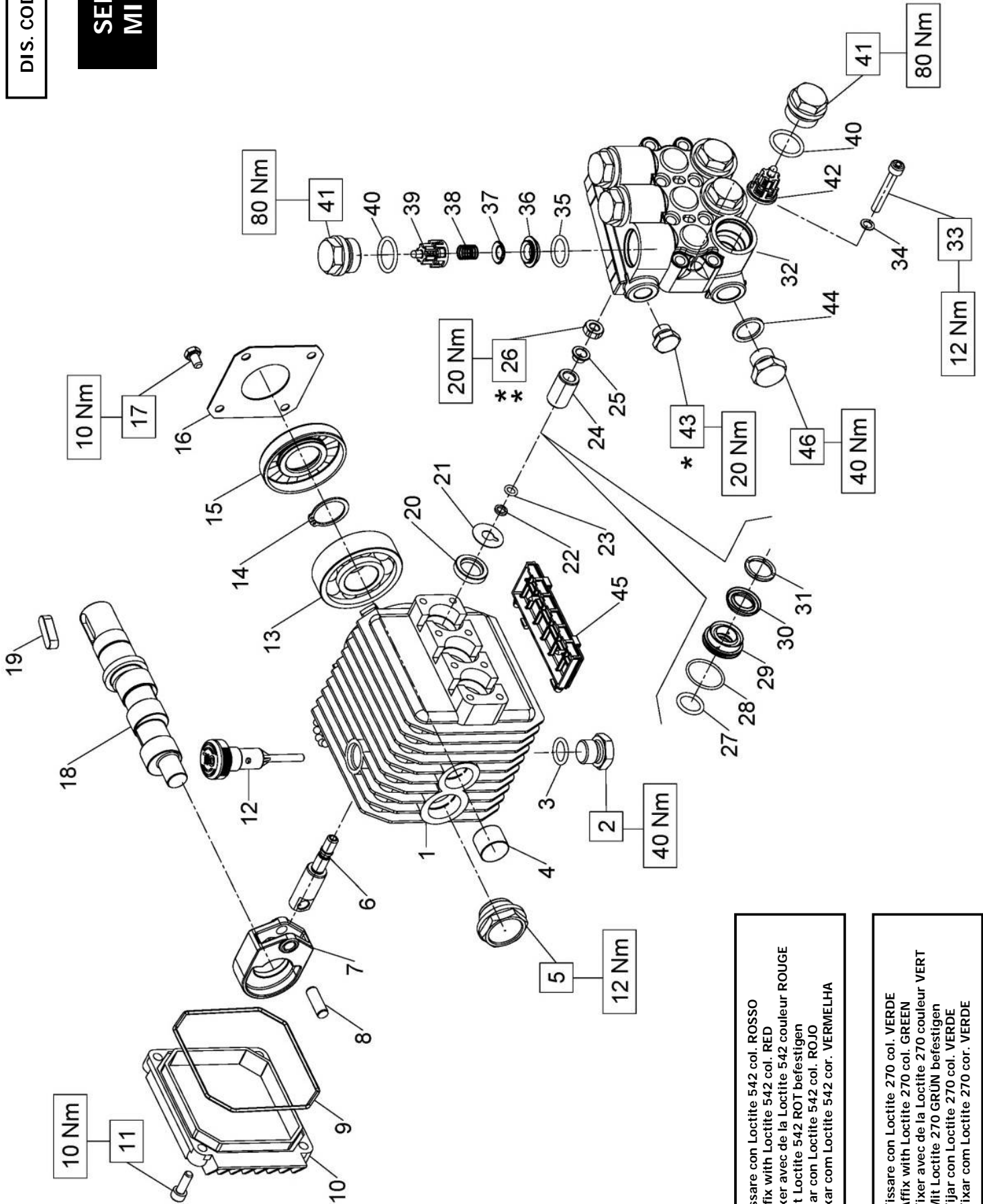
KIT Nr.	KIT 269	KIT 292	KIT 271	PISTON D. 20		PISTON D. 22	
				KIT 344	KIT 345	KIT 346	KIT 347
Posizioni include Positions included (7) - (18)	2 - 3 - 4 - 5 6 - 13 - 14 15 - 16 - 17	8 - 9 19 - 20	39	22 - 23 24 - 27 29	23 - 24 25 - 26 27 - 29 30	22 - 23 24 - 27 29	23 - 24 25 - 26 27 - 29 30
Nr. Pcs.	3	3	3	3	1	3	1

PISTONE - PISTON D. 20		PISTONE - PISTON D. 22	
C3W2013 - C3W2015		C3W2021	
POS	COD.	DESCRIZIONE - DESCRIPTION - KIT	NR
1	59.1220.36 59.1221.36	Testata pompa D. 20 Testata pompa D. 22	1
2	36.2025.51	Guida valvola d'aspirazione	269 3
3	94.7376.00	Molla Dm. 9,4x14,8	269 3
4	36.2001.76	Valvola sferica	269 3
5	36.2003.66	Sede valvola d'aspirazione	269 3
6	90.3841.00	OR D.17.13x2.62 NBR SH. 70 3068 269	3
7	36.7115.01	Gr. valvola d'aspirazione	269 3
8	90.3847.00	OR D.20.24x2.62 NBR SH. 70 3081 292	3
9	98.2225.00	Tappo M 24x1.5x16.7	292 3
10	99.1690.00	Vite M 5x55	3
11	96.6905.00	Rosetta D. 5.0x11.5x0.4	3
12	59.0400.09 59.0401.09	Pistone D. 20x42 Pistone D. 22x42	3
13	90.3674.00	OR D.12.00x2.00 NBR SH. 70	269 3
14	36.2113.66	Sede valvola di mandata	269 3
15	36.2112.76	Valvola sferica	269 3
16	94.7333.00	Molla Dm. 6.2x10.4	269 3
17	36.2111.51	Guida valvola di mandata	269 3
18	36.7193.01	Gr. valvola di mandata	269 3

POS	COD.	DESCRIZIONE - DESCRIPTION - KIT	NR
19	90.3593.00	OR D.15.60x1.78 NBR SH. 70 2062 292	3
20	98.2137.50	Tappo M18x1.5x10	292 3
21	99.3175.00	Vite M 8x60 UNI 5931	8
22	59.1000.51 59.1001.51	Anello di testa D. 20 HP CW Anello di testa D. 22 HP CW	344 345 346 347 3
23	90.2691.30 90.2716.30	An. ten. alt. D.20x30x6/3.7 HP CW An. ten. alt. D.22x32x6/3.7 HP CW	344 345 346 347 3
24	90.5133.00 90.5148.00	Anello antiest. D. 20x30x2.0 Anello antiest. D. 22x32x2.0	344 345 346 347 3
25	90.2692.30 90.2717.30	An. ten. alt. D.20x30x10 HP CW An. ten. alt. D.22x32x10 HP CW	3
26	59.6061.01 59.6062.01	Gr. supp. guarn./boccola D. 20 Gr. supp. guarn./boccola D. 22	345 347 3
27	90.3612.00	OR D. 31.47x1.78 NBR 70 SH. 2125 344 345 346 347	3
29	90.2690.30 90.2715.30	An. ten. alt. D.20x28x6.5 LP CW An. ten. alt. D.22x30x6.5 LP CW	344 345 346 347 3
30	59.2108.70 59.2109.70	Anello per tenuta D. 20 Anello per tenuta D. 22	345 347 3
31	98.2099.00	Tappo G 3/8"x13	1
32	96.7380.00	Rosetta D. 17.5x23.0x1.5	1
33	98.2179.00	Tappo G 1/2"x10	1
34	96.7514.00	Rosetta D. 21.5x27.0x1.5	1
35	96.6990.00	Rosetta D. 7.5x23.0x0.5	3


POS	COD.	DESCRIZIONE - DESCRIPTION - KIT	NR
36	59.2110.82	Guarnizione spugna D. 3x103	1
37	59.0101.22	Carter pompa	1
38	58.2104.51	Protezione	1
39	90.1565.50	Anello rad. D. 15.0x24.0x5.0/7.0	271 3
40	59.0500.66	Guida pistone	3
41	97.7399.00	Spinotto D. 14x34	3
42	59.0300.01	Biella	3
43	99.3099.00	Vite serraggio biella M 8x35	6
44	59.1502.22	Coperchio laterale lato spia	1
45	90.3877.00	OR D. 39.34x2.62 NBR SH. 70 3156	1
46	70.2118.01	Spia livello olio	1
47	59.0201.35 59.0202.35 59.0203.35	Albero ecc. C.13 - C3W2021 Albero ecc. C.12 - C3W2015 Albero ecc. C.10 - C3W2013	1
48	90.0756.00	Anello d'arresto ZJ45	1
49	99.3039.00	Vite M 8x16 UNI 5931	12
50	91.8375.00	Cuscinetto a rulli	2
51	90.3913.00	OR D. 67.95x2.62 NBR SH. 70 3628	2
52	97.5680.00 97.5678.00	Spessore D. 74.5x104x0.3 Spessore D. 74.5x104x0.1	1
53	98.2105.00	Asta livello olio G 3/8"x51	1
54	90.3922.00	OR D. 133.02x2.62 NBR SH. 70 3525	1
55	59.1601.22	Coperchio posteriore	1
56	98.2042.50	Tappo G 1/4"x9 TE17 - Zinc.	1
57	90.3585.00	OR D. 10.82x1.78 NBR SH. 70 2043	1
58	59.1501.22	Coperchio laterale lato PTO	1
59	90.1648.00	Anello rad. D. 30.0x55.0x7.0	1
60	91.4892.00	Linguetta 8x7x35	1
61	99.3037.00	Vite M 8x16 UNI 5739	4
62	96.7016.00	Rosetta D. 8.4 UNI 1751	4
63	50.2000.74	Piedino pompa	2

**SERIE 51
MISTING**



* Fissare con Loctite 542 col. ROSSO
 ** Affix with Loctite 542 col. RED
 * Fixer avec de la Loctite 542 couleur ROUGE
 * Mit Loctite 542 ROT befestigen
 * Fijar con Loctite 542 col. ROJO
 * Fixar com Loctite 542 cor. VERMELHA

** Fissare con Loctite 270 col. VERDE
 ** Affix with Loctite 270 col. GREEN
 ** Fixer avec de la Loctite 270 couleur VERT
 ** Mit Loctite 270 GRÜN befestigen
 ** Fijar con Loctite 270 col. VERDE
 ** Fixar com Loctite 270 cor. VERDE

	
FE5101 - FE5102 - FE5104 - FE5106 - FE5108 - FE5109 - FE5110	
FE5101 - FE5102 - FE5104 - FE5106 - FE5108 - FE5109 - FE5110	

KIT Nr.	KIT 83	KIT 123	KIT 157	PISTONE - PISTON D. 15			PISTONE - PISTON D. 18		
				KIT 86	KIT 96	KIT 97	KIT 139	KIT 140	KIT 141
Posizioni incluse Positions included	20	35 - 36 37 - 38 39 (42)	40 - 41	27 - 28 29	27 - 28 29 - 30 31	27 - 28 30 - 31	27 - 28 29	27 - 28 29 - 30 31	27 - 28 30 - 31
Nr. Pcs.	3	6	6	3	1	3	3	1	3

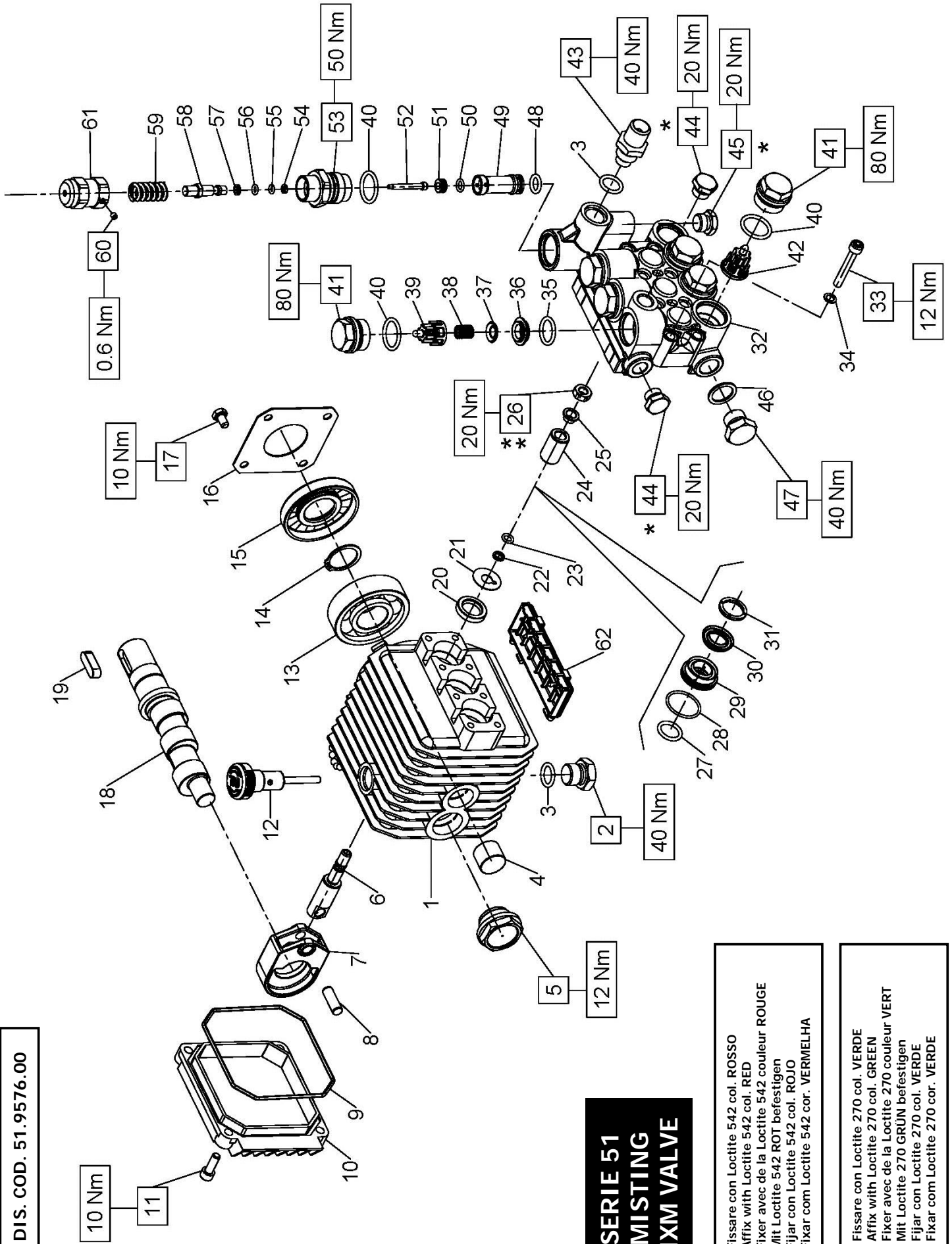
PISTON D. 15		PISTON D. 18	
FE5101 - FE5102 - FE5104 - FE5106		FE5108	

POS	COD.	DESCRIZIONE - DESCRIPTION - KIT	NR
18	51.0230.65 51.0200.65 51.0201.65 51.0204.65 51.0220.65	Albero ecc. C.3.5 - FE5102 Albero ecc. C.6 - FE5104 Albero ecc. C.8 - FE5108 Albero ecc. C.9.4 - FE5106 Albero ecc. C.2 - FE5101	1
19	91.4877.00	Linguetta 8x7x25 UNI 6604	1
20	90.1565.00	Anello rad. D. 15.0x24.0x5.0	83
21	96.7070.00	Rosetta D. 9.0x23.0x0.5	3
22	90.5022.00	Anello antiest. D. 6.2x9.0x1.5	3
23	90.3573.00	OR D. 5.28x1.78 NBR SH. 70 2021	3
24	51.0400.09 51.0401.09	Pistone D. 15x25 Pistone D. 18x25	3
25	44.2115.70	Rosetta D. 8 con collare	3
26	92.2216.00	Dado M8x13x5	3
27	90.3835.00 90.3843.00	OR D. 15.08x2.62 NBR SH. 70 119 OR D. 17.86x2.62 NBR SH. 70 123 139-140-141	3
28	90.3604.00	OR D. 25.12x1.78 NBR SH. 70 2100 86-96-97-139-140-141	3
29	51.0800.70 51.0803.70	Anello di fondo D. 15 Anello di fondo D. 18	3
30	90.2620.00 90.2681.00	Anello ten. alt. D. 15x25x5/3.1 Anello ten. alt. D. 18x26x5/3 140-141	3
31	51.1000.51 51.1001.51	Anello di testa D. 15 Anello di testa D. 18	3
32	51.1200.41 51.1204.41	Testata D. 15 Testata D. 18	1
33	99.1943.00	Vite M6x40 UNI 5931	8

POS	COD.	DESCRIZIONE - DESCRIPTION - KIT	NR
1	51.0106.22	Carter pompa	1
2	98.2100.50	Tappo G 3/8"x13 TE22 Zinc.	1
3	90.3833.00	OR D. 13.95x2.62 NBR SH. 70 3056	1
4	91.8014.00	Boccola a rullini	1
5	97.5968.00	Spia livello olio	1
6	51.0500.56	Guida pistone	3
7	51.0301.22	Biella	3
8	97.7310.00	Spinotto D. 8x24.5	3
9	90.3917.00	OR D. 88.57x2.62 NBR SH. 70 3350	1
10	51.1600.22	Coperchio posteriore	1
11	99.1867.00	Vite M6x18 UNI 5931	4
12	98.2103.00	Tappo carico olio	1
13	91.8328.00	Cuscinetto a sfere	1
14	90.0635.00	Anello d'arresto A25	1
15	90.1641.00	Anello rad. D. 25.0x62.0x10.0	1
16	50.1500.74	Coperchio carter	1
17	99.1807.00	Vite M6x10 UNI 5937	4

POS	COD.	DESCRIZIONE - DESCRIPTION - KIT	NR
34	96.6938.00	Rondella D. 6.4x10.0x0.7	8
35	90.3841.00	OR D. 17.13x2.62 NBR SH. 70 3068 123	6
36	36.2003.66	Sede valvola	123
37	36.2001.76	Valvola sferica	123
38	94.7376.00	Molla Dm. 9.4x14.8	123
39	36.2025.51	Guida valvola	123
40	90.3847.00	OR D. 20.24x2.62 NBR SH. 70 3081 157	6
41	98.2216.00	Tappo M24x1.5x11.2	157
42	36.7115.01	Gr. valvola aspiraz./mandata	123
43	98.2041.00	Tappo G 1/4"x9	1
44	96.7380.00	Rosetta D. 17.5x23.0x1.5	1
45	51.2090.51	Protezione	1
46	98.2100.00	Tappo G 3/8"x13	1


DIS. COD. 51.9576.00



**SERIE 51
MISTING
HXM VALVE**

* Fissare con Loctite 542 col. ROSSO
* Affix with Loctite 542 col. RED
* Fixer avec de la Loctite 542 couleur ROUGE
* Mit Loctite 542 ROT befestigen
* Fijar con Loctite 542 col. ROJO
* Fixar com Loctite 542 cor. VERMELHA

** Fissare con Loctite 270 col. VERDE
** Affix with Loctite 270 col. GREEN
** Fixer avec de la Loctite 270 couleur VERT
** Mit Loctite 270 GRÜN befestigen
** Fijar con Loctite 270 col. VERDE
** Fixar com Loctite 270 cor. VERDE

	
FE5101 - FE5102 - FE5104 - FE5106 - FE5108 - FE5108	
PISTON D. 15	PISTON D. 18
FE5101 - FE5102 - FE5104 - FE5106	FE5108

FE5101 - FE5102 - FE5104 - FE5106 - FE5108 - FE5108	
PISTON D. 15	PISTON D. 18
FE5101 - FE5102 - FE5104 - FE5106	FE5108

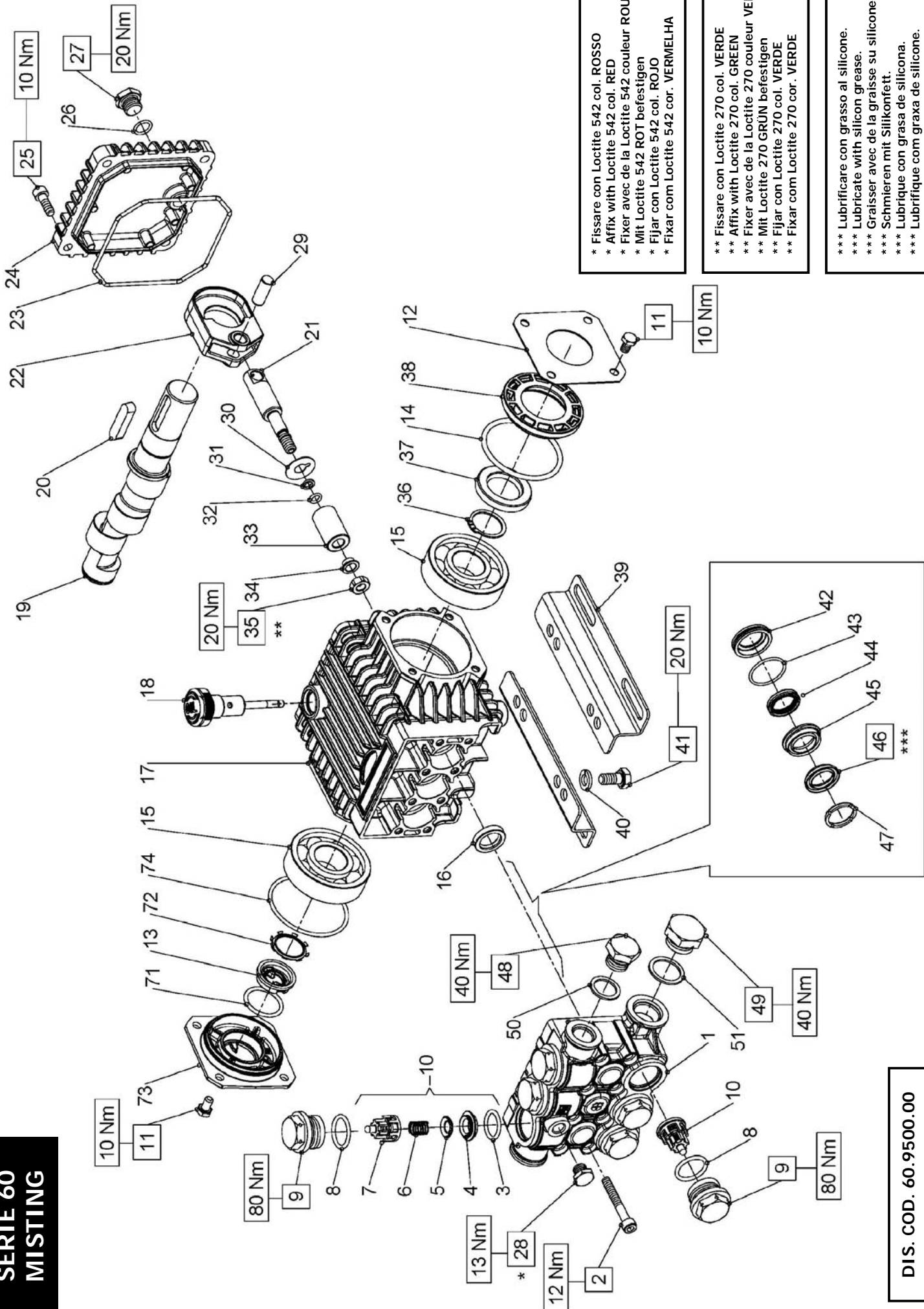
POS	COD.	DESCRIZIONE - DESCRIPTION - KIT	NR
1	51.0106.22	Carter pompa	1
2	98.2100.50	Tappo G 3/8"x13 TE22 Zinc.	1
3	90.3833.00	OR D. 13.95x2.62 NBR SH. 70 3056	2
4	91.8014.00	Boccola a rullini	1
5	97.5968.00	Spia livello olio	1
6	51.0500.56	Guida pistone	3
7	51.0301.22	Biella	3
8	97.7310.00	Spinotto D. 8x24.5	3
9	90.3917.00	OR D. 88.57x2.62 NBR SH. 70 3350	1
10	51.1600.22	Coperchio posteriore	1
11	99.1867.00	Vite M6x18 UNI 5931	4
12	98.2103.00	Tappo carico olio	1
13	91.8328.00	Cuscinetto a sfere	1
14	90.0635.00	Anello d'arresto A25	1
15	90.1641.00	Anello rad. D. 25.0x62.0x10.0	1
16	50.1500.74	Coperchio carter	1
17	99.1807.00	Vite M6x10 UNI 5937	4
18	51.0230.65 51.0200.65 51.0201.65 51.0204.65 51.0220.65	Albero ecc. C.3.5 - FE5102 Albero ecc. C.6 - FE5104 Albero ecc. C.8 - FE5108 Albero ecc. C.9.4 - FE5106 Albero ecc. C.2 - FE5101	1
19	91.4877.00	Linguetta 8x7x25 UNI 6604	1
20	90.1565.00	Anello rad. D. 15.0x24.0x5.0	83

KIT RICAMBI - SPARE KITS				PISTONE - PISTON D. 15			PISTONE - PISTON D. 18			
KIT Nr.	KIT 83	KIT 123	KIT 157	KIT 267	KIT 86	KIT 96	KIT 97	KIT 139	KIT 140	KIT 141
Posizioni incluse Positions included	20	35 - 36 37 - 38 39 (42)	40 - 41	40 - 48 - 49 50 - 51 - 52 - 53 54 - 55 - 56 - 57 58 - 59 - 60 - 61	27 - 28 29	27 - 28 29 - 30 31	28 - 29 30 - 31	27 - 28 29	27 - 28 29 - 30 31	28 - 29 30 - 31
Nr. Pcs.	3	6	6	1	3	1	3	3	1	3

POS	COD.	DESCRIZIONE - DESCRIPTION - KIT	NR
40	90.3847.00	OR D. 20.24x2.62 NBR SH. 70 3081 157-267	7
41	98.2216.00	Tappo M24x1.5x11.2	157
42	36.7115.01	Gr. valvola aspiraz./mandata	123
43	10.0078.70	Nipplo D. 3xG 3/8"	1
44	98.2041.00	Tappo G 1/4"x9	2
45	98.2057.00	Tappo M14x9	1
46	96.7380.00	Rosetta D. 17.5x23.0x1.5	1
47	98.2100.00	Tappo G 3/8"x13	1
48	90.3823.00	OR D. 9.92x2.62 NBR SH. 70 112 267	1
49	36.0056.70	Distanziale sede valvola	267
50	90.3576.00	OR D. 6.75x1.78 NBR SH. 70 106 267	1
51	10.0085.66	Sede valvola	267
52	36.3239.66	Valvola	267
53	36.0055.70	Boccola	267
54	90.5007.00	Anello antiest. D. 4.0x6.8x1.5	267
55	90.3569.00	OR D. 3.69x1.78 NBR SH. 70 2015 267	1
56	90.3570.00	OR D. 4.48x1.78 NBR SH. 70 2018 267	1
57	90.5020.00	Anello antiestr. D. 5.2x8.0x1.5	267
58	36.3237.70	Pistoncino di comando	267
59	94.7400.00	Molla Dm.11.8x28.5	267
61	36.0054.70	Pomolo	267
60	99.1261.00	Vite M4x4 UNI 5923	267
62	51.2090.51	Protezione	1

POS	COD.	DESCRIZIONE - DESCRIPTION - KIT	NR
21	96.7070.00	Rosetta d. 9.0x23.0x0.5	3
22	90.5022.00	Anello antiest. D. 6.2x9.0x1.5	3
23	90.3573.00	OR D. 5.28x1.78 NBR SH. 70 2021	3
24	51.0400.09 51.0401.09	Pistone D. 15x25 Pistone D. 18x25	3
25	44.2115.70	Rosetta D. 8 con collare	3
26	92.2216.00	Dado M8x13x5	3
27	90.3835.00 90.3843.00	OR D. 15.08x2.62 NBR SH. 70 119 OR D. 17.86x2.62 NBR SH. 70 123 86-96 139-140	3
28	90.3604.00	OR D. 25.12x1.78 NBR SH. 70 2100 86-96-97-139-140-141	3
29	51.0800.70 51.0803.70	Anello di fondo D. 15 Anello di fondo D. 18 86-96-97 139-140-141	3
30	90.2620.00 90.2681.00	Anello ten. alt. D. 15x25x5/3.1 Anello ten. alt. D. 18x26x5/3 96-97 140-141	3
31	51.1000.51 51.1001.51	Anello di testa D. 15 Anello di testa D. 18 96-97 140-141	3
32	51.1201.41 51.1205.41	Testata D. 15 Testata D. 18	1
33	99.1943.00	Vite M6x40 UNI 5931	8
34	96.6938.00	Rondella D. 6.4x10x0.7	8
35	90.3841.00	OR D. 17.13x2.62 NBR SH. 70 3068 123	6
36	36.2003.66	Sede valvola	123
37	36.2001.76	Valvola sferica	123
38	94.7376.00	Molla Dm. 9.4x14.8	123
39	36.2025.51	Guida valvola	123

SERIE 60 MISTING




* Fissare con Loctite 542 col. ROSSO
 * Affix with Loctite 542 col. RED
 * Fixer avec de la Loctite 542 couleur ROUGE
 * Mit Loctite 542 ROT befestigen
 * Fijar con Loctite 542 col. ROJO
 * Fixar com Loctite 542 cor. VERMELHA

** Fissare con Loctite 270 col. VERDE
 ** Affix with Loctite 270 col. GREEN
 ** Fixer avec de la Loctite 270 couleur VERT
 ** Mit Loctite 270 GRUN befestigen
 ** Fijar con Loctite 270 col. VERDE
 ** Fixar com Loctite 270 cor. VERDE

*** Lubrificare con grasso al silicone.
 *** Lubricate with silicon grease.
 *** Graisser avec de la graisse su silicone.
 *** Schmierer mit Silikonfett.
 *** Lubrique con grasa de silicona.
 *** Lubrifiquer com graxa de silicone.

DIS. COD. 60.9500.00

	
FE6004 - FE6006 - FE6008 - FE6010 - FE6012	

PISTON Ø 15		PISTON Ø 18	
FE6004 - FE6006 - FE6008		FE6010 - FE6012	

POS	COD.	DESCRIZIONE - DESCRIPTION - KIT	NR
1	60.1200.41 60.1201.41	Testata D. 15 Testata D. 18	1
2	99.1950.00	Vite M6x45 5931 8.8 Zinc.	8
3	90.3841.00	OR D. 17.13x2.62 NBR SH. 70 3068 123	6
4	36.2003.66	Sede valvola	123 6
5	36.2001.76	Valvola sferica	123 6
6	94.7376.00	Molla Dm. 9.4x14.8	123 6
7	36.2025.51	Guida valvola	123 6
8	90.3847.00	OR D. 20.24x2.62 NBR SH. 70 3081	6
9	98.2214.00	Tappo valvola M24x1.5	6
10	36.7115.01	Gr. valvola aspiraz./mandata	123 6
11	99.1807.00	Vite M6x10 5739	8
12	50.1500.74	Coperchio carter	1
13	53.2108.51	Vetrino spia livello olio	1
14	90.4097.00	OR D. 55.56x3.56 NBR SH. 70 159	1
15	91.8328.00	Cuscinetto a sfere	2
16	90.1565.00	Anello rad. D. 15.0x24.0x5.0	83 3
17	60.0100.22	Carter pompa	1
18	98.2103.00	Tappo carico olio	1

KIT RICAMBI - SPARE KITS						PISTONE - PISTON D. 15						PISTONE - PISTON D. 18					
KIT Nr.	KIT 83	KIT 123	KIT 196	KIT 198	KIT 200	KIT 226	KIT 197	KIT 199	KIT 225	KIT 227	POS	COD.	DESCRIZIONE - DESCRIPTION - KIT	NR			
Posizioni incluse Positions Included	16	3 - 4 5 - 6 7 (10)	44 - 46 47	45	42 - 43	42 - 43 44 - 45 46 - 47	44 - 46 47	45	42 - 43	42 - 43 44 - 45 46 - 47	40	96.7016.00	Rosetta D. 8.4x14.4x2.0	4			
Nr. Pcs.	3	6	3	3	3	1	3	3	3	1	3	3	3	3	1		

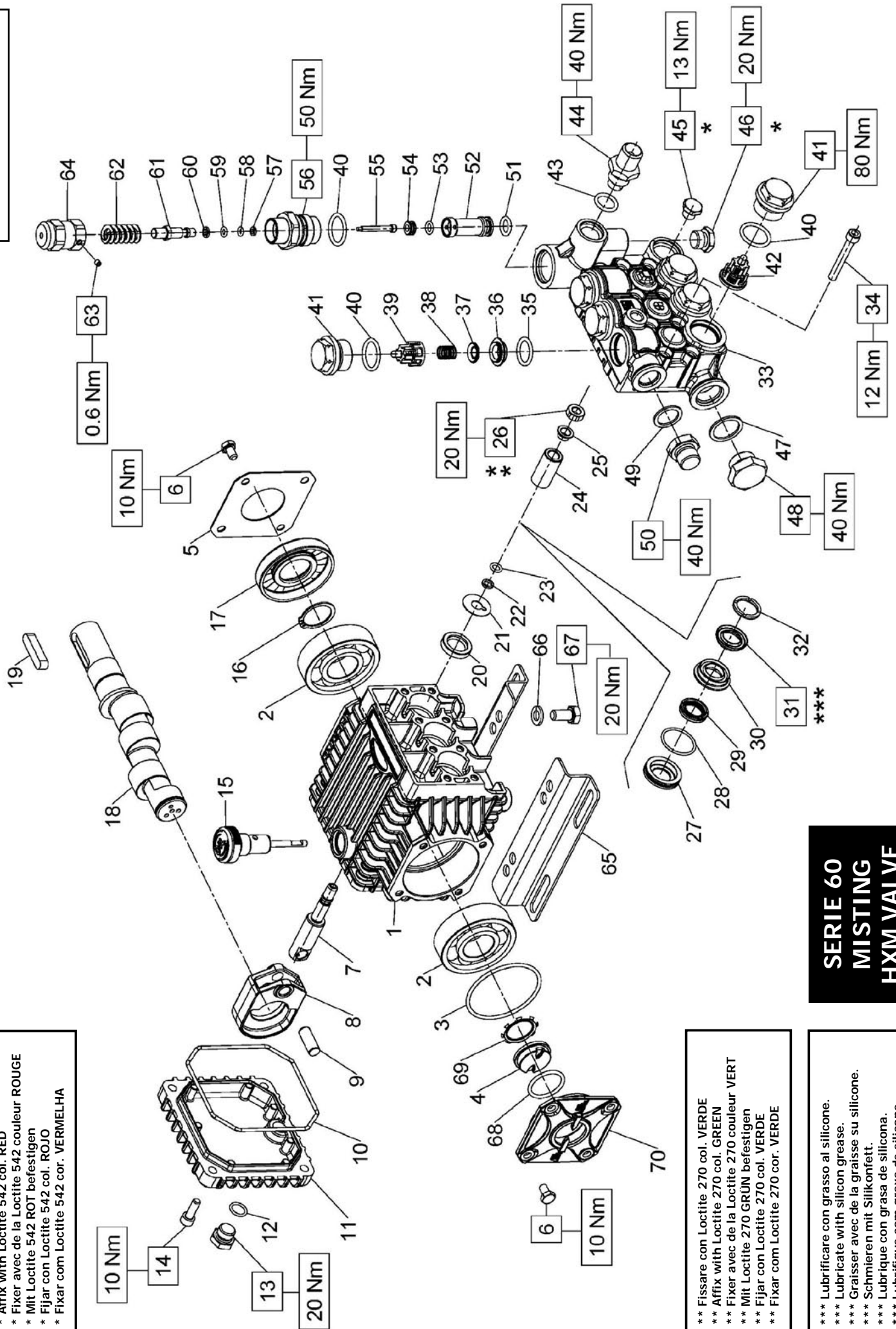
POS	COD.	DESCRIZIONE - DESCRIPTION - KIT	NR
19	60.0204.65 60.0212.35 60.0217.35	Albero ecc. C.6 - FE6004 Albero ecc. C.9.4 - FE6006 FE6010 Albero ecc. C.11.5 - FE6008 FE6012	1
20	91.4892.00	Linguetta 8x7x35	1
21	60.0500.66	Guida pistone	3
22	60.0300.22	Biella	3
23	90.3918.00	OR D. 94.92x2.62 NBR SH. 70 3375	1
24	60.1600.22	Coperchio posteriore	1
25	99.1867.00	Vite M6x18 5931	4
26	90.3585.00	OR D. 10.82x1.78 NBR SH. 70 2043	1
27	98.2042.50	Tappo G 1/4"x9 TE17 Zinc.	1
28	98.1966.00	Tappo G 1/8"x8	1
29	97.7333.00	Spinotto D. 9x24.5	3
30	96.7070.00	Rosetta D. 9.0x23.0x0.5	3
31	90.5022.00	Anello antiestr. D. 6.2x9.0x1.5	3
32	90.3573.00	OR D. 5.28x1.78 NBR 70SH. 2021	3
33	60.0400.09 60.0401.09	Pistone D. 15x30 Pistone D. 18x30	1
34	44.2115.70	Rosetta con collare D. 8	3
35	92.2216.00	Dado M8x13x5	3
36	90.0635.00	Anello d'arresto A25	1
37	90.1641.00	Anello rad. D. 25.0x62.0x10.0	1
38	90.1634.00	Distanziale	1
39	50.2000.74	Piedino pompa	2

DIS. COD. 60. 9511.00

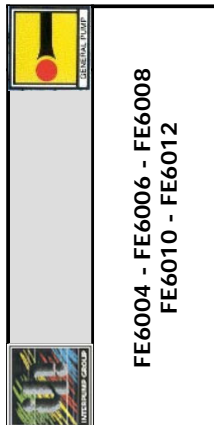
* Fissare con Loctite 542 col. ROSSO
 * Affix with Loctite 542 col. RED
 * Fixer avec de la Loctite 542 couleur ROUGE
 * Mit Loctite 542 ROT befestigen
 * Fijar con Loctite 542 col. ROJO
 * Fixar com Loctite 542 cor. VERMELHA

** Fissare con Loctite 270 col. VERDE
 ** Affix with Loctite 270 col. GREEN
 ** Fixer avec de la Loctite 270 couleur VERT
 ** Mit Loctite 270 GRÜN befestigen
 ** Fijar con Loctite 270 col. VERDE
 ** Fixar com Loctite 270 cor. VERDE

*** Lubrificare con grasso al silicone.
 *** Lubricate with silicon grease.
 *** Graisser avec de la graisse su silicone.
 *** Schmierer mit Silikonfett.
 *** Lubrique con graxa de silicona.
 *** Lubrifique com graxa de silicone.



**SERIE 60
 MISTING
 HXM VALVE**



PISTON D. 15	
FE6004 - FE6006 - FE6008	
PISTON D. 18	
FE6010 - FE6012	

KIT RICAMBI – SPARE KITS

KIT Nr.	KIT 83	KIT 123	KIT 267	PISTON D. 15		PISTON D. 18	
Posizioni include Positions included	20	35 - 36 37 - 38 39 (42)	40 - 51 - 52 - 53 54 - 55 - 56 - 57 58 - 59 - 60 - 61 62 - 63 - 64	3	6	1	3
Nr. Pcs.	3	6	1	3	3	3	3

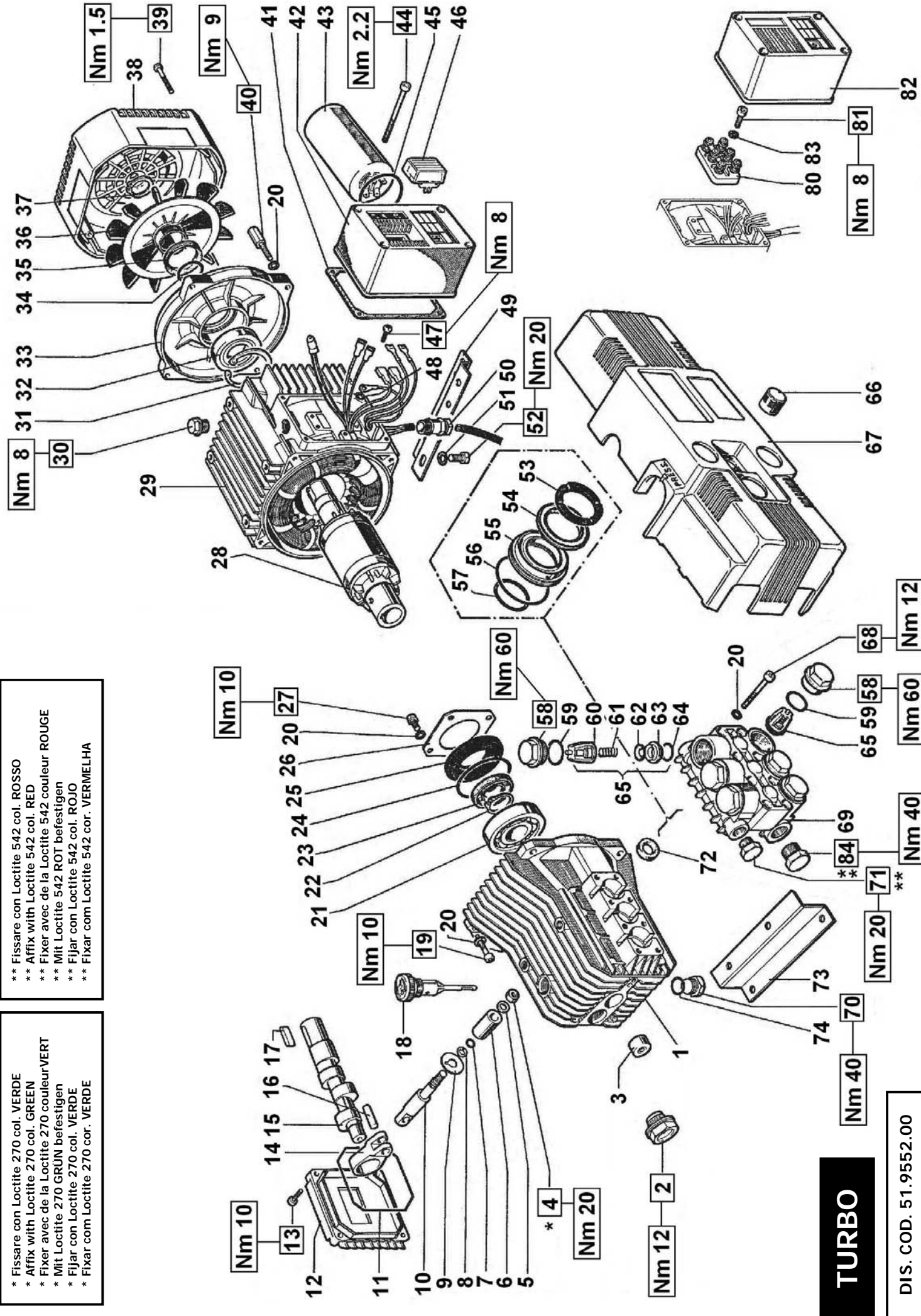
POS	COD.	DESCRIZIONE – DESCRIPTION - KIT	NR
1	60.0100.22	Carter pompa	1
2	91.8328.00	Cuscinetto a sfere	2
3	90.3898.00	OR D. 56.82x2.62 NBR SH. 70 3225	1
4	53.2108.51	Vetrino spia livello olio	1
5	50.1500.74	Coperchio carter	1
6	99.1807.00	Vite M6x10 5739	8
7	60.0500.66	Guida pistone	3
8	60.0300.22	Biella	3
9	97.7333.00	Spinotto D. 9x24.5	3
10	90.3918.00	OR D. 94.92x2.62 NBR SH. 70 3375	1
11	60.1600.22	Coperchio posteriore carter	1
12	90.3585.00	OR D. 10.82x1.78 NBR SH. 70 2043	1
13	98.2042.50	Tappo G 1/4"x9 TE17 Zinc.	1
14	99.1867.00	Vite M6x18 5931	4
15	98.2103.00	Tappo carico olio	1
16	90.0635.00	Anello d'arresto A25	1
17	90.1641.00	Anello rad. D. 25.0x62.0x10.0	1
18	60.0204.65 60.0212.35 60.0217.35	Albero ecc. C.6 - FE6004 Albero ecc. C.9.4 - FE6006 FE6010 Albero ecc. C.11.5 - FE6008 FE6012	1
19	91.4892.00	Linguetta 8x7x35	1
20	90.1565.00	Anello rad. D. 15.0x24.0x5.0	83
21	96.7070.00	Rosetta D. 9.0x23.0x0.5	3
22	90.5022.00	Anello antiestr. D. 6.2x9.0x1.5	3
23	90.3573.00	OR D. 5.28x1.78 NBR 70SH. 2021	3
24	60.0400.09 60.0401.09	Pistone D. 15x30 Pistone D. 18x30	1

POS	COD.	DESCRIZIONE – DESCRIPTION - KIT	NR
25	44.2115.70	Rosetta con collare D. 8	3
26	92.2216.00	Dado M8x13x5	3
27	60.0800.70 60.0801.70	Anello di fondo D. 15 Anello di fondo D. 18	3 200-226 225-227
28	90.3604.00	OR D. 25.12x1.78NBR 70SH. 2100 200-225-226-227	3
29	90.2608.00 90.2650.00	Anello ten. alt. D. 15x22x5 LP Anello ten. alt. D. 18x24x5 LP	3 196-226 197-227
30	60.2160.70 60.2161.70	Anello intermedio D. 15 Anello intermedio D. 18	3 198-226 199-227
31	90.2620.00 90.2681.00	Anello ten. alt. D. 15x25x5/3 HP Anello ten. alt. D. 18x26x5/3 HP	3 196-226 197-227
32	51.1001.51 51.1000.51	Anello di testa D. 15 Anello di testa D. 18	3 196-226 197-227
33	60.1204.41 60.1205.41	Testata D. 15 Testata D. 18	1
34	99.1950.00	Vite M6x45 5931	8
35	90.3841.00	OR D. 17.13x2.62 NBR SH. 70 3068	123
36	36.2003.66	Sede valvola	123
37	36.2001.76	Valvola sferica	123
38	94.7376.00	Molla Dm. 9.4x14.8	123
39	36.2025.51	Guida valvola	123
40	90.3847.00	OR D. 20.24x2.62 NBR SH. 70 3081	267
41	98.2214.00	Tappo valvola M24x1.5	6
42	36.7115.01	Gr. valvola aspiraz./mandata	123
43	90.3833.00	OR D. 13.95x2.62 NBR SH. 70 3056	1
44	10.0078.70	Nipppo D. 3xG 3/8"	1
45	98.1966.00	Tappo G 1/8"x8	1
46	98.2057.00	Tappo M14x1x9	1

POS	COD.	DESCRIZIONE – DESCRIPTION - KIT	NR
47	96.7514.00	Rosetta D. 21.5x27.0x1.5	1
48	98.2176.00	Tappo G 1/2"x10	1
49	96.7380.00	Rosetta D. 17.5x23.0x1.5	1
50	98.2100.00	Tappo G 3/8"x13	1
51	90.3823.00	OR D. 9.92x2.62 NBR SH. 70 112	267
52	36.0056.70	Distanziale sede valvola	267
53	90.3576.00	OR D. 6.75x1.78 NBR SH. 70 106	267
54	10.0085.66	Sede valvola	267
55	36.3239.66	Valvola	267
56	36.0055.70	Boccola	267
57	90.5007.00	Anello antiest. D. 4.0x6.8x1.5	267
58	90.3569.00	OR D. 3.69x1.78 NBR SH. 70 2015	267
59	90.3570.00	OR D. 4.48x1.78 NBR SH. 70 2018	267
60	90.5020.00	Anello antiest. D. 5.2x8.0x1.5	267
61	36.3237.70	Pistoncino di comando	267
62	94.7400.00	Molla Dm. 11.8x28.5	267
63	99.1261.00	Vite M4x4 5923	267
64	36.0054.70	Pomolo	267
65	50.2000.74	Piedino pompa	2
66	96.7016.00	Rondella D. 8.4x14.4x2.0	4
67	99.3037.00	Vite M8x16 5739	4
68	90.3859.00	OR D. 25.07x2.62 NBR 70SH. 3100	1
69	90.0671.00	Anello d'arresto Z130	1
70	53.1500.22	Coperchio laterale carter	1

* Fissare con Loctite 270 col. VERDE
 * Affix with Loctite 270 col. GREEN
 * Fixer avec de la Loctite 270 couleur VERT
 * Mit Loctite 270 GRÜN befestigen
 * Fijar con Loctite 270 col. VERDE
 * Fixar com Loctite 270 cor. VERDE

** Fissare con Loctite 542 col. ROSSO
 ** Affix with Loctite 542 col. RED
 ** Fixer avec de la Loctite 542 couleur ROUGE
 ** Mit Loctite 542 ROT befestigen
 ** Fijar con Loctite 542 col. ROJO
 ** Fixar com Loctite 542 cor. VERMELHA



TURBO

DIS. COD. 51.9552.00



TURBO 8/70 - TURBO 11/50

POS	COD.	DESCRIZIONE - DESCRIPTION - KIT	NR
1	51.0100.22	Carter pompa	1
2	97.5968.00	Spia livello olio G 3/4"	1
3	91.8014.00	Boccola a rullini	1
4	92.2216.00	Dado M8x13x5	3
5	44.2115.70	Rosetta D. 8 con collare	3
6	51.0400.09	Pistone D. 15x25	3
7	90.3572.00	OR D. 5.28x1.78 NBR SH. 70 2021	3
8	90.5022.00	Anello antiest. D. 6.2x9.0x1.5	3
9	96.7070.00	Rosetta D. 9.0x23.0x0.5	3
10	51.0500.56	Guida pistone	3
11	90.3917.00	OR D. 88.57x2.62 NBR SH. 70 3350	1
12	51.1600.22	Coperchio posteriore carter	1
13	99.1867.00	Vite M6x18 UNI 5931	4
14	51.0300.22	Biella	3
15	51.0200.35 51.0201.35	Albero ecc. C.6 - 8/70 Albero ecc. C.8 - 11/50	1
16	97.7310.00	Spinotto D. 8x24.5	3
17	91.4877.00	Linguetta 8x7x25 UNI 6604	1
18	98.2103.00	Tappo carico olio G 3/8"	1
19	99.1897.00	Vite M6x25 UNI 5931	4
20	96.6938.00	Rosetta D. 6.4x10.0x0.7	20
21	91.8328.00	Cuscinetto a sfere	1
22	90.0635.00	Anello d'arresto A25 UNI 7435	1
23	90.1634.00	Anello rad. D. 25.0x42.0x7.0	1
24	90.4097.00	OR D. 55.56x3.53 NBR SH. 70 159	1
25	50.2115.51	Distanziale	1

KIT RICAMBI - SPARE KITS

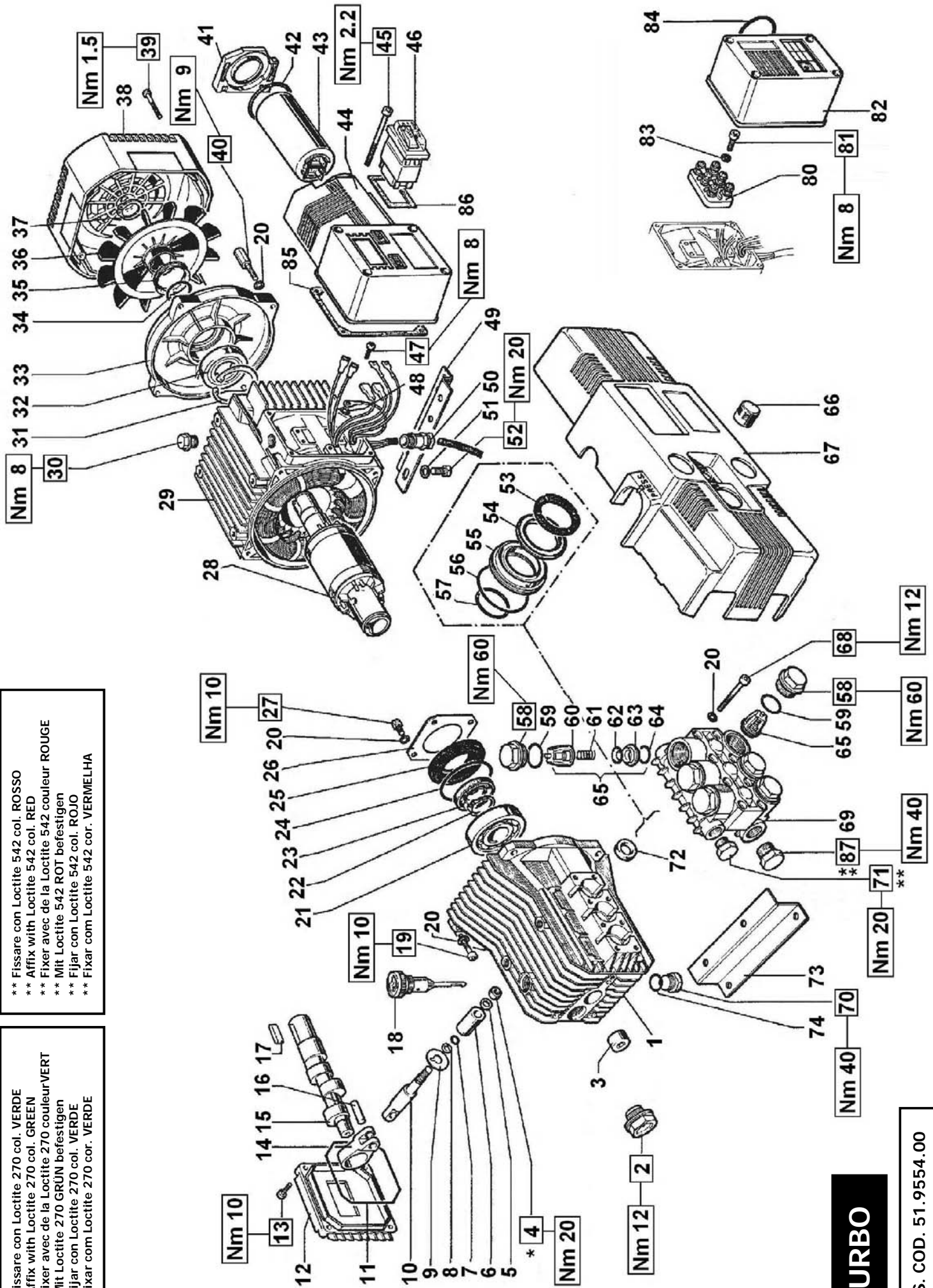
KIT Nr.	KIT 1	KIT 83	KIT 84	KIT 86	KIT 96	KIT 97
Posizioni include Positions included	60 - 61 62 - 63 64 (65)	72	58 - 59 57	55 - 56 57	53 - 54 55 - 56 57	53 - 54 56 - 57
Nr. Pcs.	6	3	6	3	1	3

POS	COD.	DESCRIZIONE - DESCRIPTION - KIT	NR
26	50.1500.74	Coperchio laterale carter	1
27	99.1807.00	Vite M6x10 UNI 5739	4
28	41.3403.02	Rotore comp. 1.5 CV - 2P - 50 Hz	1
29	41.3203.02 41.3208.02	Statore comp. 1.5 CV - Mon. - 220V Statore comp. 1.5 CV - Mon. - 240V	1
30	98.2093.00	Tappo G 3/8"	1
31	90.0795.00	Anello d'arresto J52 UNI 7437	1
32	91.8323.00	Cuscinetto a sfere	1
33	41.0700.22	Scudo posteriore	1
34	90.3857.00	OR D. 23.81x2.62 NBR SH. 70 132	1
35	90.1652.00	Anello V-SEAL	1
36	41.0300.51	Ventola	1
37	90.0628.00	Anello d'arresto A24 UNI 7435	1
38	41.0400.51	Copriventola	1
39	99.1658.00	Vite M5x45 UNI 7687	4
40	41.2104.65	Vite fissaggio scudo posteriore	4
41	41.2101.47	Guarnizione copribasetta	1
42	41.2103.51	Copribasetta	1
43	93.5648.00	Condensatore 40 µF	1
44	99.1705.00	Vite M5x65 UNI 5931	4
45	90.3889.00	OR D. 48.89x2.62 NBR SH. 70 3193	1
46	93.5042.00	Interruttore	1
47	99.1515.00	Vite M5x12 UNI 7387	1
48	96.6913.00	Rosetta D. 5.3x9.0x0.6	1
49	51.2003.74	Piedino motore	1
50	93.5208.00	Pressacavo G 3/8"x D. 8	1

POS	COD.	DESCRIZIONE - DESCRIPTION - KIT	NR
51	96.7014.00	Rosetta D. 8.4x13.0x0.8	4
52	99.3037.00	Vite M8x16 UNI 5739	4
53	51.1000.51	Anello di testa D. 15	96-97
54	90.2620.00	Anello ten. alt. D. 15x25x5/3.1 HP	96-97
55	51.0800.70	Anello di fondo D. 15	86-96
56	90.3604.00	OR D. 25.12x1.78 NBR SH. 70 2100	86-96-97
57	90.3835.00	OR D. 15.08x2.62 NBR SH. 70 119	86-96-97
58	98.2218.00	Tappo M24x1.5	84
59	90.3847.00	OR D. 20.24x2.62 NBR SH. 70 3081	84
60	36.2002.51	Guida valvola aspiraz./mandata	1
61	94.7376.00	Molla Dm. 9.4x14.8	1
62	36.2001.76	Valvola	1
63	36.2003.66	Sede valvola	1
64	90.3841.00	OR D. 17.13x2.62 NBR SH. 70 3068	1
65	36.7032.01	Gr. valvola aspiraz./mandata	1
66	52.2122.51	Pomolo	1
67	51.2103.51	Carter di protezione	1
68	99.1943.00	Vite M6x40 UNI 5931	8
69	51.1200.22 51.1200.41	Testata pompa D. 15 - NK Testata pompa D. 15	1
70	98.2100.50	Tappo G 3/8"x13 TE22 - Zinc.	1
71	98.2041.00	Tappo G 1/4"x9	1
72	90.1565.00	Anello rad. D. 15.0x24.0x5.0	83
73	51.2002.74	Piedino pompa	1
74	90.3833.00	OR D. 13.95x2.62 NBR SH. 70 3056	1
80	93.5745.00	Basetta	1
81	99.1537.00	Vite M5x12 UNI 5931	2
82	41.2122.51	Copribasetta - versione senza interrutt.	1
83	96.6910.00	Rosetta D. 5.3x9.0x0.6	2
84	98.2100.00	Tappo G 3/8"x13	1

* Fissare con Loctite 270 col. VERDE
 * Affix with Loctite 270 col. GREEN
 * Fixer avec de la Loctite 270 couleur VERT
 * Mit Loctite 270 GRÜN befestigen
 * Fijar con Loctite 270 col. VERDE
 * Fixar com Loctite 270 cor. VERDE

** Fissare con Loctite 542 col. ROSSO
 ** Affix with Loctite 542 col. RED
 ** Fixer avec de la Loctite 542 couleur ROUGE
 ** Mit Loctite 542 ROT befestigen
 ** Fijar con Loctite 542 col. ROJO
 ** Fixar com Loctite 542 cor. VERMELHA



TURBO

DIS. COD. 51.9554.00



**TURBO 10/100 - TURBO 15 - TURBO 19
TURBO 21 - TURBO 22**

POS	COD.	DESCRIZIONE - DESCRIPTION - KIT	NR
1	51.0100.22	Carter pompa	1
2	97.5968.00	Spia livello olio G 3/4"	1
3	91.8014.00	Boccola a rullini	1
4	92.2216.00	Dado M8x13x5	3
5	44.2115.70	Rosetta D. 8 con collare	3
6	51.0400.09	Pistone D. 15x25	3
7	90.3572.00	OR D. 5.28x1.78 NBR SH. 70 2021	3
8	90.5022.00	Anello antiest. D. 6.2x9.0x1.5	3
9	96.7070.00	Rosetta D. 9.0x23.0x0.5	3
10	51.0500.56	Guida pistone	3
11	90.3917.00	OR D. 88.57x2.62 NBR SH. 70 3350	1
12	51.1600.22	Coperchio posteriore carter	1
13	99.1867.00	Vite M6x18 UNI 5931	4
14	51.0300.22	Biella	3
15	51.0200.35	Albero ecc. C.6 - 15	1
	51.0204.35	Albero ecc. C.9.4 - 19 21 22	
	51.0217.35	Albero ecc. C.7.2 - 10/100	
16	97.7310.00	Spinotto D. 8x24.5	3
17	91.4877.00	Linguetta 8x7x25 UNI 6604	1
18	98.2103.00	Tappo carico olio G 3/8"	1
19	99.1897.00	Vite M6x25 UNI 5931	4
20	96.6938.00	Rosetta D. 6.4x10.0x0.7	20
21	91.8328.00	Cuscinetto a sfere	1
22	90.0635.00	Anello d'arresto A25 UNI 7435	1
23	90.1634.00	Anello rad. D. 25.0x42.0x7.0	1
24	90.4097.00	OR D. 55.56x3.53 NBR SH. 70 159	1
25	50.2115.51	Distanziale	1
26	50.1500.74	Coperchio laterale carter	1
27	99.1807.00	Vite M6x10 UNI 5739	4
	41.3403.02	Rotore comp. 1.5 CV - 15	
	41.3407.02	Rotore comp. 1.5 CV - 19 21	
	41.3406.02	Rotore comp. 2.5 CV - 10/100	
28	41.3408.02	Rotore comp. 2.0 CV - 22	1

KIT RICAMBI - SPARE KITS

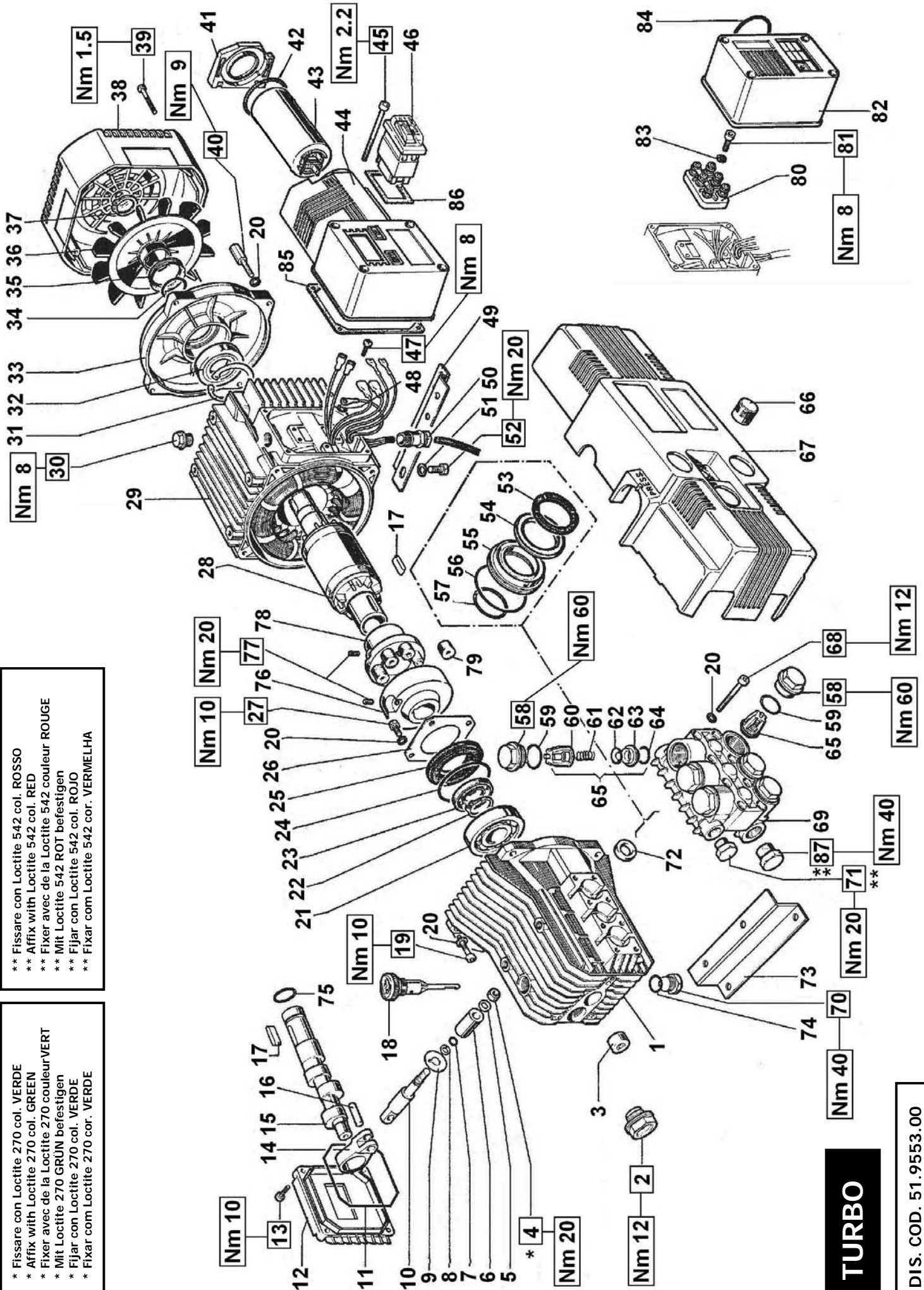
KIT Nr.	KIT 1	KIT 83	KIT 84	KIT 86	KIT 96	KIT 97
Posizioni incluse Positions included	60 - 61 62 - 63 64 (65)	72	58 - 59 57	55 - 56 57	53 - 54 55 - 56 57	53 - 54 56 - 57
Nr. Pcs.	6	3	6	3	1	3

POS	COD.	DESCRIZIONE - DESCRIPTION - KIT	NR
29	41.3221.02	Statore comp. 1.5 CV - 21	1
	41.3222.02	Statore comp. 1.5 CV - 19	
	41.3224.02	Statore comp. 1.5 CV - 15	
	41.3226.02	Statore comp. 2.0 CV - 22	
	41.3227.02	Statore comp. 2.5 CV 220 - 10/100	
	41.3229.02	Statore comp. 2.5 CV 240 - 10/100	
30	98.2093.00	Tappo G 3/8"	1
31	90.0795.00	Anello d'arresto A52 UNI 7437	1
32	91.8323.00	Cuscinetto a sfere	1
33	41.0700.22	Scudo posteriore	1
34	90.3857.00	OR D. 23.81x2.62 NBR SH. 70 1132	1
35	90.1652.00	Anello V-SEAL	1
36	41.0300.51	Ventola	1
37	90.0628.00	Anello d'arresto A24 UNI 7435	1
38	41.0400.51	Copriventola	1
39	99.1658.00	Vite M5x45 UNI 7687	4
40	41.2104.65	Vite fissaggio scudo posteriore	4
41	41.2120.51	Coperchio copribasetta autoesting.	1
42	90.3885.00	OR D. 45.69x2.62 NBR SH. 70 3181	1
43	93.5688.00	Condensatore 80 µF - 15 19 21	1
	93.5658.00	Condensatore 50 µF - 10/100	
	93.5694.00	Condensatore 100 µF - 22	
44	41.2124.51	Copribasetta autoestingente	1
45	99.1705.00	Vite M5x65 UNI 5931	4
46	93.5031.00	Interruttore - 15 19 21	1
	93.5027.00	Interruttore - 10/100	
	93.5070.00	Interruttore - 22	
47	99.1515.00	Vite M5x12 UNI 7387	1
48	96.6913.00	Rosetta D. 5.3x9.0x0.6	1
49	51.2003.74	Piedino motore	1
50	93.5210.00	Pressacavo G 3/8"x D. 10	1
51	96.7014.00	Rosetta D. 8.4x13.0x0.8	4

POS	COD.	DESCRIZIONE - DESCRIPTION - KIT	NR
52	99.3037.00	Vite M8x16 UNI 5739	4
53	51.1000.51	Anello di testa D.15	96-97
54	90.2620.00	Anello ten.alt. D.15x25x5/3.1 HP	96-97
55	51.0800.70	Anello di fondo D. 15	86-96
56	90.3604.00	OR D. 25.12x1.78 NBR SH. 70 2100	86-96-97
57	90.3835.00	OR D. 15.08x2.62 NBR SH. 70 119	86-96-97
58	98.2218.00	Tappo M24x1.5	84
59	90.3847.00	OR D. 20.24x2.62 NBR SH. 70 3081	84
60	36.2002.51	Guida Valvola	1
61	94.7376.00	Molla Dm. 9.4x14.8	1
62	36.2001.76	Valvola	1
63	36.2003.66	Sede valvola	1
64	90.3841.00	OR D. 17.13x2.62 NBR SH. 70 3068	1
65	36.7032.01	Gr. valvola aspiraz./mandata	1
66	52.2122.51	Pomolo	1
67	51.2103.51	Carter di protezione	1
68	99.1943.00	Vite M6x40 UNI 5931	8
69	51.1200.22	Testata D. 15 - NK	1
	51.1200.41	Testata D. 15	
70	98.2100.50	Tappo G 3/8"x13 TE22 - Zinc.	1
71	98.2041.00	Tappo G 1/4"x9	1
72	90.1565.00	Anello radiale D. 15.0x24.0x5.0	83
73	51.2002.74	Piedino pompa	1
74	90.3833.00	OR D. 13.95x2.62 NBR SH. 70 3056	1
80	93.5745.00	Basetta	1
81	99.1537.00	Vite M5x12 UNI 5931	2
82	41.2122.51	Copribasetta - versione senza interrutt.	1
83	96.6910.00	Rosetta D. 5.3x9x0.6	2
84	90.3889.00	OR D. 48.89x2.62 NBR SH. 70 3193	1
85	41.2101.47	Guarnizione copribasetta	1
86	41.2126.84	Guarnizione interruttore	1
87	98.2100.00	Tappo G 3/8"x13	1

* Fissare con Loctite 270 col. VERDE
 * Affix with Loctite 270 col. GREEN
 * Fixer avec de la Loctite 270 couleur VERT
 * Mit Loctite 270 GRÜN befestigen
 * Fijar con Loctite 270 col. VERDE
 * Fixar com Loctite 270 cor. VERDE

** Fissare con Loctite 542 col. ROSSO
 ** Affix with Loctite 542 col. RED
 ** Fixer avec de la Loctite 542 couleur ROUGE
 ** Mit Loctite 542 ROT befestigen
 ** Fijar con Loctite 542 col. ROJO
 ** Fixar com Loctite 542 cor. VERMELHA



TURBO

DIS. COD. 51.9553.00



TURBO 8/90 - TURBO 11/70

POS	COD.	DESCRIZIONE - DESCRIPTION - KIT	NR
1	51.0100.22	Carter pompa	1
2	97.5968.00	Spia livello olio G 3/4"	1
3	91.8014.00	Boccola a rullini	1
4	92.2216.00	Dado M8x13x5	3
5	44.2115.70	Rosetta D. 8 con collare	3
6	51.0400.09	Pistone D. 15x25	3
7	90.3572.00	OR D. 5.28x1.78 NBR SH. 70 2021	3
8	90.5022.00	Anello antiest. D. 6.2x9.0x1.5	3
9	96.7070.00	Rosetta D. 9x23.0x0.5	3
10	51.0500.56	Guida pistone	3
11	90.3917.00	OR D. 88.57x2.62 NBR SH. 70 3350	1
12	51.1600.22	Coperchio posteriore carter	1
13	99.1867.00	Vite M6x18 UNI 5931	4
14	51.0300.22	Biella	3
15	51.0202.35 51.0205.35	Albero ecc. C.8 - 11/70 Albero ecc. C.6 - 8/90	1
16	97.7310.00	Spinotto D. 8.0x24.5	3
17	91.4874.00	Linguetta 8x7x25 UNI 6604	2
18	98.2103.00	Tappo carico olio G 3/8"	1
19	99.1897.00	Vite M6x25 UNI 5931	4
20	96.6938.00	Rosetta D. 6.4x10.0x0.7	20
21	91.8328.00	Cuscinetto a sfere	1
22	90.0635.00	Anello d'arresto A25 UNI 7435	1
23	90.1634.00	Anello rad. D. 25.0x42.0x7.0	1
24	90.4097.00	OR D. 55.56x3.53 NBR SH. 70 159	1
25	50.2115.51	Distanziale	1
26	50.1500.74	Coperchio laterale carter	1
27	99.1807.00	Vite M6x10 UNI 5739	4
28	41.3405.02	Rotore comp. 2 CV - Mon.	1

KIT RICAMBI - SPARE KITS

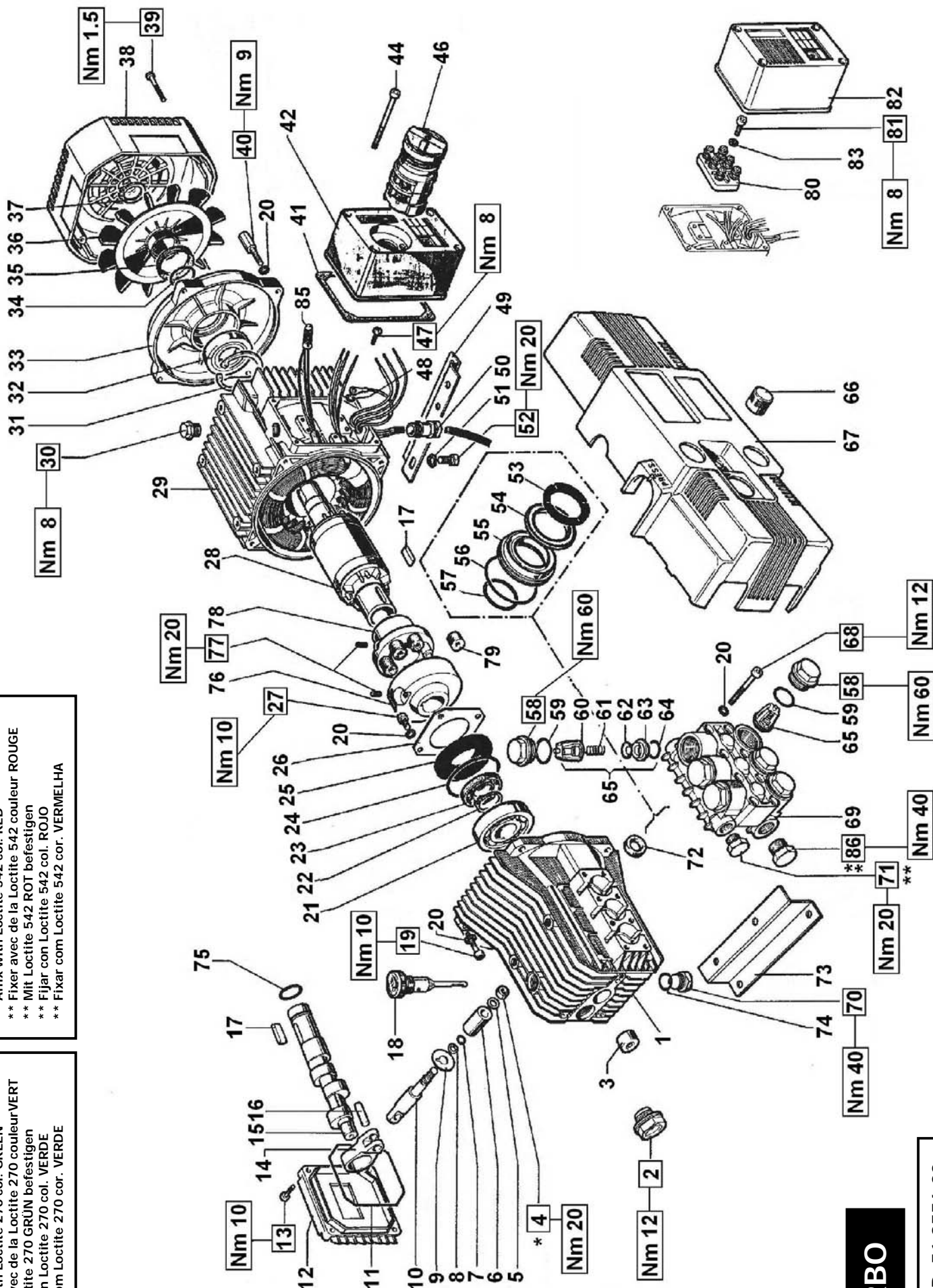
KIT Nr.	KIT 1	KIT 83	KIT 84	KIT 86	KIT 96	KIT 97
Posizioni incluse Positions included	60 - 61 62 - 63 64 (65)	72	58 - 59 57	55 - 56 57	53 - 54 55 - 56 57	53 - 54 56 - 57
Nr. Pcs.	6	3	6	3	1	3

POS	COD.	DESCRIZIONE - DESCRIPTION - KIT	NR
29	41.3206.02 41.3210.02	Statore comp. 2 CV - Mon. - 220 V Statore comp. 2 CV - Mon. - 240 V	1
30	98.2093.00	Tappo G 3/8"	1
31	90.0795.00	Anello d'arresto A52 UNI 7437	1
32	91.8323.00	Cuscinetto a sfere	1
33	41.0700.22	Scudo posteriore	1
34	90.3857.00	OR D. 23.81x2.62 NBR SH. 70 1132	1
35	90.1652.00	Anello V-SEAL	1
36	41.0300.51	Ventola	1
37	90.0628.00	Anello d'arresto A24 UNI 7435	1
38	41.0400.51	Copriventola	1
39	99.1658.00	Vite M5x45 UNI 7687	4
40	41.2104.65	Vite fissaggio scudo posteriore	4
41	41.2120.51	Coperchio copribasetta autoesting.	1
42	90.3885.00	OR D. 45.69x2.62 NBR SH. 70 3181	1
43	93.5658.00	Condensatore 50 µF	1
44	41.2124.51	Copribasetta autoestingente	1
45	99.1705.00	Vite M5x65 UNI 5931	4
46	93.5026.00	Interruttore	1
47	99.1515.00	Vite M5x12 UNI 7387	1
48	96.6913.00	Rosetta D. 5.3x9.0x0.6	1
49	51.2003.74	Piedino motore	1
50	93.5210.00	Pressacavo G 3/8" x D. 10	1
51	96.7014.00	Rosetta D. 8.4x13.0x0.8	4
52	99.3037.00	Vite M8x16 UNI 5739	4
53	51.1000.51	Anello di testa D. 15	96-97
54	90.2620.00	Anello ten. alt. D. 15x25x5/3.1 HP	96-97
55	51.0800.70	Anello di fondo D. 15	86-96

POS	COD.	DESCRIZIONE - DESCRIPTION - KIT	NR
56	90.3604.00	OR D. 25.12x1.78 NBR SH. 70 2100 86-96-97	3
57	90.3835.00	OR D. 15.08x2.62 NBR SH. 70 119 86-96-97	3
58	98.2218.00	Tappo M24x1.5	84
59	90.3847.00	OR D. 20.24x2.62 NBR SH. 70 3081	84
60	36.2002.51	Guida Valvola	1
61	94.7376.00	Molla Dm. 9.4x14.8	1
62	36.2001.76	Valvola	1
63	36.2003.66	Sede valvola	1
64	90.3841.00	OR D. 17.13x2.62 NBR SH. 70 3068	1
65	36.7032.01	Gruppo valvola aspiraz./mandata	1
66	52.2122.51	Pomolo	1
67	51.2103.51	Carter di protezione	1
68	99.1943.00	Vite M6x40 UNI 5931	8
69	51.1200.22 51.1202.22 51.1200.41	Testata pompa D. 15 - NK Testata pompa D. 15 - 8/90 Testata pompa D. 15 - 11/70	1
70	98.2100.50	Tappo G 3/8" x13 TE22 - Zinc.	1
71	98.2041.00	Tappo G 1/4" x9	1
72	90.1565.00	Anello radiale D. 15.0x24.0x5.0	83
73	51.2002.74	Piedino pompa	1
74	90.3833.00	OR D. 13.95x2.62 NBR SH. 70 3056	1
75	90.3845.00	OR D. 13.95x2.62 NBR SH. 70 3075	1
76	10.0277.22	Semigiunto pompa	1
77	99.3017.00	Vite M8x10 UNI 5929	2
78	10.0278.22	Semigiunto motore	1
79	10.0090.47	Boccola	6
80	93.5745.00	Basetta	1
81	99.1537.00	Vite M5x12 UNI 5931	2
82	41.2122.51	Copribasetta - versione senza interrutt.	1
83	96.6910.00	Rosetta D. 5.3x9.0x0.6	2
84	90.3889.00	OR D. 48.89x2.62 NBR SH. 70 3193	1
85	41.2101.47	Guarnizione per copribasetta	1
86	41.2126.84	Guarnizione interruttore	1
87	98.2100.00	Tappo G 3/8	1

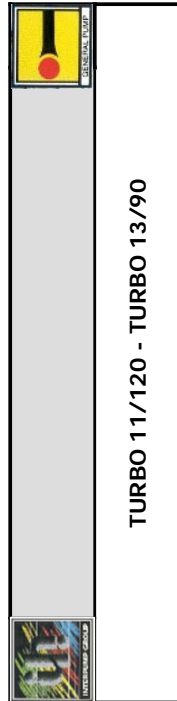
* Fissare con Loctite 270 col. VERDE
 * Affix with Loctite 270 col. GREEN
 * Fixer avec de la Loctite 270 couleur VERT
 * Mit Loctite 270 GRÜN befestigen
 * Fijar con Loctite 270 col. VERDE
 * Fixar com Loctite 270 cor. VERDE

** Fissare con Loctite 542 col. ROSSO
 ** Affix with Loctite 542 col. RED
 ** Fixer avec de la Loctite 542 couleur ROUGE
 ** Mit Loctite 542 ROT befestigen
 ** Fijar con Loctite 542 col. ROJO
 ** Fixar com Loctite 542 cor. VERMELHA



TURBO

DIS. COD. 51.9556.00



TURBO 11/120 - TURBO 13/90

POS	COD.	DESCRIZIONE - DESCRIPTION - KIT	NR
1	51.0100.22	Carter pompa	1
2	97.5968.00	Spia livello olio G 3/4"	1
3	91.8014.00	Boccola a rullini	1
4	92.2216.00	Dado M8x13x5	3
5	44.2115.70	Rosetta D. 8 con collare	3
6	51.0400.09	Pistone D. 15x25	3
7	90.3572.00	OR D. 5.28x1.78 NBR SH. 70 2021	3
8	90.5022.00	Anello antiest. D. 6.2x9.0x1.5	3
9	96.7070.00	Rosetta D. 9.0x23.0x0.5	3
10	51.0500.56	Guida pistone	3
11	90.3917.00	OR D. 88.57x2.62 NBR SH. 70 3350	1
12	51.1600.22	Coperchio posteriore carter	1
13	99.1867.00	Vite M6x18 UNI 5931	4
14	51.0300.22	Biella	3
15	51.0202.35 51.0203.35	Albero ecc. C.8 - 11/120 Albero ecc. C.9.4 - 13/90	1
16	97.7310.00	Spinotto D. 8x24.5	3
17	91.4874.00	Linguetta 8x7x25 UNI 6604	2
18	98.2103.00	Tappo carico olio G 3/8"	1
19	99.1897.00	Vite M6x25 UNI 5931	4
20	96.6938.00	Rosetta D. 6.4x10.0x0.7	20
21	91.8328.00	Cuscinetto a sfere	1
22	90.0635.00	Anello D. 25 UNI 7435	1
23	90.1634.00	Anello rad. D. 25.0x42.0x7.0	1
24	90.4097.00	OR D. 55.56x3.53 NBR SH. 70 159	1
25	50.2115.51	Distanziale	1
26	50.1500.74	Coperchio laterale carter	1
27	99.1807.00	Vite M6x10 UNI 5739	4

KIT RICAMBI - SPARE KITS

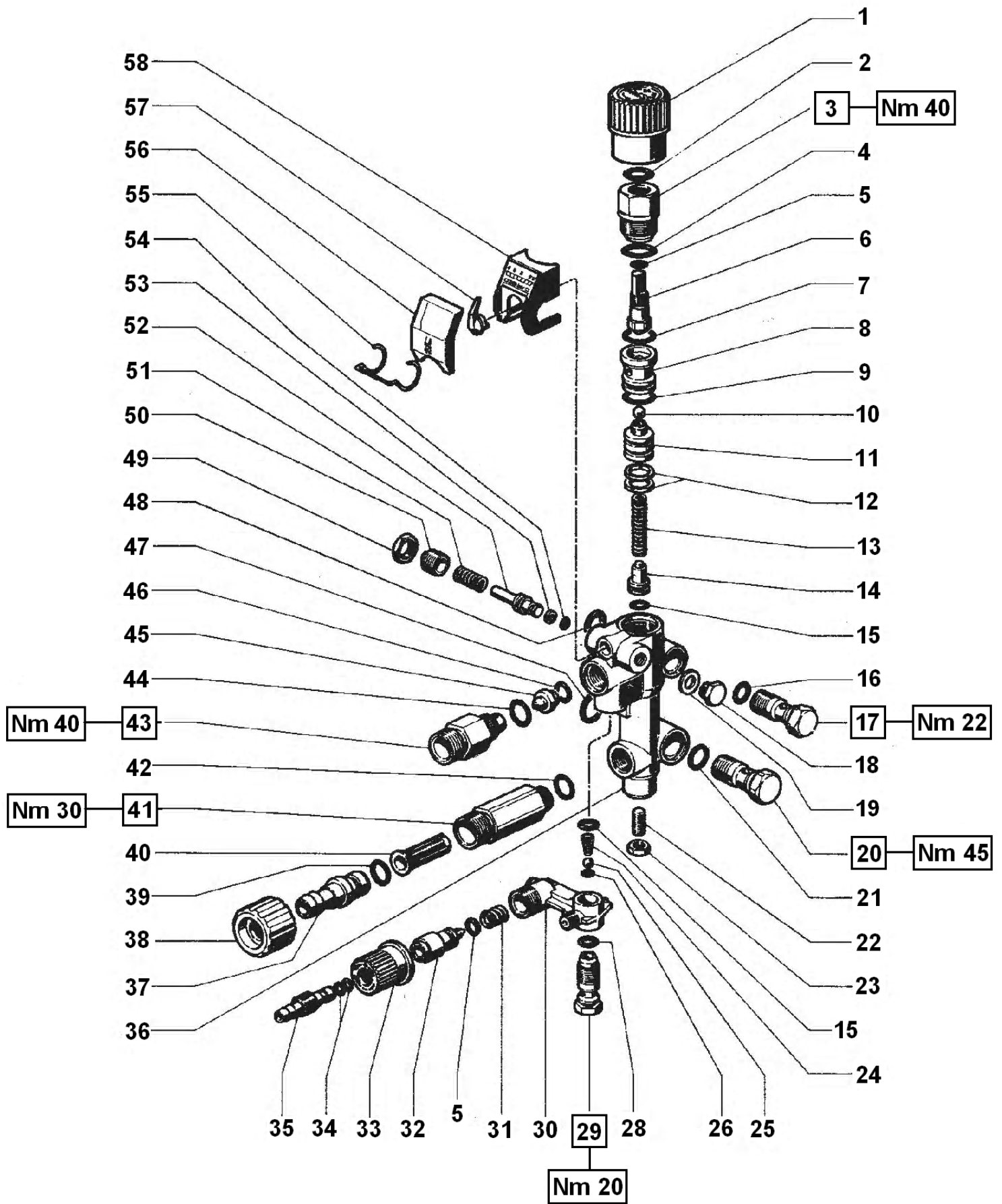
KIT Nr.	KIT 1	KIT 83	KIT 84	KIT 86	KIT 96	KIT 97
Posizioni include Positions included	60 - 61 62 - 63 64 (65)	72	58 - 59 57	55 - 56 57	53 - 54 55 - 56 57	53 - 54 56 - 57
Nr. Pcs.	6	3	6	3	1	3

POS	COD.	DESCRIZIONE - DESCRIPTION - KIT	NR
28	41.3404.02	Rotore comp. 3 CV - Trif.	1
29	41.3204.02	Statore comp. 3 CV - Trif.	1
30	98.2093.00	Tappo G 3/8"	1
31	90.0795.00	Anello d'arresto A52 UNI 7437	1
32	91.8323.00	Cuscinetto a sfere	1
33	41.0700.22	Scudo posteriore	1
34	90.3857.00	OR D. 23.81x2.62 NBR SH. 70 132	1
35	90.1652.00	Anello V-SEAL	1
36	41.0300.51	Ventola	1
37	90.0628.00	Anello d'arresto A24 UNI 7435	1
38	41.0400.51	Copriventola	1
39	99.1658.00	Vite M5x45 UNI 7687	4
40	41.2104.65	Vite fissaggio scudo posteriore	4
41	41.2101.47	Guarnizione copribasetta	1
42	41.2123.51	Copribasetta	1
44	99.1507.00	Vite M5x12 UNI 7687	4
46	93.5037.00	Interruttore	1
47	99.1515.00	Vite M5x12 UNI 7387	1
48	96.6913.00	Rosetta D. 5.3x9.0x0.6	1
49	51.2003.74	Piedino motore	1
50	93.5210.00	Pressacavo G 3/8"x D. 10	1
51	96.7014.00	Rosetta D. 8.4x13x0.8	4
52	99.3037.00	Vite M8x16 UNI 5739	4
53	51.1000.51	Anello di testa D.15	96-97
54	90.2620.00	Anello ten. alt. D. 15x25x5/3.1 HP	96-97
55	51.0800.70	Anello di fondo D. 15	86-96

POS	COD.	DESCRIZIONE - DESCRIPTION - KIT	NR
56	90.3604.00	OR D. 25.12x1.78 NBR SH. 70 2100 86-96-97	3
57	90.3835.00	OR D. 15.08x2.62 NBR SH. 70 119 86-96-97	3
58	98.2218.00	Tappo M24x1.5	84
59	90.3847.00	OR D. 20.24x2.62 NBR SH. 70 3081 84	6
60	36.2002.51	Guida Valvola	1
61	94.7376.00	Molla Dm. 9.4x14.8	1
62	36.2001.76	Valvola	1
63	36.2003.66	Sede valvola	1
64	90.3841.00	OR D. 17.13x2.62 NBR SH. 70 3068	1
65	36.7032.01	Gr. valvola aspiraz./mandata	1
66	52.2122.51	Pomolo	1
67	51.2103.51	Carter di protezione	1
68	99.1943.00	Vite M6x40 UNI 5931	8
69	51.1200.41	Testata pompa D. 15	1
70	98.2100.50	Tappo G 3/8"x13 TE22 - Zinc.	1
71	98.2041.00	Tappo G 1/4"x9	1
72	90.1565.00	Anello radiale D. 15.0x24.0x5.0	83
73	51.2002.74	Piedino pompa	1
74	90.3833.00	OR D. 13.95x2.62 NBR SH. 70 3056	1
75	90.3845.00	OR D. 13.95x2.62 NBR SH. 70 3075	1
76	10.0277.22	Semigiunto pompa	1
77	99.3017.00	Vite M8x10 UNI 5929	2
78	10.0278.22	Semigiunto motore	1
79	10.0090.47	Boccola	6
80	93.5745.00	Basetta	1
81	99.1552.00	Vite M5x14 UNI 5931	2
82	41.2105.51	Copribasetta - versione senza interrutt.	1
83	96.6910.00	Rosetta D. 5.3x9.0x0.6	2
85	93.5790.00	Morsetto 380 V	1
86	98.2100.00	Tappo G 3/8"x13	1

KR1 - KR2 - KR90 - KR 92 - KR100

DIS. COD. 36.9500.00



KR

KR1	8/70 - 15 - 19 - 21
KR2	11/50 - 11/70
KR90	8/90 - 22
KR92	-
KR100	10/100 - 11/120

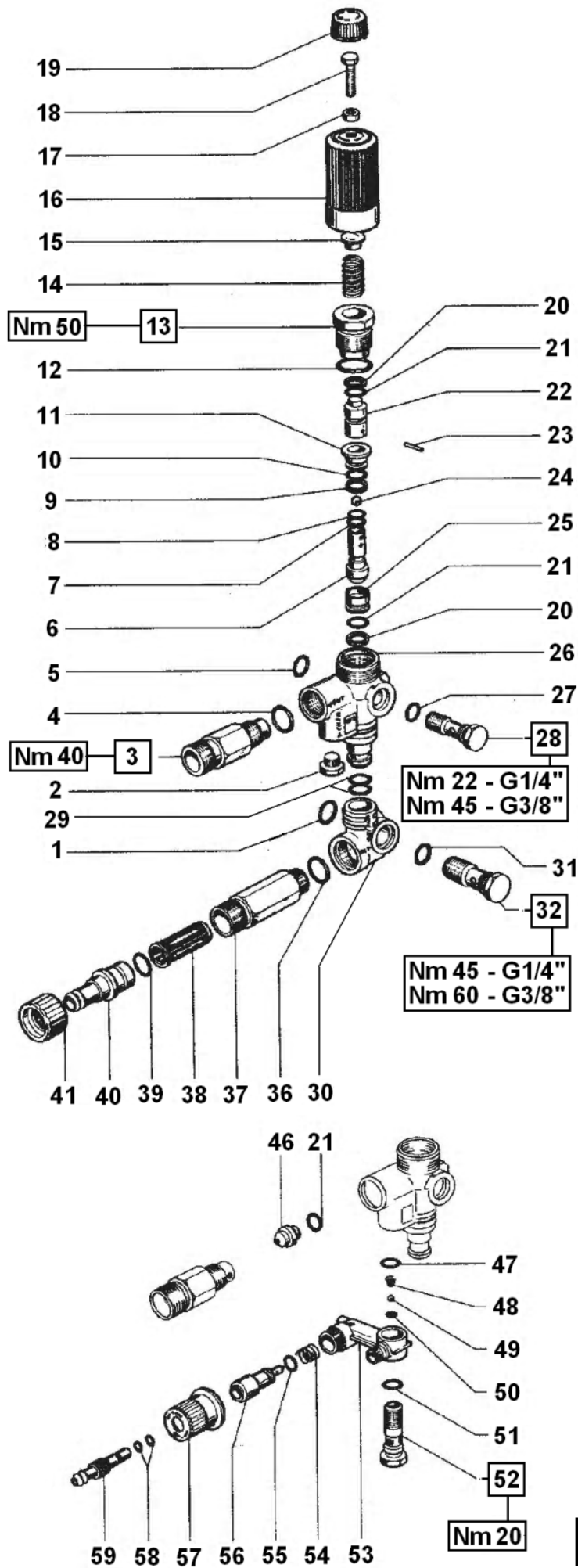
POS	COD.	DESCRIPTION - DESCRIZIONE - KIT	NR
1	36.2583.51	Pomolo di regolazione pressione	1
2	90.3835.00	OR D. 15.08x2.62 NBR SH. 70 119 95-99	1
3	36.2556.70	Tappo	1
4	90.3847.00	OR D. 20.24x2.62 NBR SH. 70 308195-99	1
5	90.3580.00	OR D. 8.73x1.78 NBR SH. 70 108 94-95-99	2
6	36.2574.02	Assieme otturatore	1
7	90.3598.00	OR D. 20.35x1.78 NBR SH. 70 2081 95-99	1
8	36.2554.66	Sede valvola 95-99	1
9	90.3596.00	OR D. 18.77x1.78 NBR SH. 70 2075 95-99	1
10	97.4802.00	Sfera D. 9/32" 95-99	1
11	***	Vedi tabella A - See table A	-
12	90.5080.00	Anello antiest. D. 13.5x18.0x2.0 95-99	2
13	94.7344.00	Molla Dm. 7.5x40.0 95-99	1
14	36.2552.70	Piattello molla	1
15	90.3582.00	OR D. 9.25x1.78 NBR SH. 70 2037 94-95-99	1
16	90.3820.00	OR D. 9.13x2.62 NBR SH. 70 109 95-99	1
17	36.2567.70	Vite fissaggio valvola G 1/4"	1
18	90.3827.00	Tappo G 1/8"x8	1
19	96.7100.00	Rosetta D. 10.0x14.0x1.5	1
20	36.2568.70	Vite fissaggio valvola G 3/8"	1
21	90.3827.00	OR D. 11.91x2.62 NBR SH. 70 115 95-99	1
22	99.3054.00	Vite M8x20 UNI 5923	1
23	92.2218.00	Dado M8x5x13	1
24	94.8217.00	Molla conica D. 4.3/7.3x11.0 94	1
25	97.4782.00	Sfera D. 7/32" 94	1
26	90.3572.00	OR D. 5.25x1.78 NBR SH. 70 2021 94	1
28	90.3585.00	OR D. 10.82x1.78 NBR SH. 70 2043 94	1
29	36.2563.70	Sede valvola	1
30	36.2562.51	Corpo dosatore	1
31	94.7383.00	Molla Dm. 9.75x10.0 94	1
32	36.2564.70	Otturatore	1
33	36.2565.51	Pomolo di regolazione detergente	1
34	90.3570.00	OR D. 4.48x1.78 NBR SH. 70 2018 94	2
35	36.2566.70	Innesto portagomma	1

KIT NR.	KIT 94 KR1 - KR2 KR90 - KR92 KR100	KIT 95 KR1 - KR2	KIT 99 KR90 - KR92 KR100
Posizioni Incluse Positions Included	5 - 15 - 24 25 - 26 - 28 31 - 34 - 44 46	2 - 4 - 5 - 7 - 8 9 - 10 - 12 - 13 15 - 16 - 21 39 - 42 - 47 48 - 53 - 54	2 - 4 - 5 - 7 - 8 9 - 10 - 12 - 13 15 - 16 - 21 39 - 42 - 47 48 - 53 - 54
Nr. Pcs.	1	1	1

POS	COD.	DESCRIPTION - DESCRIZIONE - KIT	NR
36	36.2582.41 36.2588.41	Corpo valvola - KR1 KR2 Corpo valvola - KR90 KR92 KR100	1
37	36.2569.70	Portagomma aspirazione	1
38	10.0119.02	Ghiera	1
39	90.3828.00	OR D. 12.37x2.62 NBR SH. 70 3050 95-99	1
40	92.8925.00	Filtro D. 12x35	1
41	36.2560.70 36.2584.70	Nipplo aspirazione M22x1.5 Nipplo aspirazione G 1/2" NPT	1
42	90.3591.00	OR D. 14x1.78 NBR SH. 70 2056 95-99	1
43	10.0147.70 10.0318.70	Nipplo M22x1.5 con D. 3 Nipplo 3/8" NPT con D. 3	1
44	90.3832.00	OR D. 13.95x2.62 NBR SH. 70 3056 94	1
45	***	Vedi tabella A - See table A	1
46	90.3822.00	OR D. 9.92x2.62 NBR SH. 70 112 94	1
47	90.3839.00	OR D. 15.88x2.62 NBR SH. 70 121 95-99	1
48	90.3833.00	OR D. 13.95x2.62 NBR SH. 70 3056 95-99	1
49	92.2492.00	Dado M14x17x3	1
50	36.2580.70	Vite di regolazione manometro	1
51	94.7338.00	Molla Dm. 7.2x18.0	1
52	36.2579.70 36.2589.70	Pistoncino manometro - KR1 KR2 Pistoncino manometro - KR90 KR92 KR100	1
53	90.5007.00 90.5004.00	Anello antiest. D. 4.0x6.8x1.5 KR1 KR2 Anello antiest. D. 3.2x6.0x1.5 KR90 KR92 KR100	95 99 1
54	90.3568.00 90.3567.00	OR D. 3.69x1.78 NBR SH. 70 2015 KR1 KR2 OR D. 2.9x1.78 NBR SH. 70 2012 KR90 KR92 KR100	95 99 1
55	94.8718.00	Molla di torsione D. 18	1
56	36.2577.51	Coperchio manometro	1
57	36.2578.51	Indicatore manometro	1
58	36.2586.01 36.2590.01	Quadrante manometro - KR1 KR2 Quadrante manometro - KR90 KR92 KR100	1

*** TABELLA A - TABLE A				
KR1 KR90	11	36.2572.70	Pistoncino D. 2.25	1
	45	10.0307.51	Ugello D. 1.8	1
KR2 KR92	11	36.2553.70	Pistoncino D. 2.8	1
	45	10.0151.66	Ugello D. 2	1
KR100	11	36.2595.70	Pistoncino D. 2.5	1
	45	10.0151.66	Ugello D. 2	1

CONTROL SET W1



DIS. COD. 36.9501.00

CONTROL SET W1

POS	COD.	DESCRIPTION – DESCRIZIONE - KIT	NR
1	90.3839.00	OR D. 15.88x2.62 NBR SH. 70 121	1
2	98.2057.00	Tappo M14x1.5	1
3	10.0147.70 10.0078.70 10.0318.70	Nipplo M22x1.5 con D. 3 Nipplo G 3/8" con D. 3 Nipplo G 3/8" NPT con D. 3	1
4	90.3832.00	OR D. 13.95x2.62 NBR SH. 70 3056 94	1
5	90.3833.00	OR D. 13.95x2.62 NBR SH. 70 3056	1
6	36.3167.66	Valvola 98	1
7	90.5025.00	Anello antiest. D. 7.0x10.0x1.5 98	1
8	90.3575.00	OR D. 6.75x1.78 NBR SH. 70 106 98	1
9	90.5075.00	Anello antiest. D. 13.0x16.0x1.5 98	1
10	90.3589.00	OR D. 12.42x1.78 NBR SH. 70 2050 98	1
11	36.3165.70	Guida valvola 98	1
12	90.3847.00	OR D. 20.24x2.62 NBR SH. 70 3081 98	1
13	36.3166.70	Boccola di guida 98	1
14	94.7436.00	Molla Dm. 15.0x35.0	1
15	36.3169.70	Piattello molla	1
16	36.3171.02	Pomolo di regolazione	1
17	92.2200.00	Dado M8x5x13	1
18	99.3052.00	Vite M8x1x20	1
19	36.3172.51	Cappello	1
20	90.5065.00	Anello antiest. D. 51.7x56.2x1.5 98	2
21	90.3822.00	OR D. 9.92x2.62 NBR SH. 70 112 94-98	3
22	36.3168.66	Pistoncino di comando 98	1
23	97.6132.00	Spina D. 3x14.5 98	1
24	97.4800.00	Sfera D. 9/32" 98	1
25	36.3164.66	Sede valvola 98	1
26	36.3163.01	Corpo valvola	1
27	90.3820.00	OR D. 9.13x2.62 NBR SH. 70 109	1
28	36.2567.70	Vite fissaggio valvola G 1/4"	1
29	90.3825.00	OR D. 10.78x2.62 NBR SH. 70 3043	2
30	36.3152.22	Raccordo aspirazione	1
31	90.3827.00	OR D. 11.91x2.62 NBR SH. 70 115	1
32	36.2568.70	Vite fissaggio valvola G 3/8"	1
36	90.3591.00	OR D. 14x1.78 NBR SH. 70 2056	1
37	36.2560.70 36.2584.70	Nipplo aspirazione M22x1.5 Nipplo aspirazione G 1/2" NPT	1
38	92.8925.00	Filtro 12x35	1
39	90.3828.00	OR D. 12.37x2.62 NBR SH. 70 3050	1
40	36.2569.70	Portagomma aspirazione	1

KIT NR.	KIT 94	KIT 98
Posizioni Include Positions Included	4 - 21 - 47 - 48 49 - 50 - 51 - 54 55 - 58	6 - 7 - 8 - 9 - 10 - 11 12 - 13 - 20 - 21 - 22 23 - 24 - 25
Nr. Pcs.	1	1

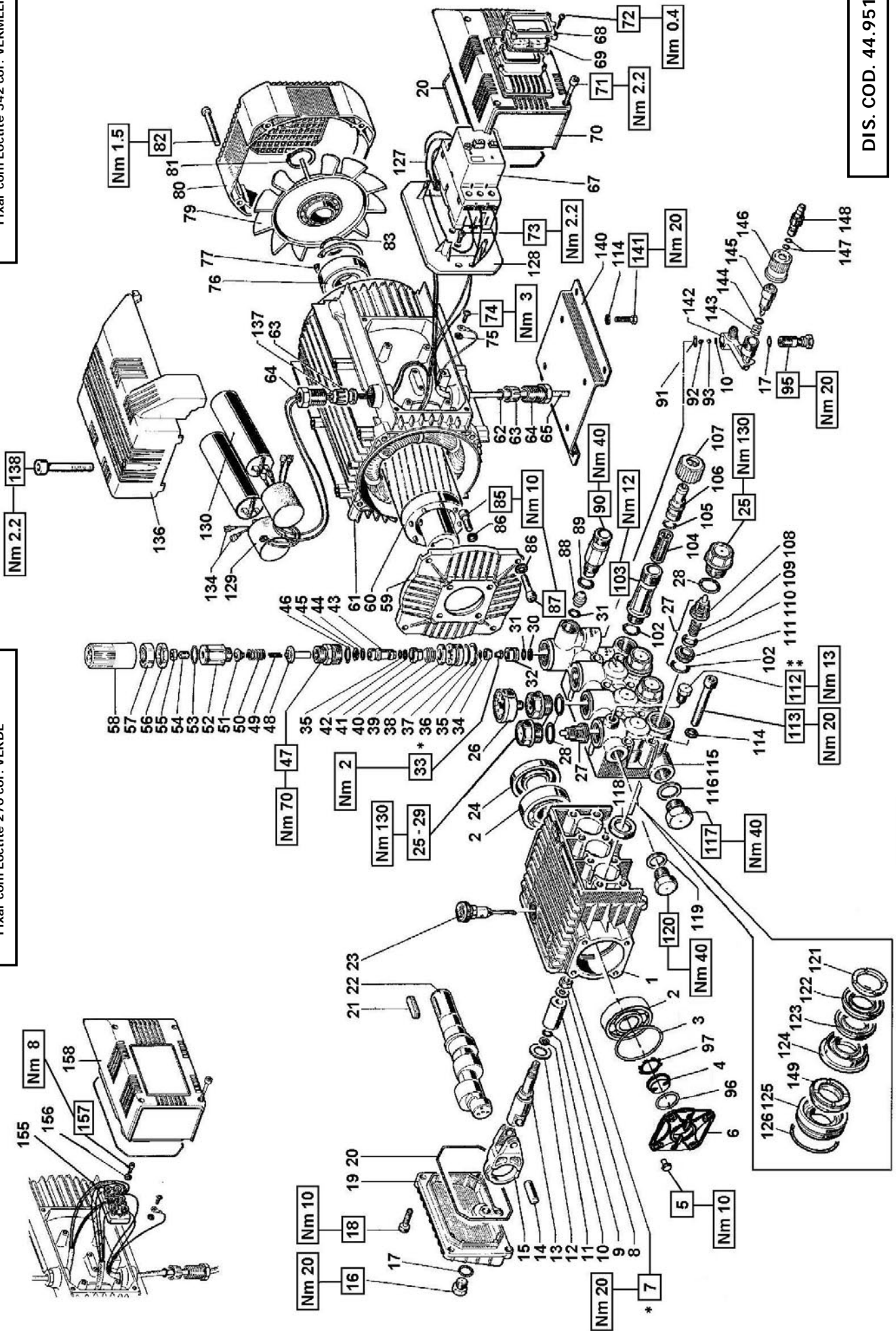
POS	COD.	DESCRIPTION – DESCRIZIONE - KIT	NR
41	10.0119.02	Ghiera	1
46	***	Vedere tabella A - See table A	-
47	90.3582.00	OR D. 9.25x1.78 NBR SH. 70 2037 94	1
48	94.8217.00	Molla conica D. 4.3/7.3x11 94	1
49	97.4782.00	Sfera D. 7/32" 94	1
50	90.3572.00	OR D. 5.28x1.78 NBR SH. 70 2021 94	1
51	90.3585.00	OR D. 10.82x1.78 NBR SH. 70 2043 94	1
52	36.2563.70	Sede valvola	1
53	36.2562.51	Corpo dosatore	1
54	94.7383.00	Molla Dm. 9.75x10.0 94	1
55	90.3580.00	OR D. 8.73x1.78 NBR SH. 70 108 94	1
56	36.2564.70	Otturatore	1
57	36.2565.51	Pomolo regolazione detergente	1
58	90.3570.00	OR D. 4.48x1.78 NBR SH. 70 2018 94	1
59	36.2566.70	Innesto portagomma	1

*** TABELLA A – TABLE A

POS	COD.	DESCRIPTION – DESCRIZIONE - KIT	NR
46	10.0151.66	Type 0 = (8÷11 l/min.) Ugello – Nozzle D. 2	1
	10.0076.66	Type 1 = (12÷15 l/min.) Ugello – Nozzle D. 2.2	

** Fissare con Loctite 542 col. ROSSO
 ** Affix with Loctite 542 col. RED
 ** Fixer avec de la Loctite 542 couleur ROUGE
 ** Mit Loctite 542 ROT befestigen
 ** Fijar con Loctite 542 col. ROJO
 ** Fixar com Loctite 542 cor. VERMELHA

* Fissare con Loctite 270 col. VERDE
 * Affix with Loctite 270 col. GREEN
 * Fixer avec de la Loctite 270 couleur VERT
 * Mit Loctite 270 GRÜN befestigen
 * Fijar con Loctite 270 col. VERDE
 * Fixar com Loctite 270 cor. VERDE



DIS. COD. 44.9517.00

KIT RICAMBI – SPARE KITS

KIT RICAMBI – SPARE KITS										PISTONE - PISTON D. 15						PISTONE - PISTON D. 18					
KIT Nr.	KIT 23	KIT 94	KIT 123	KIT 124	KIT 137	KIT 88	KIT 89	KIT 90	KIT 125	KIT 130	KIT 126	KIT 127	KIT 128	KIT 129	KIT 131						
Posizioni incluse Positions included	118	10 - 17 - 31 89 - 91 - 92 93 - 143 144 - 147	102 - 108 109 - 110 111 (27)	25 - 28	30 - 31 - 32 - 33 34 - 35 - 36 - 37 38 - 39 - 40 - 41 42 - 43 - 44 - 45	122 - 123 149	124	121	125 - 126	121 - 122 123 - 124 125 - 126 149	125 - 126 149	122 - 123 149	124	121	121 - 122 123 - 124 125 - 126 149						
Nr. Pcs.	3	1	6	6	1	3	3	6	3	1	3	3	3	6	1						



**M10-130 - M12-100
M951 - M954 - M957**

PISTOND. 15	
M10-130 M951	
PISTON D. 18	
M12-100 M954 M957	

POS	COD.	DESCRIZIONE – DESCRIPTION - KIT	NR
21	91.4892.00	Linguetta 8x7x35 UNI 6604	1
22	44.0206.35 44.0203.35	Albero ecc. C.13 - M10-130 M951 M957 Albero ecc. C.11 - M12-100 M954	1
23	98.2103.00	Tappo carico olio G 3/8"	1
24	90.1641.00	Anello rad. D. 25.0x62.0x10.0	1
25	98.2226.00	Tappo M24x1.5x17	124 5
26	94.5824.00	Manometro	1
27	36.7115.01	Gr. valvola aspiraz./mandata	123 6
28	90.3847.00	OR D.20.24x2.62 NBR SH. 90 3081 124	6
29	98.2227.00	Tappo M24x1.5 per manometro	1
30	90.5065.00	Anello antiest. D. 10.6x15.0x2.0	137 1
31	90.3822.00	OR D. 9.92x2.62 NBR SH. 70 112 94-137	2
32	36.3164.66	Sede valvola	137 1
33	99.1509.00	Vite M5x7.5	137 1
34	36.3190.66	Valvola sferica	137 1
35	90.3575.00	OR D. 6.72x1.78 NBR SH. 70 106 137	2
36	90.5144.00	Anello antiest. D. 22.0x25.0x1.5	137 1
37	90.3600.00	OR D.21.92x1.78 NBR SH. 70 2087 137	1
38	36.3229.70	Guida valvola	137 1
39	36.3231.51	Valvola	137 1
40	94.7485.00	Molla Dm. 18.5x11.5	137 1
41	36.3230.70	Distanziale	137 1
42	90.5025.00	Anello antiest. D. 7.0x10.0x1.5	137 1
43	36.3234.70	Pistoncino di comando	137 1
44	90.3820.00	OR D. 9.13x2.62 NBR SH. 70 109 137	1
45	90.5052.00	Anello antiest. D. 9.6x14.0x1.5	137 1
46	90.3857.00	OR D. 23.81x2.62 NBR SH. 70 132	1

POS	COD.	DESCRIZIONE – DESCRIPTION - KIT	NR
47	36.3228.70	Boccola di guida	1
48	36.3233.70	Plattello inferiore molla	1
49	94.7345.00	Molla Dm. 7.6x29.0	1
50	94.7436.00	Molla Dm. 15.0x35.0	1
51	36.3169.70	Plattello molla	1
52	36.3185.70	Registro pressione	1
53	90.3598.00	OR D. 20.35x1.78 NBR SH. 70 2081	1
54	99.3054.00	Vite M8x20 UNI 5923	1
55	92.2218.00	Dado M8x5x13 UNI 5589	1
56	92.2935.00	Dado M28x1.5	1
57	36.3186.70	Ghiera per registro pressione	1
58	36.3187.51	Pomolo regolazione valvola	1
59	10.0501.22	Flangia	1
60	43.3401.02	Rotore comp. 3 CV - Mon.	1
61	43.3201.02 43.3203.02 43.3208.02	Stat. comp. 3.0 CV - Mon. - 220V Stat. comp. 3.0 CV - Mon. - 230V 60 HZ Stat. comp. 3.0 CV - Mon. - 240V	1
62	90.4028.00	OR D. 9.12x3.53 NBR SH. 70 4036	1
63	43.2128.51	Pinza pressa cavo	2
64	43.2127.51	Pressa cavo	2
65	10.7269.01	Cavo 5.8 m.	1
67	93.5182.00	Interruttore magnetotermico	1
68	43.2120.51	Mascherina interruttore	1
69	43.2119.47	Membrana interruttore	1
70	43.2113.51	Copri basetta	1
71	99.1720.00	Vite M5x70 UNI 5931	4
72	99.0744.00	Vite D. 3x16 autofilettante	4

POS	COD.	DESCRIZIONE – DESCRIPTION - KIT	NR
1	44.0100.22	Carter pompa	1
2	91.8328.00	Cuscinetto a sfere	2
3	90.3898.00	OR D. 56.82x2.62 NBR SH. 70 3225	1
4	53.2108.51	Vetrino spia livello olio	1
5	99.1807.00	Vite M6x10 UNI 5739	4
6	53.1500.22	Coperchio laterale carter	1
7	92.2216.00	Dado M8x13x5	3
8	44.2115.70	Rosetta D. 8 con collare	3
9	52.0400.09 44.0401.09	Pistone D. 15x37.5 Pistone D. 18x37.5	3
10	90.3572.00	OR D. 5.28x1.78 NBR SH. 70 2021 94	4
11	90.5022.00	Anello antiest. D. 6.2x9.0x1.5	3
12	96.7350.00	Rosetta D. 16.0x28.0x1.0	3
13	44.0500.66	Guida pistone	3
14	97.7340.00	Spinotto D. 10x29.5	3
15	44.0300.22	Biella	3
16	98.2042.50	Tappo G 1/4"x9 TE17 - Zinc.	1
17	90.3585.00	OR D. 10.82x1.78 NBR SH. 70 2043 94	2
18	99.1837.00	Vite M6x14 UNI 5931	5
19	44.1600.22	Coperchio posteriore carter	1
20	90.3920.00	OR D. 101.27x2.62 NBR SH. 70 3400	2

KIT RICAMBI – SPARE KITS

KIT RICAMBI – SPARE KITS						PISTONE - PISTON D. 15						PISTONE - PISTON D. 18					
KIT Nr.	KIT 23	KIT 94	KIT 123	KIT 124	KIT 137	KIT 88	KIT 89	KIT 90	KIT 125	KIT 130	KIT 126	KIT 127	KIT 128	KIT 129	KIT 131		
Posizioni include Positions included	118	10 - 17 - 31 89 - 91 - 92 93 - 143 144 - 147	102 - 108 109 - 110 111 (27)	25 - 28	30 - 31 - 32 - 33 34 - 35 - 36 - 37 38 - 39 - 40 - 41 42 - 43 - 44 - 45	122 - 123 149	124	121	125 - 126	121 - 122 123 - 124 125 - 126 149	125 - 126	122 - 123 149	124	121	121 - 122 123 - 124 125 - 126 149		
Nr. Pcs.	3	1	6	6	1	3	3	6	3	1	3	3	3	6	1		



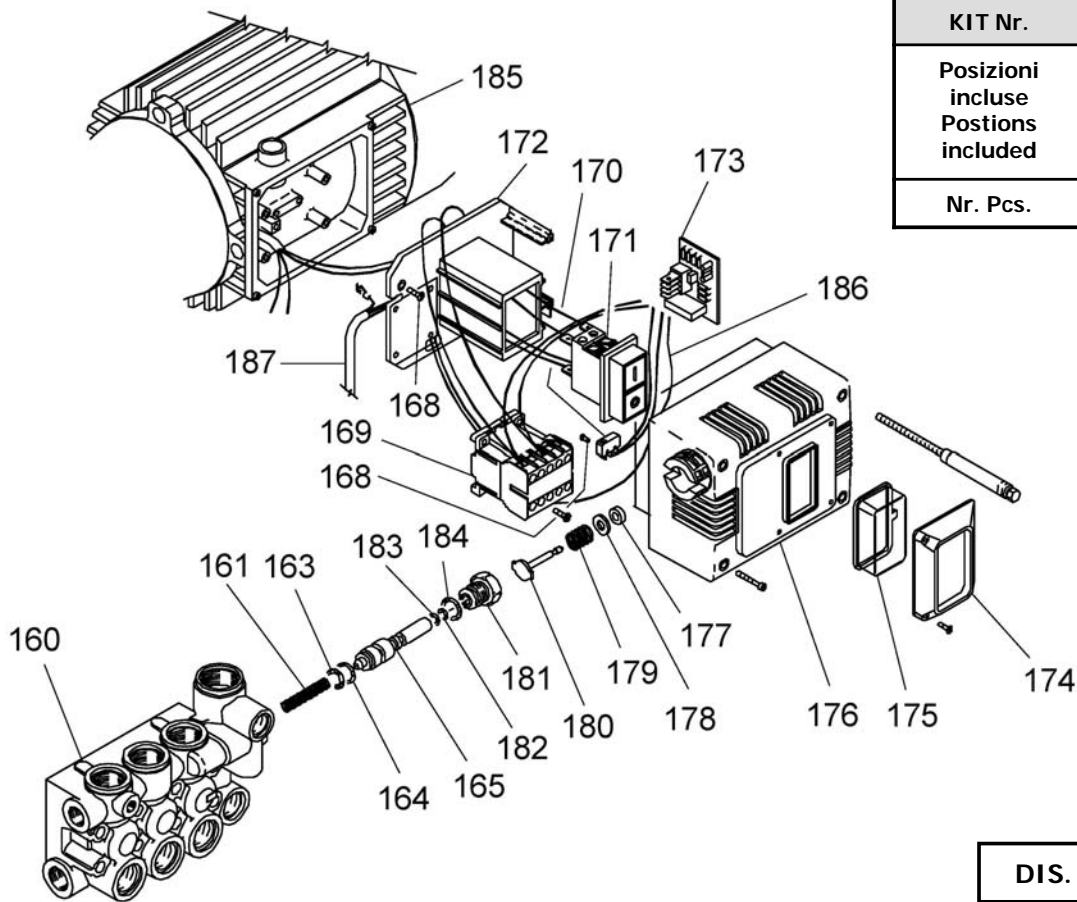
**M10-130 - M12-100
M951 - M954 - M957**

PISTOND. 15	
M10-130 M951	
PISTON D. 18	
M12-100 M954 M957	

POS	COD.	DESCRIZIONE – DESCRIPTION - KIT	NR
102	90.3841.00	OR D. 17.13x2.62 NBR SH. 70 3068	123 7
103	36.3182.51	Nipplo aspirazione G 3/4"	1
104	92.8925.00	Filtro 12x35	1
105	90.3828.00	OR D. 12.37x2.62 NBR SH. 70 3050	1
106	36.2569.51	Portagomma aspirazione - OPTIONAL	1
107	92.9828.00	Ghiera G 3/4" - OPTIONAL	1
108	36.2025.51	Guida valvola	123 6
109	94.7376.00	Molla Dm. 9.4x14.0	123 6
110	36.2001.76	Valvola	123 6
111	36.2003.66	Sede valvola	123 6
112	98.1966.00	Tappo G 1/8"x8	1
113	99.3175.00	Vite M8x60 UNI 5931	8
114	96.7014.00	Rosetta D. 8.4x13.0x0.8	12
115	44.1201.41 44.1205.41	Testata pompa - M10-130 M951 Testata pompa - M12-100 M954 M957	1
116	96.7514.00	Rosetta D. 21.5x27.0x1.5	1
117	98.2176.00	Tappo G 1/2"x10	1
118	90.1614.00	Anello rad. D. 20.0x30.0x5.0	23 3
119	96.7380.00	Rosetta D. 17.5x23.0x1.5	1
120	98.2100.00	Tappo G 3/8"x13	1
121	51.1000.51 44.1001.51	Anello di testa D. 15 Anello di testa D. 18	90-130 129-131 3
122	90.2620.00 90.2682.00	Anello ten. alt. D. 15.0x25.0x5/3.1 HP Anello ten. alt. D. 18.0x30.0x6/3.5 HP	88-130 127-131 3
123	90.2622.00 90.2683.00	An. RESTOP D. 15.0x25x5/3.1 An. RESTOP D. 18.0x30x6/3.5	88-130 127-131 3
124	52.2166.70 44.2161.70	Anello intermedio D. 15 Anello intermedio D. 18	89-130 128-131 3

POS	COD.	DESCRIZIONE – DESCRIPTION - KIT	NR
125	44.0800.70 44.0801.70	Anello di fondo D. 15 Anello di fondo D. 18	125-130 126-131 3
126	90.3612.00	OR D. 31.47x1.78 NBR SH. 70 2125	125-126-130-131 3
127	42.2115.86	Cavo per interruttore	1
128	43.2118.51	Piastra di fissaggio	1
129	42.2121.51	Cappello per condensatore	2
130	93.5648.00	Condensatore 40 µF	2
134	10.7232.01	Cavo collegamento condensatore	2
136	42.2124.51	Protezione condensatori	1
137	43.2129.47	Tenuta cavetti	1
138	99.1705.00	Vite M5x65 UNI 5931	1
140	42.2000.74	Piedino motore - OPTIONAL	1
141	99.3067.00	Vite M8x25 UNI 5739 - OPTIONAL	4
142	36.3181.51	Corpo dosatore	1
143	94.7383.00	Molla Dm. 9.75x10.0	94 1
144	90.3580.00	OR D. 8.73x1.78 NBR 108	94 1
145	36.2564.70	Otturatore per dosatore	1
146	36.2565.51	Pomolo regolazione detersivo	1
147	90.3570.00	OR D. 4.48x1.78 NBR SH. 70 2018	94 2
148	36.2566.70	Innesco porta gomma	1
149	90.2617.00 90.2684.00	Anello ten. alt. D. 15.0x25.0x5.8 LP Anello ten. alt. D. 18.0x30.0x6.8 LP	88-130 127-131 3
155	93.5745.00	Basetta	1
156	96.6910.00	Rosetta D. 5.3x9.0x0.6	2
157	99.1537.00	Vite M5x12 UNI 5931	2
158	43.2111.51	Copri basetta – vers. senza interrutt.	1

**VERSIONE CON TOTALSTOP - TOTALSTOP VERSION
VERSION AVEC LE TOTALSTOP - VERSION MIT TOTALSTOP
VERSIÓN CON EL TOTALSTOP - VERSÃO COM TOTALSTOP**



KIT Nr.	KIT 306
Posizioni incluse Positions included	163 - 164 - 165 181 - 182 - 183 184
Nr. Pcs.	1

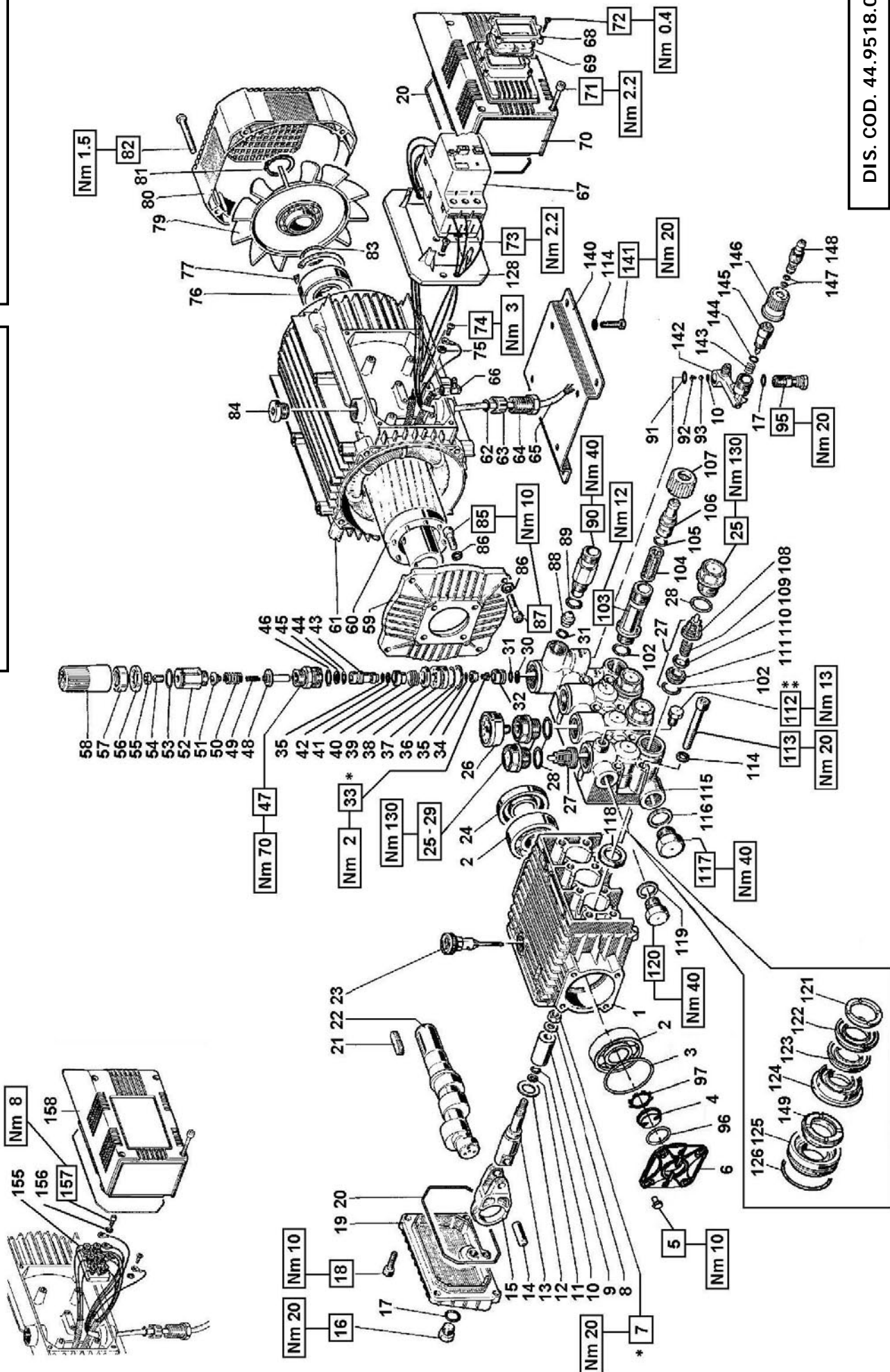
DIS. COD. 44.9527.00

POS	COD.	DESCRIZIONE - DESCRIPTION - KIT	NR
160	44.1210.41 44.1211.41	Testata pompa D. 15 Testata pompa D. 18	1
161	94.7341.00	Molla Dm. 7.5x37.5	1
163	90.5052.00	Anello antiest. D. 9.13x14.0x1.5	306 1
164	90.3819.00	OR D. 9.13x2.62 NBR SH. 70 109	306 1
165	10.0799.70	Pistoncino di comando	306 1
168	99.1450.00	Vite D. 4.2x16 autofilettante	5
169	93.6342.00	Mini contattore 230V	1
170	10.7367.02	Cablaggio mini interruttore	1
171	93.5190.00	Interruttore termico bipolare 230V	1
172	43.2121.51	Piastra fissaggio interruttore	1
173	93.6430.00	Scheda elettrica temporizzata 230V	1
174	43.2123.51	Mascherina interruttore	1
175	43.2122.47	Membrana interruttore	1

POS	COD.	DESCRIZIONE - DESCRIPTION - KIT	NR
176	43.2114.51	Copri basetta	1
177	90.2532.00	Anello di tenuta D. 6.32x12.7x3.96	1
178	96.7035.00	Rosetta D. 8.4x17.0x1.6	1
179	94.7412.00	Molla Dm. 13.0x30.0	1
180	43.2126.51	Pistoncino di comando	1
181	10.0800.70	Guida pistone Totalstop	306 1
182	90.5020.00	Anello antiest. D. 5.2x8.0x1.5	306 1
183	90.3570.00	OR D. 4.48x1.78 NBR SH. 70 2018	306 1
184	90.3591.00	OR D. 14.00x1.78 NBR SH. 70 2056	306 1
185	43.3205.02 43.3206.02 43.3207.02	Statore comp. 3.0 CV - Mon. - 230V Statore comp. 3.0 CV - Mon. - 230V 60 HZ Statore comp. 3.0 CV - Mon. - 240V 60 HZ	1
186	10.7365.01	Cablaggio interruttore	1
187	10.7370.01	Cavo 5.8 m.	1

** Fissare con Loctite 542 col. ROSSO
 ** Affix with Loctite 542 col. RED
 ** Fixer avec de la Loctite 542 couleur ROUGE
 ** Mit Loctite 542 ROT befestigen
 ** Fijar con Loctite 542 col. ROJO
 ** Fixar com Loctite 542 cor. VERMELHA

* Fissare con Loctite 270 col. VERDE
 * Affix with Loctite 270 col. GREEN
 * Fixer avec de la Loctite 270 couleur VERT
 * Mit Loctite 270 GRÜN befestigen
 * Fijar con Loctite 270 col. VERDE
 * Fixar com Loctite 270 cor. VERDE



DIS. COD. 44.9518.00

KIT RICAMBI – SPARE KITS

KIT Nr.	KIT 23	KIT 94	KIT 123	KIT 124	PISTONE - PISTON D. 15			PISTONE - PISTON D. 18							
					KIT 137	KIT 88	KIT 89	KIT 90	KIT 125	KIT 130	KIT 126	KIT 127	KIT 128	KIT 129	KIT 131
Posizioni include Positions included	118	10 - 17 - 31 - 89 91 - 92 - 93 - 143 144 - 147	102 - 108 109 - 110 111 (27)	25 - 28	30 - 31 - 32 - 33 34 - 35 - 36 - 37 38 - 39 - 40 - 41 42 - 43 - 44 - 45	122 - 123 149	124	121	125 - 126	121 - 122 123 - 124 125 - 126 149	125 - 126	122 - 123 149	124	121	121 - 122 123 - 124 125 - 126 149
Nr. Pcs.	3	1	6	6	1	3	3	6	3	1	3	3	3	6	1



**M12-140 - M13-180
M14-120 - M15-150
M17-130 - M1960 - M1961**

PISTON D. 15
M13-180 M15-150
M17-130 M1961

PISTON D. 18
M12-140 M14-120 M1960

POS	COD.	DESCRIZIONE – DESCRIPTION - KIT	NR
1	44.0100.22	Carter pompa	1
2	91.8328.00	Cuscinetto a sfere	2
3	90.3898.00	OR D. 56.82x2.62 NBR SH. 70 3225	1
4	53.2108.51	Vetrino spia livello olio	1
5	99.1807.00	Vite M6x10 UNI 5739	4
6	53.1500.22	Coperchio laterale carter	1
7	92.2216.00	Dado M8x13X5	3
8	44.2115.70	Rosetta D. 8 con collare	3
9	52.0400.09 44.0401.09	Pistone D. 15x37.5 Pistone D. 18x37.5	3
10	90.3572.00	OR D. 5.28x1.78 NBR 2021	94
11	90.5022.00	Anello antiest. D. 6.2x9.0x1.5	3
12	96.7350.00	Rosetta d. 16.0x28.0x1.0	3
13	44.0500.66	Guida pistone	3
14	97.7340.00	Spinotto d. 10x29.5	3
15	44.0300.22	Biella	3
16	98.2042.50	Tappo G 1/4"x9 TE17 – Zhnc.	1
17	90.3585.00	OR D. 10.82x1.78 NBR SH. 70 2043 94	2
18	99.1837.00	Vite M6x14 UNI 5931	5
19	44.1600.22	Coperchio posteriore carter	1
20	90.3920.00	OR D. 101.27x2.62 NBR SH 70 3400	2

POS	COD.	DESCRIZIONE – DESCRIPTION - KIT	NR
21	91.4892.00	Linguetta 8x7x35 UNI 6604	1
22	44.0200.35 44.0203.35	Albero ecc. C.8.5 - M13-180 M961 Albero ecc. C.11 - M12-140 M15-150 M960	1
23	44.0206.35	Albero ecc. C.13 - M14-120 M17-130	1
24	98.2103.00	Tappo carico olio G 3/8"	1
25	90.1641.00	Anello rad. D. 25.0x62.0x10.0	1
26	98.2226.00	Tappo M24x1.5x17	124
27	94.5824.00	Manometro	1
28	36.7115.01	Gr. valvola aspiraz./mandata	123
29	90.3847.00	OR D.20.24x2.62 NBR SH. 90 3081 124	6
30	98.2227.00	Tappo M24x1.5 per manometro	1
31	90.5065.00	Anello antiest. D. 10.6x15.0x2.0	137
32	90.3822.00	OR D. 9.92x2.62 NBR 112	94-137
33	36.3164.66	Sede valvola	137
34	99.1509.00	Vite M5x7.5	137
35	36.3190.66	Valvola sferica	137
36	90.3575.00	OR D. 6.72x1.78 NBR 106	137
37	90.5144.00	Anello antiest. D. 22.0x25.0x1.5	137
38	90.3600.00	OR D.21.92x1.78 NBR SH. 70 2087 137	1
39	36.3229.70	Guida valvola	137
40	36.3231.51	Valvola	137
41	94.7485.00	Molla Dm. 18.5x11.5	137
42	36.3230.70	Distanziale	137
43	90.5025.00	Anello antiest. D. 7.0x10.0x1.5	137
44	36.3234.70	Pistoncino di comando	137
45	90.3820.00	OR D. 9.13x2.62 NBR SH. 70 109	137

POS	COD.	DESCRIZIONE – DESCRIPTION - KIT	NR
45	90.5052.00	Anello antiest. D. 9.6x14.0x1.5	137
46	90.3857.00	OR D. 23.81x2.62 NBR SH. 70 132	1
47	36.3228.70	Boccola di guida	1
48	36.3233.70	Piattello inferiore molla	1
49	94.7345.00	Molla Dm. 7.6x29.0	1
50	94.7436.00	Molla Dm. 15.0x35.0	1
51	36.3169.70	Piattello molla	1
52	36.3185.70	Registro pressione	1
53	90.3598.00	OR D. 20.35x1.78 NBR SH. 70 2081	1
54	99.3054.00	Vite M8x20 UNI 5923	1
55	92.2218.00	Dado M8x5x13 UNI 5589	1
56	92.2935.00	Dado M28x1.5	1
57	36.3186.70	Ghiera per registro pressione	1
58	36.3187.51	Pomolo regolazione valvola	1
59	10.0501.22	Flangia	1
60	43.3430.02 43.3460.02	Rotore comp. 4.0 CV - Trif. - 220-380V Rotore comp. 5.5 CV - Trif. - 220-415V	1
61	43.3231.02 43.3261.02 43.3265.02 43.3268.02	Statore comp. 4.0 CV - Trif. - 220-380V Statore comp. 5.5 CV - Trif. - 230-380V Statore comp. 5.5 CV - Trif. - 240-415V Statore comp. 5.5 CV - Trif. - 220-380V	1
62	90.4028.00	OR D. 9.12x3.53 NBR SH. 70 4036	1
63	43.2128.51	Pinza pressa cavo	1
64	43.2127.51	Pressa cavo	1
65	10.7273.01	Cavo 5.8 m.	1
66	93.5790.00	Morsetto - 380V	1
67	93.5179.00 93.5182.00	Interruttore magnetotermico - 380-415V Interruttore magnetotermico - 220-240V	1
68	43.2120.51	Mascherina interruttore	1

KIT RICAMBI – SPARE KITS

KIT Nr.	KIT 23	KIT 94	KIT 123	KIT 124	PISTONE - PISTON D. 15			PISTONE - PISTON D. 18					
					KIT 137	KIT 88	KIT 89	KIT 90	KIT 125	KIT 130	KIT 126	KIT 127	KIT 128
Posizioni include Positions included	118	10 - 17 - 31 - 89 91- 92 - 93 - 143 144 - 147	102 - 108 109 - 110 111 (27)	25 - 28	30 - 31 - 32 - 33 34 - 35 - 36 - 37 38 - 39 - 40 - 41 42 - 43 - 44 - 45	122 - 123 149	124	121	121 - 122 123 - 124 125 - 126 149	125 - 126 149	124	121	121 - 122 123 - 124 125 - 126 149
Nr. Pcs.	3	1	6	6	1	3	3	6	1	3	3	6	1



M12-140 - M13-180
M14-120 - M15-150
M17-130 - M1960 - M1961

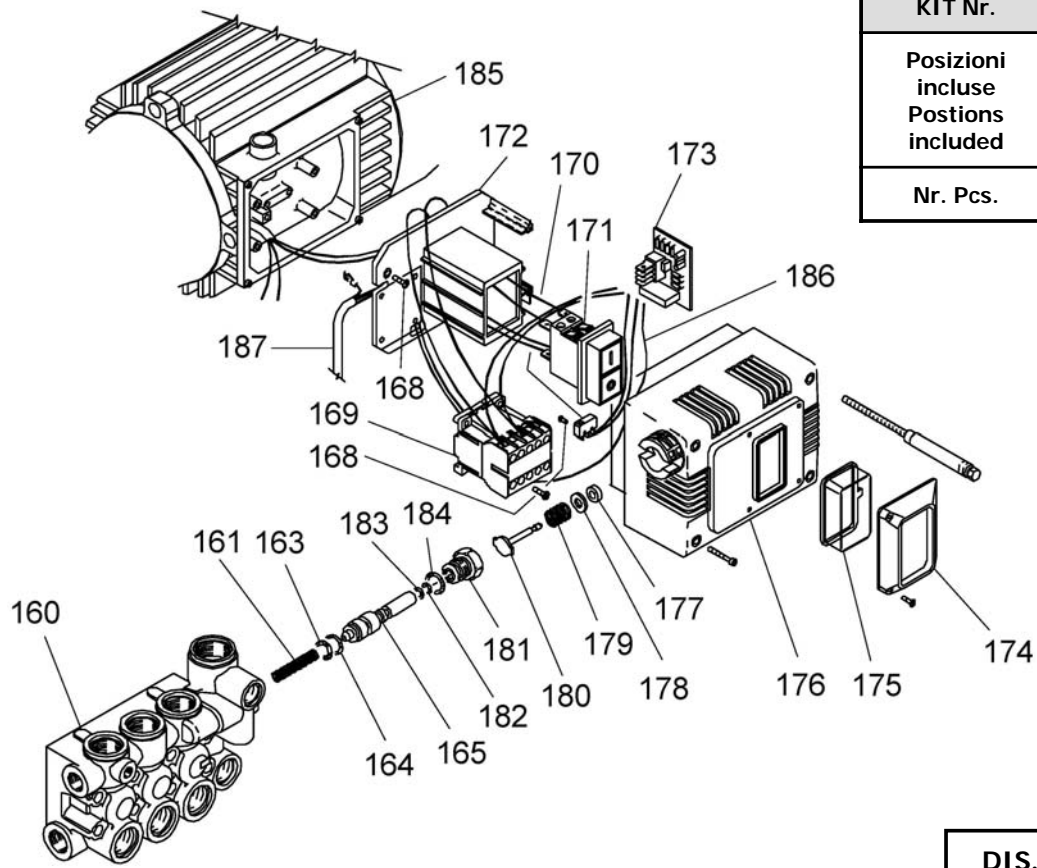
PISTON D. 15	
M13-180 M15-150 M17-130 M1961	
PISTON D. 18	
M12-140 M14-120 M1960	

POS	COD.	DESCRIZIONE – DESCRIPTION - KIT	NR
69	43.2119.47	Membrana interruttore	1
70	43.2113.51	Copri basetta	1
71	99.1720.00	Vite M5x70 UNI 5931	4
72	99.0744.00	Vite D. 3x16 autofilettante	4
73	99.1540.00	Vite M5x12 UNI 7688	2
74	99.1515.00	Vite M5x12 UNI 7687	1
75	96.6913.00	Rosetta D. 5.3x9.0x0.6	1
76	91.8372.00	Cuscinetto a sfere	1
77	90.0850.00	Anello d'arresto J62	1
79	42.0300.51	Ventola	1
80	43.0400.51	Copri ventola	1
81	90.0655.00	Anello d'arresto A28	1
82	99.1658.00	Vite M5x45 UNI 7687	4
83	90.3863.00	OR D. 28.25x2.62 NBR SH. 70 3112	1
84	98.2173.00	Tappo G 1/2"x10	1
85	99.1867.00	Vite M6x18 UNI 5931	4
86	96.6938.00	Rosetta D. 6.4x10.0x0.7	8
87	99.1897.00	Vite M6x25 UNI 5931	4
88	10.0076.66	Ugello – Nozzle D. 2.5 (12÷17 l/min.)	1
89	90.3832.00	OR D. 13.95x2.62 NBR SH. 70 3056	94
90	10.0078.70 10.0147.70	Nipplo G 3/8" con D. 3 - STD. Nipplo M22x1.5 con D. 3	1

POS	COD.	DESCRIZIONE – DESCRIPTION - KIT	NR
91	90.3582.00	OR D. 9.25x1.78 NBR SH. 70 2037	94
92	94.8217.00	Molla conica Dm. 4.3/7.3x11.0	94
93	97.4782.00	Sfera D. 7/32"	94
95	36.2563.70	Sede valvola	1
96	90.3859.00	OR D. 25.7x2.62 NBR SH. 70 3100	1
97	90.0671.00	Anello d'arresto Z130	1
102	90.3841.00	OR D.17.13x2.62 NBR SH. 70 3068	123
103	36.3182.51	Nipplo aspirazione G 3/4"	1
104	92.8925.00	Filtro 12x35	1
105	90.3828.00	OR D. 12.37x2.62 NBR SH. 70 3050	1
106	36.2569.51	Porta gomma aspirazione - OPTIONAL	1
107	92.9828.00	Ghiera G 3/4" - OPTIONAL	1
108	36.2025.51	Guida valvola	123
109	94.7376.00	Molla Dm. 9.4x14.8	123
110	36.2001.76	Valvola	123
111	36.2003.66	Sede valvola	123
112	98.1966.00	Tappo G 1/8"x8	1
113	99.3175.00	Vite M8x60 UNI 5931	8
114	96.7014.00	Rosetta D. 8.4x13.0x0.8	12
115	44.1200.41 44.1201.41 44.1204.41 44.1205.41	Testata pompa - M13-180 M17-130 Testata pompa - M15-150 M1961 Testata pompa - M14-120 Testata pompa - M12-140 M1960	1
116	96.7514.00	Rosetta D. 21.5x27.0x1.5	1
117	98.2176.00	Tappo G 1/2"x10	1
118	90.1614.00	Anello rad. D. 20.0x30.0x5.0	23
119	96.7380.00	Rosetta D. 17.5x23.0x1.5	1
120	98.2100.00	Tappo G 3/8"x13	1

POS	COD.	DESCRIZIONE – DESCRIPTION - KIT	NR
121	51.1000.51 44.1001.51	Anello di testa D. 15 Anello di testa D. 18	90-130 129-131
122	90.2620.00 90.2682.00	Anello ten. alt. D. 15.0x25x5/3.1 HP Anello ten. alt. D. 18.0x30x6/3.5 HP	88-130 88-130 127-131
123	90.2622.00 90.2683.00	An. RESTOP D. 15.0x25x5/3.1 An. RESTOP D. 18.0x30x6/3.5	88-130 127-131
124	52.2166.70 44.2161.70	Anello intermedio D. 15 Anello intermedio D. 18	89-130 128-131
125	44.0800.70 44.0801.70	Anello di fondo D. 15 Anello di fondo D. 18	125-130 126-131
126	90.3612.00	OR D. 31.47x1.78 NBR SH. 70 2125 125-126-130-131	3
128	43.2118.51	Piastra di fissaggio	1
140	42.2000.74	Predino motore - OPTIONAL	1
141	99.3067.00	Vite M8x25 UNI 5739 - OPTIONAL	4
142	36.3181.51	Corpo dosatore	1
143	94.7383.00	Molla Dm. 9.75x10.0	94
144	90.3580.00	OR D. 8.73x1.78 NBR SH. 70 108	94
145	36.2564.70	Otturatore per dosatore	1
146	36.2565.51	Pomolo regolazione deterivo	1
147	90.3570.00	OR D. 4.48x1.78 NBR SH. 70 2018	94
148	36.2566.70	Innesto porta gomma	1
149	90.2617.00 90.2684.00	Anello ten. alt. D. 15.0x25.0x5.8 LP Anello ten. alt. D. 18.0x30.0x6.8 LP	88-130 127-131
155	93.5745.00	Basetta	1
156	96.6910.00	Rosetta D. 5.3x9.0x0.6	2
157	99.1537.00	Vite M5x12 UNI 5931	2
158	43.2111.51	Copri basetta - vers. senza interrutt.	1

**VERSIONE CON TOTALSTOP – TOTALSTOP VERSION
VERSION AVEC LE TOTALSTOP – VERSION MIT TOTALSTOP
VERSIÓN CON EL TOTALSTOP – VERSÃO COM TOTALSTOP**



KIT Nr.	KIT 306
Posizioni include Postions included	163 - 164 - 165 181 - 182 - 183 184
Nr. Pcs.	1

DIS. COD. 44.9528.00

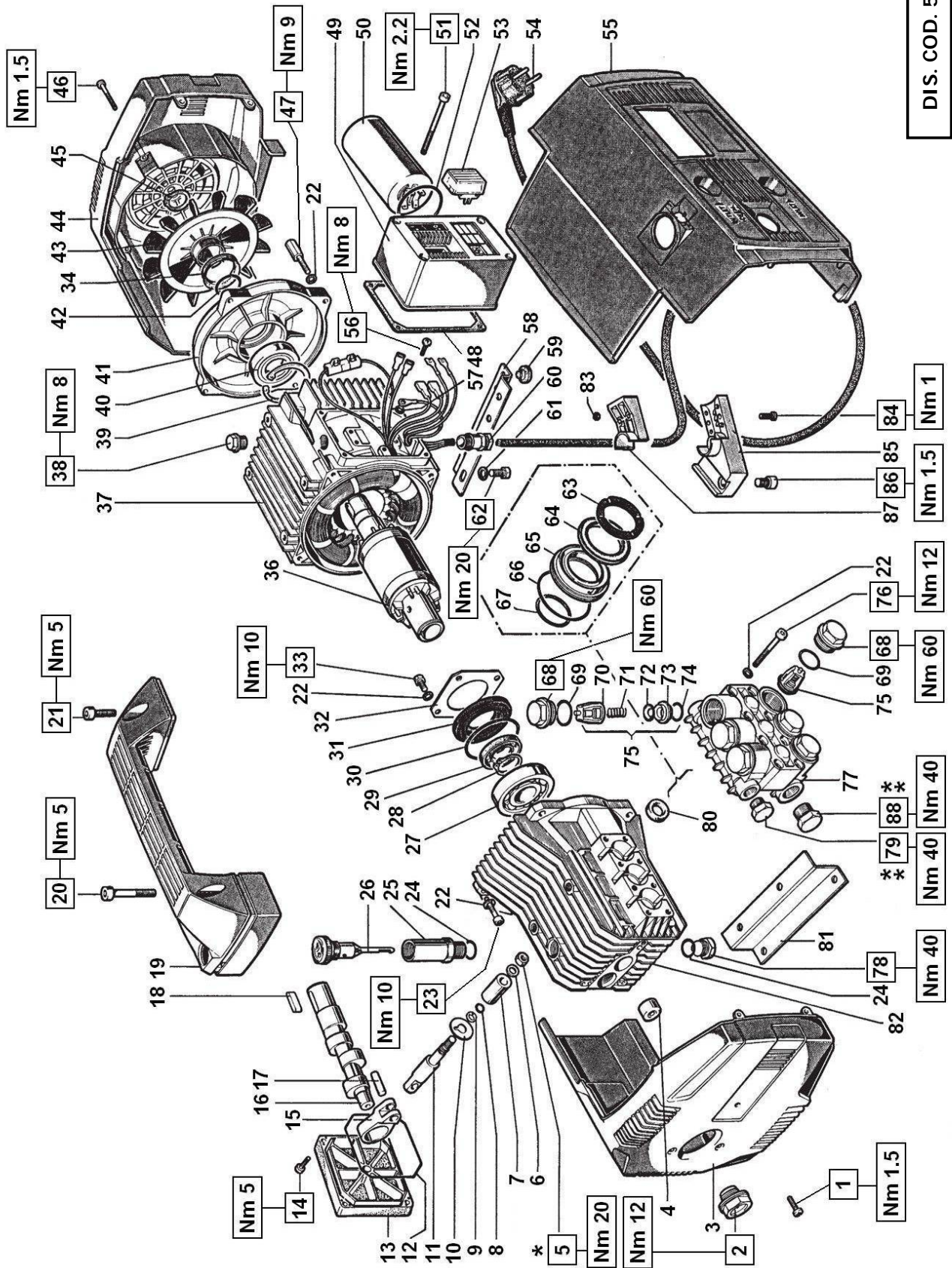
POS	COD.	DESCRIZIONE – DESCRIPTION - KIT	NR
160	44.1210.41 44.1211.41	Testata pompa D. 15 Testata pompa D. 18	1
161	94.7341.00	Molla Dm. 7.5x37.5	1
163	90.5052.00	Anello antiest. D. 9.13x14.0x1.5	306 1
164	90.3819.00	OR D. 9.13x2.62 NBR SH. 70 109	306 1
165	10.0799.70	Pistoncino di comando	306 1
168	99.1450.00	Vite D. 4.2x16 autofilettante	5
169	93.6340.00 93.6342.00	Mini contattore 400-415V Mini contattore 230-240V	1
170	10.7366.02	Cablaggio mini interruttore	1
171	93.5189.00 93.5191.00	Interruttore termico bipolare 400-415V Interruttore termico bipolare 230-240V	1
172	43.2121.51	Piastra fissaggio interruttore	1
173	93.6415.00 93.6430.00	Scheda elettrica temporizz. 400-145V Scheda elettrica temporizz. 230-240V	1
174	43.2123.51	Mascherina interruttore	1
175	43.2122.47	Membrana interruttore	1

POS	COD.	DESCRIZIONE – DESCRIPTION - KIT	NR
176	43.2114.51	Copri basetta	1
177	90.2532.00	Anello di tenuta D. 6.32x12.7x3.96	1
178	96.7035.00	Rosetta D. 8.4x17.0x1.6	1
179	94.7412.00	Molla Dm. 13.0x30.0	1
180	43.2126.51	Pistoncino di comando	1
181	10.0800.70	Guida pistone Totalstop	306 1
182	90.5020.00	Anello antiest. D. 5.2x8.0x1.5	306 1
183	90.3570.00	OR D. 4.48x1.78 NBR SH. 70 2018	306 1
184	90.3591.00	OR D. 14.00x1.78 NBR SH. 70 2056	306 1
185	43.3232.02 43.3233.02 43.3269.02 43.3270.02 43.3250.02 43.3262.02 43.3263.02	Statore comp. 4.0 CV - Tri. - 400V 50 HZ Statore comp. 4.0 CV - Tri. - 230V 50 HZ Statore comp. 5.5 CV - Tri. - 230V 60 HZ Statore comp. 5.5 CV - Tri. - 400V 60 HZ Statore comp. 5.0 CV - Tri. - 230V 60 HZ Statore comp. 5.5 CV - Tri. - 400V 50 HZ Statore comp. 5.5 CV - Tri. - 230V 50 HZ	1
186	10.7364.01	Cablaggio interruttore	1
187	10.7368.01	Cavo 5.8 m.	1

BOXJET

* Fissare con Loctite 270 col. VERDE
 * Affix with Loctite 270 col. GREEN
 * Fixer avec de la Loctite 270 couleur VERT
 * Mit Loctite 270 GRÜN befestigen
 * Fijar con Loctite 270 col. VERDE
 * Fixar com Loctite 270 cor. VERDE

** Fissare con Loctite 542 col. ROSSO
 ** Affix with Loctite 542 col. RED
 ** Fixer avec de la Loctite 542 couleur ROUGE
 ** Mit Loctite 542 ROT befestigen
 ** Fijar con Loctite 542 col. ROJO
 ** Fixar com Loctite 542 cor. VERMELHA




DIS. COD. 51.9550.00

KIT RICAMBI – SPARE KITS

POS	COD.	DESCRIZIONE – DESCRIPTION – KIT	NR
58	51.2003.74	Piedino motore	1
59	98.1924.00	Tappo per foro D. 7	4
60	93.5210.00	Pressacavo G 3/8"x D. 10	1
61	96.7014.00	Rosetta D. 8.4.0x13.0x0.8	4
62	99.3037.00	Vite M8x16 UNI 5739	4
63	51.1000.51	Anello di testa D. 15	85-87
64	90.2618.00	Anello ten. alt. D. 15x25x5/3.1	85-87
65	51.0800.70	Anello di fondo D. 15	85-86
66	90.3604.00	OR D. 25.12x1.78 NBR SH. 70 2100	85-86-87
67	90.3835.00	OR D. 15.08x2.62 NBR SH. 70 119	85-86-87
68	98.2218.00	Tappo M24x1.5	84
69	90.3847.00	OR D. 20.24x2.62 NBR SH. 70 3081	84
70	36.2002.51	Guida valvola	1
71	94.7376.00	Molla Dm. 9.4x14.8	1
72	36.2001.76	Valvola	1
73	36.2003.66	Sede valvola	1
74	90.3841.00	OR D. 17.13x2.62 NBR SH. 70 3068	1
75	36.7032.01	Gr. valvola aspiraz./mandata	1
76	99.1943.00	Vite M6x40 UNI 5931	8
77	51.1200.22 51.1200.41 51.1202.22	Testata D. 15 - NK Testata D. 15 - 8/70 11/50 Testata D. 15 - 8/90	1
78	98.2100.50	Tappo G 3/8"x13	1
79	98.2041.00	Tappo G 1/4"x9	1
80	90.1565.00	Anello rad. D. 15.0x24.0x5.0	83
81	51.2002.74	Piedino pompa	1
82	51.0103.22	Carter pompa	1
83	92.1926.00	Dado M4 UNI 5588	2
84	99.1306.00	Vite M4x16 UNI 7687	2
85	41.2118.51	Staffa	1
86	99.3039.00	Vite M8x16 UNI 5931	1
87	41.2119.51	Morsetto	1
88	98.2100.00	Tappo G 3/8"x13	1

KIT Nr.	KIT 1	KIT 83	KIT 84	KIT 85	KIT 86	KIT 87
Posizioni include Positions included	70 - 71 72 - 73 74 (75)	80	68 - 69	63 - 64 65 - 66 67	65 - 66 67	63 - 64 66 - 67
Nr. Pcs.	6	3	6	1	3	3

POS	COD.	DESCRIZIONE – DESCRIPTION – KIT	NR
30	90.4097.00	OR D. 55.56x3.53 NBR SH. 70 159	1
31	50.2115.51	Distanziale	1
32	50.1500.74	Coperchio laterale carter	1
33	99.1807.00	Vite M6x10 UNI 5739	4
34	90.1652.00	Anello V-SEAL	1
36	41.3403.02 41.3415.02	Rotore comp. 1.5 CV - Mono. 50Hz Rotore comp. 1.8 CV - Mono. 50Hz	1
37	41.3280.02 41.3282.02	Stat. comp. 1.5 CV 220V - Mono. 50Hz Stat. comp. 1.5 CV 240V - Mono. 50Hz	1
38	98.2093.00	Tappo G 3/8"	1
39	90.0795.00	Anello d'arresto J52 UNI 7437	1
40	91.8323.00	Cuscinetto a sfere	1
41	41.0700.22	Scudo posteriore	1
42	90.3857.00	OR D. 23.81x2.62 NBR SH. 70 132	1
43	41.0300.51	Ventola	1
44	51.2300.51	Protezione motore	1
45	90.0628.00	Anello d'arresto A24 UNI 7435	1
46	99.1658.00	Vite M5x45 UNI 7687	4
47	41.2104.65	Vite fissaggio scudo posteriore	4
48	41.2101.47	Guarnizione copribasetta	1
49	41.2103.51	Coperibasetta	1
50	93.5648.00	Condensatore 40 µF	1
51	99.1705.00	Vite M5x65 UNI 5931	4
52	90.3889.00	OR D. 48.89x2.62 NBR SH. 70 3193	1
53	93.5042.00	Interruttore 16A	1
54	10.7184.01	Cavo con spina	1
55	51.2307.51	Protezione centrale	1
56	99.1515.00	Vite M5x12 UNI 7687	1
57	96.6913.00	Rosetta D. 5.3x9.0x0.6	1



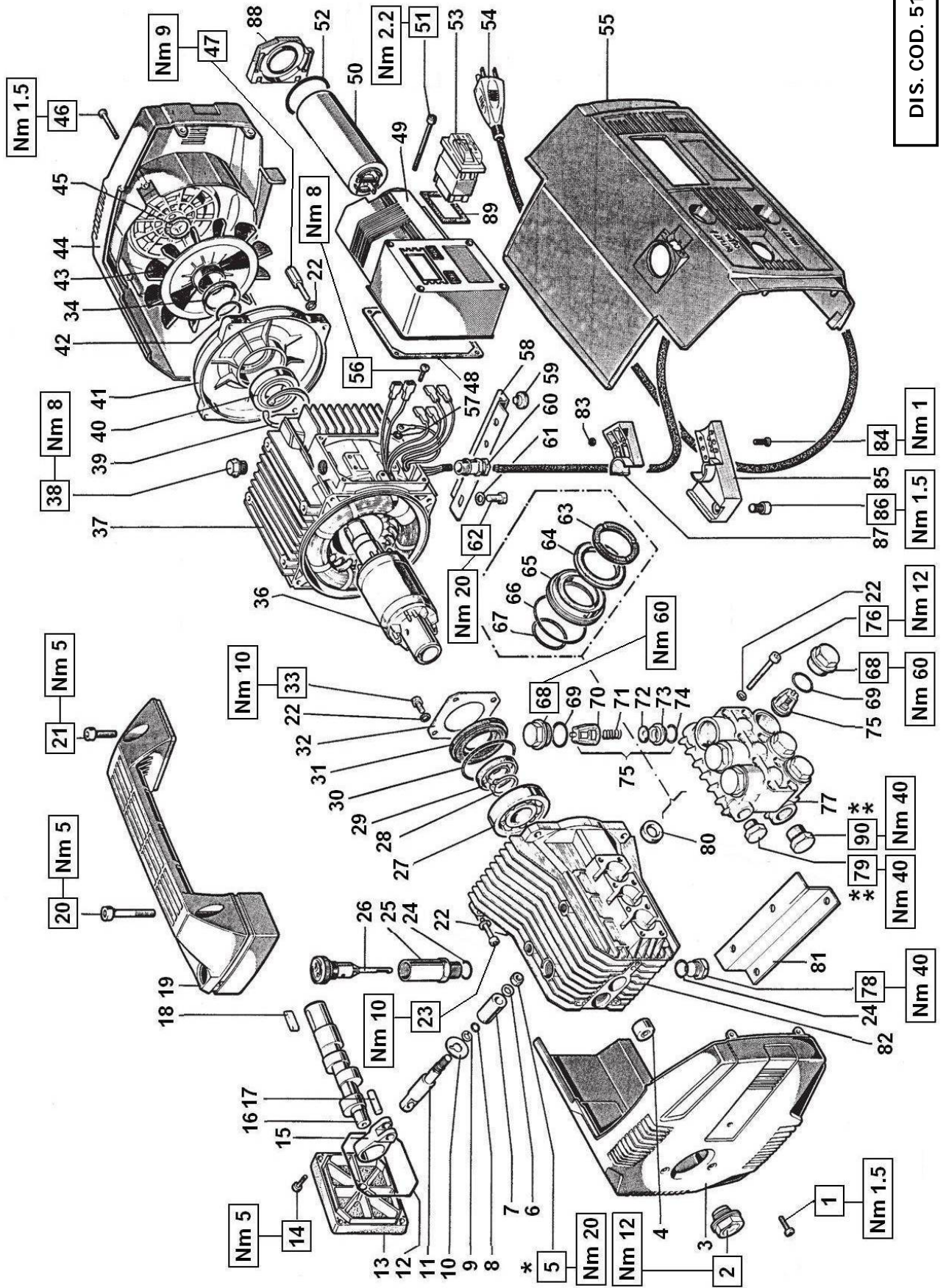
BOXJET 8/70 - BOXJET 11/50 - BOXJET 8/90

POS	COD.	DESCRIZIONE – DESCRIPTION – KIT	NR
1	99.1570.00	Vite M5x16 UNI 7687	3
2	97.5968.00	Spia livello olio G 3/4"	1
3	51.2301.51	Protezione pompa	1
4	91.8014.00	Boccola a rullini	1
5	92.2216.00	Dado M8x13x5	3
6	44.2115.70	Rosetta D. 8 con collare	3
7	51.0400.09	Pistone D. 15x25	3
8	90.3573.00	OR D. 5.28x1.78 NBR SH. 70 2021	3
9	90.5022.00	Anello antiest. D. 6.2x9.0x1.5	3
10	96.7070.00	Rosetta D. 9.0x23.0x0.5	3
11	51.0500.56	Guida pistone	3
12	90.3917.00	OR D. 88.57x2.62 NBR SH. 70 3350	1
13	51.1603.22	Coperchio posteriore carter	1
14	99.1897.00	Vite M6x25 UNI 5931	4
15	51.0300.22	Biella	3
16	51.0200.35 51.0201.35	Albero ecc. C.6 - 8/70 8/90 Albero ecc. C.8 - 11/50	1
17	97.7310.00	Spinotto D. 8x24.5	3
18	91.4877.00	Linguetta 8x7x25 UNI 6604	1
19	51.2400.51	Manico	1
20	99.3144.00	Vite M8x50 UNI 5931	2
21	99.3069.00	Vite M8x25 UNI 5931	2
22	96.6938.00	Rosetta D. 6.4x10.0x0.7	20
23	99.1867.00	Vite M6x18 UNI 5931	4
24	90.3833.00	OR D. 13.95x2.62 NBR SH. 70 3056	2
25	51.2100.51	Prolunga tappo carico olio	1
26	98.2097.00	Tappo carico olio G 3/8"	1
27	91.8328.00	Cuscinetto a sfere	1
28	90.0635.00	Anello d'arresto A25 UNI 7435	1
29	90.1634.00	Anello rad. D. 25.0x42.0x7.0	1

BOXJET

* Fissare con Loctite 270 col. VERDE
 * Affix with Loctite 270 col. GREEN
 * Fixer avec de la Loctite 270 couleur VERT
 * Mit Loctite 270 GRÜN befestigen
 * Fijar con Loctite 270 col. VERDE
 * Fixar com Loctite 270 cor. VERDE

** Fissare con Loctite 542 col. ROSSO
 ** Affix with Loctite 542 col. RED
 ** Fixer avec de la Loctite 542 couleur ROUGE
 ** Mit Loctite 542 ROT befestigen
 ** Fijar con Loctite 542 col. ROJO
 ** Fixar com Loctite 542 cor. VERMELHA



DIS. COD. 51.9551.00



BOXJET TURBO 15 - 19 - 21

POS	COD.	DESCRIZIONE - DESCRIPTION - KIT	NR
1	99.1570.00	Vite M5x16 UNI 7687	3
2	97.5968.00	Spia livello olio G 3/4"	1
3	51.2301.51	Protezione pompa	1
4	91.8014.00	Boccola a rullini	1
5	92.2216.00	Dado M8x13x5	3
6	44.2115.70	Rosetta D. 8 con collare	3
7	51.0400.09	Pistone D. 15x25	3
8	90.3573.00	OR D. 5.28x1.78 NBR SH. 70 2021	3
9	90.5022.00	Anello antiest. D. 6.2x9.0x1.5	3
10	96.7070.00	Rosetta D. 9.0x23.0x0.5	3
11	51.0500.56	Guida pistone	3
12	90.3917.00	OR D. 88.57x2.62 NBR SH. 70 3350	1
13	51.1603.22	Coperchio posteriore carter	1
14	99.1897.00	Vite M6x25 UNI 5931	4
15	51.0300.22	Biella	3
16	51.0200.35 51.0204.35	Albero ecc. C.6 - 15 Albero ecc. C.9.4 - 19 21	1
17	97.7310.00	Spinotto D. 8x24.5	3
18	91.4877.00	Linguetta 8x7x25 UNI 6604	1
19	51.2400.51	Manico	1
20	99.3144.00	Vite M8x50 UNI 5931	2
21	99.3069.00	Vite M8x25 UNI 5931	2
22	96.6938.00	Rosetta D. 6.4.0x10.0x0.7	20
23	99.1867.00	Vite M6x18 UNI 5931	4
24	90.3833.00	OR D. 13.95x2.62 NRB 3056	2
25	51.2100.51	Prolunga tappo carico olio	1
26	98.2097.00	Tappo carico olio G 3/8"	1
27	91.8328.00	Cuscinetto a sfere	1
28	90.0635.00	Anello d'arresto A25 UNI 7435	1
29	90.1634.00	Anello rad. D. 25.0x42.0x7.0	1

KIT RICAMBI - SPARE KITS

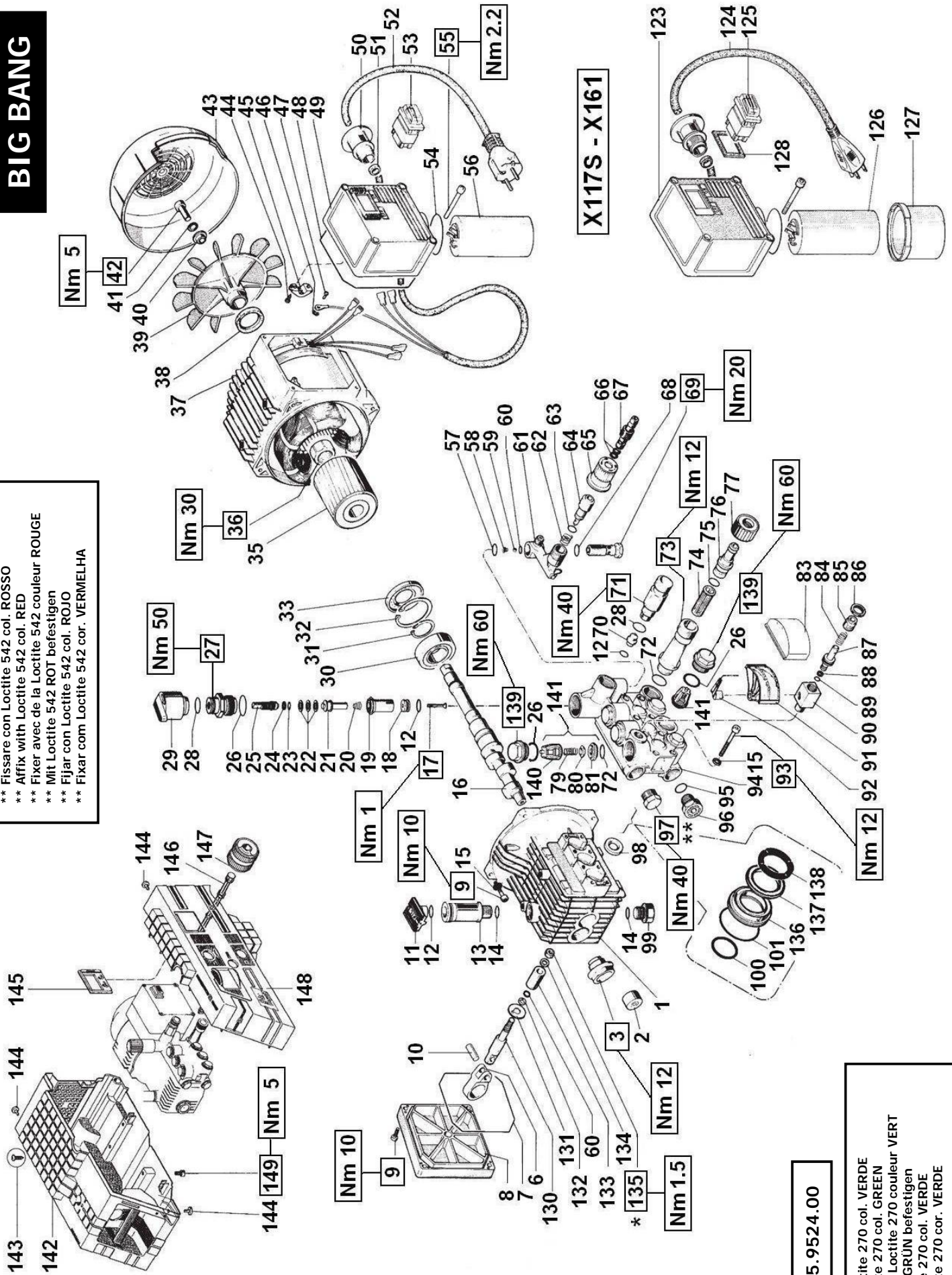
KIT Nr.	KIT 1	KIT 83	KIT 84	KIT 85	KIT 86	KIT 87
Posizioni incluse Positions included (75)	70 - 71 72 - 73 74 (75)	80	68 - 69 67	63 - 64 65 - 66 67	65 - 66 67	63 - 64 66 - 67
Nr. Pcs.	6	3	6	1	3	3

POS	COD.	DESCRIZIONE - DESCRIPTION - KIT	NR
30	90.4097.00	OR D. 55.56x3.53 NBR SH. 70 159	1
31	50.2115.51	Distanziale	1
32	50.1500.74	Coperchio laterale carter	1
33	99.1807.00	Vite M6x10 UNI 5739	4
34	90.1652.00	Anello V-SEAL	1
36	41.3403.02 41.3407.02	Rotore comp. 1.5CV - Mono. 50Hz Rotore comp. 1.5CV - Mono. 60Hz	1
37	41.3287.02 41.3288.02 41.3286.02	Stat. comp. 1.5CV 100V - Mono. 50Hz Stat. comp. 1.5CV 100V - Mono. 60Hz Stat. comp. 1.5CV 115V - Mono. 60Hz	1
38	98.2093.00	Tappo G 3/8"	1
39	90.0795.00	Anello d'arresto J52 UNI 7437	1
40	91.8323.00	Cuscinetto a sfere	1
41	41.0700.22	Scudo posteriore	1
42	90.3857.00	OR D. 23.81x2.62 NBR SH. 70 132	1
43	41.0300.51	Ventola	1
44	51.2300.51	Protezione motore	1
45	90.0628.00	Anello d'arresto A24 UNI 7435	1
46	99.1658.00	Vite M5x45 UNI 7687	4
47	41.2104.65	Vite fissaggio scudo posteriore	4
48	41.2101.47	Guarnizione copribasetta	1
49	41.2124.51	Coperibasetta	1
50	93.5688.00	Condensatore 80 µF	1
51	99.1705.00	Vite M5x65 UNI 5931	4
52	90.3885.00	OR D. 45.69x2.62 NBR SH. 70 3181	1
53	93.5031.00	Interruttore 10A	1
54	10.6051.01	Cavo con spina	1
55	51.2307.51	Protezione centrale	1
56	99.1515.00	Vite M5x12 UNI 7687	1
57	96.6913.00	Rosetta D. 5.3x9.0x0.6	1

POS	COD.	DESCRIZIONE - DESCRIPTION - KIT	NR
58	51.2003.74	Piedino motore	1
59	98.1924.00	Tappo per foro D. 7	4
60	93.5210.00	Pressacavo G 3/8"x D. 10	1
61	96.7014.00	Rosetta D. 8.4x13.0x0.8	4
62	99.3037.00	Vite M8x16 UNI 5739	4
63	51.1000.51	Anello di testa D. 15	85-87
64	90.2618.00	Anello ten. alt. D. 15x25x5/3.1	85-87
65	51.0800.70	Anello di fondo D. 15	85-86
66	90.3604.00	OR D. 25.12x1.78 NBR SH. 70 2100	85-86-87
67	90.3835.00	OR D. 15.08x2.62 NBR SH. 70 119	85-86-87
68	98.2218.00	Tappo M24x1.5	84
69	90.3847.00	OR D. 20.24x2.62 NBR SH. 70 3081	84
70	36.2002.51	Guida valvola	1
71	94.7376.00	Molla Dm. 9.4x14.8	1
72	36.2001.76	Valvola	1
73	36.2003.66	Sede valvola	1
74	90.3841.00	OR D. 17.13x2.62 NBR SH. 70 3068	1
75	36.7032.01	Gr. valvola aspiraz./mandata	1
76	99.1943.00	Vite M6x40 UNI 5931	8
77	51.1200.22 51.1200.41	Testata D. 15 - NICKEL Testata D. 15	1
78	98.2100.50	Tappo G 3/8"x13	1
79	98.2041.00	Tappo G 1/4"x9	1
80	90.1565.00	Anello rad. D. 15.0x24.0x5.0	83
81	51.2002.74	Piedino pompa	1
82	51.0103.22	Carter pompa	1
83	92.1926.00	Dado M4 UNI 5588	2
84	99.1306.00	Vite M4x16 UNI 7687	2
85	41.2118.51	Staffa	1
86	99.3039.00	Vite M8x16 UNI 5931	1
87	41.2119.51	Morsetto	1
88	41.2120.51	Coperchio copribasetta	1
89	41.2126.84	Guarnizione interruttore	1
90	98.2100.00	Tappo G 3/8"x13	1



BIG BANG

** Fissare con Loctite 542 col. ROSSO
 ** Affix with Loctite 542 col. RED
 ** Fixer avec de la Loctite 542 couleur ROUGE
 ** Mit Loctite 542 ROT befestigen
 ** Fijar con Loctite 542 col. ROJO
 ** Fixar com Loctite 542 cor. VERMELHA



DIS. COD. 55.9524.00

* Fissare con Loctite 270 col. VERDE
 * Affix with Loctite 270 col. GREEN
 * Fixer avec de la Loctite 270 couleur VERT
 * Mit Loctite 270 GRÜN befestigen
 * Fijar con Loctite 270 col. VERDE
 * Fixar com Loctite 270 cor. VERDE

**BIG BANG X230 BIG BANG F122 BIG BANG X220S
BIG BANG X117S BIG BANG F124 BIG BANG X240S
BIG BANG X161**



KIT RICAMBI – SPARE KITS

KIT Nr.	KIT 1	KIT 83	KIT 84	KIT 85	KIT 86	KIT 87	KIT 94	KIT 120
Posizioni incluse Positions included	72 - 79 80 - 81 140 (141)	98	26 - 139	100 - 101 136 - 137 138	100 - 101 136	100 - 101 137 - 138	12 - 28 - 57 58 - 59 - 60 62 - 63 - 66 68	12 - 17 18 - 19 20 - 21 22
Nr. Pes.	6	3	6	1	3	3	1	1

POS	COD.	DESCRIZIONE – DESCRIPTION - KIT	NR
1	55.0100.22	Carter pompa	1
2	91.8014.00	Boccola a rullini	1
3	97.5968.00	Spia livello olio G 3/4"	1
6	51.0300.22	Biella	3
7	90.3917.00	OR D. 88.57x2.62 NBR SH.70 3350	1
8	55.1600.51	Coperchio posteriore carter	1
9	99.1897.00	Vite M6x25 UNI 5931	8
10	97.7310.00	Spinotto D 8x24.5	3
11	55.2110.51	Tappo carico olio	1
12	90.3822.00	OR D. 9.92x2.62 NBR SH.70 112 94-120	3
13	55.2098.51	Prolunga tappo carico olio	1
14	90.3833.00	OR D. 13.95x2.62 NBR SH.70 3056	2
15	96.6938.00	Rosetta D. 6.4x10.0x0.7	12
16	55.0205.35	Albero ecc. C.5.3 - F122 F124	1
	55.0200.35	Albero ecc. C.6 - X220S X240S	
	55.0203.35	Albero ecc. C.9.4 - X117S X161 X230	
17	36.3196.66	Valvola	120
18	36.3197.66	Sede valvola	120
19	36.3195.51	Distanziale p er valvola	120
20	94.8220.00	Molla conica Dm. 5.15/8.35x10	120
21	36.3194.70	Pistoncino di comando	120
22	92.7705.00	Fascia elastica D. 17	120
23	90.3577.00	OR D. 7.66x1.78 NBR SH.70 2031	1
24	90.5033.00	Anello antiest. D. 8.0x11.0x1.5	1
25	36.3192.70	Vite di regolazione valvola	1
26	90.3847.00	OR D. 20.24x2.62 NBR SH.70 3081 84	7
27	36.3193.70	Boccola di guida	1
28	90.3832.00	OR D. 13.95x2.62 NBR SH.70 3037 94	2

POS	COD.	DESCRIZIONE – DESCRIPTION - KIT	NR
29	36.3191.51	Pomolo regolazione valvola	1
30	91.8373.00	Cuscinetto a sfere	1
31	90.0667.00	Anello d'arresto A30 UNI 7435	1
32	90.0850.00	Anello d'arresto J62 UNI 7437	1
33	90.1650.00	Anello rad. D. 30.0x62.0x7.0	1
35	40.3360.02	Rotore 1.4 CV - F122 F124 X220S X240S	1
	40.3370.02	Rotore 1.4 CV - X117S X161 X230	
36	92.2660.00	Dado M22 per fissaggio motore	1
	40.3260.02	Statore 1.4 CV Mon. 220V - F122 X220S	
	40.3261.02	Statore 1.4 CV Mon. 240V - F124 X240S	
37	40.3270.02	Statore 1.4 CV Mon. 115V - X117S	1
	40.3250.02	Statore 1.2 CV Mon. 100V - X161	
	40.3271.02	Statore 1.4 CV Mon. 203V - X230	
38	90.1632.00	Anello di tenuta	1
39	45.0300.51	Ventola motore	1
40	45.2125.70	Piattello ventola	1
41	96.7014.00	Rosetta D. 8.4x13.0x0.8	1
42	99.3059.00	Vite M8x20 UNI 5931	1
43	45.0400.51	Copriventola	1
44	99.1450.00	Vite D. 4.2x16	2
45	45.2119.51	Morsetto cavo elettrico	1
46	96.6913.00	Rosetta D. 5.3x9.0x0.6	1
47	99.1515.00	Vite M5.3x9x0.6	1
48	90.3920.00	OR D. 101.27x2.62 NBR SH.70 3400	1
49	45.2103.51	Copribasetta	1
50	45.2127.51	Pressacavo	1
51	45.2121.47	Gommino per pressacavo	1
	10.7254.01	Cavo 5.5 m. - EU - X220S F122	
	10.6087.01	Cavo 5.8 m. - BRA - X230	
	10.6077.01	Cavo 5.8 m. - GB - X240S F124	
	10.6075.01	Cavo 3.0 m. - ARG - X220S	
	10.7186.01	Cavo 3.0 m. - AUS - X220S X240S	
52			1

POS	COD.	DESCRIZIONE – DESCRIPTION - KIT	NR
53	93.5042.00	Interruttore	1
54	90.3889.00	OR D. 48.89x2.62 NBR SH.70 3193	1
55	99.1705.00	Vite M5x65 UNI 5931	4
56	93.5632.00	Condensatore 30 µF	1
57	90.3582.00	OR D. 9.25x1.78 NBR SH.70 2037 94	1
58	94.8217.00	Molla conica D. 4.3x7.3x11	94
59	97.4782.00	Sfera 7/32"	94
60	90.3572.00	OR D. 5.28x1.78 NBR SH.70 2021 94	4
61	36.3181.51	Corpo dosatore	1
62	94.7383.00	Molla Dm. 9.75x10	94
63	90.3580.00	OR D. 8.83x1.78 NBR SH.70 108 94	1
64	36.2564.70	Otturatore	1
65	36.2565.51	Pomolo regolazione deterivo	1
66	90.3570.00	OR D. 4.48x1.78 NBR SH.70 2018 94	2
67	36.2566.70	Innesto portagomma	1
68	90.3585.00	OR D. 10.82x1.78 NBR SH.70 2043 94	1
69	36.2563.70	Sede valvola	1
	10.0437.70	Ugello 1.6 - F122 F124	
	10.0307.51	Ugello 1.8 - X220S X240S X117S X161 X230	
70			1
71	10.0147.70	Nipplo M22x1.5	1
72	90.3841.00	OR D. 17.13x2.62 NBR SH.70 3068 1	7
73	36.3182.51	Nipplo aspirazione G 3/4"	1
74	92.8925.00	Filtro D. 12x35	1
75	90.3828.00	OR D. 12.37x2.62 NBR SH.70 3050	1
76	36.2569.51	Portagomma aspirazione	1
77	92.9828.00	Ghiera G 3/4"	1
79	94.7376.00	Molla Dm. 9.4x15.0	1
80	36.2001.76	Valvola	1
81	36.2003.66	Sede valvola	1

**BIG BANG X230 BIG BANG F122 BIG BANG X220S
BIG BANG X117S BIG BANG F124 BIG BANG X240S
BIG BANG X161**

POS	COD.	DESCRIZIONE - DESCRIPTION - KIT	NR
83	10.0415.51	Coperchio manometro	1
84	94.7338.00	Molla Dm. 7.2x18.0	1
85	36.2580.70	Vite di regolazione	1
86	92.2492.00	Dado M14x1x17x3	1
87	36.2589.70	Pistoncino	1
88	90.5004.00	Anello antiest. D. 3.2x6.0x1.5	1
89	90.3567.00	OR D. 2.90x1.78 NBR SH.70 2012	1
90	10.0438.70	Corpo manometro	1
91	10.0439.01	Gr. quadrante	1
92	10.0419.01	Gr. indicatore	1
93	99.1943.00	Vite M6x40 UNI 5931	8
94	55.1201.22	Testata pompa D.15	1
95	90.3591.00	OR D. 14x1.78 NBR SH.70 2056	1
96	98.2090.00	Tappo G 3/8"x13	1
97	98.2100.00	Tappo G 3/8"x13	1
98	90.1565.00	Anello rad. D. 15.0x24.0x5.0	83
99	98.2100.50	Tappo G 3/8"x13 TE22 Zinc.	1
100	90.3835.00	OR D. 15.08x2.62 NBR SH.70 119 85-86-87	3
101	90.3604.00	OR D. 25.12x1.78 NBR SH.70 2100 85-86-87	3
123	45.2124.51	Copribasetta autoest.	1
124	10.7187.01	Cavo 2.5 m. - USA - X117S X161	1
125	93.5028.00	Interruttore con protettore termico	1
126	93.5688.00	Condensatore 80 µF	1
127	45.2120.51	Cappellotto prot. condensatore	1
128	41.2126.84	Guarnizione per interruttore	1
130	51.0500.56	Guida per pistone	3
131	96.7070.00	Rosetta D. 9.0x23.0x0.5	3
132	90.5022.00	Anello antiest. D. 6.2x9.0x1.5	3
133	51.0400.09	Pistone D. 15x25	3
134	96.7008.00	Rosetta D. 8.0x13.0x1.0	3

KIT RICAMBI - SPARE KITS

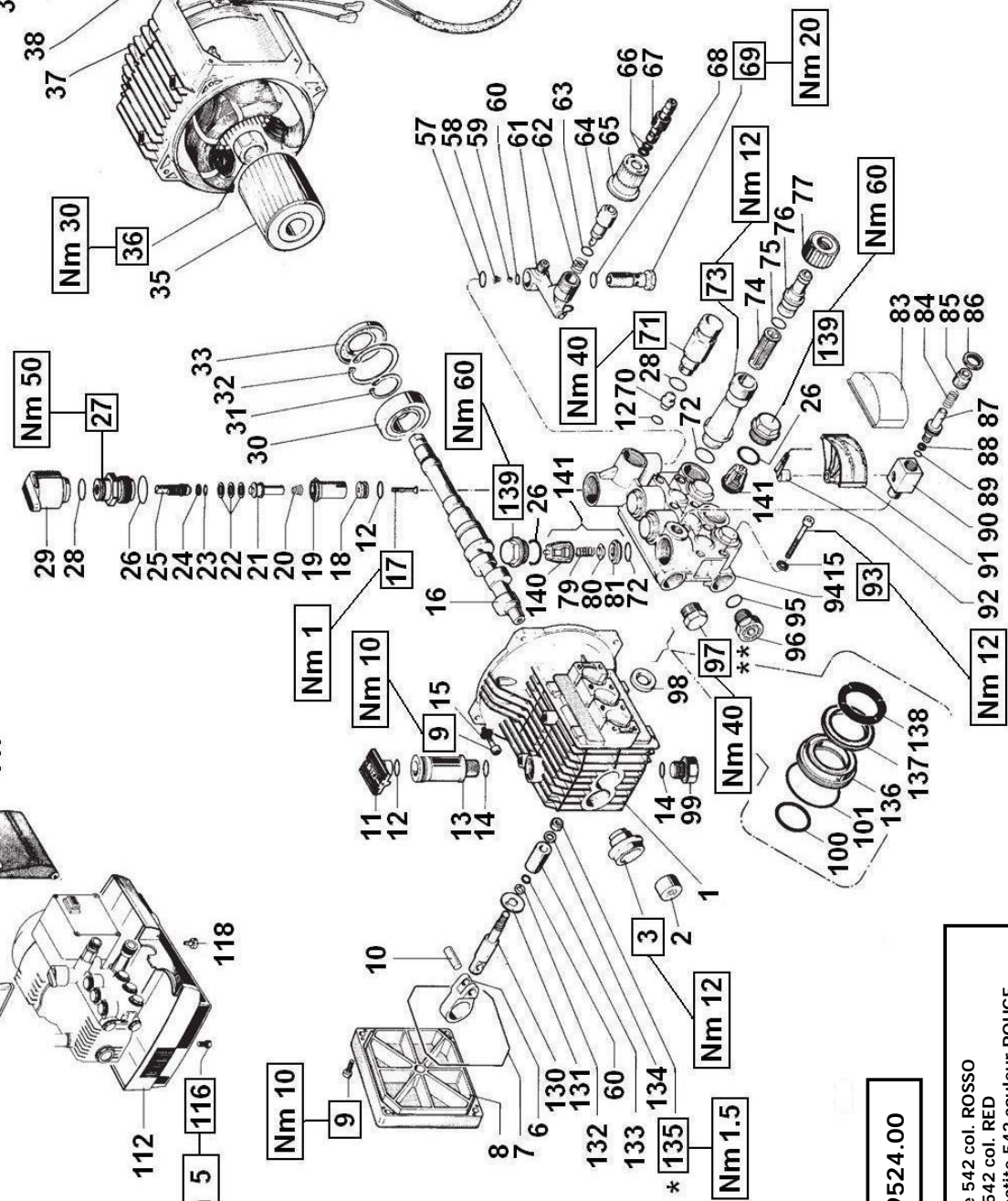
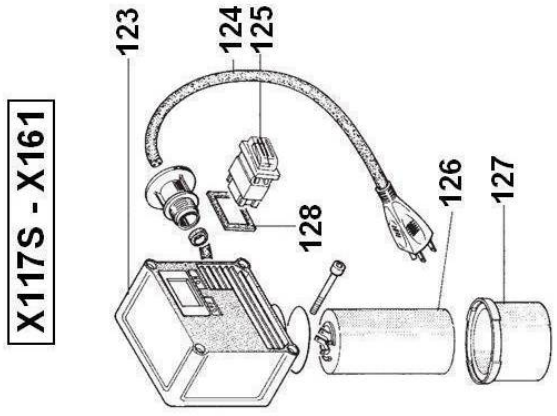
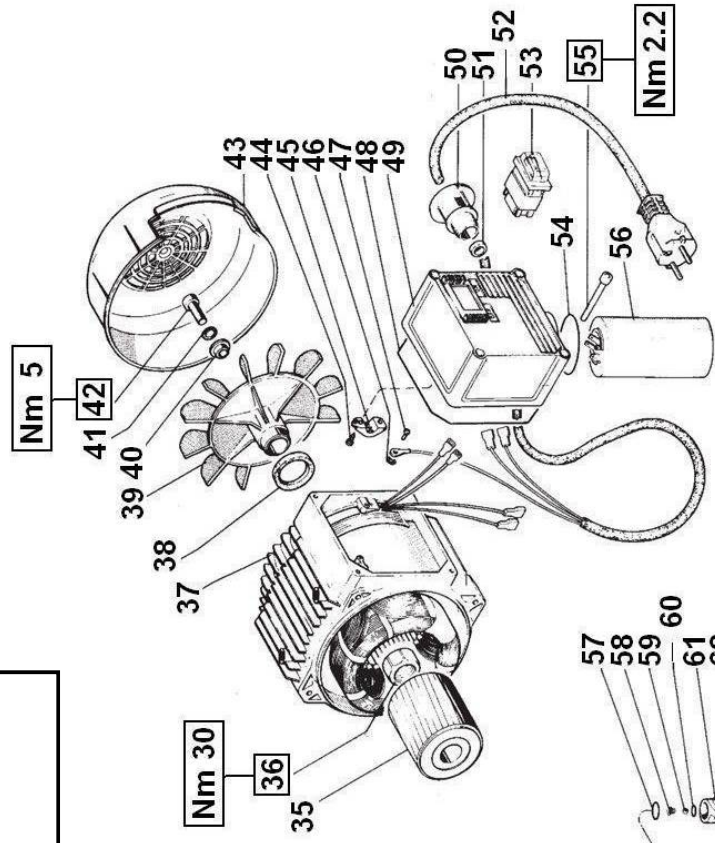
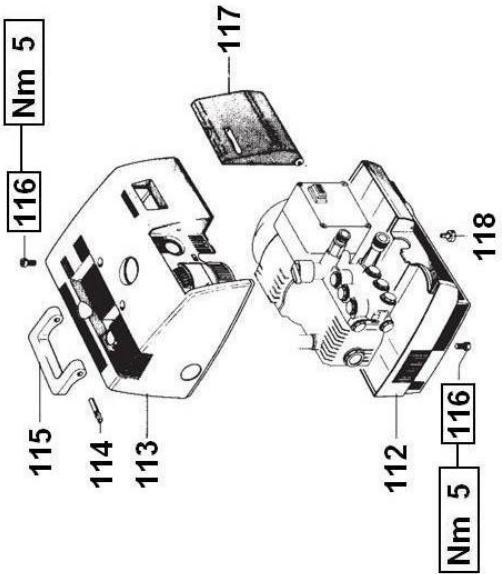
KIT Nr.	KIT 1	KIT 83	KIT 84	KIT 85	KIT 86	KIT 87	KIT 94	KIT 120
Posizioni incluse Positions included	72 - 79 80 - 81 140 (141)	98	26 - 139	100 - 101 136 - 137 138	100 - 101 136	100 - 101 137 - 138	12 - 28 - 57 58 - 59 - 60 62 - 63 - 66 68	12 - 17 18 - 19 20 - 21 22
Nr. Pcs.	6	3	6	1	3	3	1	1

POS	COD.	DESCRIZIONE - DESCRIPTION - KIT	NR
135	92.2216.00	Dado M8x13x15	3
136	51.0800.70	Anello di fondo D. 15	85-86
137	90.2618.00	Anello ten. alt. D. 15x25x5/3.1	85-87
138	51.1000.51	Anello di testa D. 15	85-87
139	98.2218.00	Tappo M24x1.5x11	84
140	36.2002.51	Guida valvola	1
141	36.7032.01	Gr. valvola aspiraz./mandata	1
142	55.2308.01	Carenatura fissa completa di manico	1
143	99.1474.00	Vite D. 4.8x13.0	1
144	98.1924.00	Tappo D. 7	3
145	55.2353.51	Piastrina per interruttore	1
146	55.2410.51	Assale	1
147	55.2413.01	Ruota completa	2
148	55.2307.51	Carenatura mobile	1
149	99.3039.00	Vite M8x16 UNI 5931	4





FORMULA

* Fissare con Loctite 270 col. VERDE
 * Affix with Loctite 270 col. GREEN
 * Fixer avec de la Loctite 270 couleur VERT
 * Mit Loctite 270 GRÜN befestigen
 * Fijar con Loctite 270 col. VERDE



DIS. COD. 55.9524.00

** Fissare con Loctite 542 col. ROSSO
 ** Affix with Loctite 542 col. RED
 ** Fixer avec de la Loctite 542 couleur ROUGE
 ** Mit Loctite 542 ROT befestigen
 ** Fijar con Loctite 542 col. ROJO
 ** Fixar com Loctite 542 cor. VERMELHA

**FORMULA X230 FORMULA F122 FORMULA X220S
FORMULA X117S FORMULA F124 FORMULA X240S
FORMULA X161**



KIT RICAMBI – SPARE KITS

KIT Nr.	KIT 1	KIT 83	KIT 84	KIT 85	KIT 86	KIT 87	KIT 94	KIT 120
Posizioni incluse Positions included	72 - 79 80 - 81 140 (141)	98	26 - 139	100 - 101 136 - 137 138	100 - 101 136	100 - 101 137 - 138	12 - 28 - 57 58 - 59 - 60 62 - 63 - 66 68	12 - 17 18 - 19 20 - 21 22
Nr. Pes.	6	3	6	1	3	3	1	1

POS	COD.	DESCRIZIONE – DESCRIPTION - KIT	NR
1	55.0100.22	Carter pompa	1
2	91.8014.00	Boccola a rullini	1
3	97.5968.00	Spia livello olio G 3/4"	1
6	51.0300.22	Biella	3
7	90.3917.00	OR D. 88.57x2.62 NBR SH.70 3350	1
8	55.1600.51	Coperchio posteriore carter	1
9	99.1897.00	Vite M6x25 UNI 5931	8
10	97.7310.00	Spinotto D 8x24.5	3
11	55.2110.51	Tappo carico olio	1
12	90.3822.00	OR D. 9.92x2.62 NBR SH.70 112 94-120	3
13	55.2098.51	Prolunga tappo carico olio	1
14	90.3833.00	OR D. 13.95x2.62 NBR SH.70 3056	2
15	96.6938.00	Rosetta D. 6.4x10.0x0.7	12
16	55.0205.35	Albero ecc. C.5.3 - F122 F124	1
	55.0200.35	Albero ecc. C.6 - X220S X240S	
	55.0203.35	Albero ecc. C.9.4 - X117S X161 X230	
17	36.3196.66	Valvola	120
18	36.3197.66	Sede valvola	120
19	36.3195.51	Distanziale p er valvola	120
20	94.8220.00	Molla conica Dm. 5.15/8.35x10	120
21	36.3194.70	Pistoncino di comando	120
22	92.7705.00	Fascia elastica D. 17	120
23	90.3577.00	OR D. 7.66x1.78 NBR SH.70 2031	1
24	90.5033.00	Anello antiest. D. 8.0x11.0x1.5	1
25	36.3192.70	Vite di regolazione valvola	1
26	90.3847.00	OR D. 20.24x2.62 NBR SH.70 3081 84	7
27	36.3193.70	Boccola di guida	1
28	90.3832.00	OR D. 13.95x2.62 NBR SH.70 3037 94	2

POS	COD.	DESCRIZIONE – DESCRIPTION - KIT	NR
29	36.3191.51	Pomolo regolazione valvola	1
30	91.8373.00	Cuscinetto a sfere	1
31	90.0667.00	Anello d'arresto A30 UNI 7435	1
32	90.0850.00	Anello d'arresto J62 UNI 7437	1
33	90.1650.00	Anello rad. D. 30.0x62.0x7.0	1
35	40.3360.02	Rotore 1.4 CV - F122 F124 X220S X240S	1
	40.3370.02	Rotore 1.4 CV - X117S X161 X230	
36	92.2660.00	Dado M22 per fissaggio motore	1
	40.3260.02	Statore 1.4 CV Mon. 220V - F122 X220S	
	40.3261.02	Statore 1.4 CV Mon. 240V - F124 X240S	
37	40.3270.02	Statore 1.4 CV Mon. 115V - X117S	1
	40.3250.02	Statore 1.2 CV Mon. 100V - X161	
	40.3271.02	Statore 1.4 CV Mon. 203V - X230	
38	90.1632.00	Anello di tenuta	1
39	45.0300.51	Ventola motore	1
40	45.2125.70	Piattello ventola	1
41	96.7014.00	Rosetta D. 8.4x13.0x0.8	1
42	99.3059.00	Vite M8x20 UNI 5931	1
43	45.0400.51	Copriventola	1
44	99.1450.00	Vite D. 4.2x16	2
45	45.2119.51	Morsetto cavo elettrico	1
46	96.6913.00	Rosetta D. 5.3x9.0x0.6	1
47	99.1515.00	Vite M5.3x9x0.6	1
48	90.3920.00	OR D. 101.27x2.62 NBR SH.70 3400	1
49	45.2103.51	Copribasetta	1
50	45.2127.51	Pressacavo	1
51	45.2121.47	Gommino per pressacavo	1
52	10.7254.01	Cavo 5.5 m. - EU - X220S F122	1
	10.6087.01	Cavo 5.8 m. - BRA - X230	
	10.6077.01	Cavo 5.8 m. - GB - X240S F124	
	10.6075.01	Cavo 3.0 m. - ARG - X220S	
	10.7186.01	Cavo 3.0 m. - AUS - X220S X240S	

POS	COD.	DESCRIZIONE – DESCRIPTION - KIT	NR
53	93.5042.00	Interruttore	1
54	90.3889.00	OR D. 48.89x2.62 NBR SH.70 3193	1
55	99.1705.00	Vite M5x65 UNI 5931	4
56	93.5632.00	Condensatore 30 µF	1
57	90.3582.00	OR D. 9.25x1.78 NBR SH.70 2037 94	1
58	94.8217.00	Molla conica D. 4.3x7.3x11	94
59	97.4782.00	Sfera 7/32"	94
60	90.3572.00	OR D. 5.28x1.78 NBR SH.70 2021 94	4
61	36.3181.51	Corpo dosatore	1
62	94.7383.00	Molla Dm. 9.75x10	94
63	90.3580.00	OR D. 8.83x1.78 NBR SH.70 108 94	1
64	36.2564.70	Otturatore	1
65	36.2565.51	Pomolo regolazione deterivo	1
66	90.3570.00	OR D. 4.48x1.78 NBR SH.70 2018 94	2
67	36.2566.70	Innesto portagomma	1
68	90.3585.00	OR D. 10.82x1.78 NBR SH.70 2043 94	1
69	36.2563.70	Sede valvola	1
70	10.0437.70	Ugello 1.6 - F122 F124	1
	10.0307.51	Ugello 1.8 - X220S X240S X117S X161 X230	
71	10.0147.70	Nipplo M22x1.5	1
72	90.3841.00	OR D. 17.13x2.62 NBR SH.70 3068 1	7
73	36.3182.51	Nipplo aspirazione G 3/4"	1
74	92.8925.00	Filtro D. 12x35	1
75	90.3828.00	OR D. 12.37x2.62 NBR SH.70 3050	1
76	36.2569.51	Portagomma aspirazione	1
77	92.9828.00	Ghiera G 3/4"	1
79	94.7376.00	Molla Dm. 9.4x15.0	1
80	36.2001.76	Valvola	1
81	36.2003.66	Sede valvola	1

	
FORMULA X230 FORMULA F122 FORMULA X220S FORMULA X117S FORMULA F124 FORMULA X240S FORMULA X161	

POS	COD.	DESCRIZIONE - DESCRIPTION - KIT	NR
83	10.0415.51	Coperchio manometro	1
84	94.7338.00	Molla Dm. 7.2x18.0	1
85	36.2580.70	Vite di regolazione	1
86	92.2492.00	Dado M14x1x17x3	1
87	36.2589.70	Pistoncino	1
88	90.5004.00	Anello antiest. D. 3.2x6.0x1.5	1
89	90.3567.00	OR D. 2.90x1.78 NBR SH.70 2012	1
90	10.0438.70	Corpo manometro	1
91	10.0439.01	Gr. quadrante	1
92	10.0419.01	Gr. indicatore	1
93	99.1943.00	Vite M6x40 UNI 5931	8
94	55.1201.22	Testata pompa D.15	1
95	90.3591.00	OR D. 14x1.78 NBR SH.70 2056	1
96	98.2090.00	Tappo G 3/8"x13	1
97	98.2100.00	Tappo G 3/8"x13	1
98	90.1565.00	Anello rad. D. 15.0x24.0x5.0	83
99	98.2100.50	Tappo G 3/8"x13 TE22 Zinc.	1
100	90.3835.00	OR D. 15.08x2.62 NBR SH.70 119 85-86-87	3
101	90.3604.00	OR D. 25.12x1.78 NBR SH.70 2100 85-86-87	3
112	55.2312.51	Carenatura inferiore	1
113	55.2313.51	Carenatura superiore	1
114	55.2404.51	Perno per maniglia	1
115	55.2418.51	Maniglia	1
116	99.3039.00	Vite M8x16 UNI 5931	8
117	55.2419.51	Coperchio carenatura	1
118	98.1924.00	Tappo D. 7	3
123	45.2124.51	Copribasetta autoest.	1
124	10.7187.01	Cavo 2.5 m. - USA - X117S X161	1
125	93.5028.00	Interruttore con protettore termico	1

KIT RICAMBI - SPARE KITS

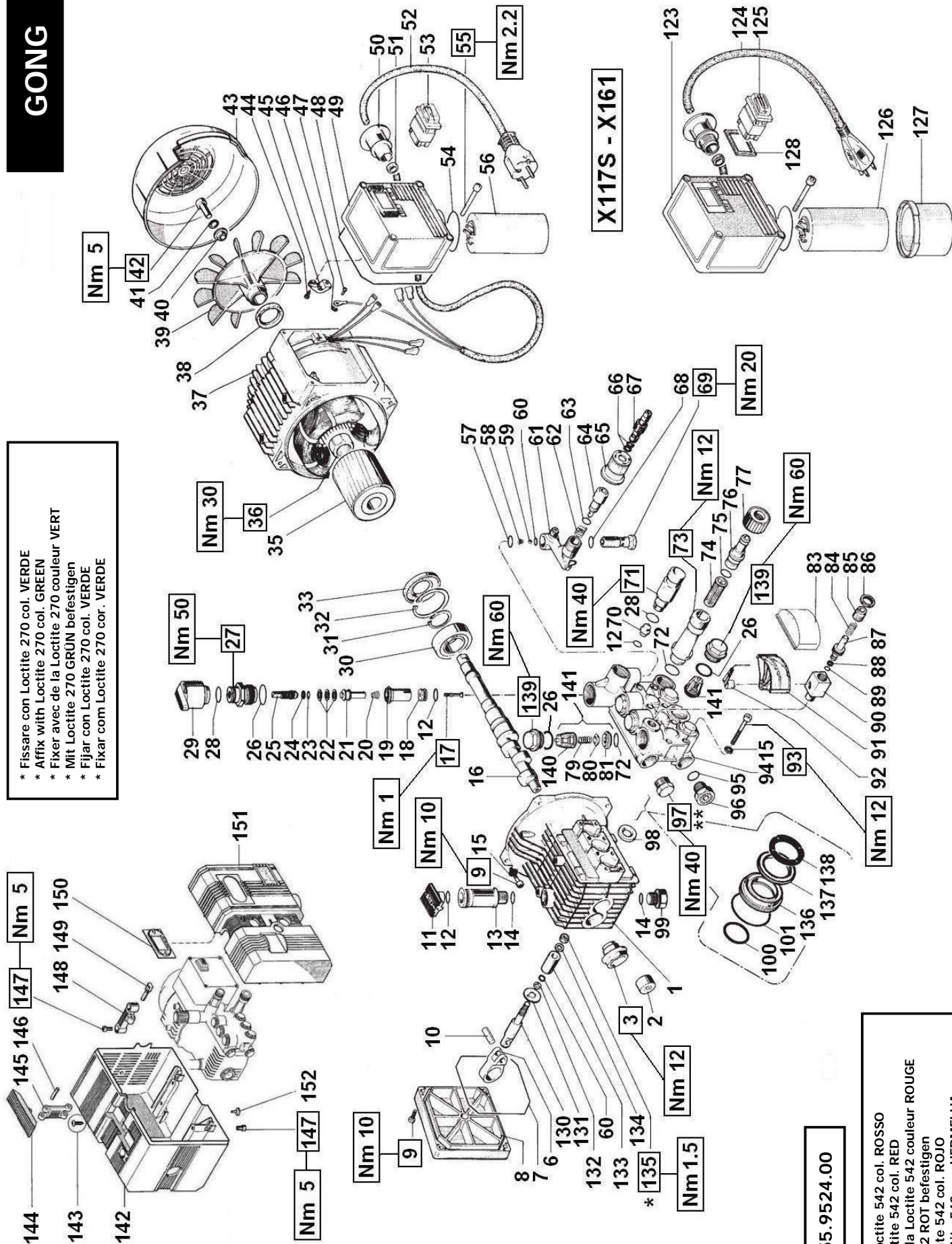
KIT Nr.	KIT 1	KIT 83	KIT 84	KIT 85	KIT 86	KIT 87	KIT 94	KIT 120
Posizioni incluse Positions included	72 - 79 80 - 81 140 (141)	98	26 - 139	100 - 101 136 - 137 138	100 - 101 136	100 - 101 137 - 138	12 - 28 - 57 58 - 59 - 60 62 - 63 - 66 68	12 - 17 18 - 19 20 - 21 22
Nr. Pes.	6	3	6	1	3	3	1	1

POS	COD.	DESCRIZIONE - DESCRIPTION - KIT	NR
126	93.5688.00	Condensatore 80 µF	1
127	45.2120.51	Cappello prot. condensatore	1
128	41.2126.84	Guarnizione per interruttore	1
130	51.0500.56	Guida per pistone	3
131	96.7070.00	Rosetta D. 9.0x23.0x0.5	3
132	90.5022.00	Anello antiest. D. 6.2x9.0x1.5	3
133	51.0400.09	Pistone D. 15x25	3
134	96.7008.00	Rosetta D. 8.0x13.0x1.0	3
135	92.2216.00	Dado M8x13x15	3
136	51.0800.70	Anello di fondo D. 15	85-86
137	90.2618.00	Anello ten. alt. D. 15x25x5/3.1	85-87
138	51.1000.51	Anello di testa D. 15	85-87
139	98.2218.00	Tappo M24x1.5x11	84
140	36.2002.51	Guida valvola	1
141	36.7032.01	Gr. valvola aspiraz./mandata	1




GONG

* Fissare con Loctite 270 col. VERDE
 * Affix with Loctite 270 col. GREEN
 * Fixer avec de la Loctite 270 couleur VERT
 * Mit Loctite 270 GRÜN befestigen
 * Fijar con Loctite 270 col. VERDE




DIS. COD. 55.9524.00

** Fissare con Loctite 542 col. ROSSO
 ** Affix with Loctite 542 col. RED
 ** Fixer avec de la Loctite 542 couleur ROUGE
 ** Mit Loctite 542 ROT befestigen
 ** Fijar con Loctite 542 col. ROJO
 ** Fixar com Loctite 542 cor. VERMELHA



**GONG X230 GONG F122 GONG X220S
GONG X117S GONG F124 GONG X240S
GONG X161**



POS	COD.	DESCRIZIONE - DESCRIPTION - KIT	NR
1	55.0100.22	Carter pompa	1
2	91.8014.00	Boccola a rullini	1
3	97.5968.00	Spia livello olio G 3/4"	1
6	51.0300.22	Biella	3
7	90.3917.00	OR D. 88.57x2.62 NBR SH.70 3350	1
8	55.1600.51	Coperchio posteriore carter	1
9	99.1897.00	Vite M6x25 UNI 5931	8
10	97.7310.00	Spinotto D 8x24.5	3
11	55.2110.51	Tappo carico olio	1
12	90.3822.00	OR D. 9.92x2.62 NBR SH.70 112	3
13	55.2098.51	Prolunga tappo carico olio	1
14	90.3833.00	OR D. 13.95x2.62 NBR SH.70 3056	2
15	96.6938.00	Rosetta D. 6.4x10.0x0.7	12
16	55.0205.35	Albero ecc. C.5.3 - F122 F124	1
	55.0200.35	Albero ecc. C.6 - X220S X240S	
	55.0203.35	Albero ecc. C.9.4 - X117S X161 X230	
17	36.3196.66	Valvola	120
18	36.3197.66	Sede valvola	120
19	36.3195.51	Distanziale p er valvola	120
20	94.8220.00	Molla conica Dm. 5.15/8.35x10	120
21	36.3194.70	Pistoncino di comando	120
22	92.7705.00	Fascia elastica D. 17	120
23	90.3577.00	OR D. 7.66x1.78 NBR SH.70 2031	1
24	90.5033.00	Anello antiest. D. 8.0x11.0x1.5	1
25	36.3192.70	Vite di regolazione valvola	1
26	90.3847.00	OR D. 20.24x2.62 NBR SH.70 3081 84	7
27	36.3193.70	Boccola di guida	1
28	90.3832.00	OR D. 13.95x2.62 NBR SH.70 3037 94	2

KIT RICAMBI - SPARE KITS

KIT Nr.	KIT 1	KIT 83	KIT 84	KIT 85	KIT 86	KIT 87	KIT 94	KIT 120
Posizioni incluse Positions included	72 - 79 80 - 81 140 (141)	98	26 - 139	100 - 101 136 - 137 138	100 - 101 136	100 - 101 137 - 138	12 - 28 - 57 58 - 59 - 60 62 - 63 - 66 68	12 - 17 18 - 19 20 - 21 22
Nr. Pes.	6	3	6	1	3	3	1	1

POS	COD.	DESCRIZIONE - DESCRIPTION - KIT	NR
29	36.3191.51	Pomolo regolazione valvola	1
30	91.8373.00	Cuscinetto a sfere	1
31	90.0667.00	Anello d'arresto A30 UNI 7435	1
32	90.0850.00	Anello d'arresto J62 UNI 7437	1
33	90.1650.00	Anello rad. D. 30.0x62.0x7.0	1
35	40.3360.02	Rotore 1.4 CV - F122 F124 X220S X240S	1
	40.3370.02	Rotore 1.4 CV - X117S X161 X230	
36	92.2660.00	Dado M22 per fissaggio motore	1
	40.3260.02	Statore 1.4 CV Mon. 220V - F122 X220S	
	40.3261.02	Statore 1.4 CV Mon. 240V - F124 X240S	
37	40.3270.02	Statore 1.4 CV Mon. 115V - X117S	1
	40.3250.02	Statore 1.2 CV Mon. 100V - X161	
	40.3271.02	Statore 1.4 CV Mon. 203V - X230	
38	90.1632.00	Anello di tenuta	1
39	45.0300.51	Ventola motore	1
40	45.2125.70	Piattello ventola	1
41	96.7014.00	Rosetta D. 8.4x13.0x0.8	1
42	99.3059.00	Vite M8x20 UNI 5931	1
43	45.0400.51	Copriventola	1
44	99.1450.00	Vite D. 4.2x16	2
45	45.2119.51	Morsetto cavo elettrico	1
46	96.6913.00	Rosetta D. 5.3x9.0x0.6	1
47	99.1515.00	Vite M5.3x9x0.6	1
48	90.3920.00	OR D. 101.27x2.62 NBR SH.70 3400	1
49	45.2103.51	Copribasetta	1
50	45.2127.51	Pressacavo	1
51	45.2121.47	Gommino per pressacavo	1
52	10.7254.01	Cavo 5.5 m. - EU - X220S F122	1
	10.6087.01	Cavo 5.8 m. - BRA - X230	
	10.6077.01	Cavo 5.8 m. - GB - X240S F124	
	10.6075.01	Cavo 3.0 m. - ARG - X220S	
	10.7186.01	Cavo 3.0 m. - AUS - X220S X240S	
53	93.5042.00	Interruttore	1
54	90.3889.00	OR D. 48.89x2.62 NBR SH.70 3193	1
55	99.1705.00	Vite M5x65 UNI 5931	4
56	93.5632.00	Condensatore 30 µF	1
57	90.3582.00	OR D. 9.25x1.78 NBR SH.70 2037	94
58	94.8217.00	Molla conica D. 4.3x7.3x11	94
59	97.4782.00	Sfera 7/32"	94
60	90.3572.00	OR D. 5.28x1.78 NBR SH.70 2021	94
61	36.3181.51	Corpo dosatore	1
62	94.7383.00	Molla Dm. 9.75x10	94
63	90.3580.00	OR D. 8.83x1.78 NBR SH.70 108	94
64	36.2564.70	Otturatore	1
65	36.2565.51	Pomolo regolazione deterivo	1
66	90.3570.00	OR D. 4.48x1.78 NBR SH.70 2018	94
67	36.2566.70	Innesto portagomma	1
68	90.3585.00	OR D. 10.82x1.78 NBR SH.70 2043	94
69	36.2563.70	Sede valvola	1
70	10.0437.70	Ugello 1.6 - F122 F124	1
	10.0307.51	Ugello 1.8 - X220S X240S X117S X161 X230	
71	10.0147.70	Nipplo M22x1.5	1
72	90.3841.00	OR D. 17.13x2.62 NBR SH.70 3068	7
73	36.3182.51	Nipplo aspirazione G 3/4"	1
74	92.8925.00	Filtro D. 12x35	1
75	90.3828.00	OR D. 12.37x2.62 NBR SH.70 3050	1
76	36.2569.51	Portagomma aspirazione	1
77	92.9828.00	Ghiera G 3/4"	1
79	94.7376.00	Molla Dm. 9.4x15.0	1
80	36.2001.76	Valvola	1
81	36.2003.66	Sede valvola	1



**GONG X230 GONG F122 GONG X220S
GONG X117S GONG F124 GONG X240S
GONG X161**

POS	COD.	DESCRIZIONE - DESCRIPTION - KIT	NR
83	10.0415.51	Coperchio manometro	1
84	94.7338.00	Molla Dm. 7.2x18.0	1
85	36.2580.70	Vite di regolazione	1
86	92.2492.00	Dado M14x1x17x3	1
87	36.2589.70	Pistoncino	1
88	90.5004.00	Anello antiest. D. 3.2x6.0x1.5	1
89	90.3567.00	OR D. 2.90x1.78 NBR SH.70 2012	1
90	10.0438.70	Corpo manometro	1
91	10.0439.01	Gr. quadrante	1
92	10.0419.01	Gr. indicatore	1
93	99.1943.00	Vite M6x40 UNI 5931	8
94	55.1201.22	Testata pompa D.15	1
95	90.3591.00	OR D. 14x1.78 NBR SH.70 2056	1
96	98.2090.00	Tappo G 3/8"x13	1
97	98.2100.00	Tappo G 3/8"x13	1
98	90.1565.00	Anello rad. D. 15.0x24.0x5.0	83
99	98.2100.50	Tappo G 3/8"x13 TE22 Zinc.	1
100	90.3835.00	OR D. 15.08x2.62 NBR SH.70 119 85-86-87	3
101	90.3604.00	OR D. 25.12x1.78 NBR SH.70 2100 85-86-87	3
123	45.2124.51	Copribasetta autoest.	1
124	10.7187.01	Cavo 2.5 m. - USA - X117S X161	1
125	93.5028.00	Interruttore con protettore termico	1
126	93.5688.00	Condensatore 80 µF	1
127	45.2120.51	Cappello prot. condensatore	1
128	41.2126.84	Guarnizione per interruttore	1
130	51.0500.56	Guida per pistone	3
131	96.7070.00	Rosetta D. 9.0x23.0x0.5	3
132	90.5022.00	Anello antiest. D. 6.2x9.0x1.5	3
133	51.0400.09	Pistone D. 15x25	3

KIT RICAMBI - SPARE KITS

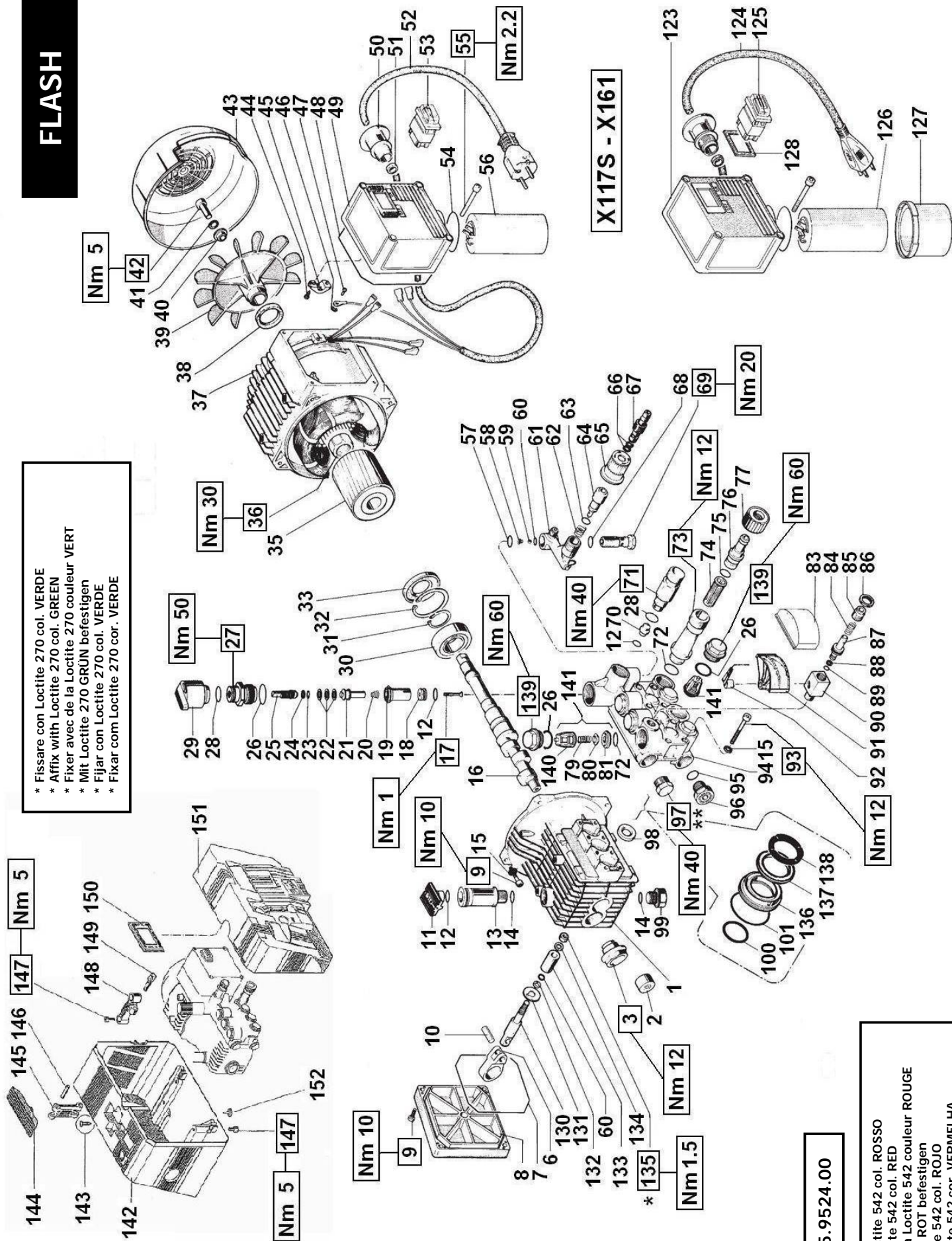
KIT Nr.	KIT 1	KIT 83	KIT 84	KIT 85	KIT 86	KIT 87	KIT 94	KIT 120
Posizioni incluse Positions included	72 - 79 80 - 81 140 (141)	98	26 - 139	100 - 101 136 - 137 138	100 - 101 136	100 - 101 137 - 138	12 - 28 - 57 58 - 59 - 60 62 - 63 - 66 68	12 - 17 18 - 19 20 - 21 22
Nr. Pes.	6	3	6	1	3	3	1	1

POS	COD.	DESCRIZIONE - DESCRIPTION - KIT	NR
134	96.7008.00	Rosetta D. 8.0x13.0x1.0	3
135	92.2216.00	Dado M8x13x15	3
136	51.0800.70	Anello di fondo D. 15	85-86
137	90.2618.00	Anello ten. alt. D. 15x25x5/3.1	85-87
138	51.1000.51	Anello di testa D. 15	85-87
139	98.2218.00	Tappo M24x1.5x11	84
140	36.2002.51	Guida valvola	1
141	36.7032.01	Gr. valvola aspiraz./mandata	1
142	55.2300.51	Carenatura fissa	1
143	99.1474.00	Vite D. 4.8x13 7049	1
144	55.2400.51	Maniglia	1
145	55.2401.51	Braccio per maniglia	1
146	97.6200.00	Spina per maniglia D. 8.5x34.0	1
147	99.3039.00	Vite M8x16 5931	6
148	55.2402.51	Staffa per maniglia	1
149	55.2404.51	Perno per maniglia	1
150	55.2350.51	Piastrina interruttore	1
151	55.2301.51	Carenatura mobile	1
152	98.1924.00	Tappo per foro D. 7	4



FLASH

* Fissare con Loctite 270 col. VERDE
 * Affix with Loctite 270 col. GREEN
 * Fixer avec de la Loctite 270 couleur VERT
 * Mit Loctite 270 GRÜN befestigen
 * Fijar con Loctite 270 col. VERDE



DIS. COD. 55.9524.00

** Fissare con Loctite 542 col. ROSSO
 ** Affix with Loctite 542 col. RED
 ** Fixer avec de la Loctite 542 couleur ROUGE
 ** Mit Loctite 542 ROT befestigen
 ** Fijar con Loctite 542 col. ROJO
 ** Fixar com Loctite 542 cor. VERMELHA



**FLASH X230 FLASH F122 FLASH X220S
FLASH X117S FLASH F124 FLASH X240S
FLASH X161**

POS	COD.	DESCRIZIONE - DESCRIPTION - KIT	NR
1	55.0100.22	Carter pompa	1
2	91.8014.00	Boccola a rullini	1
3	97.5968.00	Spia livello olio G 3/4"	1
6	51.0300.22	Biella	3
7	90.3917.00	OR D. 88.57x2.62 NBR SH.70 3350	1
8	55.1600.51	Coperchio posteriore carter	1
9	99.1897.00	Vite M6x25 UNI 5931	8
10	97.7310.00	Spinotto D 8x24.5	3
11	55.2110.51	Tappo carico olio	1
12	90.3822.00	OR D. 9.92x2.62 NBR SH.70 112 94-120	3
13	55.2098.51	Prolunga tappo carico olio	1
14	90.3833.00	OR D. 13.95x2.62 NBR SH.70 3056	2
15	96.6938.00	Rosetta D. 6.4x10.0x0.7	12
16	55.0205.35	Albero ecc. C.5.3 - F122 F124	1
	55.0200.35	Albero ecc. C.6 - X220S X240S	
	55.0203.35	Albero ecc. C.9.4 - X117S X161 X230	
17	36.3196.66	Valvola	120
18	36.3197.66	Sede valvola	120
19	36.3195.51	Distanziale p er valvola	120
20	94.8220.00	Molla conica Dm. 5.15/8.35x10	120
21	36.3194.70	Pistoncino di comando	120
22	92.7705.00	Fascia elastica D. 17	120
23	90.3577.00	OR D. 7.66x1.78 NBR SH.70 2031	1
24	90.5033.00	Anello antiest. D. 8.0x11.0x1.5	1
25	36.3192.70	Vite di regolazione valvola	1
26	90.3847.00	OR D. 20.24x2.62 NBR SH.70 3081 84	7
27	36.3193.70	Boccola di guida	1
28	90.3832.00	OR D. 13.95x2.62 NBR SH.70 3037 94	2

KIT RICAMBI - SPARE KITS

KIT Nr.	KIT 1	KIT 83	KIT 84	KIT 85	KIT 86	KIT 87	KIT 89	KIT 120
Posizioni include Positions included	72 - 79 80 - 81 140 (141)	98	26 - 139	100 - 101 136 - 137 138	100 - 101 136	100 - 101 137 - 138	12 - 28 - 57 58 - 59 - 60 62 - 63 - 66 68	12 - 17 18 - 19 20 - 21 22
Nr. Pes.	6	3	6	1	3	3	1	1

POS	COD.	DESCRIZIONE - DESCRIPTION - KIT	NR
29	36.3191.51	Pomolo regolazione valvola	1
30	91.8373.00	Cuscinetto a sfere	1
31	90.0667.00	Anello d'arresto A30 UNI 7435	1
32	90.0850.00	Anello d'arresto J62 UNI 7437	1
33	90.1650.00	Anello rad. D. 30.0x62.0x7.0	1
35	40.3360.02	Rotore 1.4 CV - F122 F124 X220S X240S	1
40	40.3370.02	Rotore 1.4 CV - X117S X161 X230	1
36	92.2660.00	Dado M22 per fissaggio motore	1
	40.3260.02	Statore 1.4 CV Mon. 220V - F122 X220S	
	40.3261.02	Statore 1.4 CV Mon. 240V - F124 X240S	
37	40.3270.02	Statore 1.4 CV Mon. 115V - X117S	1
	40.3250.02	Statore 1.2 CV Mon. 100V - X161	
	40.3271.02	Statore 1.4 CV Mon. 203V - X230	
38	90.1632.00	Anello di tenuta	1
39	45.0300.51	Ventola motore	1
40	45.2125.70	Piattello ventola	1
41	96.7014.00	Rosetta D. 8.4x13.0x0.8	1
42	99.3059.00	Vite M8x20 UNI 5931	1
43	45.0400.51	Copriventola	1
44	99.1450.00	Vite D. 4.2x16	2
45	45.2119.51	Morsetto cavo elettrico	1
46	96.6913.00	Rosetta D. 5.3x9.0x0.6	1
47	99.1515.00	Vite M5.3x9x0.6	1
48	90.3920.00	OR D. 101.27x2.62 NBR SH.70 3400	1
49	45.2103.51	Copribasetta	1
50	45.2127.51	Pressacavo	1
51	45.2121.47	Gommino per pressacavo	1
52	10.7254.01	Cavo 5.5 m. - EU - X220S F122	1
	10.6087.01	Cavo 5.8 m. - BRA - X230	
	10.6077.01	Cavo 5.8 m. - GB - X240S F124	
	10.6075.01	Cavo 3.0 m. - ARG - X220S	
	10.7186.01	Cavo 3.0 m. - AUS - X220S X240S	



**FLASH X230 FLASH F122 FLASH X220S
FLASH X117S FLASH F124 FLASH X240S
FLASH X161**

POS	COD.	DESCRIZIONE - DESCRIPTION - KIT	NR
83	10.0415.51	Coperchio manometro	1
84	94.7338.00	Molla Dm. 7.2x18.0	1
85	36.2580.70	Vite di regolazione	1
86	92.2492.00	Dado M14x1x17x3	1
87	36.2589.70	Pistoncino	1
88	90.5004.00	Anello antiest. D. 3.2x6.0x1.5	1
89	90.3567.00	OR D. 2.90x1.78 NBR SH.70 2012	1
90	10.0438.70	Corpo manometro	1
91	10.0439.01	Gr. quadrante	1
92	10.0419.01	Gr. indicatore	1
93	99.1943.00	Vite M6x40 UNI 5931	8
94	55.1201.22	Testata pompa D.15	1
95	90.3591.00	OR D. 14x1.78 NBR SH.70 2056	1
96	98.2090.00	Tappo G 3/8"x13	1
97	98.2100.00	Tappo G 3/8"x13	1
98	90.1565.00	Anello rad. D. 15.0x24.0x5.0	83
99	98.2100.50	Tappo G 3/8"x13 TE22 Zlnc.	1
100	90.3835.00	OR D. 15.08x2.62 NBR SH.70 119 85-86-87	3
101	90.3604.00	OR D. 25.12x1.78 NBR SH.70 2100 85-86-87	3
123	45.2124.51	Copribasetta autoest.	1
124	10.7187.01	Cavo 2.5 m. - USA - X117S X161	1
125	93.5028.00	Interruttore con protettore termico	1
126	93.5688.00	Condensatore 80 µF	1
127	45.2120.51	Cappello prot. condensatore	1
128	41.2126.84	Guarnizione per interruttore	1
130	51.0500.56	Guida per pistone	3
131	96.7070.00	Rosetta D. 9.0x23.0x0.5	3
132	90.5022.00	Anello antiest. D. 6.2x9.0x1.5	3
133	51.0400.09	Pistone D. 15x25	3

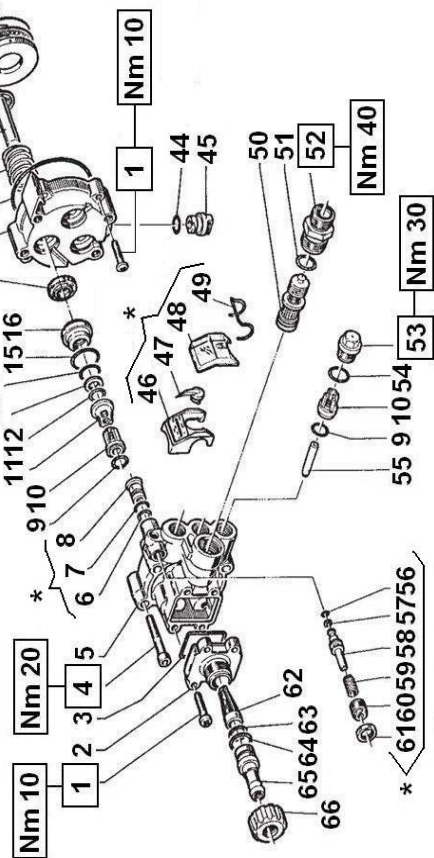
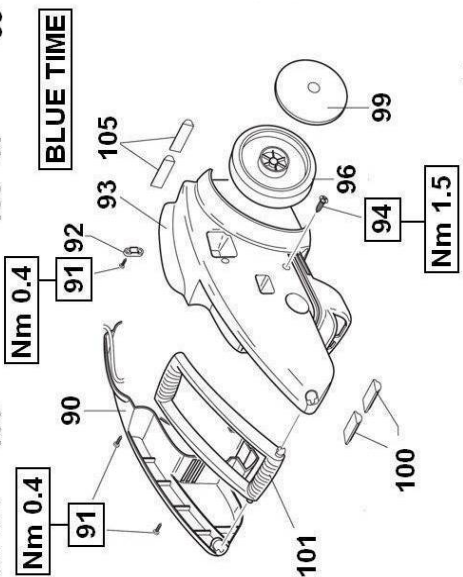
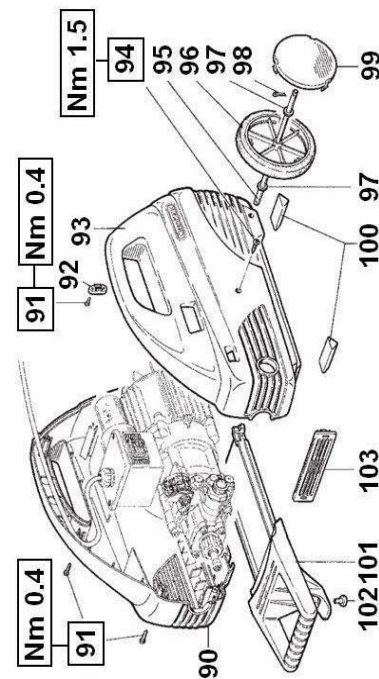
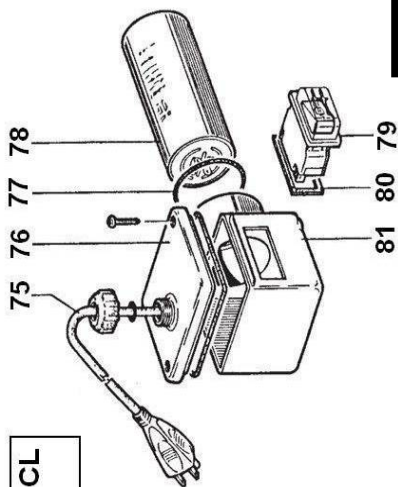
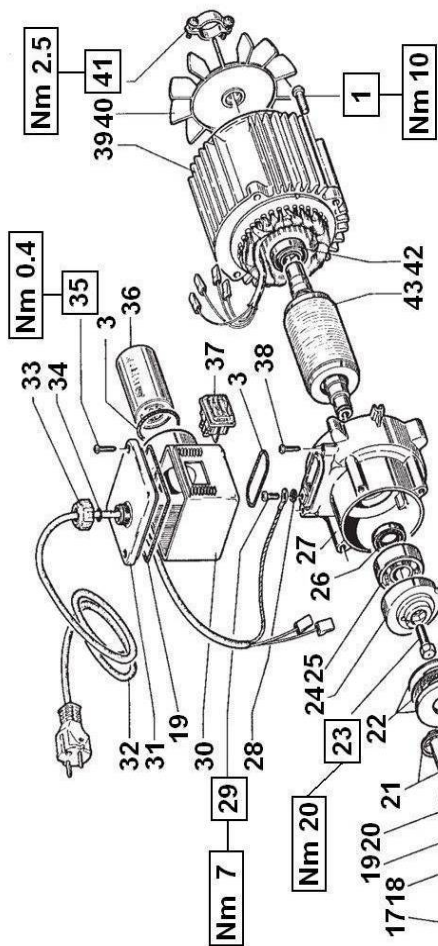
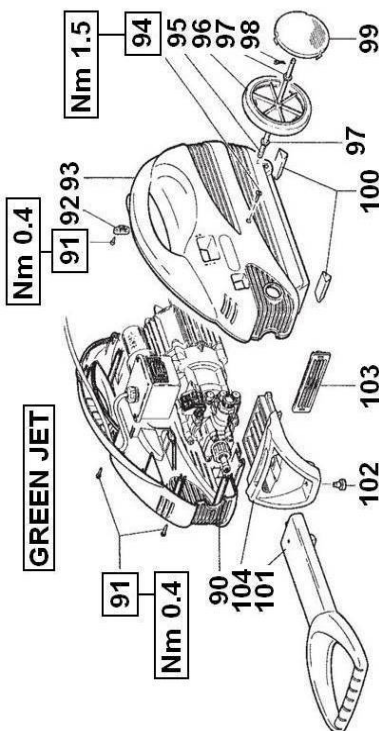
KIT RICAMBI - SPARE KITS

KIT Nr.	KIT 1	KIT 83	KIT 84	KIT 85	KIT 86	KIT 87	KIT 94	KIT 120
Posizioni incluse Positions included	72 - 79 80 - 81 140 (141)	98	26 - 139	100 - 101 136 - 137 138	100 - 101 136	100 - 101 137 - 138	12 - 28 - 57 58 - 59 - 60 62 - 63 - 66 68	12 - 17 18 - 19 20 - 21 22
Nr. Pes.	6	3	6	1	3	3	1	1

POS	COD.	DESCRIZIONE - DESCRIPTION - KIT	NR
134	96.7008.00	Rosetta D. 8.0x13.0x1.0	3
135	92.2216.00	Dado M8x13x15	3
136	51.0800.70	Anello di fondo D. 15	85-86
137	90.2618.00	Anello ten. alt. D. 15x25x5/3.1	85-87
138	51.1000.51	Anello di testa D. 15	85-87
139	98.2218.00	Tappo M24x1.5x11	84
140	36.2002.51	Guida valvola	1
141	36.7032.01	Gr. valvola aspiraz./mandata	1
142	55.2304.51	Carenatura fissa	1
143	99.1474.00	Vite D. 4.8x13 7049	1
144	55.2400.51	Maniglia	1
145	55.2401.51	Braccio per maniglia	1
146	97.6200.00	Spina per maniglia D. 8.5x34.0	1
147	99.3039.00	Vite M8x16 5931	6
148	55.2402.51	Staffa per maniglia	1
149	55.2404.51	Perno per maniglia	1
150	55.2352.51	Piastrina interruttore	1
151	55.2305.51	Carenatura mobile	1
152	98.1924.00	Tappo per foro D. 7	4




GREENJET CLEANMATIC BLUETIME




* Solo per versione con manometro
 * Solo para versión con manómetro
 * Seulement pour version avec manomètre
 * Only for version with pressure gauge
 * Nur für Ausführung mit Manometer
 * Только для версии с манометром
 * Só para versão com manómetro

DIS. COD. 56.9500.00



GREENJET CLEANMATIC BLUETIME
10 11 22 24 26



KIT RICAMBI – SPARE KITS


POS	COD.	DESCRIZIONE – DESCRIPTION - KIT	NR
51	90.3847.00	OR D. 20.24x2.62 NBR SH. 90 3081	1
52	36.3223.70	Nipplo M22x1.5	1
53	98.2135.00	Tappo M18x1.5x10	133
54	90.3593.00	OR D. 15.60x1.78 BR SH. 70 2062	133
55	56.2103.51	Tubetto D. 8x38	3
56	90.3662.00	OR D. 3.00x2.00 NBR SH. 90	1
57	90.5004.00	Anello antiest. D. 3.2x6.0x1.5	1
58	36.2589.70	Pistoncino manometro 90 bar	1
59	94.7338.00	Molla Dm. 7.2x18.0	1
60	36.2580.70	Vite di regolazione manometro	1
61	92.2492.00	Dado M14x1x17x13	1
62	92.8973.00	Filtro D. 17x6x40	1
63	90.3828.00	OR D. 12.37x2.62 NBR SH. 70 3050	1
64	90.3591.00	OR D. 14.00x1.78 NBR SH. 70 2056	1
65	36.2569.51	Portagomma aspirazione	1
66	92.9828.00	Ghiera G 3/4"	1
VERSION – VERSIONE 60 Hz			
75	10.7187.01	Cavo 2.5 m. - USA	1
	10.6059.01	Cavo 10.5 m. - USA	
76	38.2121.51	Coperchio scatola elettrica	1
77	90.3889.00	OR D. 48.89x2.62 NBR SH. 70 3193	1
78	93.5688.00	Condensatore 80 µF	1
79	93.5027.00	Interruttore con protettore termico	1
80	41.2126.84	Guarnizione per interruttore	1
81	38.2124.51	Scatola elettrica autoestinguente	1
CLEANMATIC			
90	56.2310.51	Carenatura sinistra	1
91	99.1312.00	Vite D. 4x18 UNI 7049	9
92	23.0095.51	Fermacavo	1
93	56.2300.51	Carenatura destra	1
94	99.1474.00	Vite D. 4.8x13 UNI 7049	2
95	56.2410.64	Assale	1
96	56.2411.02	Ruota	2
97	96.7017.00	Rosetta D. 8.4x15.0x0.2	4

KIT Nr.	KIT 132	KIT 133	KIT 134	KIT 146	KIT 147
Posizioni include Positions included	50	53 - 54	9 - 10	12 - 13 14 - 15 16	17
Nr. Pcs.	1	4	6	3	3


POS	COD.	DESCRIZIONE – DESCRIPTION - KIT	NR
27	56.0100.22	Carter pompa	1
28	96.6913.00	Rosetta D. 5.3x9.0x0.5	1
29	99.1542.00	Vite M5x12 UNI 8112	1
30	38.2103.51	Scatola elettrica	1
31	38.2120.51	Coperchio scatola elettrica	1
	10.6048.01	Cavo 3.0 m. - EU	
	10.7254.01	Cavo 5.5 m. - EU	
32	10.6055.01	Cavo 3.0 m. - GB	1
	10.7187.01	Cavo 2.5 m. - USA	
33	92.9768.00	Galletto G 1/2"	1
34	90.4026.00	OR D. 7.51x3.53 NBR SH. 70 4028	1
35	99.1312.00	Vite D. 4.2x19 UNI 7049	2
36	93.5628.00	Condensatore 20 µF	1
37	93.5042.00	Interruttore 16A	1
38	99.1542.00	Vite M5x12 UNI 8112	2
	38.3260.02	Statore comp. mono. 230V 50 Hz	
	38.3261.02	Statore comp. mono. 240V 50 Hz	
39	38.3265.02	Statore comp. mono. 100V 60 Hz	1
	38.3266.02	Statore comp. mono. 115V 60 Hz	
	38.3268.02	Statore comp. mono. 208-230V 60 Hz	
40	38.0300.51	Ventola	1
41	38.2118.01	Morsetto per ventola	1
42	91.8040.00	Cuscinetto a sfere	1
43	38.3460.02	Rotore 100-240V 50-60 Hz	1
44	90.4028.00	OR D. 9.12x3.53 NBR SH. 70 4036	1
45	56.2100.51	Tappo D. 14	1
46	36.2590.01	Quadrante	1
47	36.2578.51	Indicatore	1
48	36.2577.51	Coperchio	1
49	94.8718.00	Molla di torsione D. 18	1
50	34.0132.01	Interno completo	132

POS	COD.	DESCRIZIONE – DESCRIPTION - KIT	NR
1	99.1914.00	Vite M6x30 autofilettante	12
2	56.2102.51	Flangia aspirazione	1
3	90.3877.00	OR D. 39.34x2.62 NBR SH. 70 3156	3
4	99.3144.00	Vite M8x50 UNI 5931	4
5	56.1200.22	Testata pompa	1
	56.1201.22	Testata pompa vs. no man. - BL	
6	90.3581.00	OR D. 8.73x1.78 NBR SH. 70 108	1
7	90.3818.00	OR D. 7.59x2.62 NBR SH. 70 3030	1
8	54.2109.70	Cilindro per manometro	1
9	90.3589.00	OR D. 12.42x1.78 NBR SH. 70 2050	6
		134	
10	36.7116.01	Gruppo valvola	6
11	56.2101.51	Distanziale	3
12	90.3827.00	OR D. 11.91x2.62 NBR SH. 70 115	3
		146	
13	90.5073.00	Anello antiest. D. 12x16.5x3	3
14	90.3596.00	OR D. 18.77x1.78 NBR SH. 70 2075	3
		146	
15	90.3857.00	OR D. 23.81x2.62 NBR SH. 70 132	3
		146	
16	56.0800.51	Anello di fondo D. 12	3
17	90.1542.00	Anello rad. D. 12.0x22.0x4.0/6.0	3
18	56.2104.22	Corpo guida pistoni	1
19	90.3916.00	OR D. 82.22x2.62 NBR SH. 70 3325	2
20	94.7564.00	Molla Dm. 25.5x40.0	3
21	56.0401.01	Assieme pistone D. 12	3
22	91.8347.00	Cuscinetto a rulli	1
23	99.3068.00	Vite M8x25 UNI 5739	1
24	56.2107.22	Piatto inclinato - 50 Hz	1
	56.2111.22	Piatto inclinato - 60 Hz	
25	91.8050.00	Cuscinetto a sfere	1
26	90.1614.00	Anello rad. D. 20.0x30.0x5.0	1

KIT RICAMBI – SPARE KITS



GREENJET CLEANMATIC BLUETIME
10 11 22 24 26



KIT Nr.	KIT 132	KIT 133	KIT 134	KIT 146	KIT 147
Posizioni incluse Positions included	50	53 - 54	9 - 10	12 - 13 14 - 15 16	17
Nr. Pcs.	1	4	6	3	3

POS	COD.	DESCRIZIONE – DESCRIPTION - KIT	NR
96	56.2431.51	Ruota	2
99	23.0138.51	Copriruota	2
100	54.2000.82	Piedino	2
101	56.2329.51	Manico	1
105	54.2005.82	Piedino	2

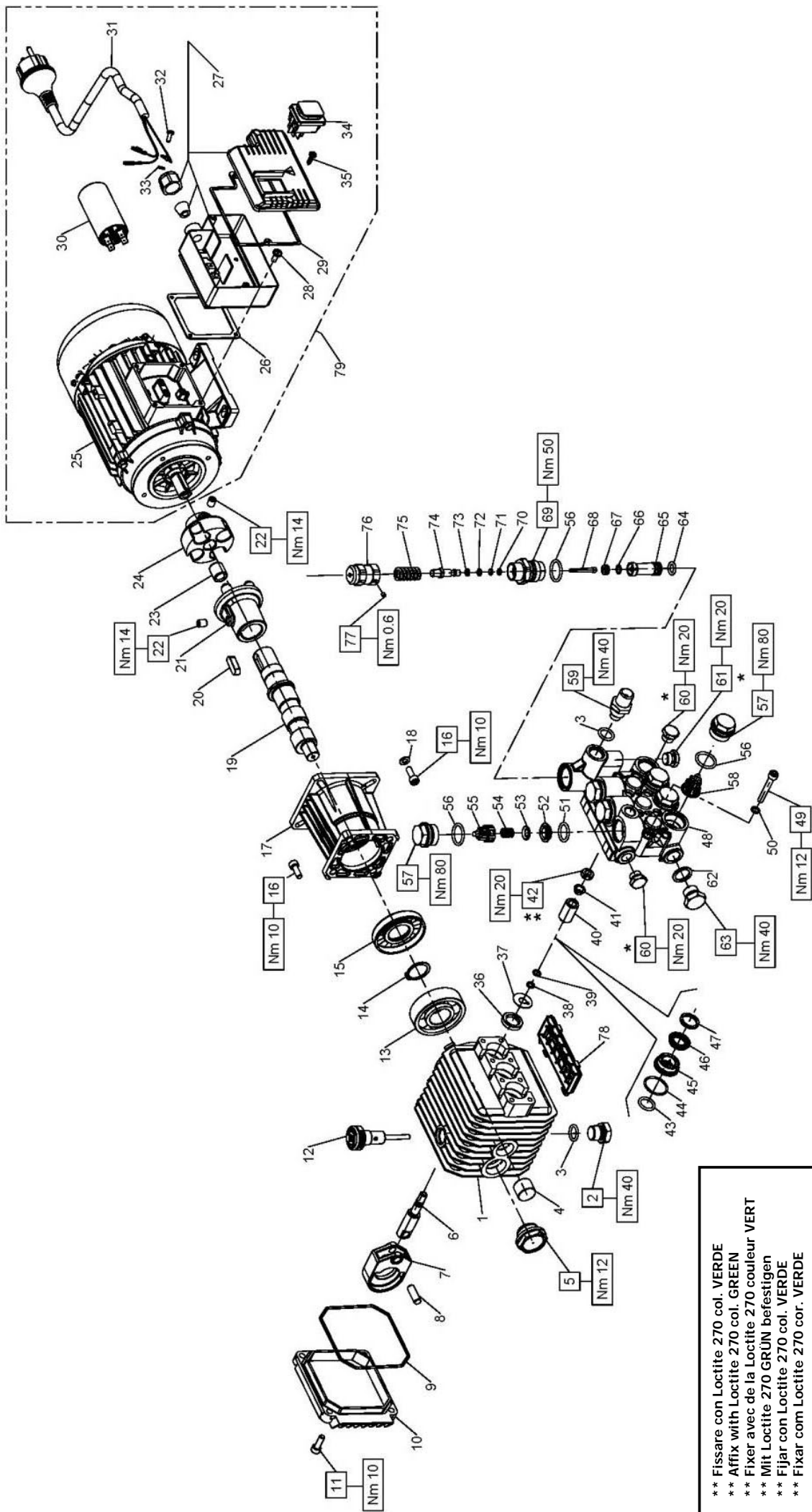
POS	COD.	DESCRIZIONE – DESCRIPTION - KIT	NR
98	91.7080.00	Copiglia D. 2x15 UNI 1336	2
99	56.2412.51	Copriruota	2
100	54.2000.82	Piedino	4
101	56.2320.51	Manico	1
102	98.1924.00	Tappo per foro D. 7	1
103	56.2330.51	Griglia (esclusa versione carrellata)	1

GREENJET			
POS	COD.	DESCRIZIONE – DESCRIPTION - KIT	NR
90	56.2315.51	Carenatura sinistra	1
91	99.1312.00	Vite D. 4x18 UNI 7049	9
92	23.0095.51	Fermacavo	1
93	56.2305.51	Carenatura destra	1
94	99.1474.00	Vite D. 4.8x13 UNI 7049	2
95	56.2410.64	Assale	1
96	56.2411.02	Ruota	2
97	96.7017.00	Rosetta D. 8.4x15.0x0.2	4
98	91.7080.00	Copiglia D. 2x15 UNI 1336	2
99	56.2416.51	Copriruota	2
100	54.2000.82	Piedino	4
101	56.2326.01	Gruppo manico + otturatore	1
102	98.1924.00	Tappo per foro D. 7	1
103	56.2330.51	Griglia (esclusa versione carrellata)	1
104	56.2424.51	Piedino	1

BLUE TIME			
POS	COD.	DESCRIZIONE – DESCRIPTION - KIT	NR
90	56.2353.51	Carenatura sinistra	1
	56.2339.51	Carenatura sinistra vs. no manometro	
91	99.1312.00	Vite D. 4x18 UNI 7049	9
92	23.0095.51	Fermacavo	1
93	56.2336.51	Carenatura destra	1
94	99.1474.00	Vite D. 4.8x13 UNI 7049	2



**Flangia e giunto elastico - Flange and flexible coupling
Bride et accouplement élastique - Flansch und elastische Kupplung
Brida y acoplamiento elástico - Breio e conoexão elástica**

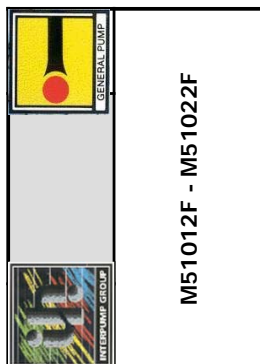


** Fissare con Loctite 270 col. VERDE
 ** Affix with Loctite 270 col. GREEN
 ** Fixer avec de la Loctite 270 couleur VERT
 ** Mit Loctite 270 GRÜN befestigen
 ** Fijar con Loctite 270 col. VERDE
 ** Fixar com Loctite 270 cor. VERDE

* Fissare con Loctite 542 col. ROSSO o in alternativa Loxeal 53-14
 * Affix with Loctite 542 col. RED or Loxeal 53-14
 * Fixer avec de la Loctite 542 couleur ROUGE ou Loxeal 53-14
 * Mit Loctite 542 ROT befestigen oder Loxeal 53-14
 * Fijar con Loctite 542 col. ROJO o Loxeal 53-14
 * Fixar com Loctite 542 cor. VERMELHA ou Loxeal 53-14

DIS. COD. 51.9577.00

51 MISTING



M51012F - M51022F

KIT RICAMBI - SPARE KITS

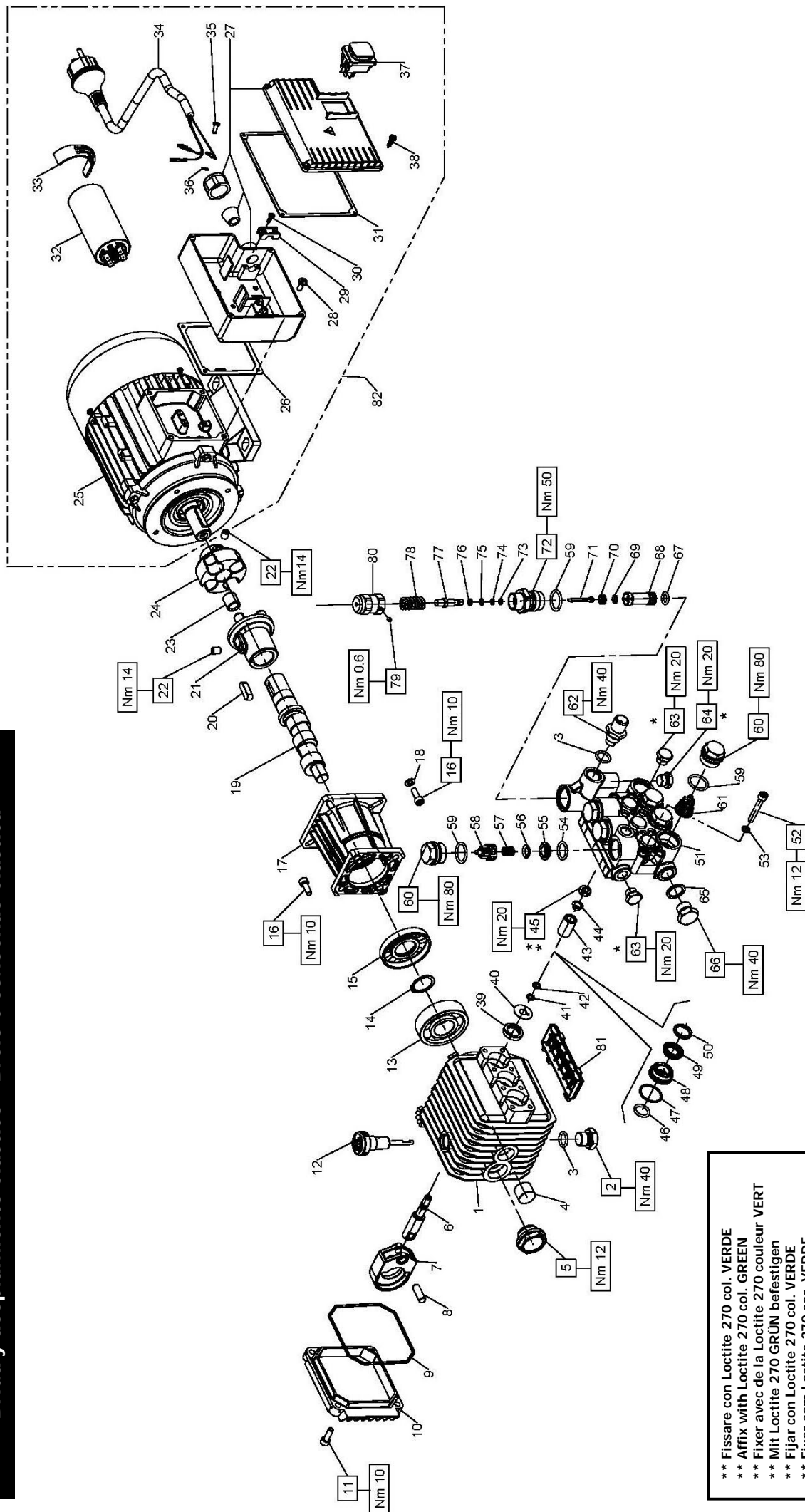
KIT Nr.	KIT 83	KIT 86	KIT 96	KIT 97	KIT 123	KIT 157	KIT 267
Posizioni include Positions included	36	43 - 44 45	43 - 44 45 - 46 47	43 - 44 46 - 47	51 - 52 53 - 54 55 (58)	56 - 57	56 - 64 - 65 66 - 67 - 68 69 - 70 - 71 72 - 73 - 74 75 - 76 - 77
Nr. Pcs.	3	3	1	3	6	6	1

POS	COD.	DESCRIZIONE - DESCRIPTION - KIT	NR
1	51.0106.22	Carter pompa	1
2	98.2100.50	Tappo G 3/8"x13 TE22 - Zinc.	1
3	90.3833.00	OR D. 13.92x2.62 NBR SH. 70 3056	2
4	91.8014.00	Boccola a rullini	1
5	97.5968.00	Spia livello olio G 3/4"x11.5	1
6	51.0500.56	Guida pistone	3
7	51.0301.22	Biella	3
8	97.7310.00	Spinotto D. 8x24.5	3
9	90.3917.00	OR D. 88.57x2.62 NBR SH. 70 3350	1
10	51.1600.22	Coperchio posteriore carter	1
11	99.1867.00	Vite M6x18 UNI 5931 - Zinc.	4
12	98.2103.00	Tappo con asta G 3/8"x51	1
13	91.8328.00	Cuscinetto a sfere	1
14	90.0635.00	Anello d'arresto A25 UNI 7435	1
15	90.1641.00	Anello rad. D. 25.0x62.0x10.0	1
16	99.1854.00	Vite M6x16 UNI 5931 - Zinc.	8
17	10.0741.22	Flangia pompa-motore MEC 71	1
18	96.6940.00	Rosetta D. 6.4x12.0x1.0	4
19	51.0230.65 51.0220.65	Albero ecc. C.3.5 - M51022F Albero ecc. C.2 - M51012F	1
20	91.4877.00	Linguetta 8x7x25	1
21	10.0758.22	Semigiunto lato pompa	1
22	99.3017.00	Vite M8x10 UNI 5929	2
23	10.0090.47	Boccola ammortizzatrice per giunto	1
24	10.0738.22	Semigiunto lato motore MEC 71	1
25	95.0152.00 95.0132.00	Mot. mon. 0.8 kW Gr. 71F - M51022F Mot. mon. 0.55 kW Gr. 71F - M51012F	1

POS	COD.	DESCRIZIONE - DESCRIPTION - KIT	NR
26	38.2145.47	Guarnizione	1
27	38.2147.11	Scatola elettrica completa	1
28	99.1542.00	Vite M5x12 UNI 8112	4
29	38.2146.47	Guarnizione scatola elettrica	1
30	93.5627.00	Condensatore 16 µF	1
31	10.7441.01	Cavo elettrico	1
32	99.1274.00	Vite M4x10 UNI 8112	1
33	96.6842.00	Rosetta D. 4.3x8.0x0.5	1
34	93.5042.00	Interruttore	1
35	99.0845.00	Vite D. 3.5x16 UNI 7049	2
36	90.1565.00	Anello rad. 15.0x24.0x5.0	83
37	96.7070.00	Rosetta D. 9.0x23.0x0.5	3
38	90.5022.00	Anello antiest. D. 6.2x9.0x1.5	3
39	90.3573.00	OR D. 5.28x1.78NBR SH. 70 (2021)	3
40	51.0400.09	Pistone D. 15x25	3
41	44.2115.70	Rosetta D. 8 con collare	3
42	92.2216.00	Dado M8x13x5	3
43	90.3835.00	OR D. 15.08x2.62 NBR SH. 70 119	3
44	90.3604.00	OR D. 25.12x1.78 NBR SH. 70 2100	3
45	51.0800.70	Anello di fondo D. 15	86-96-97
46	90.2620.00	Anello ten. alt. D. 15x25x5/3.1	96-97
47	51.1000.51	Anello di testa D. 15	96-97
48	51.1201.41	Testata pompa D. 15 con valvola	1
49	99.1943.00	Vite M6x40 UNI 5931	8
50	96.6938.00	Rondella D. 6.4x10.0x0.7	8
51	90.3841.00	OR D. 17.13x2.62 NBR SH. 70 3068	123

POS	COD.	DESCRIZIONE - DESCRIPTION - KIT	NR
52	36.2003.66	Sede valvola	123
53	36.2001.76	Valvola	123
54	94.7376.00	Molla Dm. 9.4x14.8	123
55	36.2025.51	Guida valvola	123
56	90.3847.00	OR D. 20.24x2.62 NBR SH. 70 3081	157-267
57	98.2216.00	Tappo M24x1.5x11.2	157
58	36.7115.01	Gr. valvola aspiraz./mandata	123
59	10.0078.70	Nipplo G 3/8" per ugello iniettore	1
60	98.2041.00	Tappo G 1/4"x9	2
61	98.2057.00	Tappo M14x1x9	1
62	96.7380.00	Rosetta D. 17.5x23.0x1.5	1
63	98.2100.00	Tappo G 3/8"x13	1
64	90.3823.00	OR D. 9.92x2.62 NBR SH. 70 112	267
65	36.0056.70	Distanziale sede valvola	267
66	90.3576.00	OR D. 6.75x1.78 NBR SH. 70 106	267
67	10.0085.66	Sede valvola	267
68	36.3239.66	Valvola	267
69	36.0055.70	Boccola	267
70	90.5007.00	Anello antiest. D. 4.0x6.8x1.5	267
71	90.3569.00	OR D. 3.69x1.78 NBR SH. 70 2015	267
72	90.3570.00	OR D. 4.48x1.78 NBR SH. 70 2018	267
73	90.5020.00	Anello antiest. D. 5.2x8.0x1.5	267
74	36.3237.70	Pistoncino di comando	267
75	94.7400.00	Molla Dm. 11.8x28.5	267
76	36.0054.70	Pomolo	267
77	99.1261.00	Vite M4x4 UNI 5923	267
78	51.2090.51	Protezione	1
79	95.0150.00 95.0130.00	Mot. 0.8 kW Gr. 71 Completo - M51022F Mot. 0.55 kW Gr. 71 Competo - M51012F	1

**Flangia e giunto elastico - Flange and flexible coupling
Bride et accouplement élastique - Flansch und elastische Kupplung
Brida y acoplamiento elástico - Breio e conoexão elástica**

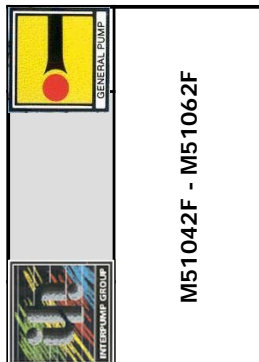


** Fissare con Loctite 270 col. VERDE
 ** Affix with Loctite 270 col. GREEN
 ** Fixer avec de la Loctite 270 couleur VERT
 ** Mit Loctite 270 GRÜN befestigen
 ** Fijar con Loctite 270 col. VERDE
 ** Fixar com Loctite 270 cor. VERDE

* Fissare con Loctite 542 col. ROSSO o in alternativa Loxal 53-14
 * Affix with Loctite 542 col. RED or Loxal 53-14
 * Fixer avec de la Loctite 542 couleur ROUGE ou Loxal 53-14
 * Mit Loctite 542 ROT befestigen oder Loxal 53-14
 * Fijar con Loctite 542 col. ROJO o Loxal 53-14
 * Fixar com Loctite 542 cor. VERMELHA ou Loxal 53-14

DIS. COD. 51.9579.00

51 MISTING



M51042F - M51062F

KIT RICAMBI - SPARE KITS

KIT Nr.	KIT 83	KIT 86	KIT 96	KIT 97	KIT 123	KIT 157	KIT 267
Posizioni include Positions included	39	46 - 47 48	46 - 47 48 - 49 50	46 - 47 49 - 50 (61)	54 - 55 56 - 57 58 (61)	59 - 60	59 - 67 - 68 69 - 70 - 71 72 - 73 - 74 75 - 76 - 77 78 - 79 - 80
Nr. Pcs.	3	3	1	3	6	6	1

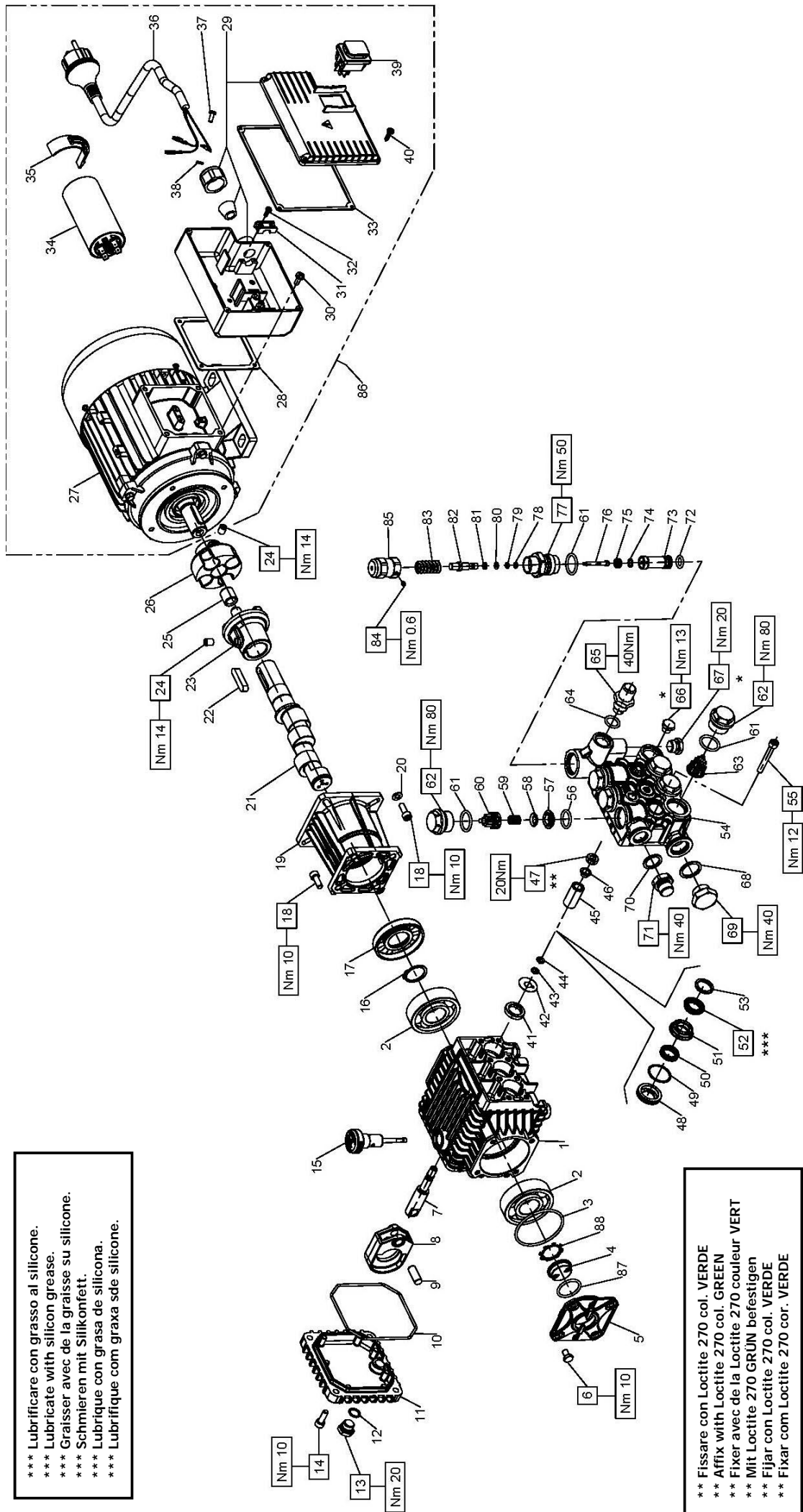
POS	COD.	DESCRIZIONE - DESCRIPTION - KIT	NR
1	51.0106.22	Carter pompa	1
2	98.2100.50	Tappo G 3/8"x13 TE - Zinc.	1
3	90.3833.00	OR D. 13.92x2.62 NBR SH. 70 3056	2
4	91.8014.00	Boccola a rullini	1
5	97.5968.00	Spia livello olio G 3/4"x11.5	1
6	51.0500.56	Guida pistone	3
7	51.0301.22	Biella	3
8	97.7310.00	Spinotto D. 8x24.5	3
9	90.3917.00	OR D. 88.57x2.62 NBR SH. 70 3350	1
10	51.1600.22	Coperchio posteriore carter	1
11	99.1867.00	Vite M6x18 UNI 5931 - Zinc.	4
12	98.2103.00	Tappo con asta G 3/8"x51	1
13	91.8328.00	Cuscinetto a sfere	1
14	90.0635.00	Anello d'arresto A25 UNI 7435	1
15	90.1641.00	Anello rad. D. 25.0x62.0x10.0	1
16	99.1854.00	Vite M6x16 UNI 5931	8
17	10.0743.22	Flangia pompa-motore MEC 80	1
18	96.6940.00	Rosetta D. 6.4x12.0x1.0	4
19	51.0204.65 51.0200.65	Albero ecc. C.9.4 - M51062F Albero ecc. C.6 - M51042F	1
20	91.4877.00	Linguetta 8x7x25	1
21	10.0758.22	Semigiunto lato pompa	1
22	99.3017.00	Vite M8x10 UNI 5929	2
23	10.0090.47	Boccola ammortizzatrice per giunto	1
24	10.0739.22	Semigiunto lato motore MEC 80	1
25	95.0192.00 95.0172.00	Mot. mon. 1.7 kW Gr.80F - M51062F Mot. mon. 1.15 kW Gr.80F - M51042F	1
26	38.2145.47	Guarnizione	1

POS	COD.	DESCRIZIONE - DESCRIPTION - KIT	NR
27	40.2146.11	Scatola elettrica completa	1
28	99.1542.00	Vite M5x12 UNI 8112	4
29	93.5240.00	Fermacavo	1
30	99.0840.00	Vite D. 3.5x13 UNI 7049	2
31	40.2145.47	Guarnizione scatola elettrica	1
32	93.5646.00 93.5630.00	Condensatore 40 µF - M51062F Condensatore 30 µF - M51042F	1
33	92.8230.00	Clip ferma condensatore	1
34	10.7441.01	Cavo elettrico	1
35	99.1274.00	Vite M4x10 UNI 8112	1
36	96.6842.00	Rosetta D. 4.3x8.0x0.5	1
37	93.5042.00	Interruttore	1
38	99.0845.00	Vite D. 3.5x16 UNI 7049	2
39	90.1565.00	Anello rad. D. 15.0x24.0x5.0	83
40	96.7070.00	Rosetta D. 9.0x23.0x0.5	3
41	90.5022.00	Anello antiest. D. 6.2x9.0x1.5	3
42	90.3573.00	OR D. 5.28x1.78 NBR SH. 70 2021	3
43	51.0400.09	Pistone D. 15x25	3
44	44.2115.70	Rosetta D. 8 con collare	3
45	92.2216.00	Dado M8x13x5	3
46	90.3835.00	OR D. 15.08x2.62 NBR SH. 70 119 86-96-97	3
47	90.3604.00	OR D. 25.12x1.78 NBR SH. 70 2100 86-96-97	3
48	51.0800.70	Anello di fondo D. 15	86-96
49	90.2620.00	Anello ten. alt. D. 15x25x5/3.1	96-97
50	51.1000.51	Anello di testa D. 15	96-97
51	51.1201.41	Testata pompa D. 15 con valvola	1
52	99.1943.00	Vite M6x40 UNI 5931	8

POS	COD.	DESCRIZIONE - DESCRIPTION - KIT	NR
53	96.6938.00	Rondella D. 6.4x10x0.7	8
54	90.3841.00	OR D. 17.13x2.62 NBR SH. 70 3068	123
55	36.2003.66	Sede valvola	123
56	36.2001.76	Valvola	123
57	94.7376.00	Molla Dm. 9.4x14.8	123
58	36.2025.51	Guida valvola	123
59	90.3847.00	OR D. 20.24x2.62 NBR SH. 70 3081 157-267	7
60	98.2216.00	Tappo M24x1.5x11.2	157
61	36.7115.01	Gr. valvola aspiraz./mandata	123
62	10.0078.70	Nipplo G 3/8" per ugello iniettore	1
63	98.2041.00	Tappo G 1/4"x9	2
64	98.2057.00	Tappo M14x1x9	1
65	96.7380.00	Rosetta D. 17.5x23.0x1.5	1
66	98.2100.50	Tappo G 3/8"x13	1
67	90.3823.00	OR D. 9.92x2.62 NBR SH. 70 112	267
68	36.0056.70	Distanziale sede valvola	267
69	90.3576.00	OR D. 6.75x1.78 NBR SH. 70 106	267
70	10.0085.66	Sede valvola	267
71	36.3239.66	Valvola	267
72	36.0055.70	Boccola	267
73	90.5007.00	Anello antiest. D. 4.0x6.8x1.5	267
74	90.3569.00	OR D. 3.69x1.78 NBR SH. 70 2015	267
75	90.3570.00	OR D. 4.48x1.78 NBR SH. 70 2018	267
76	90.5020.00	Anello antiest. D. 5.2x8.0x1.5	267
77	36.3237.70	Pistoncino di comando	267
78	94.7400.00	Molla Dm. 11.8x28.5	267
79	99.1261.00	Vite M4x4 UNI 5923	267
80	36.0054.70	Pomolo	267
81	51.2090.51	Protezione	1
82	95.0190.00 95.0170.00	Mot. 1.7 kW Gr.80 Competo - M51062F Mot. 1.15 kW Gr.80 Completo - M51042F	1

**Flangia e giunto elastico - Flange and flexible coupling
Bride et accouplement élastique - Flansch und elastische Kupplung
Brida y acoplamiento elástico - Breio e conoexão elástica**

*** Lubrificare con grasso al silicone.
*** Lubricate with silicon grease.
*** Graisser avec de la graisse su silicone.
*** Schmierem mit Silikonfett.
*** Lubrique con grasa de silicona.
*** Lubrifique com graxa sde silicone.

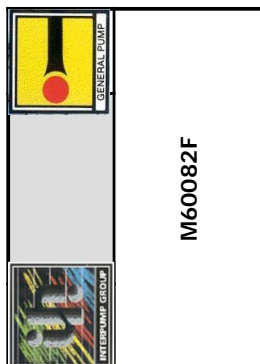


** Fissare con Loctite 270 col. VERDE
** Affix with Loctite 270 col. GREEN
** Fixer avec de la Loctite 270 couleur VERT
** Mit Loctite 270 GRÜN befestigen
** Fijar con Loctite 270 col. VERDE
** Fixar com Loctite 270 cor. VERDE

* Fissare con Loctite 542 col. ROSSO o in alternativa Loxeal 53-14
* Affix with Loctite 542 col. RED or Loxeal 53-14
* Fixer avec de la Loctite 542 couleur ROUGE ou Loxeal 53-14
* Mit Loctite 542 ROT befestigen oder Loxeal 53-14
* Fijar con Loctite 542 col. ROJO o Loxeal 53-14
* Fixar com Loctite 542 cor. VERMELHA ou Loxeal 53-14

DIS. COD. 60.9512.00

60 MISTING



M60082F

KIT RICAMBI - SPARE KITS

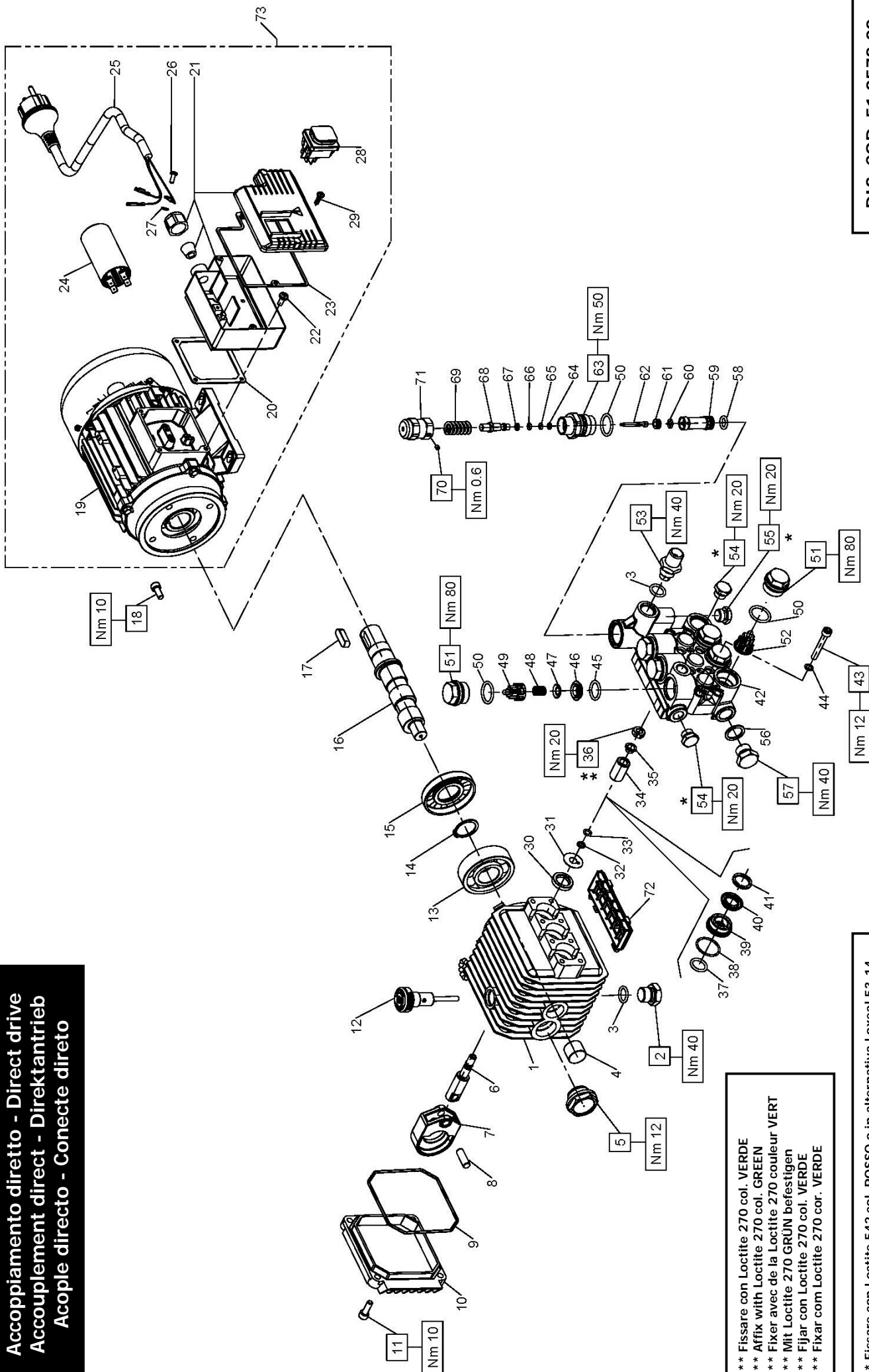
KIT N°.	KIT 83	KIT 123	KIT 196	KIT 198	KIT 200	KIT 226	KIT 267
Posizioni include Positions included	41	56 - 57 58 - 59 60 (63)	50 - 52 53	51	48 - 49	48 - 49 50 - 51 52 - 53	61 - 72 - 73 74 - 75 - 76 77 - 78 - 79 80 - 81 - 82 83 - 84 - 85
Nr. Pcs.	3	6	3	3	3	1	1

POS	COD.	DESCRIZIONE - DESCRIPTION - KIT	NR
1	60.0100.22	Carter pompa	1
2	91.8328.00	Cuscinetto a sfere	2
3	90.3898.00	OR D. 56.82x2.62 NBR 70SH. 3225	1
4	53.2108.51	Vetrino spia livello olio	1
5	53.1500.22	Coperchio laterale carter	1
6	99.1807.00	Vite M6x10 UNI 5739	4
7	60.0500.66	Guida pistone	3
8	60.0300.22	Biella	3
9	97.7333.00	Spinotto D. 9x24.5	3
10	90.3918.00	OR D. 94.92x2.62 NBR SH. 70 3375	1
11	60.1600.22	Coperchio posteriore	1
12	90.3585.00	OR D. 10.82x1.78 NBR SH. 70 2043	1
13	98.2042.50	Tappo G 1/4"x9 TE17 - Zinc.	1
14	99.1867.00	Vite M6x18 UNI 5931	4
15	98.2103.00	Tappo con asta G 3/8"x51	1
16	90.0635.00	Anello d'arresto A25 UNI 7435	1
17	90.1641.00	Anello rad. D. 25.0x62.0x10.0	1
18	99.1854.00	Vite M6x16 UNI 5931	8
19	10.0743.22	Flangia pompa-motore MEC 80	1
20	96.6940.00	Rosetta D. 6.4x12.0x1.0	4
21	60.0217.35	Albero ecc. C.11.5	1
22	91.4892.00	Linguetta 8x7x35	1
23	10.0740.22	Semigiunto lato pompa	1
24	99.3017.00	Vite M8x10 UNI 5929	2
25	10.0090.47	Boccola ammortizzatrice per giunto	4
26	10.0739.22	Semigiunto lato motore MEC 80	1
27	95.0192.00	Mot. mono. 1.7 Kw Gr.80F	1

POS	COD.	DESCRIZIONE - DESCRIPTION - KIT	NR
28	43.2103.47	Guarnizione	1
29	40.2146.11	Scatola elettrica completa	1
30	99.1542.00	Vite M5x12 UNI 8112	4
31	93.5240.00	Fermacavo	1
32	99.0840.00	Vite D. 3.5x13 UNI 7049	2
33	40.2145.47	Guarnizione scatola elettrica	1
34	93.5646.00	Condensatore 40 µF	1
35	92.8230.00	Clip ferma condensatore	1
36	10.7441.01	Cavo elettrico	1
37	99.1274.00	Vite M4x10 UNI 8112	1
38	96.6842.00	Rosetta D. 4.3x8.0x0.5	1
39	93.5042.00	Interruttore	1
40	99.0845.00	Vite D. 3.5x16 UNI 7049	4
41	90.1565.00	Anello rad. D. 15.0x24.0x5.0	83
42	96.7070.00	Rosetta D. 9.0x23.0x0.5	3
43	90.5022.00	Anello antiest. D. 6.2x9.0x1.5	3
44	90.3573.00	OR D. 5.28x1.78 NBR SH. 70 2021	3
45	60.0400.09	Pistone D. 15x30	3
46	44.2115.70	Rosetta D. 8 con collare	3
47	92.2216.00	Dado M8x13x5	3
48	60.0800.70	Anello di fondo D. 15 200-226	3
49	90.3604.00	OR D. 25.12x1.78 NBR SH. 70 2100 200-226	3
50	90.2608.00	Anello ten. alt. D. 15x22x5 196-226	3
51	60.2160.70	Anello intermedio D. 15 198-226	3
52	90.2620.00	Anello ten. alt. D. 15x25x5/3.1 196-226	3
53	51.1000.51	Anello di testa D. 15 196-226	3
54	60.1204.41	Testata D. 15 con valvola	1

POS	COD.	DESCRIZIONE - DESCRIPTION - KIT	NR
55	99.1950.00	Vite M6x45 UNI 5931	8
56	90.3841.00	OR D. 17.13x2.62 NBR SH. 70 3068	123
57	36.2003.66	Sede valvola	123
58	36.2001.76	Valvola	123
59	94.7376.00	Molla Dm. 9.4x14.8	123
60	36.2025.51	Guida valvola	123
61	90.3847.00	OR D. 20.24x2.62 NBR SH. 70 3081	267
62	98.2214.00	Tappo valvola M24x1.5	6
63	36.7115.01	Gr. valvola aspiraz./mandata	123
64	90.3833.00	OR D. 13.95x2.62 NBR SH. 70 3056	1
65	10.0078.70	Nipplo G 3/8" per ugello iniettore	1
66	98.1966.00	Tappo G 1/8"x8	1
67	98.2057.00	Tappo M14x1x9	1
68	96.7514.00	Rosetta D. 21.5x27.0x1.5	1
69	98.2176.00	Tappo G 1/2"x10	1
70	96.7380.00	Rosetta D. 17.5x23.0x1.5	1
71	98.2100.00	Tappo G 3/8"x13	1
72	90.3823.00	OR D. 9.92x2.62 NBR SH. 70 112	267
73	36.0056.70	Distanziale sede valvola	267
74	90.3576.00	OR D. 6.75x1.78 NBR SH. 70 106	267
75	10.0085.66	Sede valvola	267
76	36.3239.66	Valvola	267
77	36.0055.70	Boccola	267
78	90.5007.00	Anello antiest. D. 4x6.8x0x1.5	267
79	90.3569.00	OR D. 3.69x1.78 NBR SH. 70 2015	267
80	90.3570.00	OR D. 4.48x1.78 NBR SH. 70 2018	267
81	90.5020.00	Anello antiest. D. 5.2x8.0x1.5	267
82	36.3237.70	Pistoncino di comando	267
83	94.7400.00	Molla Dm. 11.8x28.5	267
84	99.1261.00	Vite M4x4 UNI 5923	267
85	36.0054.70	Pomolo	267
86	95.0190.00	Mot. 1.7 KW Gr.80 Completo	1
87	90.3859.00	OR D. 25.07x2.62 NBR SH. 70 3100	1
88	90.0671.00	Anello d'arresto ZJ30	1

**Accoppiamento diretto - Direct drive
Accouplement direct - Direktantrieb
Acople directo - Conecte directo**

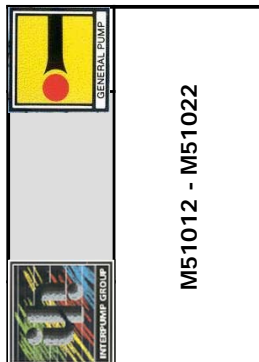


** Fissare con Loctite 270 col. VERDE
** Affix with Loctite 270 col. GREEN
** Fixer avec de la Loctite 270 couleur VERT
** Mit Loctite 270 GRÜN befestigen
** Fijar con Loctite 270 col. VERDE
** Fixar com Loctite 270 cor. VERDE

* Fissare con Loctite 542 col. ROSSO o in alternativa Loxeal 53-14
* Affix with Loctite 542 col. RED or Loxeal 53-14
* Fixer avec de la Loctite 542 couleur ROUGE ou Loxeal 53-14
* Mit Loctite 542 ROT befestigen oder Loxeal 53-14
* Fijar con Loctite 542 col. ROJO o Loxeal 53-14
* Fixar com Loctite 542 cor. VERMELHA ou Loxeal 53-14

DIS. COD. 51.9578.00

51 MISTING



M51012 - M51022

KIT RICAMBI - SPARE KITS

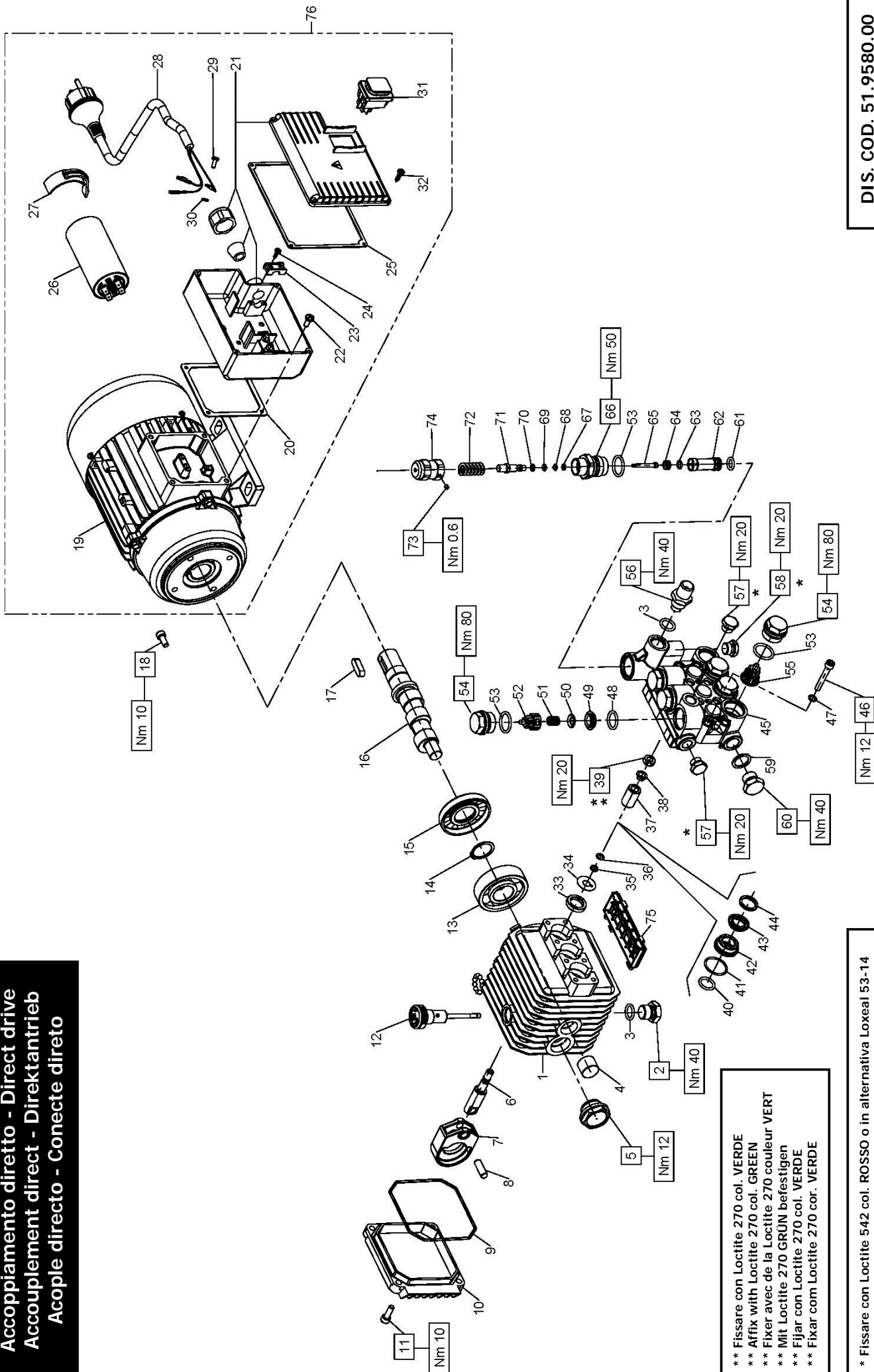
KIT Nr.	KIT 83	KIT 86	KIT 96	KIT 97	KIT 123	KIT 157	KIT 267
Posizioni Include Positions included	30	37 - 38 39	37 - 38 39 - 40 41	37 - 38 40 - 41	45 - 46 47 - 48 49 (52)	50 - 51	50 - 58 - 59 60 - 61 - 62 63 - 64 - 65 66 - 67 - 68 69 - 70 - 71
Nr. Pcs.	3	3	1	3	6	6	1

POS	COD.	DESCRIZIONE - DESCRIPTION - KIT	NR
52	36.7115.01	Gr. valvola aspiraz./mandata	123
53	10.0078.70	Nipplo G 3/8" per ugello inietttore	1
54	98.2041.00	Tappo G 1/4"x9	2
55	98.2057.00	Tappo M14x1x9	1
56	96.7380.00	Rosetta D. 17.5x23.0x1.5	1
57	98.2100.00	Tappo G 3/8"x13	1
58	90.3823.00	OR D. 9.92x2.62 NBR SH. 70 112	267
59	36.0056.70	Distanziale sede valvola	267
60	90.3576.00	OR D. 6.75x1.78 NBR SH. 70 106	267
61	10.0085.66	Sede valvola	267
62	36.3239.66	Valvola	267
63	36.0055.70	Boccola	267
64	90.5007.00	Anello antiest. D. 4x6.8.0x1.5	267
65	90.3569.00	OR D. 3.69x1.78 NBR SH. 70 2015	267
66	90.3570.00	OR D. 4.48x1.78 NBR SH. 70 2018	267
67	90.5020.00	Anello antiest. D. 5.2x8.0x1.5	267
68	36.3237.70	Pistoncino di comando	267
69	94.7400.00	Molla Dm. 11.8x28.5	267
70	99.1261.00	Vite M4x4 UNI 5923	267
71	36.0054.70	Pomolo	267
72	51.2090.51	Protezione	1
73	95.0151.00 95.0131.00	Mot. 0.8 kW Gr.71 Completo - M51022 Mot. 0.55 kW Gr.71 Completo - M51012	1

POS	COD.	DESCRIZIONE - DESCRIPTION - KIT	NR
26	99.1274.00	Vite M4x10 UNI 8112	1
27	96.6842.00	Rosetta D. 4.3x8.0x0.5	1
28	93.5042.00	Interruttore	1
29	99.0845.00	Vite D. 3.5x16 UNI 7049	2
30	90.1565.00	Anello rad. D. 15.0x24.0x5.0	83
31	96.7070.00	Rosetta D. 9.0x23.0x0.5	3
32	90.5022.00	Anello antiest. D. 6.2x9.0x1.5	3
33	90.3573.00	OR D. 5.28x1.78 NBR SH. 70 2021	3
34	51.0400.09	Pistone D. 15x25	3
35	44.2115.70	Rosetta D. 8 con collare	3
36	92.2216.00	Dado M8x13x5	3
37	90.3835.00	OR D. 15.08x2.62 NBR SH. 70 119 86-96-97	3
38	90.3604.00	OR D. 25.12x1.78 NBR SH. 70 2100 86-96-97	3
39	51.0800.70	Anello di fondo D. 15	86-96
40	90.2620.00	Anello ten. alt. D. 15x25x5/3.1	96-97
41	51.1000.51	Anello di testa D. 15	96-97
42	51.1201.41	Testata pompa D. 15 con valvola	1
43	99.1943.00	Vite M6x40 UNI 5931	8
44	96.6938.00	Rondella D. 6.4x10x0.7	8
45	90.3841.00	OR D. 17.13x2.62 NBR SH. 70 3068 123	6
46	36.2003.66	Sede valvola	123
47	36.2001.76	Valvola	123
48	94.7376.00	Molla Dm. 9.4x14.8	123
49	36.2025.51	Guida valvola	123
50	90.3847.00	OR D. 20.24x2.62 NBR SH. 70 3081 157-267	7
51	98.2216.00	Tappo M24x1.5x11.2	157

POS	COD.	DESCRIZIONE - DESCRIPTION - KIT	NR
1	51.0106.22	Carter pompa	1
2	98.2100.50	Tappo G 3/8"x13 TE22 - Zinc.	1
3	90.3833.00	OR D. 13.92x2.62 NBR SH. 70 3056	2
4	91.8014.00	Boccola a rullini	1
5	97.5968.00	Spia livello olio G 3/4"x11.5	1
6	51.0500.56	Guida pistone	3
7	51.0301.22	Biella	3
8	97.7310.00	Spinotto D. 8x24.5	3
9	90.3917.00	OR D. 88.57x2.62 NBR SH. 70 3350	1
10	51.1600.22	Coperchio posteriore carter	1
11	99.1867.00	Vite M6x18 UNI 5931 - Zinc.	4
12	98.2103.00	Tappo con asta G 3/8"x51	1
13	91.8328.00	Cuscinetto a sfere	1
14	90.0635.00	Anello d'arresto A25 UNI 7435	1
15	90.1641.00	Anello rad. D. 25.0x62.0x10.0	1
16	51.0230.65 51.0220.65	Albero ecc. C.3.5 - M51022 Albero ecc. C.2 - M51012	1
17	91.4877.00	Linguetta 8x7x25	1
18	99.1837.00	Vite M6x14 UNI 5931	4
19	95.0153.00 95.0133.00	Mot. mono. 0.8 kW Gr.71 - M51022 Mot. mono. 0.55 kW Gr.71 - M51012	1
20	38.2145.47	Guarnizione	1
21	38.2147.11	Scatola elettrica completa	1
22	99.1542.00	Vite M5x12 UNI 8112	4
23	38.2146.47	Guarnizione scatola elettrica	1
24	93.5627.00	Condensatore 16 µF	1
25	10.7441.01	Cavo elettrico	1

**Accoppiamento diretto - Direct drive
Accouplement direct - Direktantrieb
Acople directo - Conecte direto**

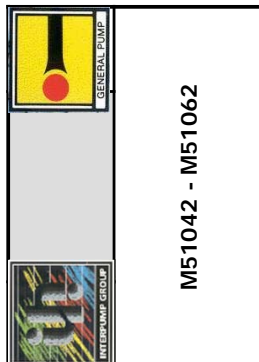


** Fissare con Loctite 270 col. VERDE
** Affix with Loctite 270 col. GREEN
** Fixer avec de la Loctite 270 couleur VERT
** Mit Loctite 270 GRÜN befestigen
** Fijar con Loctite 270 col. VERDE
** Fixar com Loctite 270 cor. VERDE

* Fissare con Loctite 542 col. ROSSO o in alternativa Loxal 53-14
* Affix with Loctite 542 col. RED or Loxal 53-14
* Fixer avec de la Loctite 542 couleur ROUGE ou Loxal 53-14
* Mit Loctite 542 ROT befestigen oder Loxal 53-14
* Fijar con Loctite 542 col. ROJO o Loxal 53-14
* Fixar com Loctite 542 cor. VERMELHA ou Loxal 53-14

DIS. COD. 51.9580.00

51 MISTING



M51042 - M51062

KIT RICAMBI - SPARE KITS

KIT Nr.	KIT 83	KIT 86	KIT 96	KIT 97	KIT 123	KIT 157	KIT 267
Posizioni include Positions included	33	40 - 41 42	40 - 41 42 - 43 44	40 - 41 43 - 44	48 - 49 50 - 51 52 (55)	53 - 54	53 - 61 - 62 63 - 64 - 65 66 - 67 - 68 69 - 70 - 71 72 - 73 - 74
Nr. Pcs.	3	3	1	3	6	6	1

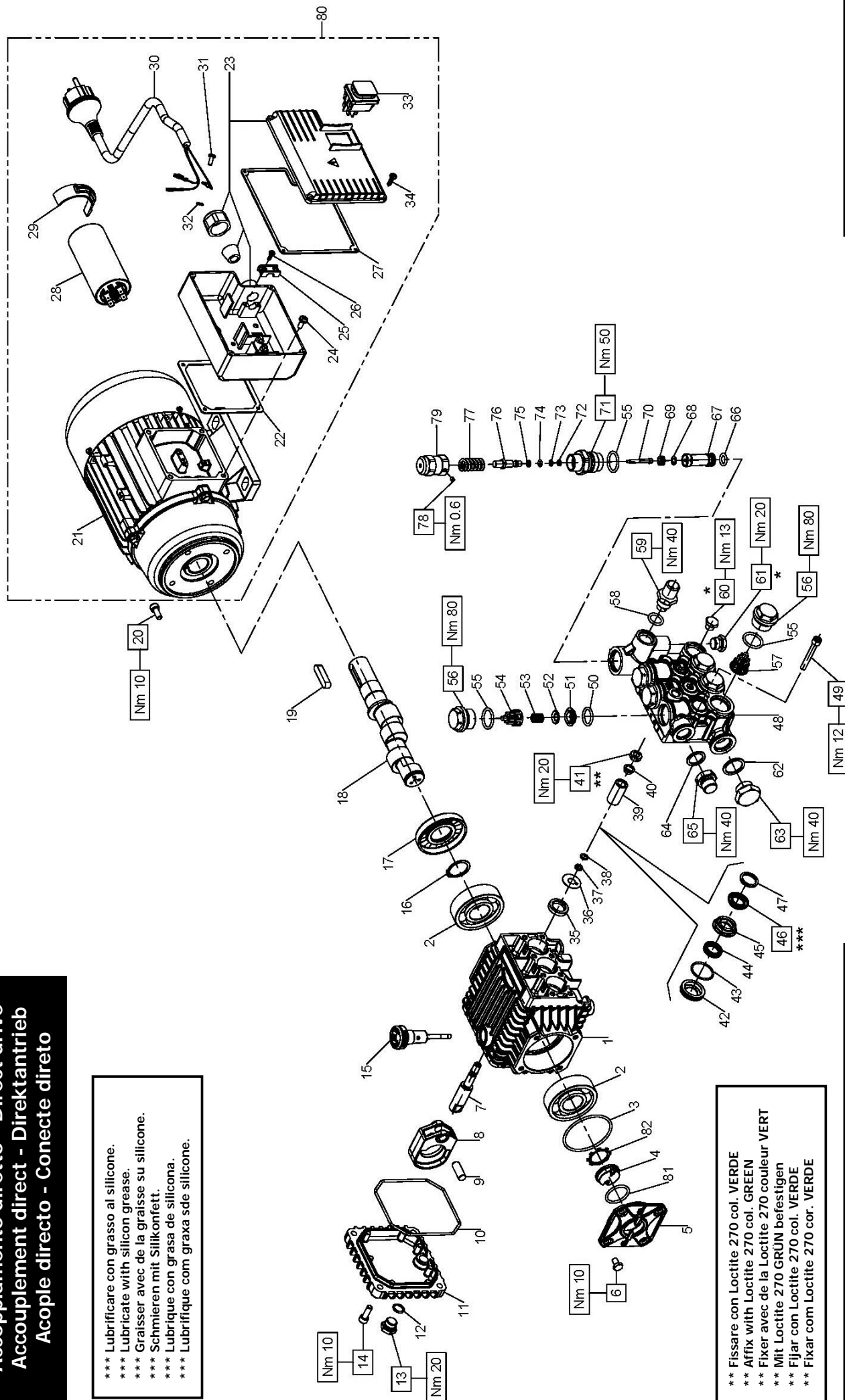
POS	COD.	DESCRIZIONE - DESCRIPTION - KIT	NR
1	51.0106.22	Carter pompa	1
2	98.2100.50	Tappo G 3/8"x13 TE22 - Zinc.	1
3	90.3833.00	OR D. 13.92x2.62 NBR SH. 70 3056	2
4	91.8014.00	Boccola a rullini	1
5	97.5968.00	Spia livello olio G 3/4"x11.5	1
6	51.0500.56	Guida pistone	3
7	51.0301.22	Biella	3
8	97.7310.00	Spinotto D. 8x24.5	3
9	90.3917.00	OR D. 88.57x2.62 NBR SH. 70 3350	1
10	51.1600.22	Coperchio posteriore carter	1
11	99.1867.00	Vite M6x18 UNI 5931	4
12	98.2103.00	Tappo con asta G 3/8"x51	1
13	91.8328.00	Cuscinetto a sfere	1
14	90.0635.00	Anello d'arresto A25 UNI 7435	1
15	90.1641.00	Anello rad. D. 25.0x62.0x10.0	1
16	51.0204.65	Albero ecc. C.9.4 - M51062	1
	51.0200.65	Albero ecc. C.6 - M51042	1
17	91.4877.00	Linguetta 8x7x25	1
18	99.1837.00	Vite M6x14 UNI 5931	4
19	95.0193.00	Mot. mono. 1.7 kW Gr.80 - M51062	1
	95.0173.00	Mot. mono. 1.15 kW Gr.80 - M51042	1
20	43.2103.47	Guarnizione	1
21	40.2146.11	Scatola elettrica completa	1
22	99.1542.00	Vite M5x12 UNI 8112	4
23	93.5240.00	Fermacavo	1
24	99.0840.00	Vite D. 3.5x13 UNI 7049	2
25	40.2145.47	Guarnizione scatola elettrica	1
26	93.5646.00	Condensatore 40 µF - M51062	1
	93.5630.00	Condensatore 30 µF - M51042	1

POS	COD.	DESCRIZIONE - DESCRIPTION - KIT	NR
27	92.8230.00	Clip ferma condensatore	1
28	10.7441.01	Cavo elettrico	1
29	99.1274.00	Vite M4x10 UNI 8112	1
30	96.6842.00	Rosetta D. 4.3x8.0x0.5	1
31	93.5042.00	Interruttore	1
32	99.0845.00	Vite D. 3.5x16 UNI 7049	2
33	90.1565.00	Anello rad. D. 15.0x24.0x5.0	83
34	96.7070.00	Rosetta D. 9.0x23.0x0.5	3
35	90.5022.00	Anello antiest. D. 6.2x9.0x1.5	3
36	90.3573.00	OR D. 5.28x1.78 NBR SH. 70 2021	3
37	51.0400.09	Pistone D. 15x25	3
38	44.2115.70	Rosetta D. 8 con collare	3
39	92.2216.00	Dado M8x13x5	3
40	90.3835.00	OR D. 15.08x2.62 NBR SH. 70 119 86-96-97	3
41	90.3604.00	OR D. 25.12x1.78 NBR SH. 70 2100 86-96-97	3
42	51.0800.70	Anello di fondo D. 15	86-96
43	90.2620.00	Anello ten. alt. D. 15x25x5/3.1	96-97
44	51.1000.51	Anello di testa D. 15	96-97
45	51.1201.41	Testata pompa D. 15 con valvola	1
46	99.1943.00	Vite M6x40 UNI 5931	8
47	96.6938.00	Rondella D. 6.4x10x0.7	8
48	90.3841.00	OR D. 17.13x2.62 NBR SH. 70 3068 123	6
49	36.2003.66	Sede valvola	123
50	36.2001.76	Valvola	123
51	94.7376.00	Molla Dm. 9.4x14.8	123
52	36.2025.51	Guida valvola	123

POS	COD.	DESCRIZIONE - DESCRIPTION - KIT	NR
53	90.3847.00	OR D. 20.24x2.62 NBR SH. 70 3081 157-267	7
54	98.2216.00	Tappo M24x1.5x11.2	157
55	36.7115.01	Gr. valvola aspiraz./mandata	123
56	10.0078.70	Nipplo G 3/8" per ugello inietttore	1
57	98.2041.00	Tappo G 1/4"x9	2
58	98.2057.00	Tappo M14x1x9	1
59	96.7380.00	Rosetta D. 17.5x23.0x1.5	1
60	98.2100.00	Tappo G 3/8"x13	1
61	90.3823.00	OR D. 9.92x2.62 NBR SH. 70 112	267
62	36.0056.70	Distanziale sede valvola	267
63	90.3576.00	OR D. 6.75x1.78 NBR SH. 70 106	267
64	10.0085.66	Sede valvola	267
65	36.3239.66	Valvola	267
66	36.0055.70	Boccola	267
67	90.5007.00	Anello antiest. D. 4.0x6.8x1.5	267
68	90.3569.00	OR D. 3.69x1.78 NBR SH. 70 2015	267
69	90.3570.00	OR D. 4.48x1.78 NBR SH. 70 2018	267
70	90.5020.00	Anello antiest. D. 5.2x8.0x1.5	267
71	36.3237.70	Pistoncino di comando	267
72	94.7400.00	Molla Dm. 11.8x28.5	267
73	99.1261.00	Vite M4x4 UNI 5923	267
74	36.0054.70	Pomolo	267
75	51.2090.51	Protezione	1
76	95.0191.00	Mot. 1.7 kW Gr.80 Completo - M51062	1
	95.0171.00	Mot. 1.15 kW Gr.80 Completo - M51042	1

**Accoppiamento diretto - Direct drive
Accouplement direct - Direktantrieb
Acople directo - Conecte direto**

*** Lubrificare con grasso al silicone.
*** Lubricate with silicon grease.
*** Graisser avec de la graisse su silicone.
*** Schmieren mit Silikonfett.
*** Lubrique con grasa de silicona.
*** Lubrifique com graxa sde silicone.

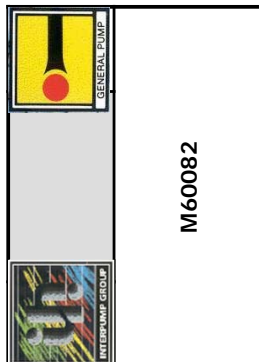


** Fissare con Loctite 270 col. VERDE
** Affix with Loctite 270 col. GREEN
** Fixer avec de la Loctite 270 couleur VERT
** Mit Loctite 270 GRÜN befestigen
** Fijar con Loctite 270 col. VERDE
** Fixar com Loctite 270 cor. VERDE

* Fissare con Loctite 542 col. ROSSO o in alternativa Loxeal 53-14
* Affix with Loctite 542 col. RED or Loxeal 53-14
* Fixer avec de la Loctite 542 couleur ROUGE ou Loxeal 53-14
* Mit Loctite 542 ROT befestigen oder Loxeal 53-14
* Fijar con Loctite 542 col. ROJO o Loxeal 53-14
* Fixar com Loctite 542 cor. VERMELHA ou Loxeal 53-14

DIS. COD. 60.9513.00

60 MISTING



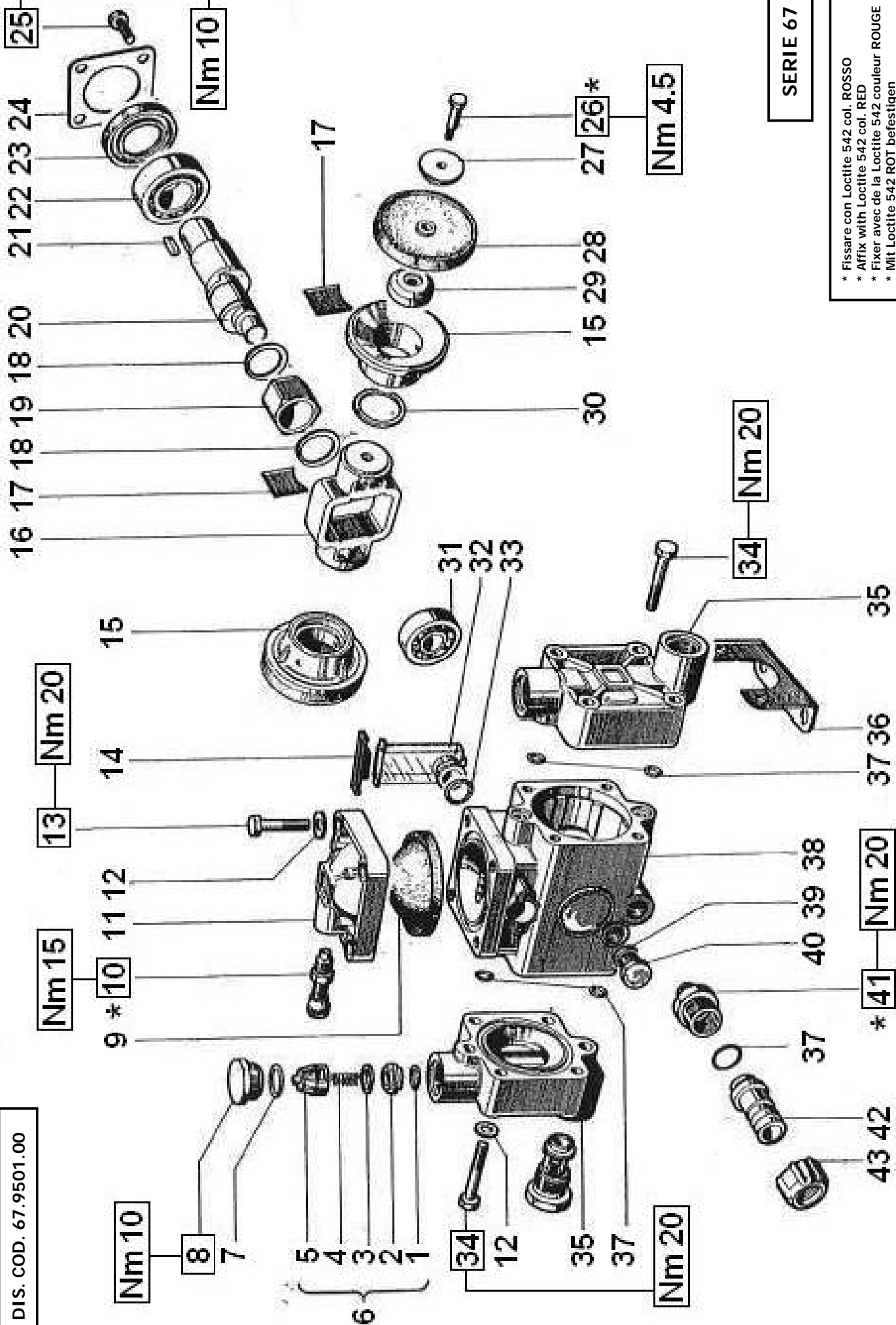
M60082

KIT RICAMBI - SPARE KITS

KIT N°.	KIT 83	KIT 123	KIT 196	KIT 198	KIT 200	KIT 226	KIT 267
Posizioni include Positions included	35	50 - 51 52 - 53 54 (57)	44 - 46 47	45	42 - 43	42 - 43 44 - 45 46 - 47	55 - 66 - 67 68 - 69 - 70 71 - 72 - 73 74 - 75 - 76 77 - 78 - 79
Nr. Pcs.	3	6	3	3	3	1	1

POS	COD.	DESCRIZIONE - DESCRIPTION - KIT	NR
1	60.0100.22	Carter pompa	1
2	91.8328.00	Cuscinetto a sfere	2
3	90.3898.00	OR D. 56.82x2.62 NBR SH. 70 159	1
4	53.2108.51	Vetrino spia livello olio	1
5	53.1500.22	Coperchio laterale carter	1
6	99.1807.00	Vite M6x10 UNI 5739	4
7	60.0500.66	Guida pistone	3
8	60.0300.22	Biella	3
9	97.7333.00	Spinotto D. 9x24.5	3
10	90.3918.00	OR D. 94.92x2.62 NBR SH. 70 3375	1
11	60.1600.22	Coperchio posteriore	1
12	90.3585.00	OR D. 10.82x1.78 NBR SH. 70 2043	1
13	98.2042.50	Tappo G 1/4"x9 TE17 - Zinc.	1
14	99.1867.00	Vite M6x18 UNI 5931	4
15	98.2103.00	Tappo con asta G 3/8"x51	1
16	90.0635.00	Anello d'arresto A25 UNI 7435	1
17	90.1641.00	Anello rad. D. 25.0x62.0x10.0	1
18	60.0217.35	Albero ecc. C. 11.5	1
19	91.4892.00	Linguetta 8x7x35	1
20	99.1837.00	Vite M6x14 UNI 5931	4
21	95.0193.00	Mot. mono. 1.7 Kw Gr.80	1
22	43.2103.47	Guarnizione	1
23	40.2146.11	Scatola elettrica completa	1
24	99.1542.00	Vite M5x12 UNI 8112	4
25	93.5240.00	Farmacavo	1
26	99.0840.00	Vite D. 3.5x13 UNI 7049	2
27	40.2145.47	Guarnizione scatola elettrica	1
28	93.5646.00	Condensatore 40 µF	1
29	92.8230.00	Clip ferma condensatore	1
30	10.7441.01	Cavo elettrico	1
31	99.1274.00	Vite M4x10 UNI 8112	1
32	96.6842.00	Rosetta D. 4.3x8.0x0.5	1
33	93.5042.00	Interruttore	1
34	99.0845.00	Vite D. 3.5x16 UNI 7049	4
35	90.1565.00	Anello rad. D. 15.0x24.0x5.0	83
36	96.7070.00	Rosetta D. 9.0x23.0x0.5	3
37	90.5022.00	Anello antiest. D. 6.2x9.0x1.5	3
38	90.3573.00	OR D. 5.28x1.78 NBR SH. 70 2021	3
39	60.0400.09	Pistone D. 15x30	3
40	44.2115.70	Rosetta D. 8 con collare	3
41	92.2216.00	Dado M8x13x5	3
42	60.0800.70	Anello di fondo D. 15	200-226
43	90.3604.00	OR D. 25.12x1.78 NBR SH. 70 2100	3
44	90.2608.00	Anello ten. alt. D. 15x22x5	196-226
45	60.2160.70	Anello intermedio D. 15	198-226
46	90.2620.00	Anello ten. alt. D. 15x25x5/3.1	196-226
47	51.1000.51	Anello di testa D. 15	196-226
48	60.1204.41	Testata D. 15 con valvola	1
49	99.1950.00	Vite M6x45 UNI 5931	8
50	90.3841.00	OR D. 17.13x2.62 NBR SH. 70 3068	6
51	36.2003.66	Sede valvola	123
52	36.2001.76	Valvola	123
53	94.7376.00	Molla Dm. 9.4x14.8	123
54	36.2025.51	Guida valvola	123
55	90.3847.00	OR D. 20.24x2.62 NBR SH. 70 3081	267
56	98.2214.00	Tappo valvola M24x1.5	6
57	36.7115.01	Gr. valvola aspiraz./mandata	123
58	90.3833.00	OR D. 13.95x2.62 NBR SH. 70 3056	1
59	10.0078.70	Nipplo G 3/8" per ugello iniettore	1
60	98.1966.00	Tappo G 1/8"x8	1
61	98.2057.00	Tappo M14x1x9	1
62	96.7514.00	Rosetta D. 21.5x27.0x1.5	1
63	98.2176.00	Tappo G 1/2"x10	1
64	96.7380.00	Rosetta D. 17.5x23.0x1.5	1
65	98.2100.00	Tappo G 3/8"x13	1
66	90.3823.00	OR D. 9.92x2.62 NBR SH. 70 112	267
67	36.0056.70	Distanziale sede valvola	267
68	90.3576.00	OR D. 6.75x1.78 NBR SH. 70 106	267
69	10.0085.66	Sede valvola	267
70	36.3239.66	Valvola	267
71	36.0055.70	Boccola	267
72	90.5007.00	Anello antiest. D. 4.0x6.8x1.5	267
73	90.3569.00	OR D. 3.69x1.78 NBR SH. 70 2015	267
74	90.3570.00	OR D. 4.48x1.78 NBR SH. 70 2018	267
75	90.5020.00	Anello antiest. D. 5.2x8.0x1.5	267
76	36.3237.70	Pistoncino di comando	267
77	94.7400.00	Molla Dm. 11.8x28.5	267
78	99.1261.00	Vite M4x4 UNI 5923	267
79	36.0054.70	Pomolo	267
80	95.0191.00	Mot. 1.7 KW Gr.80 Completo	1
81	90.3859.00	OR D. 25.07x2.62 NBR SH. 70 3100	1
82	90.0671.00	Anello d'arresto ZJ30	1

DIS. COD. 67.9501.00



SERIE 67

- * Fissare con Loctite 542 col. ROSSO
- * Affix with Loctite 542 col. RED
- * Fixer avec de la Loctite 542 couleur ROUGE
- * Mit Loctite 542 ROT befestigen
- * Fijar con Loctite 542 col. ROJO
- * Fixar com Loctite 542 cor. VERMELHA



T12



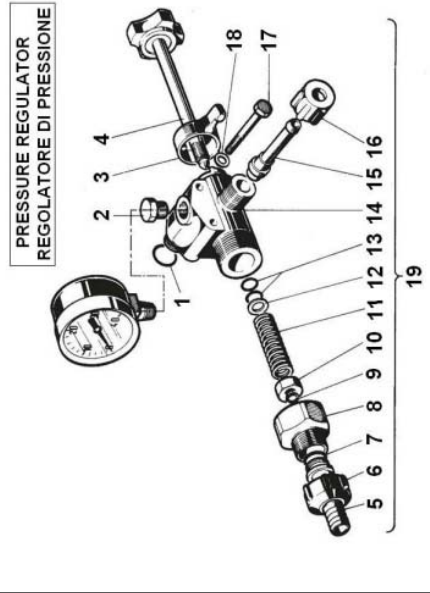
KIT RICAMBI - SPARE KITS

KIT Nr.	KIT 33	KIT 34	KIT 35	KIT 50
Posizioni include Positions included	1 - 2 - 3 4 - 5 - 7 8 (6)	9 - 10 11	26 - 27 28 - 29	4 - 8 - 9 12 - 13
Nr. Pcs.	4	1	2	4

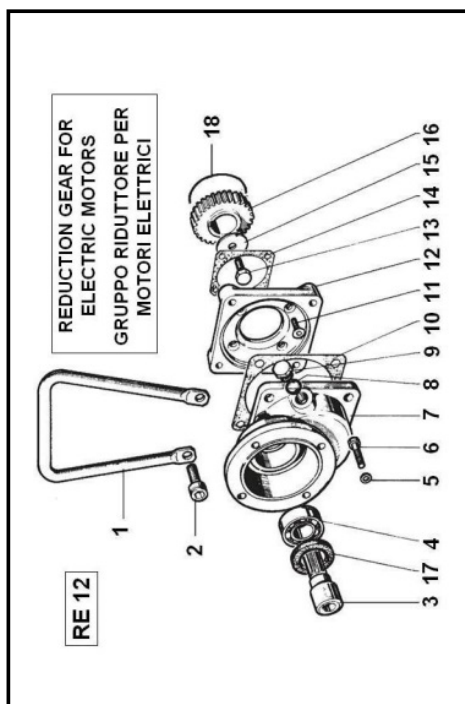
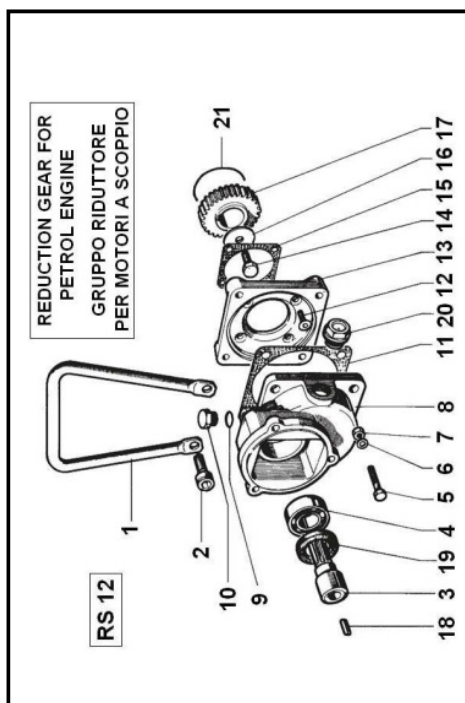
POS	COD.	DESCRIZIONE - DESCRIPTION - KIT	NR
1	90.3841.00	OR D. 17.13x2.62 NBR SH. 70 3068	33 4
2	36.2003.66	Sede valvola	33 4
3	36.2001.76	Valvola	33 4
4	94.7376.00	Molla Dm. 9.4x14.8	33 4
5	36.2002.51	Guida valvola	33 4
6	36.7032.01	Gr. valvola aspiraz./mandata	33 4
7	90.3847.00	OR D. 20.24x2.62 NBR SH. 70 3081	33 4
8	98.2221.00	Tappo M24x2x15	33 4
9	46.1700.47	Membrana accumulatore	34 1
10	98.8650.00	Valvola aria	34 1
11	46.1802.22	Accumulatore di pressione	34 1
12	96.7020.00	Rosetta D. 8.4x15.0x1.5	12
13	99.3114.00	Vite M8x40 UNI 5737	4
14	46.2104.47	Coperchio serbatoio olio	1
15	67.0600.02	Camicia D. 34	2
16	67.2102.22	Slitta con pistone D. 34	1
17	46.2101.74	Piastrina di spinta	2
18	90.0634.00	Anello d'arresto SW25	2
19	46.2100.70	Anello comando slitta	1
20	46.0200.35	Albero ecc. C.10	1
21	91.4870.00	Linguetta 8x7x15 UNI 6604	1
22	91.8325.00	Cuscinetto a sfere	1

POS	COD.	DESCRIZIONE - DESCRIPTION - KIT	NR
23	90.1639.00	Anello rad. D. 25.0x52.0x7.0	1
24	46.1500.74	Coperchio carter	1
25	99.1807.00	Vite M6x10 UNI 5739	4
26	67.2106.70	Vite fissaggio membrana	35 2
27	67.1100.51	Piattello superiore membrana	35 2
28	67.0900.47	Membrana pistone	35 2
29	67.0700.51	Piattello inferiore membrana	35 2
30	92.7743.00	Fascia elastica D. 34	2
31	91.8020.00	Cuscinetto a sfere	1
32	46.2103.51	Serbatoio carico olio	1
33	90.3833.00	OR D. 13.95x2.62 NBR SH. 70 3056	1
34	99.3127.00	Vite M8x45 UNI 5737	8
35	67.1201.22	Testata pompa	2
36	46.2000.74	Piedino pompa	2
37	90.3825.00	OR D. 10.78x2.62 NBR SH. 70 3043	5
38	46.0100.22	Carter pompa	1
39	90.3585.00	OR D. 10.82x1.1.78 NBR SH. 70 2043	1
40	98.2042.50	Tappo G 1/4"x9 TE17 - Zinc.	1
41	95.2870.00	Nipplo doppio G 3/8"x 3/4"	1
42	96.3305.00	Raccordo diritto D. 16	1
43	92.9830.00	Galletto G 3/4"	1

REGOLATORE DI PRESSIONE - PRESSION REGULATOR			
POS	COD.	DESCRIZIONE - DESCRIPTION - KIT	NR
1	90.3825.00	OR D. 10.78x2.62 NBR SH. 70 3043	1
2	98.1966.00	Tappo G 1/8"x8	1
3	36.0003.51	Leva	1
4	36.0002.02	Asta con pomolo	50 1
5	96.3275.00	Raccordo diritto D. 12	1
6	92.9770.00	Galletto G 1/2"	1
7	90.3585.00	OR D. 10.82x1.78 NBR SH. 70 2043	1
8	36.0004.70	Sede valvola	50 1
9	90.0521.00	Anello d'arresto A06 UNI 7435	50 1
10	92.2220.00	Dado M8x1.25	1
11	94.7386.00	Molla Dm. 10.5x38.0	1
12	96.7010.00	Rosetta D. 8.25x12.0x1.0	50 1
13	90.3578.00	OR D. 7.66x1.78 NBR SH. 70 2031	50 2
14	36.0000.51	Corpo valvola	1
15	96.3245.00	Raccordo diritto D. 8	1
16	92.9750.00	Galletto G 3/8"	1
17	99.1642.00	Vite M5x40 UNI 5737	2
18	96.6880.00	Rosetta D. 5.0x11.0x1.0	2
19	36.7002.01	Gr. valvola reg. pressione	1



POS	COD.	DESCRIZIONE - DESCRIPTION - KIT	NR
19	90.1630.00	Anello rad. D. 24.0x42.0x8.0	1
20	97.5936.00	Spia livello olio G 1/2"	1
21	90.3885.00	OR D. 45.69x2.62 NBR SH. 70 3181	1

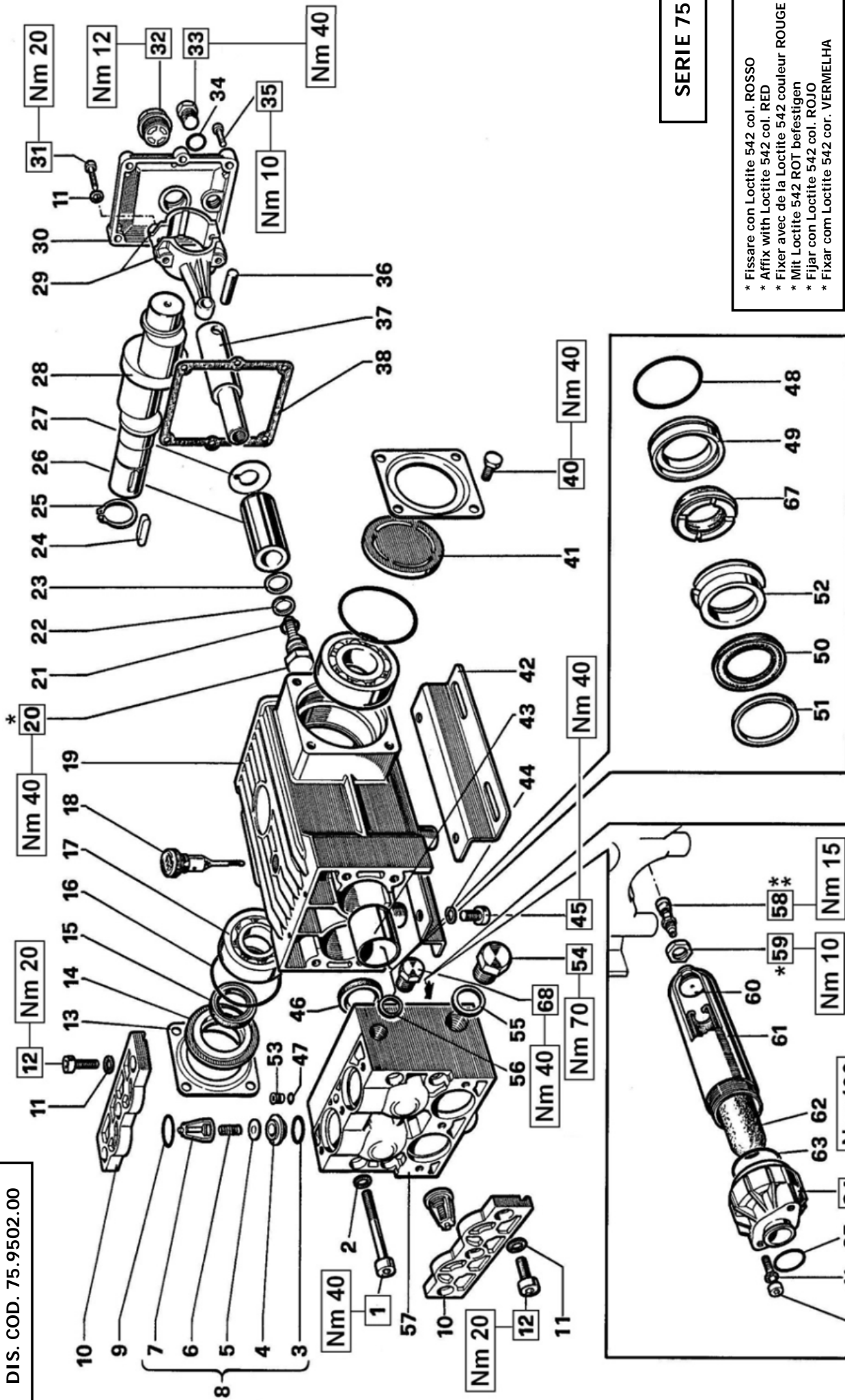


GRUPPO RIDUTTORE PER MOTORI A SCOPPIO REDUCTION GEAR FOR PETROL MOTOR			
POS	COD.	DESCRIZIONE - DESCRIPTION - KIT	NR
1	67.2120.64	Manico	1
2	99.3652.00	Vite M10x20 UNI 5931	4
3	67.2110.65	Pignone Z10	1
4	91.8215.00	Cuscinetto a sfere	1
5	99.1597.00	Vite M5x25 UNI 5737	3
6	96.6880.00	Rosetta D. 5.0x11.0x1.0	3
7	92.1975.00	Dado M5x8x4 UNI 5588	3
8	67.2108.22	Carter riduttore	1
9	90.3585.00	OR D. 10.82x1.78 NBR SH. 70 2043	1
10	98.2042.50	Tappo G 1/4"x9	1
11	67.2113.84	Guarnizione carter	1
12	99.1850.00	Vite M6x16 UNI 5933	4
13	67.2109.22	Flangia	1
14	99.3037.00	Vite M8x16 UNI 5739	1
15	67.2112.84	Guarnizione flangia	1
16	96.7045.00	Rosetta D. 8.5x32.0x2.5	1
17	67.2111.55	Corona Z58	1
18	91.4680.00	Linguetta 4x4x20 UNI 6604	1

GRUPPO RIDUTTORE PER MOTORI ELETTRICI REDUCTION GEAR FOR ELECTRIC MOTOR			
POS	COD.	DESCRIZIONE - DESCRIPTION - KIT	NR
1	67.2120.64	Manico	1
2	99.3652.00	Vite M10x20 UNI 6004	4
3	67.2117.65	Pignone Z10	1
4	91.8215.00	Cuscinetto a sfere	1
5	96.6940.00	Rosetta D. 6.4x12x1	4
6	99.1882.00	Vite M6x20 UNI 5739	4
7	67.2116.21	Carter riduttore	1
8	90.3585.00	OR D. 10.82x1.78 NBR SH. 70 2043	1
9	98.2042.50	Tappo G 1/4"x9	1
10	67.2113.84	Guarnizione carter	1
11	99.1850.00	Vite M6x16 UNI 5933	4
12	67.2109.22	Flangia	1
13	99.3037.00	Vite M8x16 UNI 5739	1
14	67.2112.84	Guarnizione flangia	1
15	96.7045.00	Rosetta D. 8.5x32.0x2.5	1
16	67.2118.55	Corona Z35	1
17	90.1644.00	Anello rad. D. 30.0x42.0x7.0	1
18	90.3885.00	OR D. 45.69x2.62 NBR SH. 70 3181	1



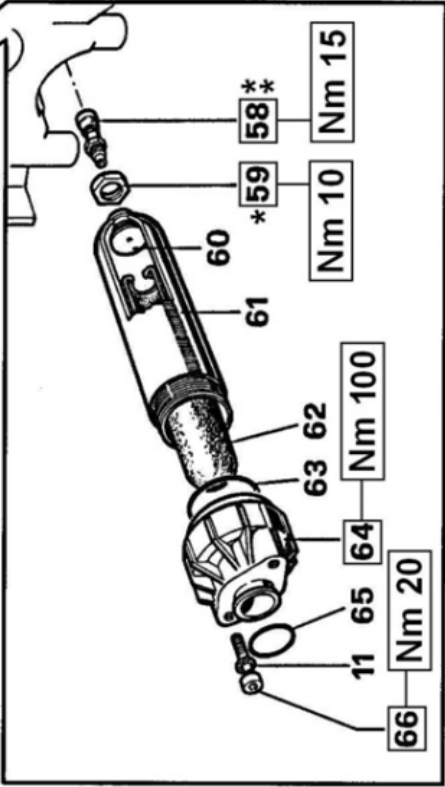
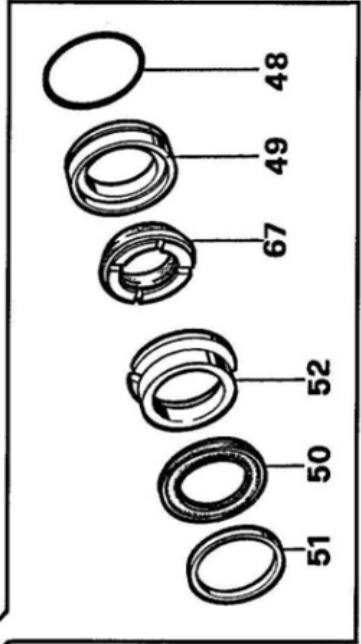
DIS. COD. 75.9502.00



SERIE 75

* Fissare con Loctite 542 col. ROSSO
 * Affix with Loctite 542 col. RED
 * Fixer avec de la Loctite 542 couleur ROUGE
 * Mit Loctite 542 ROT befestigen
 * Fijar con Loctite 542 col. ROJO
 * Fixar com Loctite 542 cor. VERMELHA

** Fissare con Loctite 270 col. VERDE
 ** Affix with Loctite 270 col. GREEN
 ** Fixer avec de la Loctite 270 couleur VERT
 ** Mit Loctite 270 GRUN befestigen
 ** Fijar con Loctite 270 col. VERDE
 ** Fixar com Loctite 270 cor. VERDE




KIT RICAMBI - SPARE KITS


KIT Nr.	KIT 32	KIT 37	KIT 38	KIT 39	KIT 40	KIT 41	KIT 42	KIT 62	KIT 74
Posizioni Include Positions included	15	46	50 - 67	48 - 49 50 - 51 52 - 67	48 - 49	51	52	3 - 4 5 - 6 7 (8)	20 - 21 22 - 23
Nr. Pcs.	2	3	3	1	1	6	3	6	3

POS	COD.	DESCRIZIONE - DESCRIPTION - KIT	NR
23	96.7555.00	Rosetta D. 22.0x27.0x0.5	74 2
24	91.4878.00	Linguetta 8x7x25 UNI 6604	1
25	90.0695.00	Anello d'arresto A35 UNI 7435	1
26	69.0400.09	Pistone D. 36	2
27	96.7565.00	Rosetta D. 22.3x42.0x0.5	2
28	75.0203.35 75.0205.35 75.0208.35	Albero ecc. C.24 - D.35 Albero ecc. C.24 - 1-3/8" Albero ecc. C.24 - 1-3/8" - D.35	1
29	69.0300.01	Biella completa	2
30	75.1600.22	Coperchio carter	1
31	99.3099.00	Vite M8x35 UNI 5931	4
32	97.5968.00	Spia livello olio G 3/4"	1
33	98.2100.50	Tappo G 3/8"x13 TE22 - Zinc.	1
34	90.3833.00	OR D. 13.95x2.62 NBR SH. 70 3056	1
35	99.1867.00	Vite M6x18 UNI 5931	6
36	97.7398.00	Spinotto D. 14x31.5	2
37	69.0500.22	Guida pistone	2
38	75.2119.84	Guarnizione coperchio	1
40	99.3636.00	Vite M10x16 UNI 5739	8
41	69.2116.51	Distanziale	1
42	47.2000.74	Piedino pompa	2
43	90.9162.00	Boccola D. 32x36x40	2
44	96.7106.00	Rosetta D. 10.2x16.1x2.5	4
45	99.3644.00	Vite M10x18 UNI 5931	4

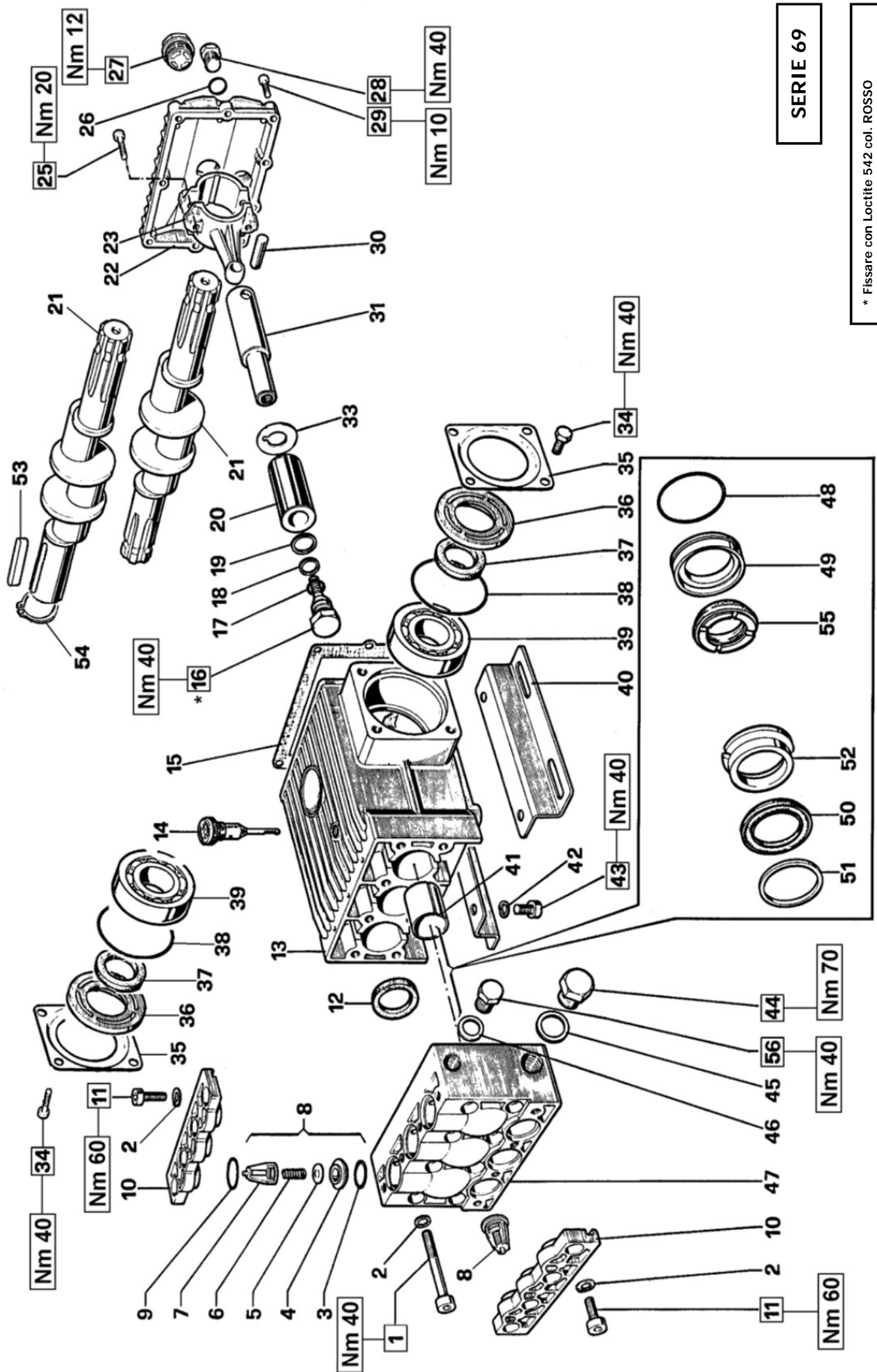
POS	COD.	DESCRIZIONE - DESCRIPTION - KIT	NR
46	90.1656.00	Anello rad. D. 32.0x42.0x7.0	37 2
47	90.3576.00	OR D. 6.75x1.78 NBR SH. 70 106	1
48	90.3885.00	OR D. 45.69x2.62 NBR SH. 70 3181 39-40	2
49	69.0802.70	Anello di fondo D. 36	39-40 2
50	90.2820.00	Anello ten. alt. D. 36x48x6/3.5 HP 38-39	2
51	69.1002.93	Anello di testa D. 36	39-41 2
52	69.2168.70	Anello intermedio D. 36	39-42 2
53	75.2203.70	Tappo	1
54	98.2265.00	Tappo G 3/4"x16	1
55	96.7700.00	Rosetta D. 26.5x32.0x1.5	1
56	96.7380.00	Rosetta D. 17.5x23.0x1.5	1
57	75.1200.22	Testata pompa	1
58	98.8650.00	Valvola aria G 1/8"x11.5	1
59	92.2562.00	Dado M16x1.5x20x4.5	1
60	75.2105.70	Vite fissaggio membrana	1
61	75.1800.89	Accumulatore superiore	1
62	75.1700.47	Membrana accumulatore	1
63	90.4077.00	OR D. 44.45x3.53 NBR SH. 70 149	1
64	75.1900.64	Accumulatore inferiore	1
65	90.4041.00	OR D. 20.22x3.53 NBR SH. 70 4081	1
66	99.3084.00	Vite M8x30 UNI 5931	2
67	90.2823.00	Anello ten. alt. D. 36x48x7.5 LP 38-39	2
68	98.2100.00	Tappo G 3/8"x13	1



T33



POS	COD.	DESCRIZIONE - DESCRIPTION - KIT	NR
1	99.3787.00	Vite M10x80 UNI 5931	4
2	96.7104.00	Rosetta D. 10.5x16.0x1.0	4
3	90.3859.00	OR D. 25.07x2.62 NBR SH. 70 3100 62	4
4	36.2017.66	Sede valvola	62 4
5	36.2018.76	Valvola	62 4
6	94.7394.00	Molla Dm. 10.7x22.5	62 4
7	36.2008.51	Guida valvola	62 4
8	36.7060.01	Gr. valvola aspiraz./mandata	62 4
9	90.4055.00	OR D. 29.75x3.53 NBR SH. 70 4118	4
10	75.2180.22	Coperchio valvole	2
11	96.7014.00	Rosetta D. 8.4x13.0x0.8	12
12	99.3059.00	Vite M8x20 UNI 5931	6
13	68.1500.74	Coperchio carter	2
14	69.2115.51	Distanziale	1
15	90.1672.00	Anello rad. D. 35.0x52.0x8.0	32 1
16	90.4131.00	OR D. 73.03x3.53 NBR SH. 70 176	2
17	91.8470.00	Cuscinetto a sfere 6207	2
18	98.2106.00	Tappo carico olio	1
19	75.0100.22	Carter pompa	1
20	69.2195.66	Vite fissaggio pistone	74 2
21	90.3841.00	OR D. 17.13x2.62 NBR SH. 70 3068 74	2
22	90.5107.00	Anello antiest. D. 17.4x22.0x1.5	74 2





SERIE 69

* Fissare con Loctite 542 col. ROSSO
 * Affix with Loctite 542 col. RED
 * Fixer avec de la Loctite 542 couleur ROUGE
 * Mit Loctite 542 ROT befestigen
 * Fijar con Loctite 542 col. ROJO
 * Fixar com Loctite 542 cor. VERMELHA

DIS. COD. 69.9513.00

KIT RICAMBI – SPARE KITS

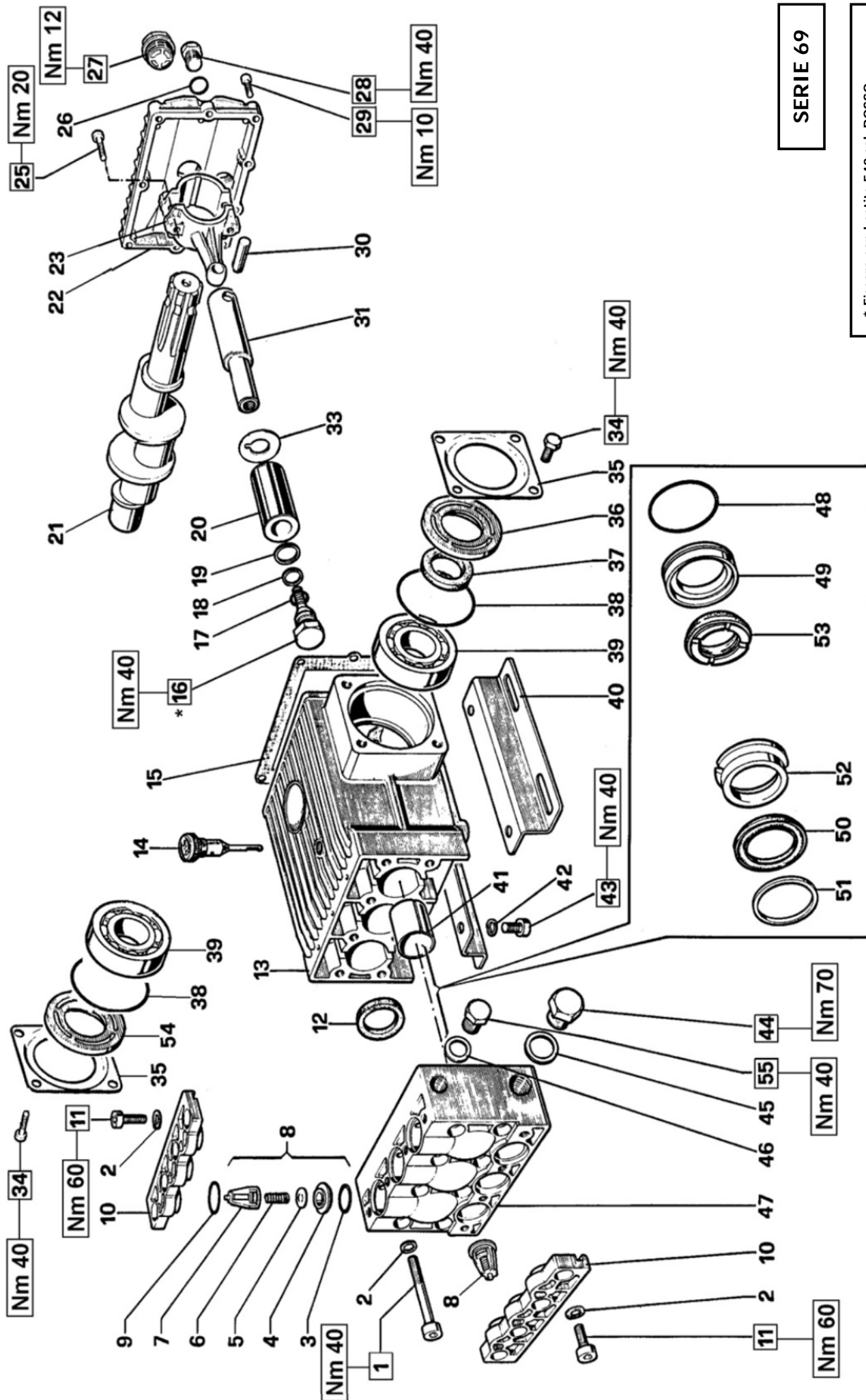
	
T44 – T55	
	

KIT Nr.	KIT 32	KIT 37	KIT 38	KIT 39	KIT 40	KIT 41	KIT 42	KIT 62	KIT 74
Posizioni include Positions included	37	12	50 - 55	48 - 49 50 - 51 52 - 55	48 - 49	51	52	3 - 4 5 - 6 7 (8)	16 - 17 18 - 19
Nr. Pcs.	2	3	3	1	3	6	3	6	3

POS	COD.	DESCRIZIONE – DESCRIPTION - KIT	NR
22	69.1600.22	Coperchio posteriore carter	1
23	69.0300.01	Biella – Completa	3
25	99.3099.00	Vite M8x35 UNI 5931	6
26	90.3833.00	OR D. 13.95x2.62 NBR SH. 70 3056	1
27	97.5968.00	Spia livello olio G 3/4"	1
28	98.2100.50	Tappo G 3/8"x13 TE22 – Zinc.	1
29	99.1867.00	Vite M6x18 UNI 5931	9
30	97.7398.00	Spinotto D. 14x31.5	3
31	69.0500.22	Guida pistone	3
33	96.7565.00	Rosetta D. 22.3x41.2x0.5	3
34	99.3636.00	Vite M10x19 UNI 5739	8
35	68.1500.74	Coperchio laterale carter	2
36	69.2115.51	Distanziale	2
37	90.1672.00	Anello rad. D. 35.0x52.0x8.0	32
38	90.4131.00	OR D. 73.03x3.53 NBR SH. 70 176	2
39	91.8480.00	Cuscinetto a sfere	2
40	47.2000.74	Piedino pompa	2
41	90.9162.00	Boccola D. 32x36x40	3
42	96.7106.00	Rosetta D. 10.2 DIN 7980	4
43	99.3644.00	Vite M10x18 UNI 5931	4
44	98.2265.00	Tappo G 3/4"x16	1
45	96.7700.00	Rosetta D. 26.5x32.0x1.5	1
46	96.7380.00	Rosetta D. 17.5x23.0x1.5	1

POS	COD.	DESCRIZIONE – DESCRIPTION - KIT	NR
47	69.1200.22	Testata pompa	1
48	90.3885.00	OR D. 45.69x2.62 NBR SH. 70 3181 39-40	3
49	69.0802.70	Anello di fondo D. 36	39-40
50	90.2820.00	Anello ten. alt. D. 36x48x6/3.5 HP	38-39
51	69.1002.93	Anello di testa D. 36	39-41
52	69.2168.70	Anello intermedi D. 36	39-42
53	91.4969.00	Linguetta 10x8x40 Uni 6604	1
54	90.0695.00	Anello d'arresto A35 UNI 7435	1
55	90.2823.00	Anello ten. alt. D. 36x48x7.5 LP	38-39
56	98.2100.00	Tappo G 3/8"x13	1

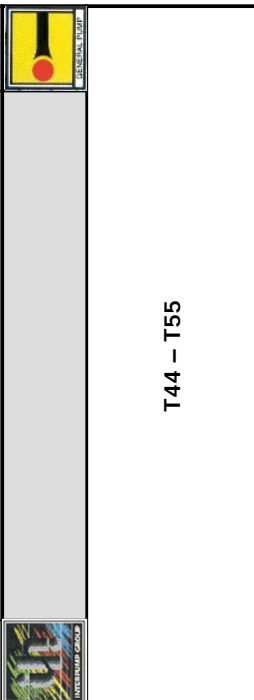
POS	COD.	DESCRIZIONE – DESCRIPTION - KIT	NR
1	99.3787.00	Vite M10x80 UNI 5931	8
2	96.7104.00	Rosetta D. 10.5x16.0x1.0	16
3	90.3859.00	OR D. 25.07x2.62 NBR SH. 70 3100 62	6
4	36.2017.66	Sede valvola	62
5	36.2018.76	Valvola	62
6	94.7394.00	Molla Dm. 10.7x22.5	62
7	36.2008.51	Guida valvola	62
8	36.7060.01	Gr. valvola aspiraz./mandata	62
9	90.4055.00	OR D. 29.75x3.53 NBR SH. 70 4118	6
10	69.2180.22	Coperchio valvole	2
11	99.3671.00	Vite M10x25 UNI 5931	8
12	90.1656.00	Anello rad. D. 32.0x42.0x7.0	37
13	69.0100.22	Carter pompa	1
14	98.2106.00	Tappo carico olio G 3/8"	1
15	69.2119.84	Guarnizione coperchio posteriore	1
16	69.2195.66	Vite fissaggio pistone	74
17	90.3841.00	OR D. 17.13x2.62 NBR SH. 70 3068 74	3
18	90.5107.00	Anello antiest. D. 17.4x22.0x1.5	74
19	96.7555.00	Rosetta D. 22.0x27.0x0.5	74
20	69.0400.09	Pistone D. 36x60	3
21	69.0200.35 69.0207.35	Albero ecc. C.24 - 1-3/8" - 1-3/8" Albero ecc. C.24 - 1-3/8" - D.35	1



SERIE 69

* Fissare con Loctite 542 col. ROSSO
 * Affix with Loctite 542 col. RED
 * Fixer avec de la Loctite 542 couleur ROUGE
 * Mit Loctite 542 ROT befestigen
 * Fijar con Loctite 542 col. ROJO
 * Fixar com Loctite 542 cor. VERMELHA

T44 – T55



POS	COD.	DESCRIZIONE – DESCRIPTION - KIT	NR
1	99.3787.00	Vite M10x80 UNI 5931	8
2	96.7104.00	Rosetta D. 10.5x16.0x1.0	16
3	90.3859.00	OR D. 25.07x2.62 NBR SH. 70 3100 ⁶²	6
4	36.2017.66	Sede valvola	62
5	36.2018.76	Valvola	62
6	94.7394.00	Molla Dm. 10.7x22.5	62
7	36.2008.51	Guida valvola	62
8	36.7060.01	Gr. valvola aspiraz./mandata	62
9	90.4055.00	OR D. 29.75x3.53 NBR SH. 70 4118	6
10	69.2180.22	Coperchio valvole	2
11	99.3671.00	Vite M10x25 UNI 5931	8
12	90.1656.00	Anello rad. D. 32.0x42.0x7.0	37
13	69.0100.22	Carter pompa	1
14	98.2106.00	Tappo carico olio G. 3/8"	1
15	69.2119.84	Guarnizione coperchio posteriore	1
16	69.2195.66	Vite fissaggio pistone	74
17	90.3841.00	OR D. 17.13x2.62 NBR SH. 70 3068 ⁷⁴	3
18	90.5107.00	Anello antiest. D. 17.4x22x1.5	74
19	96.7555.00	Rosetta D. 22.0x27.0x0.5	74
20	69.0400.09	Pistone D. 36x60	3
21	69.0203.35	Albero ecc. C.24 – 1-3/8"	1
22	69.1600.22	Coperchio posteriore carter	1

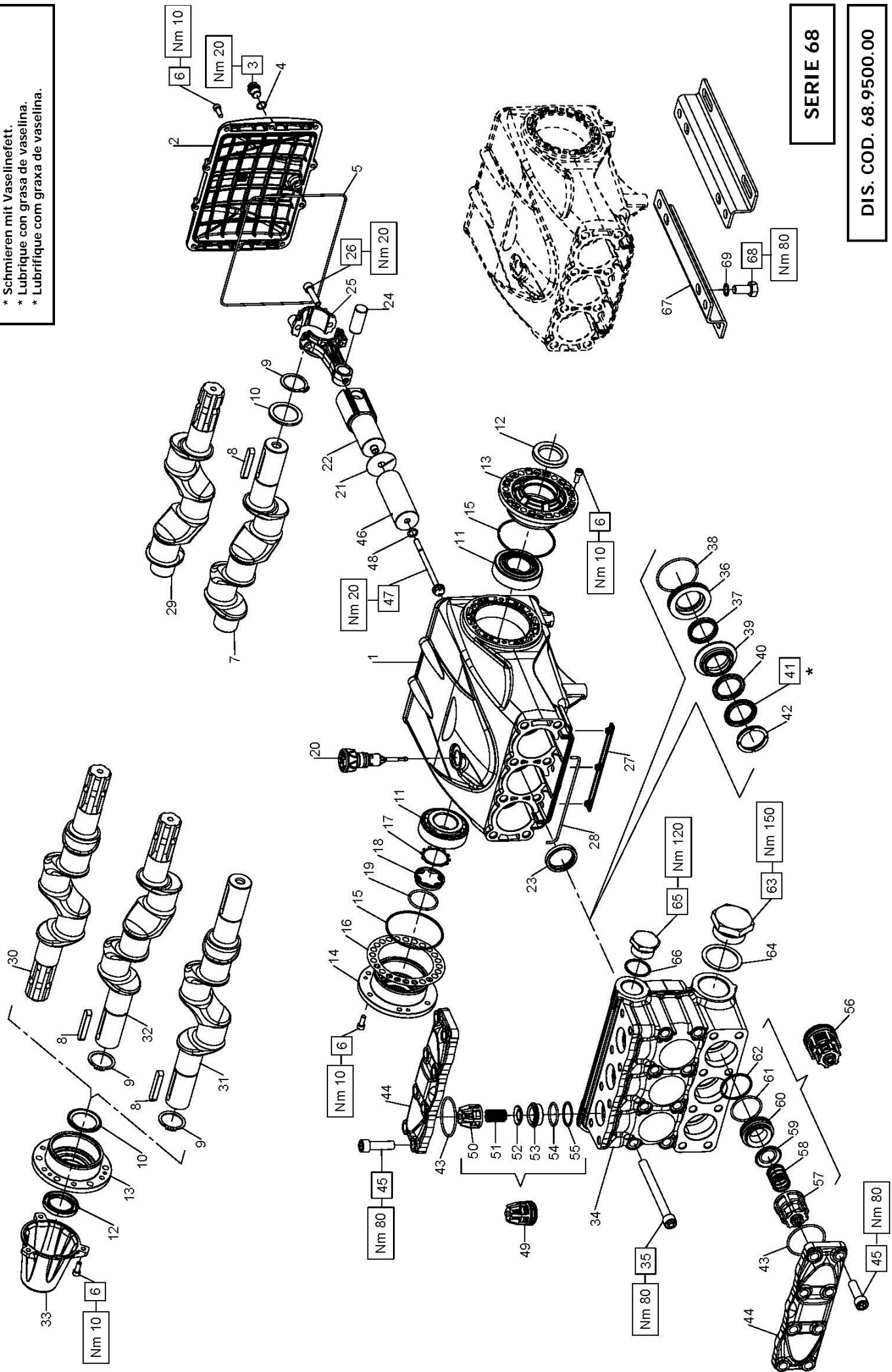
KIT RICAMBI – SPARE KITS

KIT Nr.	KIT 32	KIT 37	KIT 38	KIT 39	KIT 40	KIT 41	KIT 42	KIT 62	KIT 74
Posizioni include Positions included	37	12	50 - 53	48 - 49 50 - 51 52 - 53	48 - 49	51	52	3 - 4 5 - 6 7 (8)	16 - 17 18 - 19
Nr. Pcs.	2	3	3	1	3	6	3	6	3

POS	COD.	DESCRIZIONE – DESCRIPTION - KIT	NR
47	69.1200.22	Testata pompa	1
48	90.3885.00	OR D. 45.69x2.62 NBR SH. 70 3181 ³⁹⁻⁴⁰	3
49	69.0802.70	Anello di fondo D. 36	39-40
50	90.2820.00	Anello ten. alt. D. 36x48x6/3.5 HP	38-39
51	69.1002.93	Anello di testa D. 36	39-41
52	69.2168.70	Anello intermedi D. 36	39-42
53	90.2823.00	Anello ten. alt. D. 36x48x7.5 LP	38-39
54	69.2116.51	Distanziale	1
55	98.2100.00	Tappo G. 3/8"x13	1

POS	COD.	DESCRIZIONE – DESCRIPTION - KIT	NR
23	69.0300.01	Biella – Completa	3
25	99.3099.00	Vite M8x35 UNI 5931	6
26	90.3833.00	OR D. 13.95x2.62 NBR SH. 70 3056	1
27	97.5968.00	Spia livello olio G. 3/4"	1
28	98.2100.50	Tappo G. 3/8"x13 TE22 – Zinc.	1
29	99.1867.00	Vite M6x18 UNI 5931	9
30	97.7398.00	Spinotto D. 14x31.5	3
31	69.0500.22	Guida pistone	3
33	96.7565.00	Rosetta D. 22.3x41.2x0.5	3
34	99.3636.00	Vite M10x19 UNI 5739	8
35	68.1500.74	Coperchio laterale carter	2
36	69.2115.51	Distanziale	1
37	90.1672.00	Anello rad. D. 35.0x52.0x8.0	32
38	90.4131.00	OR D. 73.03x3.53 NBR SH. 70 176	2
39	91.8480.00	Cuscinetto a sfere	2
40	47.2000.74	Piedino pompa	2
41	90.9162.00	Boccola D. 32x36x40	3
42	96.7106.00	Rosetta D. 10.2 DIN 7980	4
43	99.3644.00	Vite M10x18 UNI 5931	4
44	98.2265.00	Tappo G. 3/4"x16	1
45	96.7700.00	Rosetta D. 26.5x32.0x1.5	1
46	96.7380.00	Rosetta D. 17.5x23.0x1.5	1

- * Lubrificare con grasso di vaselina.
- * Lubricate with vaseline grease.
- * Graisser avec de la graisse su vaseline.
- * Schmierem mit Vaselinefett.
- * Lubrifique con grasa de vaselina.



SERIE 68

DIS. COD. 68.9500.00



KIT RICAMBI - SPARE KITS

KIT NR.	KIT 295	KIT 296	KIT 297	KIT 298	KIT 299	D. 40	D. 45	D. 50
Posizioni incluse Positions included	43 - 50 51 - 52 53 - 54 55 (49)	43 - 57 58 - 59 60 - 61 62 (56)	23	12	37 - 38 40 - 41 42	37 - 38 40 - 41 42	37 - 38 40 - 41 42	37 - 38 40 - 41 42
Nr. Pcs.	3	3	3	2	3	3	3	3

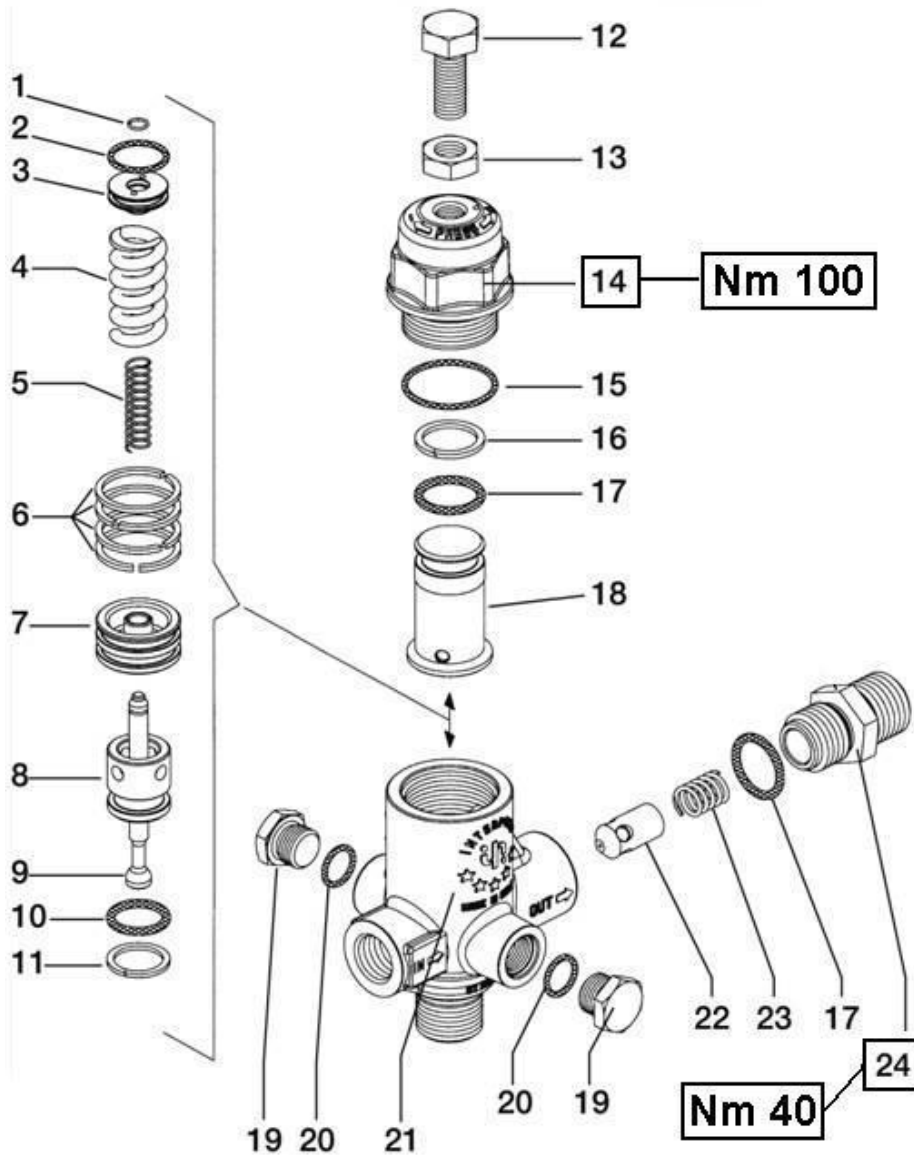
PISTON D. 36	PISTON D. 40	PISTON D. 45	PISTON D. 50
AB80 - AB90	AB100 - AB110	AB120 - AB140	AB150 - AB180

POS	COD.	DESCRIZIONE - DESCRIPTION - KIT	KIT	NR
26	99.3099.00	Vite serraggio biella		6
27	68.2106.51	Protezione		1
28	68.2107.82	Guarnizione spugna D. 3x190		1
29	68.0201.35	Albero ecc. C.45 - 1-3/8"		1
30	68.0203.35	Albero ecc. C.45 - 1-3/8" D.PTO		1
31	68.0202.35	Albero ecc. C.45 - D.PTO		1
32	68.0204.35	Albero ecc. C.45 - 1-3/8-D. 35 D.PTO		1
33	68.2108.51	Protezione codolo D.PTO		1
34	68.1200.13 68.1201.13 68.1202.13 68.1203.13	Testata pistone D. 36 Testata pistone D. 40 Testata pistone D. 45 Testata pistone D. 50		1
35	99.4466.00	Vite M12x130 5931		8
36	68.0800.70 68.0801.70 68.0802.70 68.0803.70	Anello di fondo D. 36 Anello di fondo D. 40 Anello di fondo D. 45 Anello di fondo D. 50		3
37	90.2798.00 90.2846.00 90.2860.00 90.2828.00	Anello ten. alt. D. 36x44x5.5 LP Anello ten. alt. D. 45x53x5.5 LP Anello ten. alt. D. 50x58x5.5 LP Anello ten. alt. D. 40x48x5.5 LP		3
38	90.3900.00 D. 36-40 90.3907.00 D. 45-50	OR D. 58.42x2.62 NBR SH. 70 3231 299-300 OR D. 63.17x2.62 NBR SH. 70 3550 301-302		3
39	68.2100.70 68.2101.70 68.2102.70 68.2103.70	Anello intermedio D. 36 Anello intermedio D. 40 Anello intermedio D. 45 Anello intermedio D. 50		3
40	90.2838.00 90.2865.00 90.2818.00 90.2848.00	Anello RESTOP D. 40x55x8/4.5 Anello RESTOP D. 50x65x8/4.5 Anello RESTOP D. 36x48x6/3 Anello RSESTOP D. 45x60x6.5/3		3
41	90.2820.00 90.2832.00	An. ten. alt. D. 36x48x6/3.5 HP An. ten. alt. D. 40x55x7.5/4.5 HP		3

POS	COD.	DESCRIZIONE - DESCRIPTION - KIT	KIT	NR
1	68.0100.22	Carter pompa		1
2	68.1600.22	Coperchio posteriore		1
3	98.2042.50	Tappo G 1/4"x12 DIN 910		1
4	90.3585.00	OR D. 10.82x1.78 NBR SH.70 2043		1
5	90.3948.00	OR D. 209.22x2.62 NBR SH.70		1
6	99.1854.00	Vite M6x16 5931		22
7	68.0200.35	Albero ecc. C.45		1
8	91.4978.00	Linguetta 10x8x55 UNI 6604		1
9	90.0695.00	Anello d'arresto A35 UNI 7435		1
10	68.2105.54	Distanziale cuscinetto		1
11	91.8473.00	Cuscinetto a rulli conici		2
12	90.1672.00	Anello rad. D. 35.0x52.0x7.0	298	1
13	70.1500.22	Coperchio laterale lato PTO		1
14	70.1501.22	Coperchio laterale lato spia		1
15	90.3915.00	OR D. 80.60x2.62 NBR SH.70 3318		2
16	70.2200.81 70.2203.81	Spessore 0.1 mm. Spessore 0.25 mm.		-
17	90.0756.00	Anello d'arresto ZJ45		1
18	70.2118.01	Spia livello olio		1
19	90.3877.00	OR D. 39.34x2.62 NBR SH.70 3156		1
20	98.2115.00	Tappo con asta D. 21.5x70		1
21	96.7099.00	Rosetta D. 10.0x45.0x1.0		3
22	68.0500.22	Guida pistone		3
23	90.1676.00	Anello rad. D. 36.0x47.0x7.0	297	3
24	97.7425.00	Spinotto D. 18x45		3
25	68.0300.01	Biella completa		3

POS	COD.	DESCRIZIONE - DESCRIPTION - KIT	KIT	NR
41	90.2863.00 90.2850.00	An. ten. alt. D. 50x65x7.5/4.5 HP An. ten. alt. D. 45x60x7.5/4.5 HP	302 301	13
42	71.1002.51 71.1003.51 68.1000.51 76.1002.51	Anello di testa D. 36 Anello di testa D. 40 Anello di testa D. 50 Anello di testa D. 45	299 300 302 301	3
43	90.3893.00	OR D. 53.65x2.62	295-296	6
44	68.2104.22	Coperchio valvole		2
45	99.4305.00	Vite M12x40 5931		16
46	71.0404.09 71.0405.09 68.0400.09 68.0401.09	Pistone D. 36x95 Pistone D. 40x95 Pistone D. 45x95 Pistone D. 50x95		3
47	71.2195.66	Vite fissaggio pistone		3
48	90.3671.00	OR D. 11.00x2.00 NBR SH.90		3
49	36.7206.01	Gr. valvola di mandata	295	3
50	36.2009.51	Guida valvola di mandata	295	3
51	94.7450.00	Molla Dm. 16x27.5	295	3
52	36.2010.76	Valvola sferica	295	3
53	36.2048.66	Sede valvola di mandata	295	3
54	90.3865.00	OR D. 29.82x2.62 NBR SH. 70 3118	295	3
55	90.5178.00	Anello antiest. D.31.0x35.5x1.5	295	3
56	36.7205.01	Gr. valvola d'aspirazione	296	3
57	36.2045.51	Guida valvola d'aspirazione	296	3
58	94.7541.00	Molla Dm. 24.7x31	296	3
59	36.2115.76	Valvola sferica	296	3
60	36.2116.66	Sede valvola d'aspirazione	296	3
61	90.3880.00	OR D. 42.52x2.62 NBR SH. 70 3168	296	3
62	90.5233.00	Anello antiest. D. 43.5x48.0x1.5	296	3
63	98.2441.00	Tappo G 1-1/2"x20		1
64	96.8020.00	Rosetta D. 48.0x60.0x1.5		1
65	98.2325.00	Tappo G 1"x17		1
66	96.7870.00	Rosetta D. 33.5x38.0x1.5		1
67	76.2000.74	Piedino pompa		2
68	99.4266.00	Vite M12x25 5739		4
69	96.7195.00	Rosetta D. 13.0x18.0x1.1		4

**REGOLATORI AUTOMATICI DI PRESSIONE - AUTOMATIC PRESSURE REGULATORS
RÉGULATEURS AUTOMATIQUE DE PRESSION - AUTOMATISCHE DRUCKREGLER
AUTOMÁTICO REGULADORES DE PRESIÓN - PRESSÃO REGULADORES AUTOMÁTICOS**



KIT NR.	KIT 168
Posizioni include Positions included	1 - 2 - 3 - 4 5 - 6 - 7 - 8 9 - 10 - 11
Nr. Pcs.	1÷2

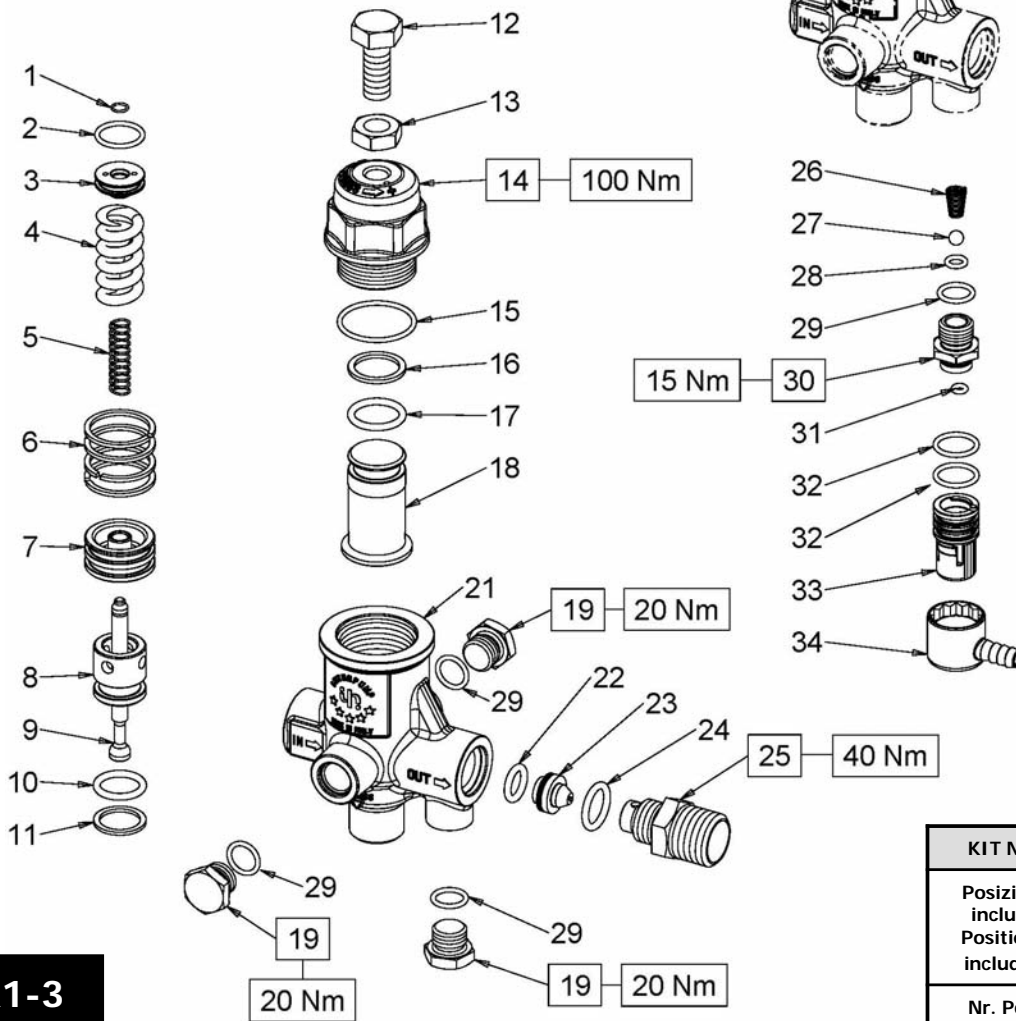
K1

DIS. COD. 36.9523.00

POS	COD.	DESCRIZIONE - DESCRIPTION KIT	NR
1	90.0060.00	Anello seeger D. 6	168 1
2	90.3593.00	OR D. 15.6x1.78 NBR SH. 70 2062	168 1
3	36.3257.70	Piattello molla	168 1
4	94.7425.00	Molla Dm. 14.0x35.0	168 1
5	94.7337.00	Molla Dm. 7.3x32.0	168 1
6	92.7722.00	Fascia elastica D. 27-24.55x27.55	168 4
7	36.3255.70	Pistoncino di comando	168 1
8	36.3256.66	Sede valvola	168 1
9	36.3254.66	Asta valvola	168 1
10	90.3835.00	OR D. 15.08x2.62 NBR SH. 70 119	168 1
11	90.5090.00	Anello antiest. D. 15.8x20.0x1.3	168 1
12	99.3663.00	Vite M10x25 UNI 5740	1
13	92.2368.00	Dado M10x25 UNI 5589	1

POS	COD.	DESCRIZIONE - DESCRIPTION KIT	NR
14	36.3251.41	Corpo superiore	1
15	90.3606.00	OR D. 26.7x1.78 NBR SH. 70 2106	1
16	90.5107.00	Anello antiest. D. 17.4x22.0x1.5	1
17	90.3841.00	OR D. 17.12x2.62 NBR SH. 70 3068	2
18	36.32527.0	Fine corsa	1
19	98.2041.00	Tappo G 1/4"x9	2
20	90.3585.00	OR D. 10.82x1.78 NBR SH. 70 2043	2
21	36.3250.41	Corpo inferiore	1
22	36.3258.66	Ugello	1
23	94.7375.00	Molla Dm. 9.4x17.0	1
24	36.3253.70 36.3269.70	Nipplo G 1/2" Nipplo G 3/8" - OPTIONAL	1

DIS. COD. 36.9567.00



K1-2 K1-3

KIT NR.	KIT 168
Posizioni include Positions included	1 - 2 - 3 - 4 5 - 6 - 7 - 8 9 - 10 - 11
Nr. Pcs.	1÷4

POS	COD.	DESCRIZIONE - DESCRIPTION KIT	NR
1	90.0060.00	Anello d'arresto A6	168 1
2	90.3593.00	OR D. 15.60x1.78 NBR SH. 70 2062	168 1
3	36.3257.70	Piattello molla	168 1
4	94.7425.00	Molla Dm. 14.0x35.0	168 1
5	94.7337.00	Molla Dm. 7.3x32.0	168 1
6	92.7722.00	Fascia elastica D. 27-24.55x27.55	168 4
7	36.3255.70	Pistoncino di comando	168 1
8	36.3256.66	Sede valvola	168 1
9	36.3254.66	Asta valvola	168 1
10	90.3835.00	OR D. 15.08x2.62 NBR SH. 70 119	168 1
11	90.5090.00	Anello antiest. D. 15.8x20.0x1.3	168 1
12	99.3663.00	Vite M10x25 UNI 5740 8.8	1
13	92.2368.00	Dado M10x25 UNI 5589	1
14	36.3251.70	Corpo superiore	1
15	90.3606.00	OR D. 26.7x1.78 NBR SH. 70 2106	1
16	90.5107.00	Anello antiest. D. 17.4x22.0x1.5	1
17	90.3841.00	OR D. 17.13x2.62 NBR SH. 70 3068	1

POS	COD.	DESCRIZIONE - DESCRIPTION KIT	NR
18	36.3252.70	Fine corsa	1
19	98.2041.00	Tappo G 1/4"x9	3
21	36.3495.41	Corpo inferiore	1
22	90.3822.00	OR D. 9.92x2.62 NBR SH. 70 112	1
23	10.0307.66 10.0076.66	Ugello D. 1.80 iniettore Ugello D. 2.20 iniettore	1
24	90.3832.00	OR D. 13.95x2.62 NBR SH. 70 3056	1
25	36.3494.70 10.0078.70 10.0147.70	Nipplo G 1/2" per ugello iniettore Nipplo D. 3 - G 3/8" Nipplo M22x1.5 ugello iniettore	1
26	94.8217.00	Molla conica D. 4.3/7.3x11.0	1
27	97.4782.00	Sfera D. 7/32"	1
28	90.3573.00	OR D. 5.28x1.78 NBR SH. 70 2021	1
29	90.3585.00	OR D. 10.82x1.78 NBR SH. 70 2043	4
30	36.0236.70	Sede detergente	1
31	90.3566.00	OR D. 2.90x1.78 NBR SH. 70 2012	1
32	90.3591.00	OR D. 14.0X1.78 NBR SH. 70 2056	2
33	36.0234.51	Pomolo regolazione detergente	1
34	36.0235.51	Porta-gomma orientabile	1

*** TABELLA B - TABLE B - K3

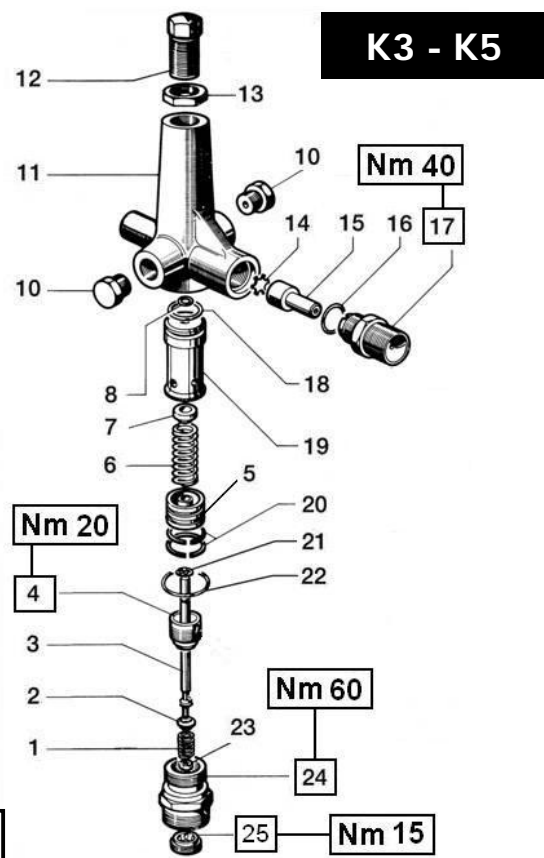
MOD	POS	COD.	DESCRIZIONE - DESCRIPTION	NR
K3.0	15	36.3019.70	Ugello D. 2.00	1
	17	36.3020.70	Nipplo G 1/2" con foro D. 3.00	
K3.1	15	36.3011.70	Ugello D. 2.50	1
	17	36.3020.70	Nipplo G 1/2" con foro D. 3.00	
K3.2	15	36.3012.70	Ugello D. 2.75	1
	17	36.3021.70	Nipplo G 1/2" con foro D. 3.25	

*** TABELLA A - TABLE A - K5

MOD	POS	COD.	DESCRIZIONE - DESCRIPTION	NR
K5.0	15	36.3019.70	Ugello D. 2.00	1
	17	36.3020.70	Nipplo G 1/2" con foro D. 3.00	
K5.1	15	36.3011.70	Ugello D. 2.50	1
	17	36.3020.70	Nipplo G 1/2" con foro D. 3.00	
K5.2	15	36.3012.70	Ugello D. 2.75	1
	17	36.3021.70	Nipplo G 1/2" con foro D. 3.25	
K5.3	15	36.3013.70	Ugello D. 3.00	1
	17	36.3022.70	Nipplo G 1/2" con foro D. 3.50	

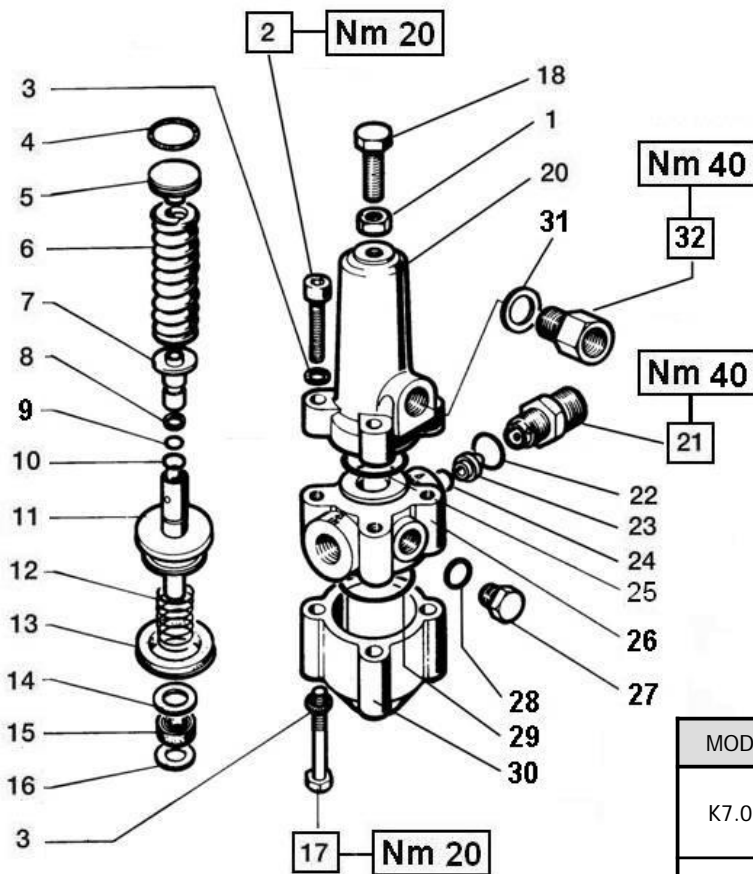
KIT NR.	KIT 59 (K3) KIT 58 (K5)	KIT 61 (K3) KIT 60 (K5)
Posizioni include Positions included	1 - 2 - 4 - 5 6 - 8 - 16 - 18 20 - 21 - 22 23 - 25	1 - 2 - 3 - 4 5 - 6 - 7 - 20 21 - 22 - 23 24 - 25
Nr. Pcs.	1	1

DIS. COD. 36.9506.00



POS	COD.	DESCRIZIONE - DESCRIPTION KIT	NR
1	94.7374.00	Molla Dm. 9.3x15.5 59-61	1
2	36.3008.66	Valvola conica 59-61	1
3	36.3004.66	Asta valvola - K3 61	1
4	36.3034.66	Inserto per sede valvola 59-61	1
5	36.3006.70	Pistoncino di comando - K3 59-61	1
6	94.7402.00	Molla Dm. 12.0x36.0 - K3 59-61	1
7	36.3005.70	Piattello molla - K3 61	1
8	90.3572.00	OR D. 5.28x1.78 NBR SH. 70 2021 59	1
10	98.2041.00	Tappo G 1/4"x9	2
11	36.3000.41	Corpo valvola - K3	1
12	36.3001.64	Vite di regolazione pressione	1
13	92.2560.00	Dado M16x20x4	1
14	36.3009.76	Valvola piana	1
15	***	Vedi tabella B - See table B	-
16	90.3833.00	OR D. 13.95x2.62 NBR SH. 70 3056 59	1
17	***	Vedi tabella B - See table B	-
18	90.3835.00	OR D. 15.08x2.62 NBR SH. 70 119 59	1
19	36.3003.70	Guida asta - K3	1
20	92.7707.00	Fascia elastica D. 22 - K3 59-61	4
21	90.0509.00	Anello d'arresto E04 UNI 7434 59-61	1
22	90.3598.00	OR D. 20.35x1.78 NBR SH. 70 2081 59-61	1
23	92.1925.00	Dado M4x3.2x7 59-61	1
24	36.3049.70	Sede valvola - K3 61	1
25	36.3035.70	Ghiera 59-61	1

POS	COD.	DESCRIZIONE - DESCRIPTION KIT	NR
1	94.7374.00	Molla Dm. 9.3x15.5 58-60	1
2	36.3008.66	Valvola conica 58-60	1
3	36.3030.66	Asta valvola - K5 60	1
4	36.3034.66	Inserto per sede valvola 58-60	1
5	36.3032.70	Pistoncino di comando - K5 58-60	1
6	94.7430.00	Molla Dm. 14.5x45.0 - K5 58-60	1
7	36.3031.70	Piattello molla - K5 60	1
8	90.3572.00	OR D. 5.28x1.78 NBR SH. 70 2021 58	1
10	98.2041.00	Tappo G 1/4"x9	2
11	36.3028.41	Corpo valvola - K5	1
12	36.3001.64	Vite di regolazione pressione	1
13	92.2560.00	Dado M16x20x4	1
14	36.3009.76	Valvola piana	1
15	***	Vedi tabella B - See table A	-
16	90.3833.00	OR D. 13.95x2.62 NBR SH. 70 3056 58	1
17	***	Vedi tabella B - See table A	-
18	90.3845.00	OR D. 18.72x2.62 NBR SH. 70 3075 58	1
19	36.3029.70	Guida asta - K5	1
20	92.7722.00	Fascia elastica D. 27 - K5 58-60	4
21	90.0509.00	Anello d'arresto E04 UNI 7434 58-60	1
22	90.3859.00	OR D. 25.07x2.62 NBR SH. 70 3100 58-60	1
23	92.1925.00	Dado M4x3.2x7 58-60	1
24	36.3050.70	Sede valvola - K5 60	1
25	36.3035.70	Ghiera 58-60	1



KIT NR.	KIT 70
Posizioni include Positions included	4 - 7 - 8 - 9 - 10 11 - 12 - 13 - 15 16 - 22 - 24 - 25 28 - 29
Nr. Pcs.	1÷2

*** TABELLA A - TABLE A

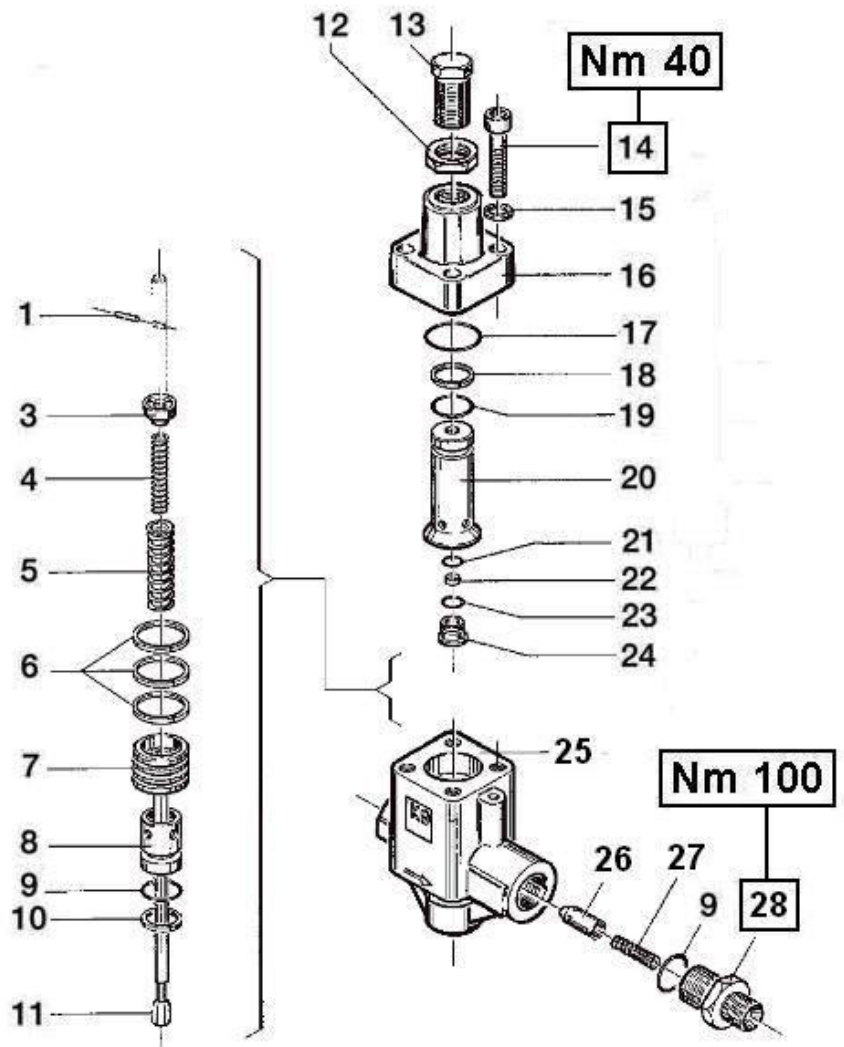
MOD	POS	COD.	DESCRIZIONE - DESCRIPTION	NR
K7.0	21	10.0078.70	Nipplo G 3/8" con foro D. 3.00	1
	23	10.0076.66	Ugello D. 2.20	
	32	36.3117.70	Nipplo G 3/8"	
K7.1	21	10.0078.70	Nipplo G 3/8" con foro D. 3.00	1
	23	10.0076.66	Ugello D. 2.50	
	32	36.3116.70	Nipplo G 3/8"	
K7.2	21	10.0160.70	Nipplo G 3/8" con foro D. 3.25	1
	23	10.0162.66	Ugello D. 2.75	
	32	36.3118.70	Nipplo G 3/8"	
K7.3	21	10.0161.70	Nipplo G 3/8" con foro D. 3.50	1
	23	10.0163.66	Ugello D. 3.00	
	32	36.3119.70	Nipplo G 3/8"	

POS	COD.	DESCRIZIONE - DESCRIPTION KIT	NR
1	92.2368.00	Dado M10x17x6 UNI 5589	1
2	99.3084.00	Vite M8x30 UNI 5931	4
3	96.7014.00	Rosetta D. 8.4x13.0x0.8	8
4	90.3849.00	OR D. 20.63x2.62 NBR SH. 70 128 70	1
5	36.3095.70	Piattello molla	1
6	94.7466.00	Molla Dm. 17.0x60.0	1
7	36.3094.66	Sede valvola 70	1
8	90.5052.00	Anello antiest. D. 9.6x14.0x1.5 70	1
9	90.3820.00	OR D. 9.13x2.62 NBR SH. 70 109 70	1
10	90.3582.00	OR D. 9.25x1.78 NBR SH. 70 2037 70	1
11	36.3097.02	Assieme pistoncino e sfera 70	1
12	94.7464.00	Molla Dm. 17.0x17.0 70	1
13	90.2766.00	Anello ten. alt. D. 30x40x7 70	1
14	96.7215.00	Rosetta D. 13.0x20.0x2.0	1
15	90.2565.00	Anello ten. alt. D. 10x18x5.5 70	1
16	90.5063.00	Anello antiest. D. 10.0x18.0x1.5 70	1

POS	COD.	DESCRIZIONE - DESCRIPTION KIT	NR
17	99.3127.00	Vite M8x45 UNI 5737	4
18	99.3663.00	Vite M10x25 UNI 5740	1
20	36.3090.41	Corpo valvola superiore	1
21	***	Vedi tabella A - See table A	-
22	90.3833.00	OR D. 13.95x2.62 NBR SH. 70 3056 70	1
23	***	Vedi tabella A - See table A	-
24	90.3823.00	OR D. 9.92x2.62 NBR SH. 70 112 70	1
25	90.3863.00	OR D. 28.25x2.62 NBR SH. 70 3112 70	1
26	36.3091.41	Corpo valvola centrale	1
27	98.2041.00	Tappo G 1/4"x9	2
28	90.3585.00	OR D. 10.82x1.78 NBR SH. 70 2043 70	2
29	90.3871.00	OR D. 34.6x2.62 NBR SH. 70 3137 70	1
30	36.3092.41	Corpo valvola inferiore	1
31	96.7380.00	Rosetta D. 17.5x23.0x1.5	1
32	***	Vedi tabella A - See table A	-

DIS. COD. 36.9521.00

K9



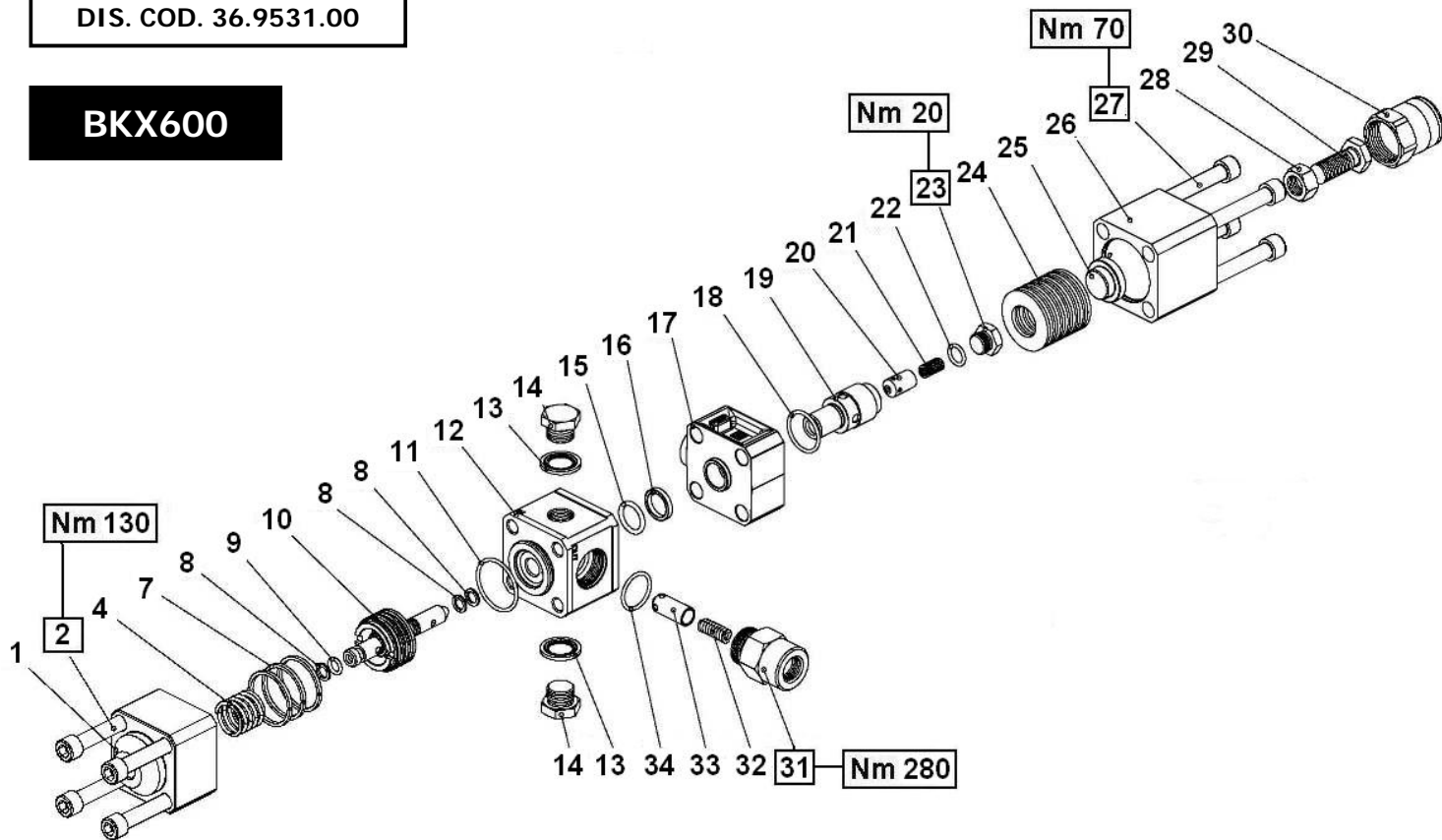
KIT NR.	KIT 121
Posizioni include Positions included	1 - 3 - 4 - 5 6 - 7 - 8 - 9 10 - 11
Nr. Pcs.	1÷2

POS	COD.	DESCRIZIONE - DESCRIPTION KIT	NR
1	97.6132.00	Spina D. 3.0x14.5	121 1
3	36.3211.70	Piattello molla	121 1
4	94.7385.00	Molla Dm. 10.0x57.0	121 1
5	94.7456.00	Molla Dm. 16.5x56.0	121 1
6	92.7746.00	Fascia elastica D. 35	121 3
7	36.3206.70	Pistoncino di comando	121 1
8	36.3204.66	Sede valvola	121 1
9	90.3847.00	OR D. 20.24x2.62 NBR SH. 70 3081	121 2
10	90.5135.00	Anello antiest. D. 21.0x25.0x2.0	121 1
11	36.3202.01	Assieme asta e valvola	121 1
12	92.2656.00	Dado M22x1.5	1
13	36.3210.70	Vite di regolazione	1
14	99.3720.00	Vite M10x45 UNI 5931	4
15	96.7104.00	Rosetta D. 10.5x16.0x1.0	4
16	36.3201.41	Corpo superiore	1
17	90.3867.00	OR D. 31.42x2.62 NBR SH. 70 3125	1
18	90.5149.00	Anello antiest. D. 23.0x27.0x2.0	1
19	90.3852.00	OR D. 22.22x2.62 NBR SH. 70 130	1
20	36.3209.70	Guida asta	1

POS	COD.	DESCRIZIONE - DESCRIPTION KIT	NR
21	90.3823.00	OR D. 9.92x2.62 NBR SH. 70 112	1
22	90.2540.00	Anello ten. alt. D. 8	1
23	90.3585.00	OR D. 10.82x1.78 NBR SH. 70 2043	1
24	36.3203.70	Boccola	1
25	36.3200.01	Corpo inferiore	1
26	36.3207.66	Ugello	1
27	94.7339.00	Molla Dm. 7.2x24.0	1
28	36.3208.70	Nipplo G 1/2"	1

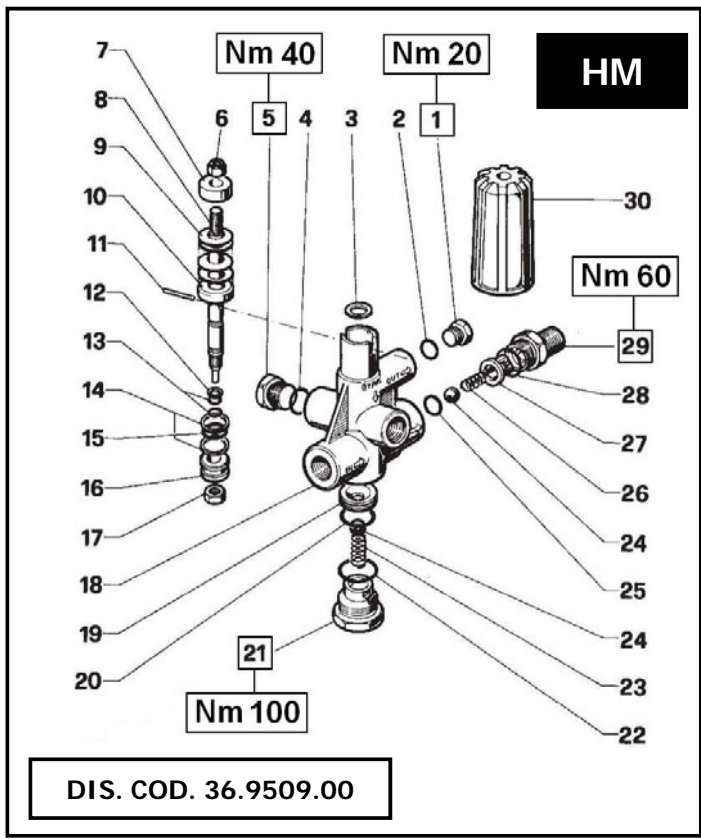
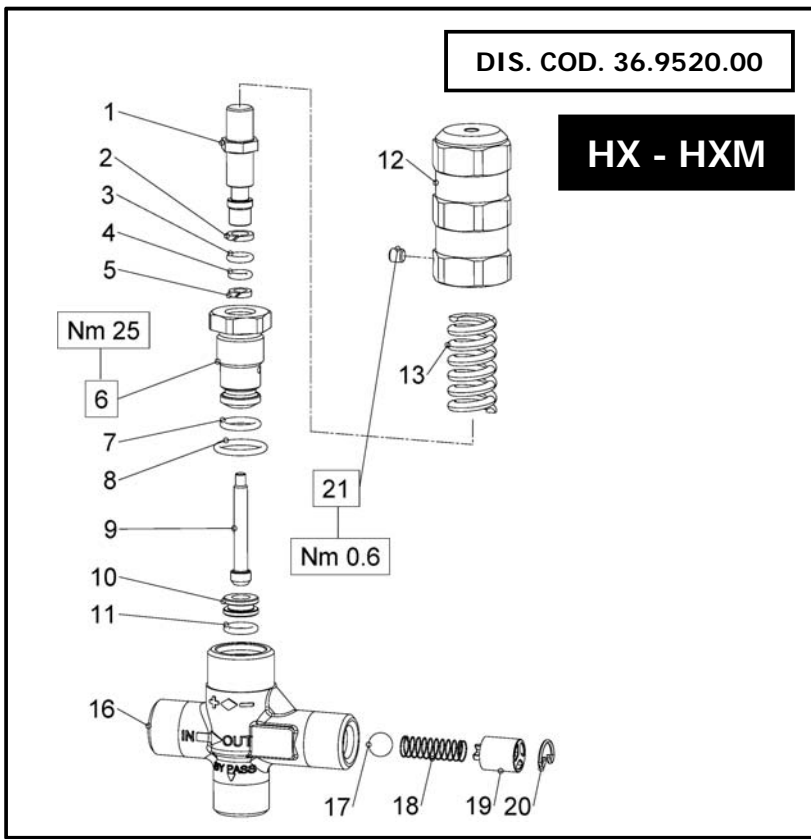
DIS. COD. 36.9531.00

BKX600



POS	COD.	DESCRIZIONE – DESCRIPTION KIT	NR
1	36.3120.66	Corpo valvola inferiore	1
2	99.4387.00	Vite M12x70 UNI 5931	4
4	94.7572.00	Molla Dm. 26.2x28.5	1
7	92.7776.00	Fascia elastica D. 45	3
8	90.5052.00	Anello antiest. D. 9.6x14.0x1.5	3
9	90.3819.00	OR D. 9.13x2.62 NBR SH. 70 109	1
10	36.7111.01	Assieme asta e pistoncino	1
11	90.3877.00	OR D. 39.34x2.62 NBR SH. 70 3156	1
12	36.3121.66	Corpo valvola	1
13	93.1972.00	Rondella con tenuta G 1/2"	2
14	98.2181.00	Tappo G 1/2"x13	2
15	90.4041.00	OR D. 20.22x3.53 NBR SH. 70 4081	1
16	90.5132.00	Anello antiest. D. 20.0x26.0x4.0	1
17	36.3122.41	Corpo valvola intermedio	1
18	90.3865.00	OR D. 29.82x2.62 NBR SH. 70 3118	1

POS	COD.	DESCRIZIONE – DESCRIPTION KIT	NR
19	36.3358.66	Sede valvola	1
20	36.3359.66	Valvola	1
21	94.7358.00	Molla Dm. 8.5x22.0	1
22	90.3830.00	OR D. 13.1x2.62 NBR SH. 70 117	1
23	98.2101.00	Tappo G 3/8"x9.5	1
24	94.8585.00	Molla a tazza D. 50.0x25.4x3.0	12
25	36.3127.66	Piattello molla	1
26	36.3123.66	Corpo valvola superiore	1
27	99.4450.00	Vite M12x120 UNI 5931	4
28	92.2565.00	Dado M16x1.5 UNI 5588	1
29	99.5136.00	Vite M16x1.5x41	1
30	36.3132.70	Tappo	1
31	95.2730.00	Nipplo M30x1.5xG 1/2"	1
32	94.7365.00	Molla Dm. 8.8x31.0	1
33	36.3125.66	Ugello	1
34	90.3861.00	OR D. 26.65x2.62 NBR SH. 70 3106	1



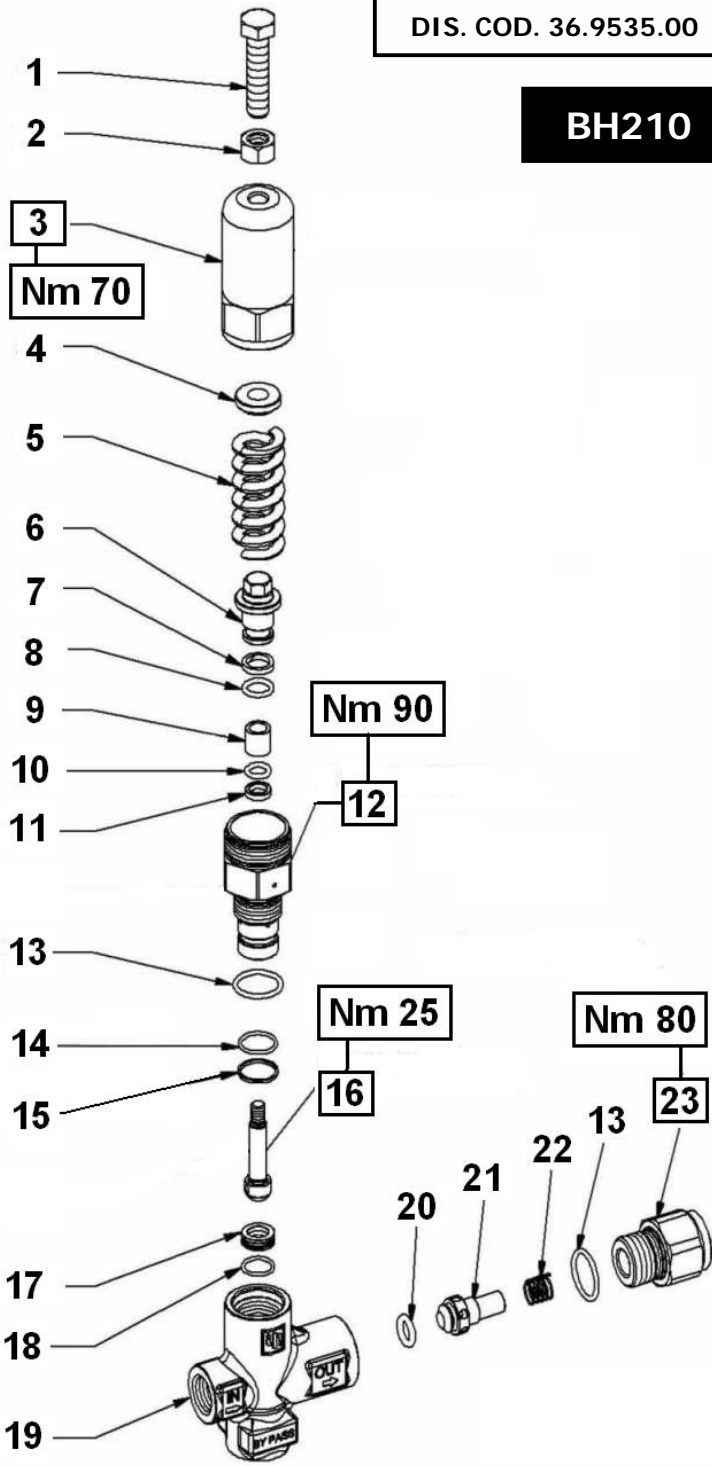
POS	COD.	DESCRIZIONE - DESCRIPTION KIT	NR
1	36.3237.70	Pistoncino di comando	143 1
2	90.5020.00	Anello antiest. D. 5.2x8.0x1.5	143 1
3	90.3570.00	OR D. 4.48x1.78 NBR SH. 70 2018	143 1
4	90.3568.00	OR D. 3.69x1.78 NBR SH. 70 2015	143 1
5	90.5007.00	Anello antiest. D. 4.0x6.8x1.5	143 1
6	36.3238.70	Boccola di guida	143 1
7	90.3581.00	OR D. 8.73x1.78 NBR SH. 70 108	143 1
8	90.3589.00	OR D. 12.42x1.78 NBR SH. 70 2050	143 1
9	36.3239.66	Valvola sferica	143 1
10	10.0085.66	Sede valvola	143 1
11	90.3576.00	OR D. 6.75x1.78 MNR SH. 70 106	143 1
12	36.3241.70	Pomolo	1
13	94.7400.00	Molla Dm. 11.8x28.5	1
16	36.3236.41	Corpo valvola	1
17	97.4800.00	Sfera D. 9/32" - HX	1
18	94.7332.00	Molla Dm. 6.1x19.0 - HX	1
19	36.3240.51	Guida molla - HX	1
20	90.0067.00	Anello d'arresto A10 - HX	1

POS	COD.	DESCRIZIONE - DESCRIPTION KIT	NR
1	98.2041.00	Tappo G 1/4"x9	1
2	90.3585.00	OR D. 10.82x1.78 NBR SH. 70 2043	72 1
3	96.7102.00	Rosetta D. 10.5x15.0x2.5	1
4	90.3833.00	OR D. 13.95x2.62 NBR SH. 70 3056	72 1
5	98.2100.00	Tappo G 3/8"x13	1
6	92.2208.00	Dado M8x13x10.6 UNI 7473	1
7	36.3113.64	Guida molla	1
8	36.3107.66	Guida pistone	1
9	94.8495.00	Molla a tazza D. 22.0x10.2x1.25	72 20
10	36.3109.76	Piattello molla	1
11	97.6143.00	Spina D. 4.0x20 UNI 1707	1
12	90.5025.00	Anello antiest. D. 7.0x10.0x1.5	72 1
13	90.3575.00	OR D. 6.75x1.78 NBR SH. 70 106	72 2
14	90.5080.00	Anello antiest. D. 13.5x18.0x2.0	72 2
15	90.3831.00	OR D. 13.1x2.62 NBR SH. 70 117	72 1
16	36.3112.66	Pistoncino di comando	1
17	92.2220.00	Dado M8x13x5 UNI 5589	1
18	36.3101.01	Corpo valvola	1
19	36.3102.66	Sede valvola	72 1
20	90.3594.00	OR D. 17.17x1.78 NBR SH. 70 2068	72 1
21	36.3103.70	Tappo	1
22	90.3847.00	OR D. 20.24x2.62 NBR SH. 70 3081	72 1
23	94.7374.00	Molla Dm. 9.3x15.5	72 1
24	97.4838.00	Sfera D. 13/32"	72 2
25	90.3822.00	OR D. 9.92x2.62 NBR SH. 70 112	72 1
26	94.7355.00	Molla Dm. 8.5x12.0	72 1
27	36.3104.51	Guida valvola	72 1
28	90.3843.00	OR D. 17.86x2.62 NBR SH. 70 123	72 1
29	36.3105.70	Nipplo G 3/8"	1
30	36.3110.02	Pomolo	1

KIT NR.	KIT 143 (HX - HXM)	KIT 72 (HM)
Posizioni include Positions included	1 - 2 - 3 4 - 5 - 6 7 - 8 - 9 10 - 11	2 - 4 - 9 - 12 13 - 14 - 15 19 - 20 - 22 23 - 24 - 25 26 - 27 - 28
Nr. Pcs.	1	1÷2

DIS. COD. 36.9535.00

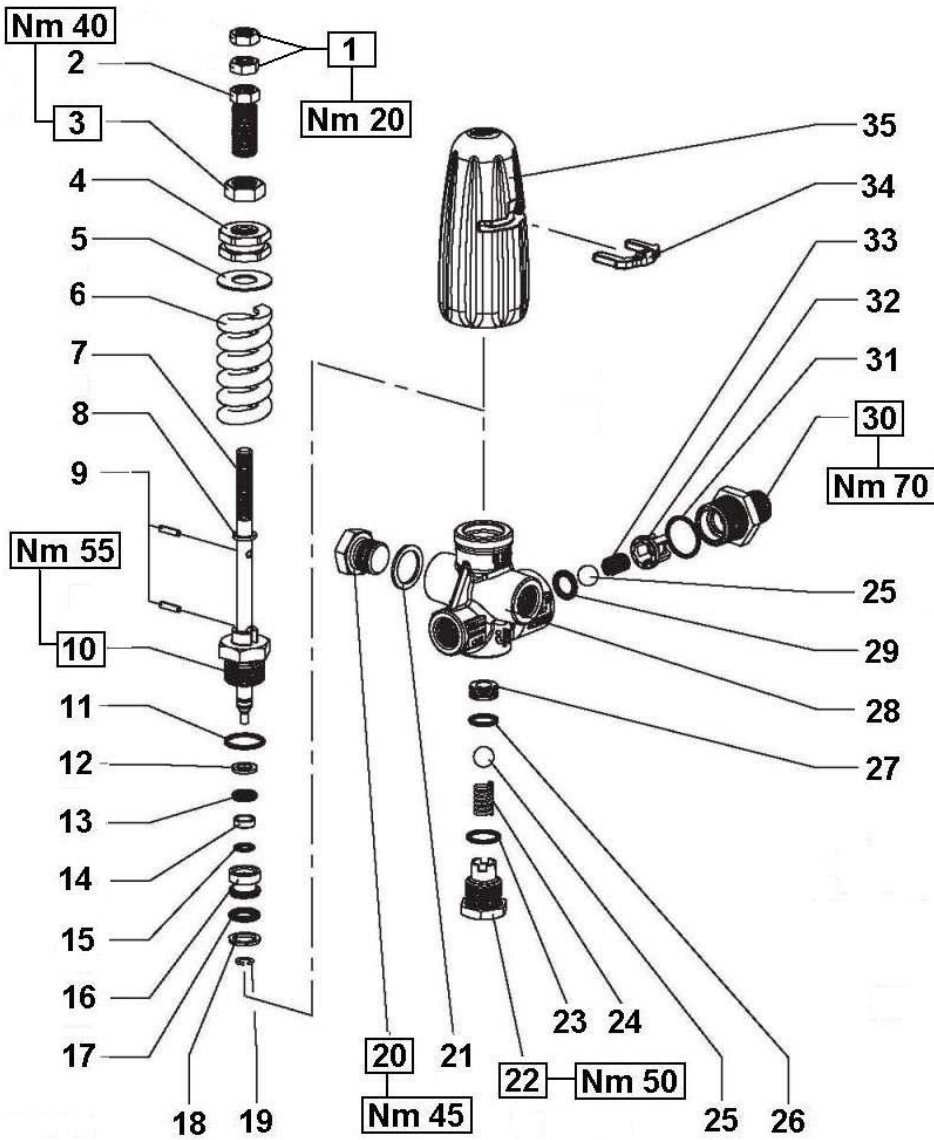
BH210



POS	COD.	DESCRIZIONE - DESCRIPTION KIT	NR
1	99.3732.00	Vite M12x50 UNI 5739	1
2	92.2405.00	Dado M12x19x7 UNI 5589	1
3	36.3375.71	Corpo superiore	1
4	36.3376.64	Piattello molla	1
5	94.7535.00	Molla Dm. 24.0x66.0	1
6	36.3378.66	Pistone	246 1
7	90.5079.00	Anello antiest. D. 13.6x18.0x2.5/3.0	246 1
8	90.3830.00	OR D. 13.10x2.62 NBR SH. 70 117	246 1
9	36.3384.82	Distanziale D. 10.0x14.5x13.5	246 1
10	90.3823.00	OR D. 9.92x2.62 NBR SH. 70 112	246 1
11	90.5060.00	Anello antiest. D. 10.0x14.7x2.5/3.0	246 1
12	36.3377.70	Boccola di guida	1
13	90.3855.00	OR D. 23.47x2.62 NBR SH. 70 3093	246 2
14	90.3596.00	OR D. 18.77x1.78 NBR SH. 70 2075	246 1
15	90.5131.00	Anello antiest. D. 20.4x23.0x1.5	246 1
16	36.3380.56	Asta valvola	246 1
17	36.3381.66	Sede D. 12	246 1
18	90.3593.00	OR D. 15.60x1.78 NBR SH. 70 2062	246 1
19	36.3379.41	Corpo valvola	1
20	90.4031.00	OR D. 10.69x3.53 NBR SH. 70 4042	246 1
21	36.3382.70	Otturatore	1
22	94.7409.00	Molla Dm. 12.7x15.0	1
23	36.3383.70	Niplo otturatore G 1/2"	1

KIT NR.	KIT 246
Posizioni include Positions included	6 - 7 - 8 - 9 10 - 11 - 13 - 14 15 - 16 - 17 - 18 20
Nr. Pcs.	1÷2

DIS. COD. 36.9524.00

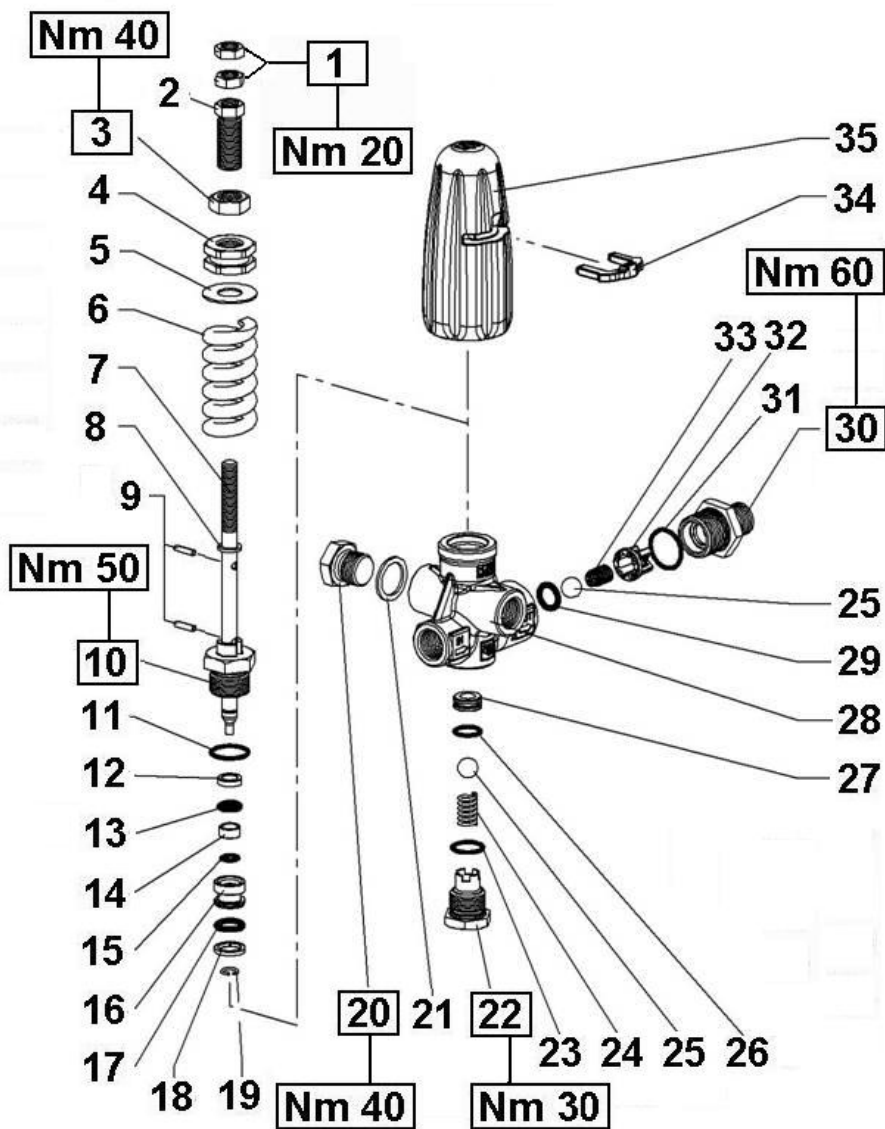
H253

KIT NR.	KIT 178
Posizioni incluse	6 - 11 - 12 - 13
Positions included	15 - 17 - 18 - 19
	23 - 24 - 25 - 26
	27 - 29 - 31 - 32
	33
Nr. Pcs.	1÷2

POS	COD.	DESCRIZIONE - DESCRIPTION KIT	NR
1	92.2200.00	Dado M8x5x13 UNI 5589	2
2	36.3262.64	Vite di taratura pressione massima	1
3	92.2400.00	Dado M12x7x19 UNI 5589	1
4	36.3261.64	Ghiera regolazione pressione	1
5	96.7780.00	Rosetta D. 28.0x12.5x1.0	1
6	94.7509.00	Molla Dm. 21.0x60.0	178 1
7	36.3263.73	Asta valvola	1
8	96.7037.00	Rosetta D. 8.5x12.0x1.5	1
9	97.6658.00	Spina D. 3.0x12.0 UNI 6876	2
10	36.3266.70	Boccola guida asta	1
11	90.3595.00	OR D. 17.17x1.78 NBR SH. 70 2068	178 1
12	90.5035.00	Anello antiest. D. 8.0x12.7x1.5	178 1
13	90.3818.00	OR D. 7.59x2.62 NBR SH. 70 3030	178 1
14	36.3300.70	Distanziale	1
15	90.3576.00	OR D. 6.75x1.78 NBR SH. 70 106	178 1
16	36.3264.66	Pistoncino di comando	1
17	90.3825.00	OR D. 10.78x2.62 NBR SH. 70 3043	178 1
18	90.5070.00	Anello antiest. D. 11.6x16.0x1.5/2.0	178 1

POS	COD.	DESCRIZIONE - DESCRIPTION KIT	NR
19	90.0063.00	Anello d'arresto 08	178 1
20	98.2100.00	Tappo G 3/8"x13	1
21	96.7380.00	Rosetta D. 17.5x23.0x1.5	1
22	36.3268.70	Tappo M18x1.5	1
23	90.3592.00	OR D. 14.0x1.78 NBR SH. 70 2056	178 1
24	94.7360.00	Molla Dm. 8.6x16.5	178 1
25	97.4838.00	Sfera D. 13/32"	178 2
26	90.3585.00	OR D. 10.82x1.78 NBR SH. 70 2043	178 1
27	36.3265.66	Sede valvola	178 1
28	36.3259.41	Corpo valvola	1
29	90.3823.00	OR D. 9.92x2.62 NBR SH. 70 112	178 1
30	36.3267.70	Nipplo G 3/8"	1
31	90.3597.00	OR D. 18.77x1.78 NBR SH. 70 2075	178 1
32	36.3104.51	Guida valvola	178 1
33	94.7355.00	Molla Dm. 8.5x12.0	178 1
34	36.3297.51	Forcella	1
35	36.3260.51	Pomolo	1

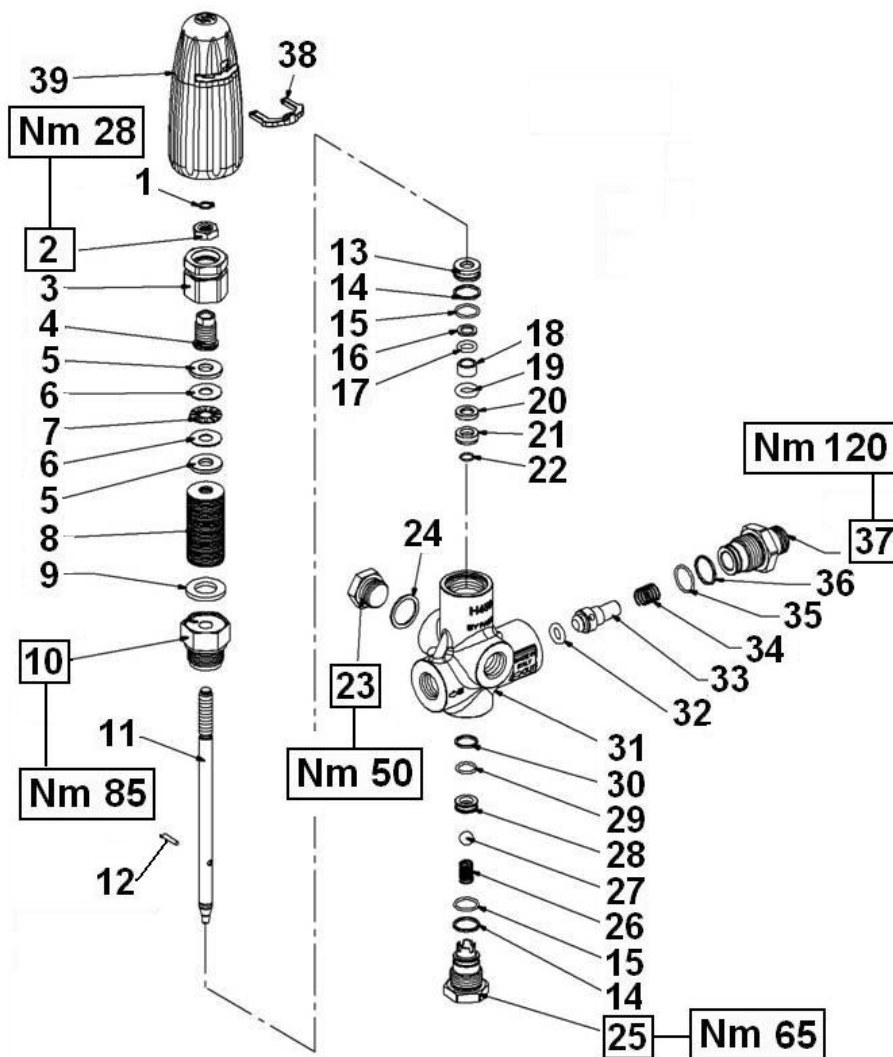
DIS. COD. 36.9532.00

H284

KIT NR.	KIT 245
Posizioni includi Positions included	6 - 11 - 12 - 13 15 - 17 - 18 - 19 23 - 24 - 25 - 26 27 - 29 - 31 - 32 33
Nr. Pcs.	1÷2

POS	COD.	DESCRIZIONE - DESCRIPTION KIT	NR
1	92.2200.00	Dado M8x5x13 UNI 5589	2
2	36.3262.64	Vite di taratura pressione massima	1
3	92.2400.00	Dado M12x7x19 UNI 5589	1
4	36.3261.64	Ghiera regolazione pressione	1
5	96.7780.00	Rosetta D. 28.0x12.5x1.0	1
6	94.7509.00	Molla Dm. 21.0x60.0	245 1
7	36.3263.73	Asta valvola	1
8	96.7037.00	Rosetta D. 8.5x12.0x1.5	1
9	97.6658.00	Spina D. 3.0x12.0 UNI 6876	2
10	36.3356.70	Boccola guida asta	1
11	90.3595.00	OR D. 17.17x1.78 NBR SH. 70 2068	245 1
12	90.5036.00	Anello antiest. D. 8.0x12.4x2.5/3.0	245 1
13	90.3818.00	OR D. 7.59x2.62 NBR SH. 70 3030	245 1
14	36.3357.70	Distanziale	1
15	90.3576.00	OR D. 6.75x1.78 NBR SH. 70 106	245 1
16	36.3264.66	Pistoncino di comando	1
17	90.3825.00	OR D. 10.78x2.62 NBR SH. 70 3043	245 1
18	90.5070.00	Anello antiest. D. 11.6x16.0x1.5/2.0	245 1

POS	COD.	DESCRIZIONE - DESCRIPTION KIT	NR
19	90.0063.00	Anello d'arresto Ø8	245 1
20	98.2100.00	Tappo G 3/8"x13	1
21	96.7380.00	Rosetta D. 17.5x23.0x1.5	1
22	36.3268.70	Tappo M18x1.5	1
23	90.3592.00	OR D. 14.0x1.78 NBR SH. 70 2056	245 1
24	94.7360.00	Molla Dm. 8.6x16.5	245 1
25	97.4838.00	Sfera D. 13/32"	245 2
26	90.3585.00	OR D. 10.82x1.78 NBR SH. 70 2043	245 1
27	36.3265.66	Sede valvola	245 1
28	36.3259.41	Corpo valvola	1
29	90.3823.00	OR D. 9.92x2.62 NBR SH. 70 112	245 1
30	36.3267.70	Nipplo G 3/8"	1
31	90.3597.00	OR D. 18.77x1.78 NBR SH. 70 2075	245 1
32	36.3104.51	Guida valvola	245 1
33	94.7355.00	Molla Dm. 8.5x12.0	245 1
34	36.3297.51	Forcella	1
35	36.3260.51	Pomolo	1

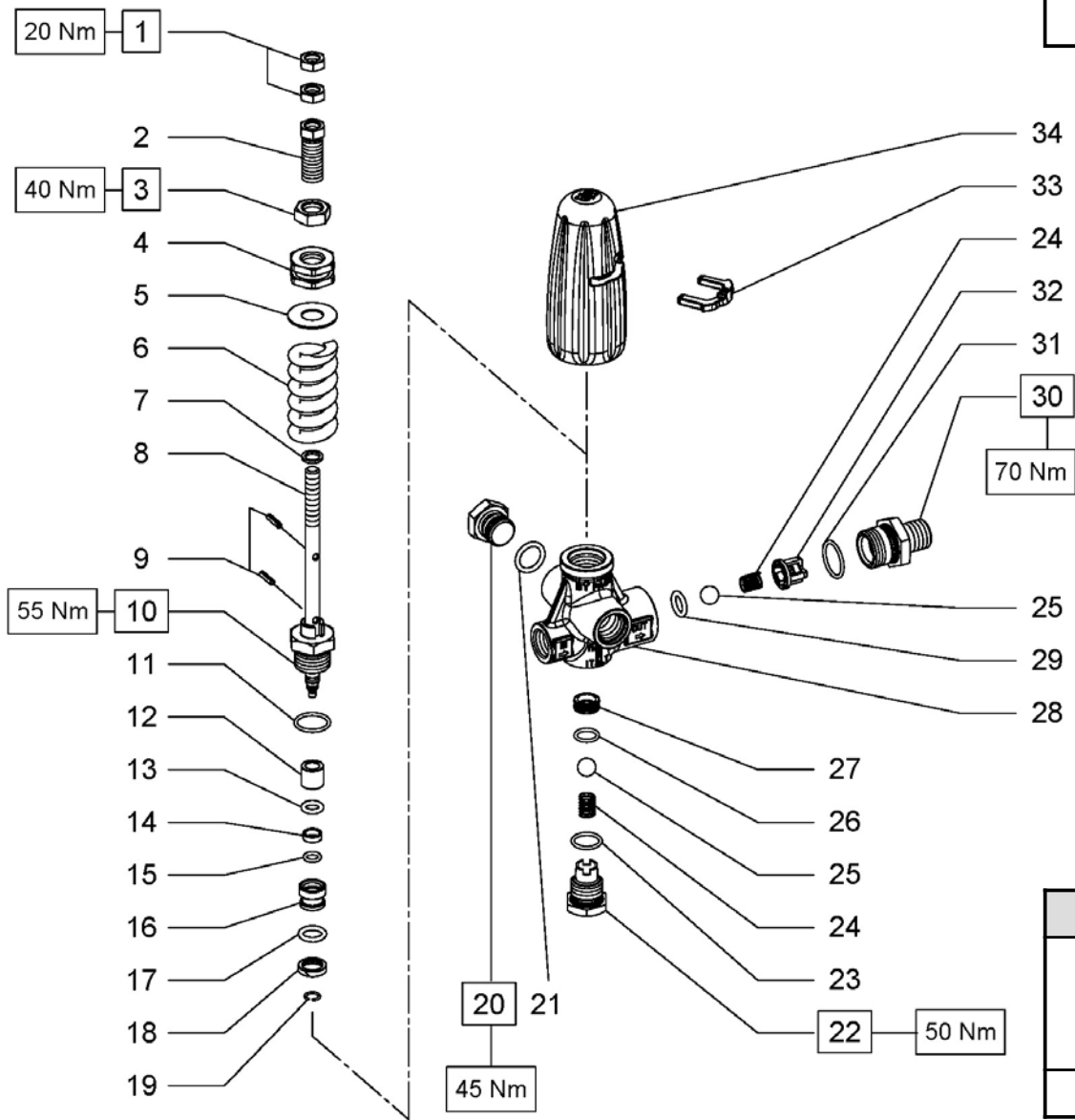


KIT NR.	KIT 185
Posizioni include	8 - 14 - 15 - 16
Positions included	17 - 19 - 20 - 22
	26 - 27 - 28 - 29
	30 - 32 - 35 - 36
Nr. Pcs.	1÷2

POS	COD.	DESCRIZIONE - DESCRIPTION KIT	NR
1	90.0531.00	Anello d'arresto A08 UNI 7435	1
2	92.2368.00	Dado M10x8 UNI 5589	1
3	36.3307.64	Ghiera di regolazione pressione	1
4	36.3306.64	Vite di taratura pressione massima	1
5	36.3310.64	Piattello	2
6	91.7909.00	Ralla 10x24x1	2
7	91.7908.00	Cuscinetto a rulli	1
8	94.8525.00	Molla a tazza D. 28.0x10.2x1.25	185 39
9	96.7370.00	Rosetta D. 17.0x30.0x3.0	1
10	36.3305.70	Boccola di guida	1
11	36.3304.66	Asta valvola	1
12	97.6133.00	Spina D. 3.0x17.5	1
13	36.3308.70	Bussola di guida	1
14	90.5100.00	Anello antiest. D. 17.3x20.0x1.5	185 2
15	90.3593.00	OR D. 15.6x1.78 NBR SH. 70 2062	185 2
16	90.5062.00	Anello antiest. D. 10.0x14.7x1.5	185 1
17	90.3823.00	OR D. 9.92x2.62 NBR SH. 70 112	185 1
18	36.3315.82	Distanziale	1
19	90.4175.00	OR D. 10.00x4.00 NBR SH. 70	185 1
20	90.5059.00	Anello antiest. D. 10.0x17.0x2.0	185 1

POS	COD.	DESCRIZIONE - DESCRIPTION KIT	NR
21	36.3309.66	Bussola di bloccaggio	1
22	90.0064.00	Anello d'arresto D. 10	185 1
23	98.2176.00	Tappo G 1/2"x10	1
24	96.7514.00	Rosetta D. 21.5x27.0x1.5	1
25	36.3313.70	Tappo M24x1.5	1
26	94.7374.00	Molla Dm. 9.3x15.5	185 1
27	97.4838.00	Sfera D. 13/32"	185 1
28	36.3311.66	Sede valvola	185 1
29	90.3589.00	OR D. 12.42x1.78 NBR SH. 70 2050	185 1
30	90.5081.00	Anello antiest. D. 14.4x17.0x1.5	185 1
31	36.3368.41	Corpo valvola	1
32	90.4028.00	OR D. 9.12x3.53 NBR SH. 70 4036	185 1
33	36.3288.70	Otturatore	1
34	94.7409.00	Molla Dm. 12.7x15.0	1
35	90.3596.00	OR D. 18.77x1.78 NBR SH. 70 2075	185 1
36	90.5131.00	Anello antiest. D. 20.4x23.0x1.15	185 1
37	36.3365.70	Nipplo G 1/2"	1
38	36.3296.51	Forcella	1
39	36.3293.51	Pomolo	1

DIS. COD. 36.9527.00

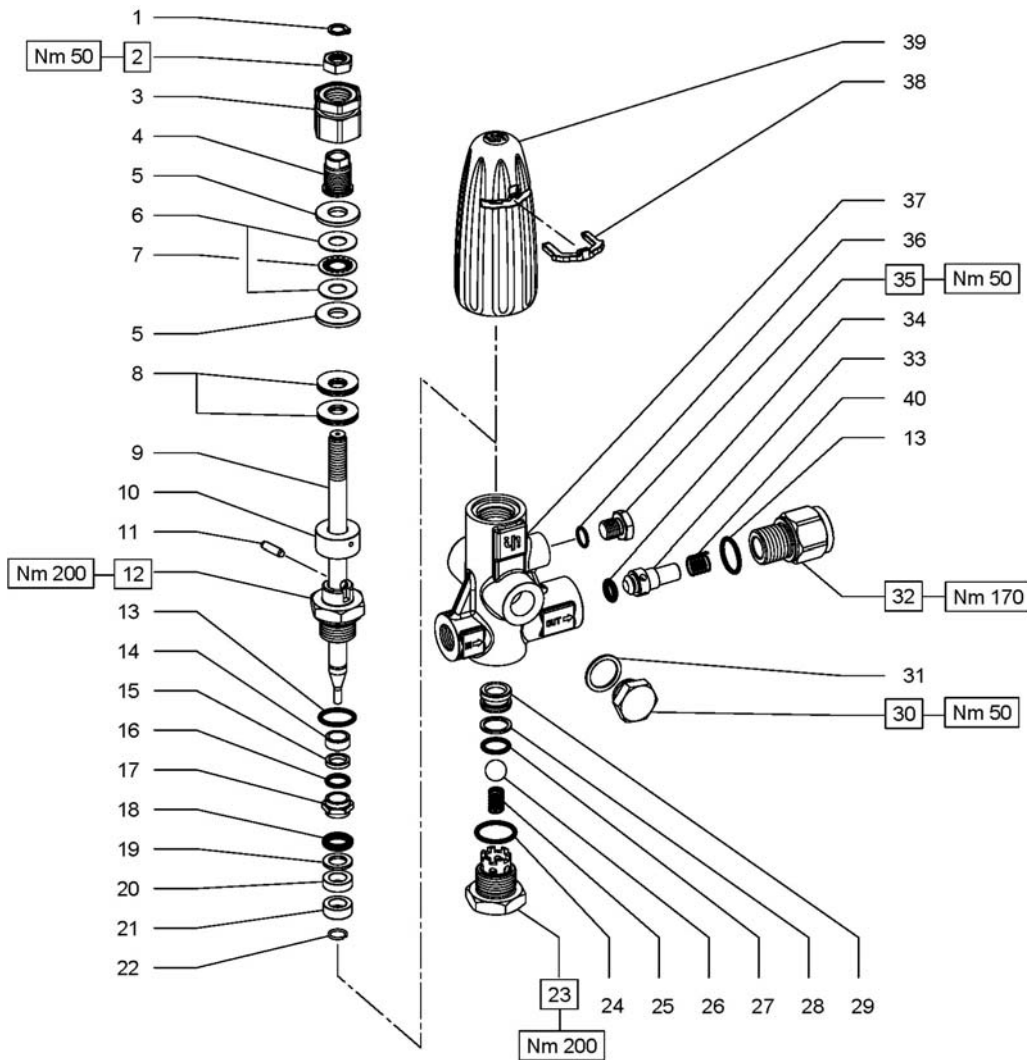
H253SS

KIT NR.	KIT 187
Posizioni include Positions included	6 - 11 - 12 - 13 15 - 17 - 18 - 19 21 - 23 - 24 - 25 26 - 27 - 29 - 31 32
Nr. Pcs.	1÷2

POS	COD.	DESCRIZIONE - DESCRIPTION KIT	NR
1	92.2200.00	Dado M8x5x13 UNI 5589	2
2	36.3262.64	Vite di taratura pressione massima	1
3	92.2400.00	Dado M12x7x19 UNI 5589	1
4	36.3261.64	Ghiera regolazione pressione	1
5	96.7780.00	Rosetta D. 28.0x12.5x1.0	1
6	94.7508.00	Molla Dm. 21.0x60.0	187 1
7	96.7037.00	Rosetta D. 8.5x12.0x1.5	1
8	36.3318.66	Asta valvola	1
9	97.6658.00	Spina D. 3.0x12 UNI 6876	2
10	36.3319.66	Boccola guida asta	1
11	90.3595.00	OR D. 17.17x1.78 NBR SH. 70 2068	187 1
12	36.3327.72	Boccola di guida	187 1
13	90.3818.00	OR D. 7.59x2.62 NBR SH. 70 3030	187 1
14	36.3326.72	Distanziale	1
15	90.3576.00	OR D. 6.75x1.78 NBR SH. 70 106	187 1
16	36.3321.66	Pistoncino di comando	1
17	90.3825.00	OR D. 10.78x2.62 NBR 3043	187 1

POS	COD.	DESCRIZIONE - DESCRIPTION KIT	NR
18	36.3325.72	Anello di guida	187 1
19	90.0063.00	Anello d'arresto D. 8	187 1
20	98.2100.00	Tappo G 3/8"x13	1
21	90.3833.00	OR D. 13.62x2.62 NBR 3056	187 1
22	36.3323.66	Tappo M18x1.5	1
23	90.3592.00	OR D. 14x1.78 NBR SH. 70 2056	187 1
24	94.7355.00	Molla Dm. 8.5x12.0	187 2
25	97.4838.00	Sfera D. 13/32"	187 2
26	90.3585.00	OR D. 10.82x1.78 NBR SH. 70 2043	187 1
27	36.3322.66	Sede valvola	187 1
28	36.3320.36	Corpo valvola	1
29	90.3823.00	OR D. 9.92x2.62 NBR SH. 70 112	187 1
30	36.3324.66	Nipplo G 3/8"	1
31	90.3597.00	OR D. 18.77x1.78 NBR SH. 70 2075	187 1
32	36.3104.51	Guida valvola	187 1
33	36.3297.51	Forcella	1
34	36.3260.51	Pomolo	1

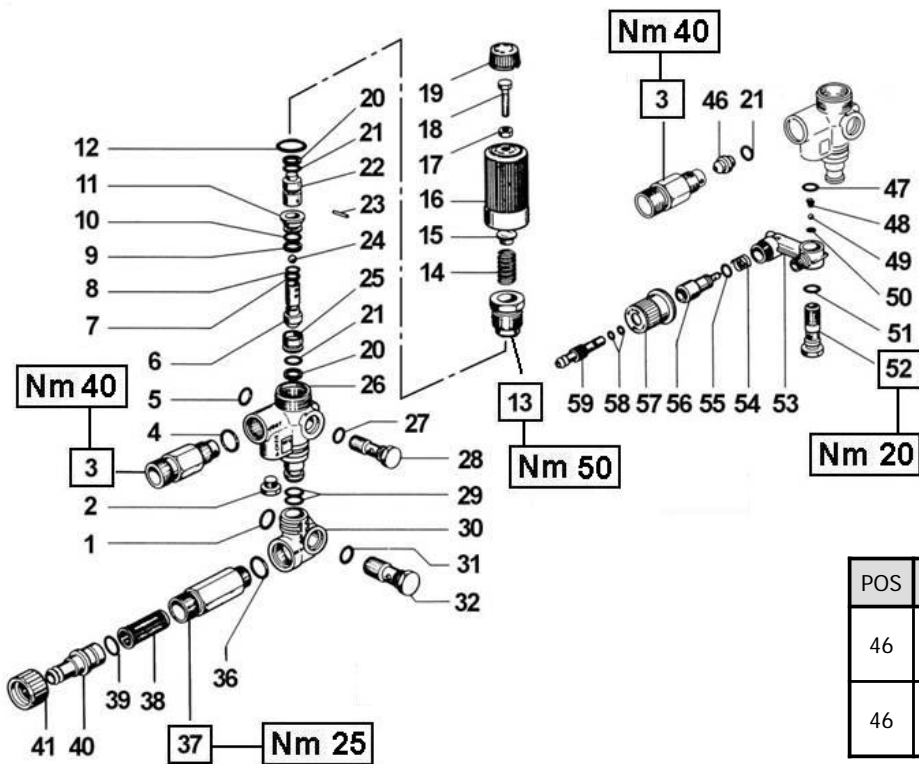
DIS. COD. 36.9525.00

H560

KIT NR.	KIT 179
Posizioni include Positions included	8 - 13 - 15 - 16 18 - 19 - 22 - 24 25 - 26 - 27 - 28 29 - 34 - 36 - 40
Nr. Pcs.	1÷2

POS	COD.	DESCRIZIONE - DESCRIPTION KIT	NR
1	90.0545.00	Anello d'arresto A10 UNI 7435	1
2	92.2400.00	Dado M12x7x19 UNI 5589	1
3	36.3295.64	Ghiera regolazione pressione	1
4	36.3294.64	Vite taratura pressione massima	1
5	36.3284.66	Piattello	2
6	91.7911.00	Ralla D. 12x26x1	2
7	91.7910.00	Gabbia a rullini	1
8	94.8530.00	Molla a tazza D. 28.0x12.2x1.5	179 30
9	36.3279.66	Asta valvola	1
10	36.3285.66	Boccola appoggio molle	1
11	97.6149.00	Spina D. 5.0x18 UNI 1707	1
12	36.3280.66	Boccola guida asta	1
13	90.3849.00	OR D. 20.63x2.62 NBR SH. 70 128	179 2
14	36.3290.70	Bussola di guida D. 16.5	1
15	90.5072.00	Anello antiest. D. 12.0x16.5x3.0	179 1
16	90.3827.00	OR D. 11.91x2.62 NBR SH. 70 115	179 1
17	36.3292.70	Distanziale	179 1
18	90.4200.00	OR D. 12.00x4.50	179 1
19	90.5074.00	Anello antiest. D. 12.0x20.0x2.0	179 1
20	36.3291.70	Buccola di guida D. 20	1

POS	COD.	DESCRIZIONE - DESCRIPTION KIT	NR
21	36.3286.66	Bussola di bloccaggio	1
22	90.0068.00	Anello d'arresto D. 12	179 1
23	36.3283.66	Tappo M27x1.5	1
24	90.3855.00	OR D. 23.47x2.62 NBR SH. 70 3093	179 1
25	94.7374.00	Molla Dm. 9.3x15.5	179 1
26	97.4876.00	Sfera D. 9/16"	179 1
27	90.3835.00	OR D. 15.08x2.62 NBR SH. 70 119	179 1
28	90.5094.00	Anello antiest. D. 16.7x21.0x1.5	179 1
29	36.3285.66	Sede valvola	179 1
30	98.2180.00	Tappo G 1/2"x10	1
31	96.7514.00	Rosetta D. 21.5x27.0x1.5	1
32	36.3287.66	Nipplo G 1/2"F	1
33	36.3288.70	Otturatore	1
34	90.4028.00	OR D. 9.12x3.53 NBR SH. 70 4036	179 1
35	98.2044.00	Tappo G 1/4"x13	1
36	90.3585.00	OR D. 10.82x1.78 NBR SH. 70 2043	179 1
37	36.3278.36	Corpo valvola	1
38	36.3296.51	Forcella	1
39	36.3293.51	Pomolo	1
40	94.7409.00	Molla Dm. 12.7x15.0	179 1



KIT NR.	KIT 94	KIT 98
Posizioni include Positions Included	4 - 21 - 47 48 - 49 - 50 51 - 54 - 55 58	6 - 7 - 8 - 9 10 - 11 - 12 13 - 20 - 21 22 - 23 - 24 25
Nr. Pcs.	1÷2	1÷2

DIS. COD. 36.9501.00

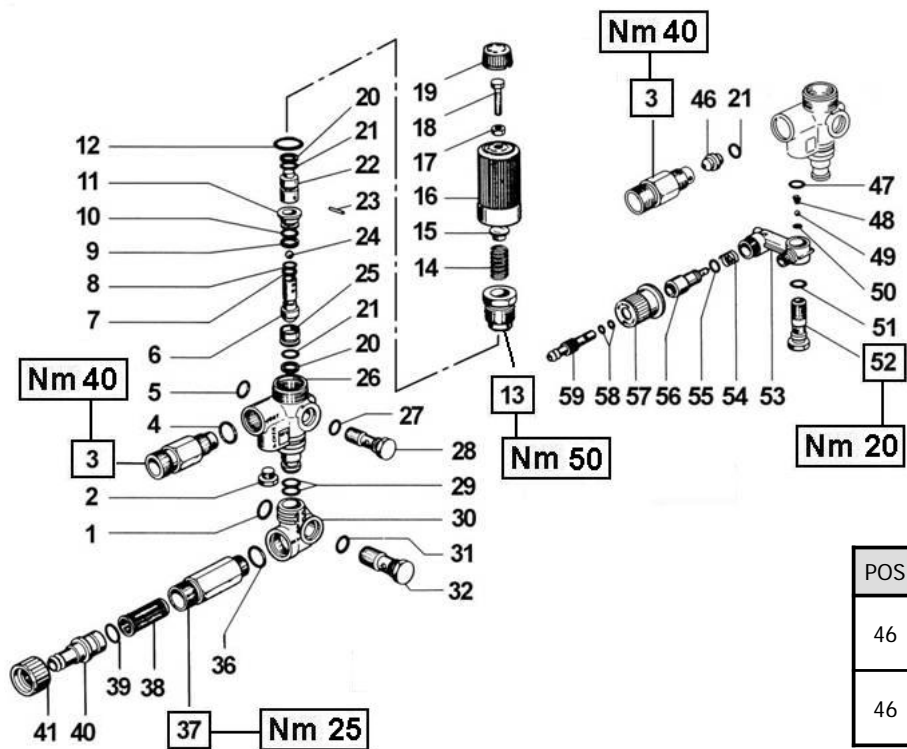
CONTROLSET W1

*** TABELLA A - TABLE A

POS	COD.	DESCRIZIONE - DESCRIPTION	NR
46	10.0151.66	Type 0 - (8÷11 l/min.) Ugello - Nozzle D. 2	1
46	10.0076.66	Type 1 - (12÷15 l/min.) Ugello - Nozzle D. 2.2	1

POS	COD.	DESCRIZIONE - DESCRIPTION KIT	NR
1	90.3839.00	OR D. 15.88x2.62 NBR SH. 70 121	1
2	98.2057.00	Tappo M14x1.5	1
3	10.0147.70 10.0078.70 10.0318.70	Nipplo M22x1.5 con D. 3 Nipplo G 3/8" con D. 3 Nipplo G 3/8" NPT con D. 3 - Vs USA	1
4	90.3832.00	OR D. 13.95x2.62 NBR SH. 70 3056 94	1
5	90.3833.00	OR D. 13.95x2.62 NBR SH. 70 3056	1
6	36.3167.66	Valvola 98	1
7	90.5025.00	Anello antiest. D. 7.0x10.0x1.5 98	1
8	90.3575.00	OR D. 6.75x1.78 NBR SH. 70 106 98	1
9	90.5075.00	Anello antiest. D. 13.0x16.0x1.5 98	1
10	90.3589.00	OR D. 12.42x1.78 NBR SH. 70 2050 98	1
11	36.3165.70	Guida valvola 98	1
12	90.3847.00	OR D. 20.24x2.62 NBR SH. 70 3081 98	1
13	36.3166.70	Boccola di guida 98	1
14	94.7436.00	Molla Dm. 15.0x35.0	1
15	36.3169.70	Piattello molla	1
16	36.3171.02	Pomolo	1
17	92.2200.00	Dado M8x5x13 UNI 5589	1
18	99.3052.00	Vite M8x20	1
19	36.3172.51	Cappello	1
20	90.5065.00	Anello antiest. D. 10.6x15.0x2.0 98	2
21	90.3822.00	OR D. 9.92x2.62 NBR SH. 70 112 94-98	3
22	36.3168.66	Pistoncino di comando 98	1
23	97.6132.00	Spina D. 3.0x14.5 98	1
24	97.4800.00	Sfera D. 9/32" 98	1
25	36.3164.66	Sede valvola 98	1
26	36.3163.01	Corpo valvola	1

POS	COD.	DESCRIZIONE - DESCRIPTION KIT	NR
27	90.3820.00	OR D. 9.13x2.62 NBR SH. 70 109	1
28	36.2567.70	Vite di fissaggio valvola G 1/4"	1
29	90.3825.00	OR D. 10.78x2.62 NBR SH. 70 3043	2
30	36.3152.22	Raccordo aspirazione	1
31	90.3827.00	OR D. 11.91x2.62 NBR SH. 70 115	1
32	36.2568.70	Vite di fissaggio valvola G 3/8"	1
36	90.3591.00	OR D. 14x1.78 NBR SH. 70 2056	1
37	36.2560.70 36.2584.70	Nipplo aspiraz. M22x1.5 Nipplo aspiraz. 1/2" NPT - Vs USA	1
38	92.8925.00	Filtro D. 12x35	1
39	90.3828.00	OR D. 12.37x2.62 NBR SH. 70 3050	1
40	36.2569.70	Portagomma aspirazione	1
41	10.0119.02	Ghiera	1
46	***	Vedi tabella A - See table A	-
47	90.3582.00	OR D. 9.25x1.78 NBR SH. 70 2037 94	1
48	94.8217.00	Molla conica D. 4.3/7.3x11.0 94	1
49	97.4782.00	Sfera D. 7/32" 94	1
50	90.3572.00	OR D. 5.28x1.78 NBR SH. 70 2021 94	1
51	90.3585.00	OR D. 10.82x1.78 NBR SH. 70 2043 94	1
52	36.2563.70	Sede valvola	1
53	36.2562.51	Corpo dosatore	1
54	94.7383.00	Molla Dm. 9.75x10.0 94	1
55	90.3580.00	OR D. 8.73x1.78 NBR SH. 70 108 94	1
56	36.2564.70	Otturatore	1
57	36.2565.51	Pomolo	1
58	90.3570.00	OR D. 4.48x1.78 NBR SH. 70 2018 94	2
59	36.2566.70	Innesto portagomma	1



KIT NR.	KIT 94	KIT 98
Posizioni include Positions included	4 - 21 - 47 48 - 49 - 50 51 - 54 - 55 58	6 - 7 - 8 - 9 10 - 11 - 12 13 - 20 - 21 22 - 23 - 24 25
Nr. Pcs.	1÷2	1÷2

DIS. COD. 36.9501.00

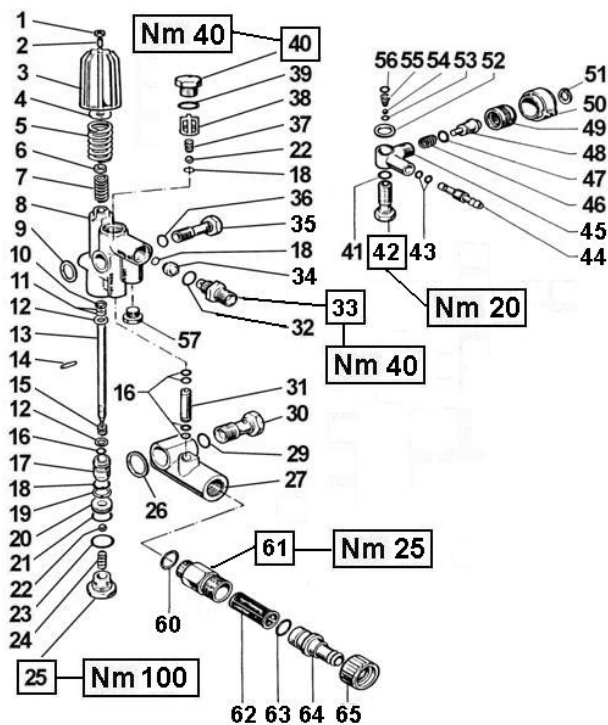
CONTROLSET W1L

*** TABELLA A - TABLE A

POS	COD.	DESCRIZIONE - DESCRIPTION	NR
46	10.0151.66	Type 0 - (8÷11 l/min.) Ugello - Nozzle D. 2	1
46	10.0076.66	Type 1 - (12÷15 l/min.) Ugello - Nozzle D. 2.2	1

POS	COD.	DESCRIZIONE - DESCRIPTION KIT	NR
1	93.1972.00	Rondella ditenuta G 1/2"	1
2	98.2057.00	Tappo M14x1.5	1
3	10.0147.70 10.0078.70 10.0318.70	Nipplo M22x1.5 con D. 3 Nipplo G 3/8" con D. 3 Nipplo G 3/8" NPT con D. 3 - Vs USA	1
4	90.3832.00	OR D. 13.95x2.62 NBR SH. 70 3056 94	1
5	93.1858.00	Rondella di tenuta G 3/8"	1
6	36.3167.66	Valvola 98	1
7	90.5025.00	Anello antiest. D. 7.0x10.0x1.5 98	1
8	90.3575.00	OR D. 6.75x1.78 NBR SH. 70 106 98	1
9	90.5075.00	Anello antiest. D. 13.x16.x1.5 98	1
10	90.3589.00	OR D. 12.42x1.78 NBR SH. 70 2050 98	1
11	36.3165.70	Guida valvola 98	1
12	90.3847.00	OR D. 20.24x2.62 NBR SH. 70 3081 98	1
13	36.3166.70	Boccola di guida 98	1
14	94.7436.00	Molla Dm. 15.0x35.0	1
15	36.3169.70	Piattello molla	1
16	36.3171.02	Pomolo	1
17	92.2200.00	Dado M8x5x13 UNI 5589	1
18	99.3052.00	Vite M8x20	1
19	36.3172.51	Cappello	1
20	90.5065.00	Anello antiest. D. 10.6x15.0x2.0 98	2
21	90.3822.00	OR D. 9.92x2.62 NBR SH. 70 112 94-98	3
22	36.3168.66	Pistoncino di comando 98	1
23	97.6132.00	Spina D. 3.0x14.5 98	1
24	97.4800.00	Sfera D. 9/32" 98	1
25	36.3164.66	Sede valvola 98	1
26	36.3173.01	Corpo valvola	1

POS	COD.	DESCRIZIONE - DESCRIPTION KIT	NR
27	90.3827.00	OR D. 11.91x2.62 NBR SH. 70 115	1
28	36.2568.70	Vite di fissaggio valvola G 3/8"	1
29	90.3825.00	OR D. 10.78x2.62 NBR SH. 70 3043	2
30	36.3174.22	Raccordo aspirazione	1
31	90.3841.00	OR D. 17.13x2.62 NBR SH. 70 3068	1
32	36.3175.70	Vite di fissaggio valvola G 1/2"	1
36	90.3841.00	OR D. 17.13x2.62 NBR SH. 70 3068	1
37	36.3178.70	Nipplo aspirazione M22X1.5	1
38	92.8925.00	Filtro D. 12x35	1
39	90.3828.00	OR D. 12.37x2.62 NBR SH. 70 3050	1
40	36.2569.70	Portagomma aspirazione	1
41	10.0119.02	Ghiera	1
46	***	Vedi tabella A - See table A	-
47	90.3582.00	OR D. 9.25x1.78 NBR SH. 70 2037 94	1
48	94.8217.00	Molla conica D. 4.3/7.3x11.0 94	1
49	97.4782.00	Sfera D. 7/32" 94	1
50	90.3572.00	OR D. 5.28x1.78 NBR SH. 70 2021 94	1
51	90.3585.00	OR D. 10.82x1.78 NBR SH. 70 2043 94	1
52	36.2563.70	Sede valvola	1
53	36.2562.51	Corpo dosatore	1
54	94.7383.00	Molla Dm. 9.75x10.0 94	1
55	90.3580.00	OR D. 8.73x1.78 NBR SH. 70 108 94	1
56	36.2564.70	Otturatore	1
57	36.2565.51	Pomolo	1
58	90.3570.00	OR D. 4.48x1.78 NBR SH. 70 2018 94	2
59	36.2566.70	Innesto portagomma	1



KIT NR.	KIT 93	KIT 94
Posizioni include Positions included	5 - 10 - 11 - 15 16 - 18 - 19 - 20 21 - 22 - 23 - 24 29 - 36 - 37 - 38 39	4 - 21 - 47 48 - 49 - 50 51 - 54 - 55 56
Nr. Pcs.	1÷2	1

DIS. COD. 36.9519.00

CONTROLSET W2- W2L

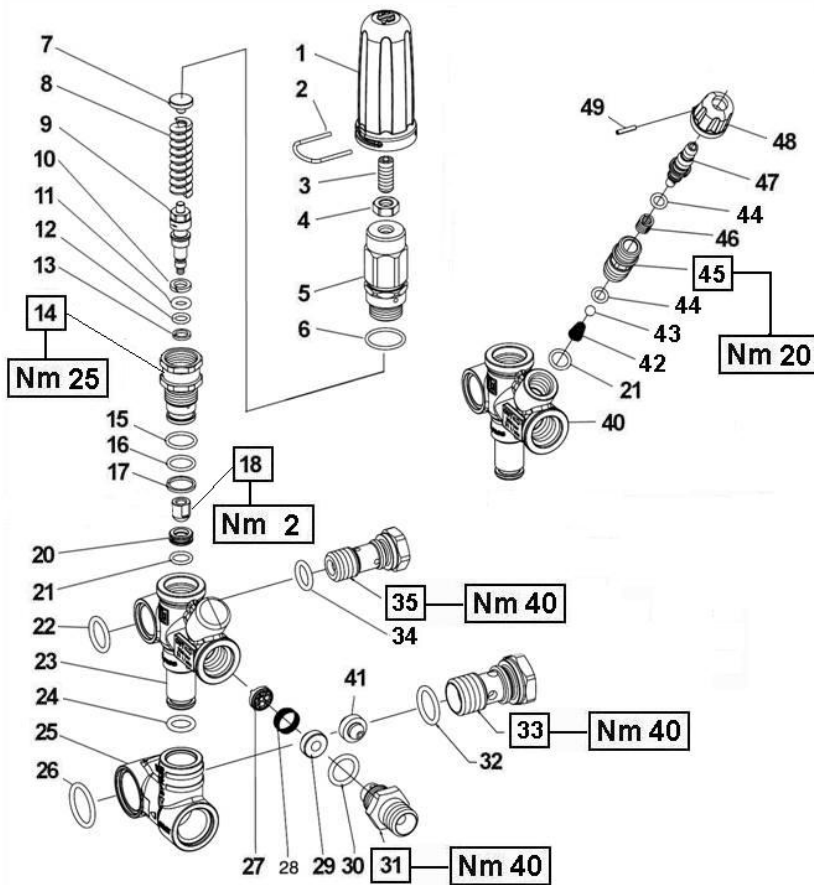
*** TABELLA A - TABLE A

POS	COD.	DESCRIZIONE - DESCRIPTION	NR
34	10.0151.66	Type 0 (8÷11 l/min.) Ugello D. 2.0	1
34	10.0076.66	Type 1 (12÷15 l/min.) Ugello D. 2.2	1
34	10.0077.66	Type 2 (16÷21 l/min.) Ugello D. 2.5	1

POS	COD.	DESCRIZIONE - DESCRIPTION KIT	NR
1	92.2020.00	Dado M6x4x10 UNI 5589	1
2	99.1848.00	Vite M6x16 UNI 5923	1
3	36.3145.02	Pomolo	1
4	36.3141.64	Piattello molla	94 1
5	94.7516.00	Molla Dm. 21.5x46.0	93 1
6	92.2200.00	Dado M8x5x13 UNI 5589	1
7	94.7400.00	Molla Dm. 11.8x28.5	1
8	36.3134.01	Corpo valvola	1
9	93.1858.00	Rondella di tenuta G 3/8"	1
10	90.5034.00	Anello antiest. D. 8.0x10.7x1.5	93 1
11	90.3577.00	OR D. 7.66x1.78 NBR SH. 70 2031	93 2
12	96.7009.00	Rosetta D. 8.0x14.x1.5	2
13	36.3143.73	Guida pistone	1
14	97.6660.00	Spina elastica	1
15	94.7384.00	Molla Dm. 9.8x11.8	93 1
16	90.3574.00	OR D. 6.07x1.78 NBR SH. 70 2025	93 5
17	36.3142.66	Pistoncino di comando	1
18	90.3822.00	OR D. 9.92x2.62 NBR SH. 70 112	93 3
19	90.5065.00	Anello antiest. D. 10.6x15.0x2.0	93 1
20	36.3137.66	Sede valvola	93 1
21	90.3593.00	OR D. 15.6x1.78 NBR SH. 70 2062	93-94 1
22	97.4838.00	Sfera D. 13/32"	93 2
23	90.3843.00	OR D. 17.86x2.62 NBR SH. 70 123	93 1
24	94.7374.00	Molla Dm. 9.3x15.5	93 1
25	36.3136.70	Tappo M22x1.5	1
26	93.1972.00	Rondella di tenuta G 1/2"	1
27	36.3135.22	Raccordo aspirazione	1
29	90.3841.00	OR D. 17.13x2.62 NBR SH. 70 3068	93 1
30	36.3139.70	Vite di fissaggio G 1/2"	1
31	36.3138.93 36.3162.93 36.3298.93	Tubo by-pass - SERIE POMPA 44 49 50 52 Tubo by-pass - SERIE POMPA 47 Tubo by-pass - SERIE POMPA 63	1
32	90.3832.00	OR D. 13.95x2.62 NBR SH. 70 3056	1

POS	COD.	DESCRIZIONE - DESCRIPTION KIT	NR
33	10.0078.70 10.0147.70	Nipplo G 3/8" con D. 3 Nipplo M22x1.5 con D. 3	1
34	***	Vedere tabella A - See table A	-
35	36.3140.70	Vite di fissaggio G 3/8"	1
36	90.3827.00	OR D. 11.91x2.62 NBR SH. 70 115	93 1
37	94.7355.00	Molla Dm. 8.5x12.0	93 1
38	36.3104.51	Guida valvola	93 1
39	90.3839.00	OR D. 15.88x2.62 NBR SH. 70 121	93 1
40	98.2152.00	Tappo M20x1.5x12	1
41	90.3585.00	OR D. 10.82x1.78 NBR SH. 70 2043	1
42	36.2563.70	Sede valvola	1
43	90.3570.00	OR D. 4.48x1.78 NBR SH. 70 2018	1
44	36.2566.70	Innesto portagomma	1
45	36.3146.41	Corpo dosatore	1
46	94.7383.00	Molla Dm. 9.75x10,0	1
47	90.3580.00	OR D. 8.73x1.78 NBR SH. 70 108	94 1
48	36.3147.70	Otturatore	94 1
49	36.3148.70	Inserito per pomolo	94 1
50	36.3149.51	Pomolo	94 1
51	90.0545.00	Anello d'arresto A10 UNI 7435	94 1
52	96.7280.00	Rosetta D. 14.x18.x0.5	1
53	90.3572.00	OR D. 5.28x1.78 NBR SH. 70 2021	1
54	97.4782.00	Sfera D. 7/32"	94 1
55	94.8217.00	Molla conica D. 4.3/7.3x11,0	94 1
56	90.3582.00	OR D. 9.25x1.78 NBR SH. 70 2037	94 1
57	98.2057.00	Tappo M14x1.5	1
60	90.3594.00	OR D. 17.17x1.78 NBR SH. 70 2068	1
61	36.3178.70	Nipplo aspirazione M22x1.5xG 1/2"	1
62	92.8927.00	Filtro D. 15x67	1
63	90.3828.00	OR D. 12.37x2.62 NBR SH. 70 3050	1
64	36.2569.70	Portagomma aspirazione	1
65	10.0119.02	Ghiera	1

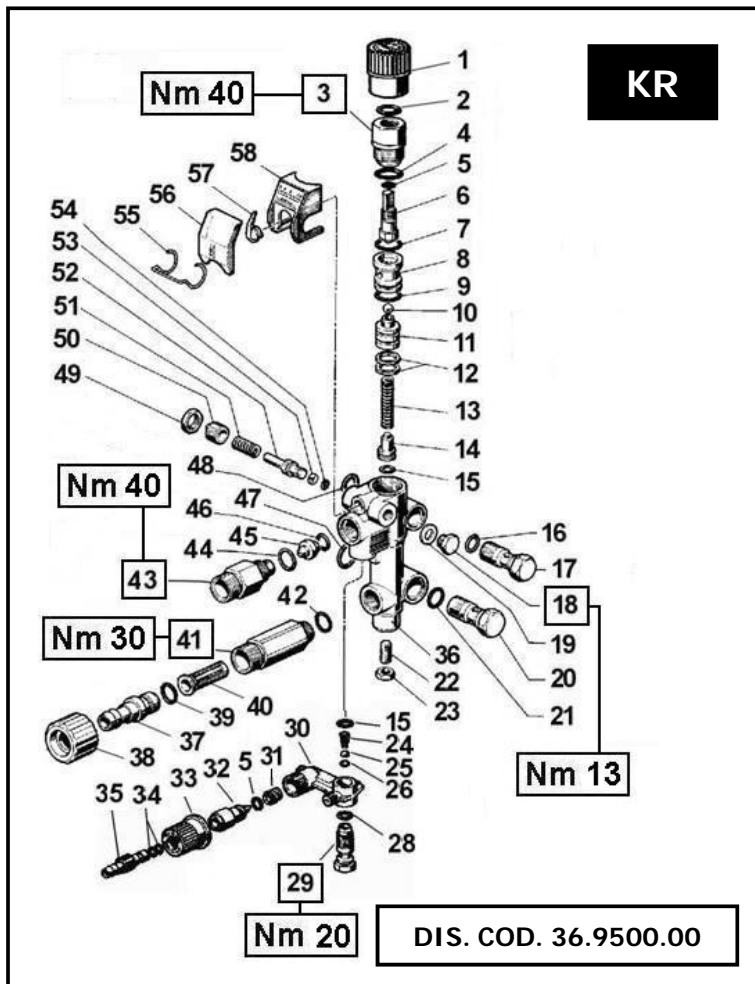
DIS. COD. 36.9530.00

CONTROLSET W3

KIT NR.	KIT 241	KIT 242
Posizioni include	9 - 10 - 11 12 - 13 - 14	21 - 27 - 28 30 - 42 - 43
Positions included	15 - 16 - 17 18 - 20 - 21	44 - 46
Nr. Pcs.	1÷2	1÷2

POS	COD.	DESCRIZIONE - DESCRIPTION KIT	NR
1	36.3346.51	Pomolo di regolazione	1
2	10.0673.66	Forcella di fermo	1
3	99.3054.00	Vite M8x20 UNI 5923	1
4	92.2218.00	Dado M8x5x13 UNI 5589	1
5	36.3337.70	Registro di pressione	1
6	90.3596.00	OR D. 18.77x1.78 NBR SSH. 70 2075	1
7	36.3345.64	Piattello molla	1
8	94.7371.00	Molla Dm. 9.1x45.0	1
9	36.3360.66	Pistoncino di comando	241 1
10	90.5027.00	Anello antiest. D. 7.2x11.5x2.0	241 1
11	90.3817.00	OR D. 6.02x2.62 NBR SH. 70 3024	241 1
12	90.3576.00	OR D. 12.42x1.78 NBR SH. 70 106	241 1
13	90.5024.00	Anello antiest. D. 13.4x16.0x1.5	241 1
14	36.3335.70	Boccola di guida	241 1
15	90.3591.00	OR D. 14x1.78 NBR SH. 70 2056	241 1
16	90.3589.00	OR D. 12.42x1.78 NBR SH. 70 2050	241 1
17	90.5078.00	Anello antiest. D. 13.4x16.0x1.5	241 1
18	36.3361.66	Valvola sferica	241 1
20	36.3344.66	Sede	241 1
21	90.3582.00	OR D. 9.25x1.78 NBR SH. 70 2037	241-242 2
22	90.3837.00	OR D. 15.54x2.62 NBR SH. 70 3062	1
23	36.3352.41	Corpo valvola no detergente	1
24	90.3825.00	OR D. 10.78x2.62 NBR 3043	1
25	36.3343.22	Raccordo aspirazione	1

POS	COD.	DESCRIZIONE - DESCRIPTION KIT	NR
26	90.3849.00	OR D. 20.63x2.62 NBR SH. 70 128	1
27	36.3350.51	Valvola piana	242 1
28	94.7418.00	Molla Dm. 13.2x7.0	242 1
29	36.3351.70	Distanziale	1
30	90.3833.00	OR D. 13.92x2.62 NBR SH. 70 3056	242 1
31	10.0078.70 10.0147.70	Nipplo G 3/8" per ugello iniettore Nipplo G 3/8"x22x1.5 con foro D. 3	1
32	90.3841.00	OR D. 17.13x2.62 NBR SH. 70 3068	1
33	36.3340.70	Vite di fissaggio valvola G 1/2"	1
34	90.3827.00	OR D. 11.91x2.62 NBR SH. 70 115	1
35	36.3341.70	Vite di fissaggio valvola G 3/8"	1
CON ASPIRAZIONE DETERGENTE - WITH CHEMICAL INJECTOR			
40	36.3334.41	Corpo valvola	1
41	10.0151.66 10.0076.66 10.0077.66	Ugello D. 2.0 (7÷10 l/min.) Ugello D. 2.2 (11÷15 l/min.) Ugello D. 2.5 (16÷21 l/min.)	1
42	94.8217.00	Molla conica D. 4.3x7.3x11	242 1
43	97.4782.00	Sfera D. 7/32"	242 1
44	90.3573.00	OR D. 5.28x1.78 NBR SH. 70 2021	242 2
45	36.3336.70	Sede valvola detergente	1
46	94.7334.00	Molla Dm. 6.4x13.0	242 1
47	36.3342.70	Otturatore con portagomma	1
48	36.3347.51	Pomolo regolazione detergente	1
49	97.6615.00	Spina elastica D. 2.0x12	1



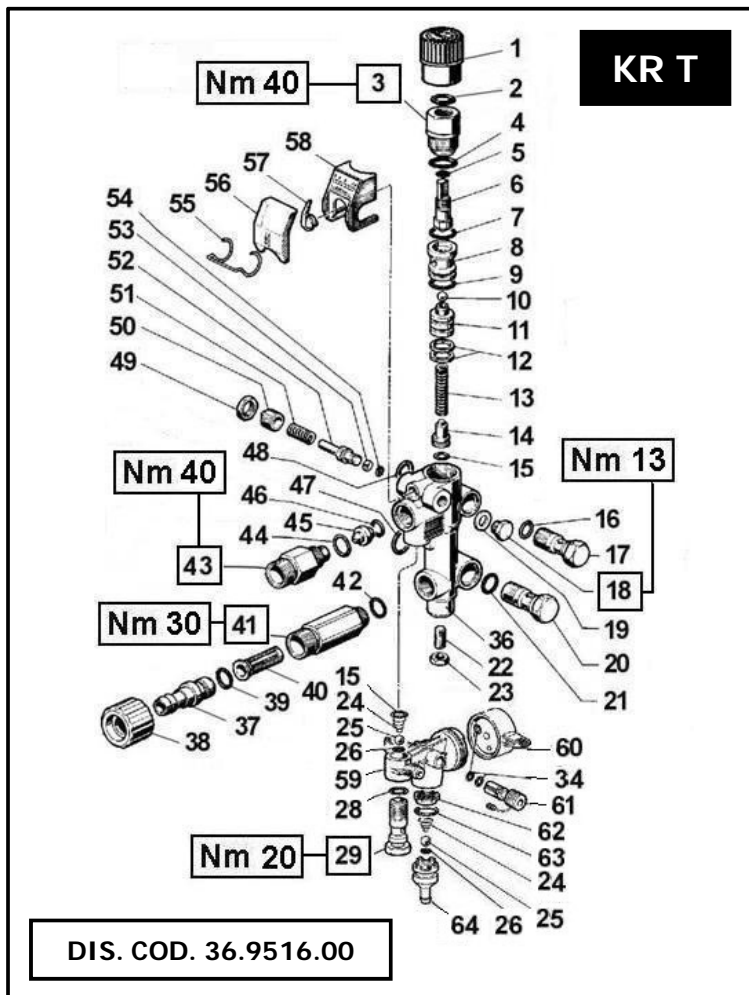
POS	COD.	DESCRIZIONE - DESCRIPTION KIT	NR
1	36.2583.51	Pomolo	1
2	90.3835.00	OR D. 15.08x2.62 NBR SH. 70 119 95-99	1
3	36.2556.70	Tappo	1
4	90.3847.00	OR D. 20.24x2.62 NBR SH. 70 3081 95-99	1
5	90.3580.00	OR D. 8.73x1.78 NBR SH. 70 108 94-95-99	2
6	36.2574.02	Assieme otturatore	1
7	90.3598.00	OR D. 20.35x1.78 NBR SH. 70 2081 95-99	1
8	36.2554.66	Sede valvola 95-99	1
9	90.3596.00	OR D. 18.77x1.78 NBR SH. 70 2075 95-99	1
10	97.4802.00	Sfera D. 9/32" 95-99	1
11	***	Vedere tabella A - See table A	-
12	90.5080.00	Anello antiest. D. 13.5x18.0x2.0 95-99	2
13	94.7344.00	Molla Dm. 7.5x40.0 95-99	1
14	36.2552.70	Piattello molla	1
15	90.3582.00	OR D. 9.25x1.78 NBR SH. 70 2037 94-95-99	2
16	90.3820.00	OR D. 9.13x2.62 NBR SH. 70 109 95-99	1
17	36.2567.70	Vite di fissaggio valvola G 1/4"	1
18	98.1966.00	Tappo G 1/8"x8	1
19	96.7100.00	Rosetta D. 10.0x14.0x1.5	1
20	36.2568.70	Vite di fissaggio valvola G 3/8"	1
21	90.3827.00	OR D. 11.91x2.62 NBR SH. 70 115 95-99	1
22	99.3054.00	Vite M8x20 UNI 5923	1
23	92.2218.00	Dado M8x5x13 UNI 5589	1
24	94.8217.00	Molla conica D. 4.3/7.3x11.0 94	1
25	97.4782.00	Sfera D. 7/32" 94	1
26	90.3572.00	OR D. 5.28x1.78 NBR SH. 70 2021 94	1

KIT NR.	KIT 94	KIT 95 KR1 KR2	KIT 99 KR90 KR92 KR100
Posizioni incluse Positions included	5 - 15 - 24 25 - 26 - 28 31 - 34 - 44 46	2 - 4 - 5 - 7 - 8 9 - 10 - 12 - 13 15 - 16 - 21 - 39 42 - 47 - 48 - 53 54	2 - 4 - 5 - 7 - 8 9 - 10 - 12 - 13 15 - 16 - 21 - 39 42 - 47 - 48 - 53 54
Nr. Pcs.	1÷2	1÷2	1÷2

*** TABELLA A - TABLE A

MODEL	POS	COD.	DESCRIZIONE - DESCRIPTION	NR
KR1 KR90	11	36.2572.70	Pistoncino D. 2.25	1
	45	10.0307.51	Ugello D. 1.8	1
KR2 KR92	11	36.2553.70	Pistoncino D. 2.80	1
	45	10.0151.66	Ugello D. 2.0	1
KR100	11	36.2595.70	Pistoncino D. 2.50	1
	45	10.0151.66	Ugello D. 2.0	1

POS	COD.	DESCRIZIONE - DESCRIPTION KIT	NR
28	90.3585.00	OR D. 10.82x1.78 NBR SH. 70 2043 94	1
29	36.2563.70	Sede valvola	1
30	36.2562.51	Corpo dosatore	1
31	94.7383.00	Molla Dm. 9.45x10.0 94	1
32	36.2564.70	Otturatore	1
33	36.2565.51	Pomolo - OPTIONAL	1
34	90.3570.00	OR D. 4.78x1.78 NBR SH. 70 2018 94	2
35	36.2566.70	Innesto portagomma - OPTIONAL	1
36	36.2582.41 36.2588.41	Corpo valvola Corpo valvola - KR90 KR92 KR100	1
37	36.2569.70	Portagomma aspirazione	1
38	10.0119.02	Ghiera	1
39	90.3828.00	OR D. 12.37x2.62 NBR SH. 70 3050 95-99	1
40	92.8925.00	Filtro D. 12x35	1
41	36.2560.70 36.2584.70	Nipplo aspiraz. M22x1.5 Nipplo aspiraz. G 1/2" NPT - Vs USA	1
42	90.3591.00	OR D. 14x1.78 NBR SH. 70 2056 95-99	1
43	10.0147.70 10.0318.70	Nipplo M22x1.5 con D. 3 Nipplo 3/8" NPT con D. 3 - Vs USA	1
44	90.3832.00	OR D. 13.95x2.62 NBR SH. 70 3056 94	1
45	***	Vedere tabella A - See table A	-
46	90.3822.00	OR D. 9.92x2.62 NBR SH. 70 112 94	1
47	90.3839.00	OR D. 15.88x2.62 NBR SH. 70 121 95-99	1
48	90.3833.00	OR D. 13.95x2.62 NBR SH. 70 3056 95-99	1
49	92.2492.00	Dado M14x17x3	1
50	36.2580.70	Vite di regolazione manometro	1
51	94.7338.00	Molla Dm. 7.2x18.0	1
52	36.2579.70 36.2589.70	Pistoncino - KR1 KR2 Pistoncino - KR90 KR92 KR100	1
53	90.5007.00 90.5004.00	An. ant. D. 4.0x6.8x1.5 - KR1 KR2 An. ant. D. 3.2x6.0x1.5 - KR90 92 100 99	1
54	90.3568.00 90.3567.00	OR D. 3.69x1.78 NBR SH. 70 2015 KR1 KR2 OR D. 2.9x1.78 NBR SH. 70 2012 KR90 KR92 KR100 99	1
55	94.8718.00	Molla Dm. 18.0	1
56	36.2577.51	Coperchio manometro	1
57	36.2578.51	Indicatore manometro	1
58	36.2586.01 36.2590.01	Quadrante manometro - KR1 KR2 Quadrante manometro - KR90 KR92 KR100	1



KIT NR.	KIT 99	KIT 138
Posizioni incluse Positions included	2 - 4 - 5 - 7 8 - 9 - 10 - 12 13 - 15 - 16 - 21 39 - 42 - 47 - 48 53 - 54	15 - 24 - 25 26 - 28 - 34 61 - 62 - 63 64
Nr. Pcs.	1÷2	1÷2

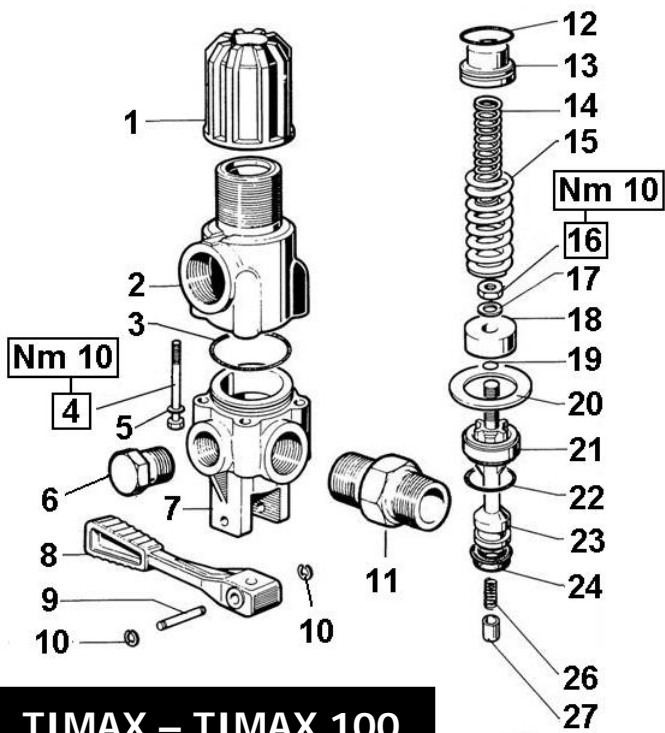
*** TABELLA A - TABLE A

MODEL	POS	COD.	DESCRIZIONE - DESCRIPTION	NR
KR 90T	11	36.2572.70	Pistoncino D. 2.25	1
	45	10.0307.51	Ugello D. 1.8	1
KR 100T	11	36.2595.70	Pistoncino D. 2.50	1
	45	10.0151.66	Ugello D. 2.0	1

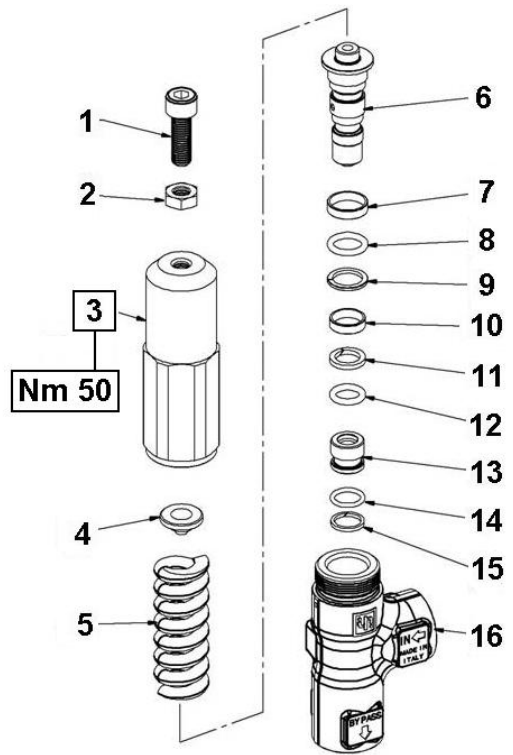
POS	COD.	DESCRIZIONE - DESCRIPTION KIT	NR
25	97.4782.00	Sfera D. 7/32" 138	2
26	90.3572.00	OR D. 5.28x1.78 NBR SH. 70 2021 138	2
28	90.3585.00	OR D. 10.82x1.78 NBR SH. 70 2043 138	1
29	36.2563.70	Sede valvola	1
34	90.3570.00	OR D. 4.78x1.78 NBR SH. 70 2018 138	3
36	36.2588.41	Corpo valvola	1
37	36.2569.70	Portagomma aspirazione	1
38	10.0119.02	Ghiera	1
39	90.3828.00	OR D. 12.37x2.62 NBR SH. 70 3050 99	1
40	92.8925.00	Filtro D. 12x35	1
41	36.2560.70	Nipplo aspirazione M22x1.5	1
42	90.3591.00	OR D. 14x1.78 NBR SH. 70 2056 99	1
43	10.0147.70	Nipplo M22x1.5 con D. 3	1
44	90.3832.00	OR D. 13.95x2.62 NBR SH. 70 3056	1
45	***	Vedere tabella A - See table A	-
46	90.3822.00	OR D. 9.92x2.62 NBR SH. 70 112	1
47	90.3839.00	OR D. 15.88x2.62 NBR SH. 70 121 99	1
48	90.3833.00	OR D. 13.95x2.62 NBR SH. 70 3056 99	1
49	92.2492.00	Dado M14x17x3	1
50	36.2580.70	Vite di regolazione manometro	1
51	94.7338.00	Molla D. 7.2x18.0	1
52	36.2589.70	Pistoncino	1
53	90.5004.00	Anello antiest. D. 3.2x6.0x1.5 99	1
54	90.3567.00	OR D. 2.9x1.78 NBR SH. 70 2012 99	1
55	94.8718.00	Molla Dm. 18.0	1
56	36.2577.51	Coperchio manometro	1
57	36.2578.51	Indicatore manometro	1
58	36.2590.01	Quadrante manometro	1
59	36.3216.51	Corpo regolatore	1
60	36.3217.51	Pomolo di regolazione	1
61	36.3220.51	Tappo D. 8 138	1
62	36.3219.51	Filtro 138	1
63	90.3831.00	OR D. 13.10x2.62 NBR SH. 70 117 138	1
64	36.3218.51	Innesto portagomma 138	1

POS	COD.	DESCRIZIONE - DESCRIPTION KIT	NR
1	36.3222.51	Pomolo	1
2	90.3835.00	OR D. 15.08x2.62 NBR SH. 70 119 99	1
3	36.2556.70	Tappo	1
4	90.3847.00	OR D. 20.24x2.62 NBR SH. 70 3081 99	1
5	90.3580.00	OR D. 8.73x1.78 NBR SH. 70 108 99	1
6	36.2574.02	Assieme otturatore	1
7	90.3598.00	OR D. 20.35x1.78 NBR SH. 70 2081 99	1
8	36.2554.66	Sede valvola 99	1
9	90.3596.00	OR D. 18.77x1.78 NBR SH. 70 2075 99	1
10	97.4802.00	Sfera D. 9/32" 99	1
11	***	Vedere tabella A - See table A	-
12	90.5080.00	Anello antiest. D. 13.5x18.0x2.0 99	2
13	94.7344.00	Molla Dm. 7.5x40.0 99	1
14	36.2552.70	Piattello molla	1
15	90.3582.00	OR D. 9.25x1.78 NBR SH. 70 2037 99-138	2
16	90.3820.00	OR D. 9.13x2.62 NBR SH. 70 109 99	1
17	36.2567.70	Vite di fissaggio valvola G 1/4"	1
18	98.1966.00	Tappo G 1/8"x8	1
19	96.7100.00	Rosetta D. 10.0x14.0x1.5	1
20	36.2568.70	Vite di fissaggio valvola G 3/8"	1
21	90.3827.00	OR D. 11.91x2.62 NBR SH. 70 115 99	1
22	99.3054.00	Vite M8x20 UNI 5923	1
23	92.2218.00	Dado M8x5x13 UNI 5589	1
24	94.8217.00	Molla conica D. 4.3/7.3x11.0 138	2

DIS. COD. 36.9510.00



TIMAX – TIMAX 100



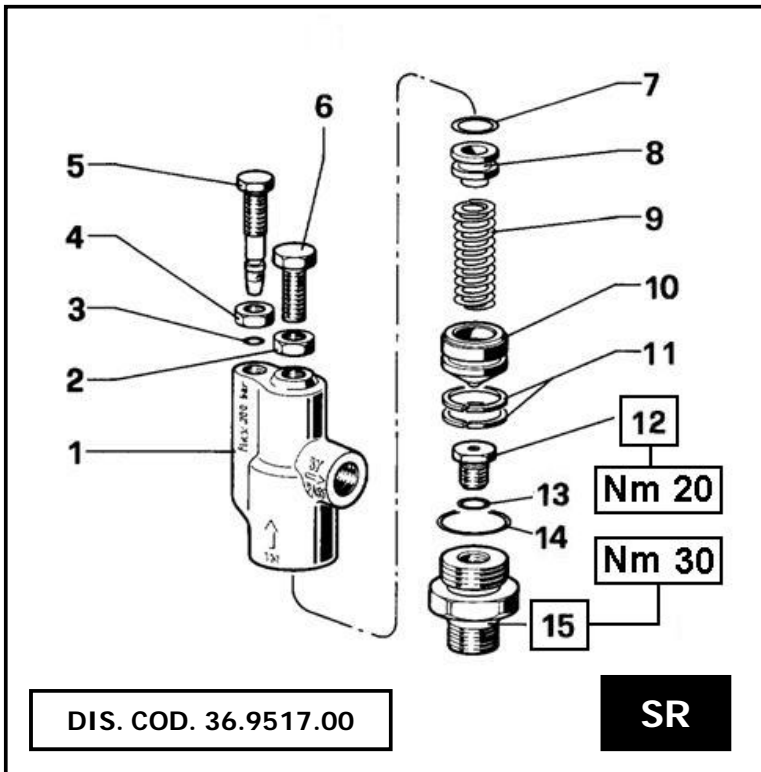
DIS. COD. 36.9528.00

SX1

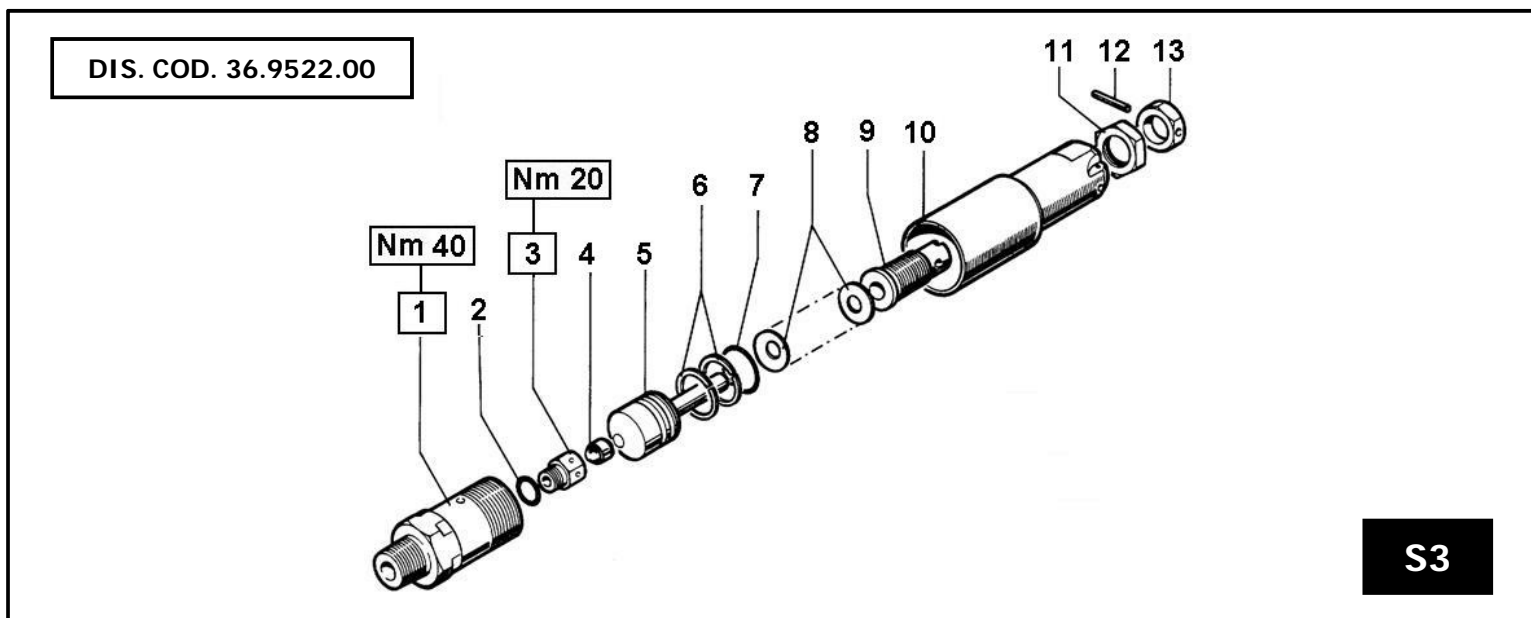
POS	COD.	DESCRIZIONE - DESCRIPTION KIT	NR
1	36.0022.51 36.0087.71	Pomolo di regolazione - TIMAX Pomolo di regolazione - TIMAX 100	1
2	36.0019.41	Corpo valvola superiore	1
3	90.3877.00	OR D. 39.34x2.62 NBR SH. 70 3156 51	1
4	99.1970.00	Vite M6x50 UNI 5737	4
5	96.6938.00	Rosetta D. 6.4x10.0x0.7	4
6	98.2176.00	Tappo G 1/2"x10	2
7	36.0018.41	Corpo valvola inferiore	1
8	36.0021.22	Leva di comando	1
9	95.7156.00	Perno D. 6x36	1
10	90.0509.00	Anello d'arresto E04 UNI 7434	2
11	95.3010.00 95.2706.00	Nipplo G 3/4" Nipplo G 3/4" - G 3/8"	1
12	90.3859.00	OR D. 25.07x2.62 NBR SH. 70 3100 51	1
13	36.0023.70 36.0086.70	Guida molla - TIMAX Guida molla - TIMAX 100	1
14	94.7406.00	Molla Dm. 12.0x62.5	1
15	94.7504.00	Molla Dm. 20.5x56.5	1
16	92.2220.00	Dado M8x5x13 UNI 5589	1
17	96.7010.00	Rosetta D. 8.25x12.0x1.0	1
18	36.0024.76	Valvola piana 51	1
19	90.3578.00	OR D. 7.66x1.78 NBR SH. 70 2031 51	1
20	96.7750.00	Rosetta D. 27.5x45.0x3.0	1
21	36.0025.56	Sede valvola 51	1
22	90.3863.00	OR D. 28.25x2.62 NBR SH. 70 3112 51	1
23	36.0020.41	Asta porta valvola	1
24	90.2605.00	Anello ten. alt. D. 13.5x50.0x6.35 51	1
26	94.7323.00	Molla Dm. 5.5x22.5	1
27	36.0029.70	Perno di posizionamento	1

POS	COD.	DESCRIZIONE - DESCRIPTION KIT	NR
1	99.3070.00	Vite M8x25 UNI 5931	1
2	92.2220.00	Dado M8x5x13 UNI 5589	1
3	36.0036.70	Corpo superiore	1
4	36.3169.70	Piattello molla	1
5	94.7466.00	Molla Dm. 17.0x60.0	1
6	36.0041.02	Assieme pistoncino-sfera	1
7	36.0040.72	Boccola di guida D. 15x17x4	1
8	90.3827.00	OR D. 11.91x2.62 NBR SH. 70 115	1
9	90.5071.00	Anello antiest. D. 12.7x17.0x4.0	1
10	36.0039.72	Boccola di guida D. 13x15x4	1
11	90.5065.00	Anello antiest. D. 10.6x15.0x2.0	1
12	90.3823.00	OR D. 9.92x2.62 NBR SH. 70 112	1
13	36.0038.66	Sede valvola	1
14	90.3587.00	OR D. 11.11x1.78 NBR SH. 70 114	1
15	90.5066.00	Anello antiest. D. 11.4x14.0x1.5	1
16	36.0035.36	Corpo valvola	1

KIT NR.	KIT 51
Posizioni include Positions included	3 - 12 - 18 19 - 21 - 22 24
Nr. Pcs.	1



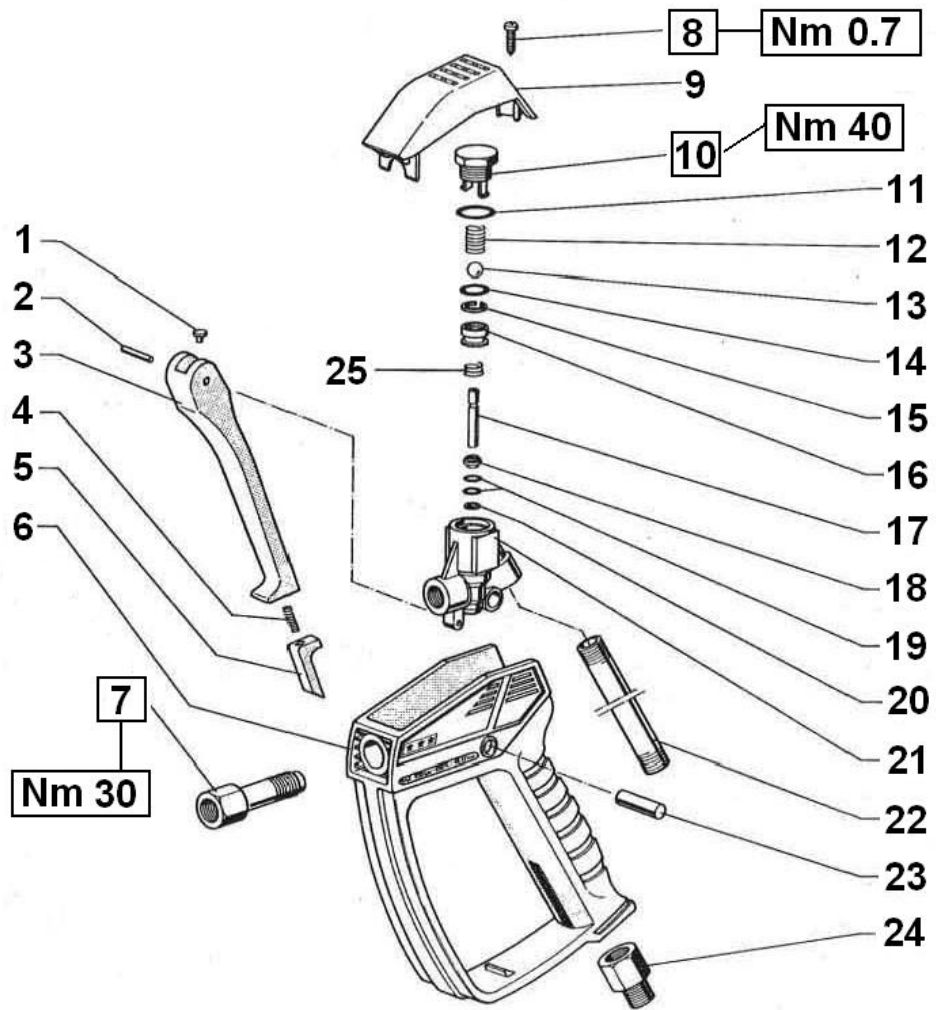
POS	COD.	DESCRIZIONE - DESCRIPTION KIT	NR
1	36.2596.41	Corpo valvola	1
2	92.2218.00	Dado M8x5x13 UNI 5589	1
3	90.3566.00	OR D. 2.9x1.78 NBR SH. 70 2021	1
4	92.2200.00	Dado M8x5x13 UNI 5589	1
5	36.2600.70	Vite di registro	1
6	99.3056.00	Vite M8x20 UNI	1
7	90.3825.00	OR D. 10.78x2.62 NBR SH. 70 3043	1
8	36.2601.70	Plattello molla	1
9	94.7396.00	Molla Dm. 11.2x36.0	1
10	36.2602.02	Assieme pistoncino	1
11	92.7707.00	Fascia elastica D. 22.0x19.55x1.5	2
12	36.2598.66	Inserto per sede valvola	1
13	90.3578.00	OR D. 7.66x1.78 NBR SH. 70 2031	1
14	90.3600.00	OR D. 21.95x1.78 NBR SH. 70 2087	1
15	36.2597.70	Sede valvola	1



POS	COD.	DESCRIZIONE - DESCRIPTION KIT	NR
1	36.2543.66	Sede valvola	1
2	90.3582.00	OR D. 9.25x1.78 NBR SH. 70 2037	1
3	36.2544.66	Inserto per sede valvola	1
4	36.2606.02	Assieme testina e sfera	1
5	36.2547.02	Assieme pistoncino	1
6	92.7722.00	Fascia elastica D. 27.0x24.55x1.5	2
7	90.3602.00	OR D. 23.52x1.78 NBR SH. 70 2093	1
8	94.8495.00	Molla a tazza D. 22.0x10.2x1.25	19
9	36.2548.70	Vite di regolazione	1
10	36.2542.70	Corpo valvola di sicurezza	1
11	92.2638.00	Dado M18x27x6	1
12	97.6730.00	Spina D. 4.0x22 UNI 6873	1
13	36.2549.70	Dado	1

**PISTOLE AUTOMATICHE - AUTOMATIC GUNS
PISTOLETS AUTOMATIQUES - AUTOMATISCHE PISTOLEN
PISTOLAS AUTOMÁTICAS - AUTOMÁTICO PISTOLAS**

KIT NR.	KIT 116
Posizioni include Positions included	10 - 11 - 12 - 13 14 - 15 - 16
Nr. Pcs.	1

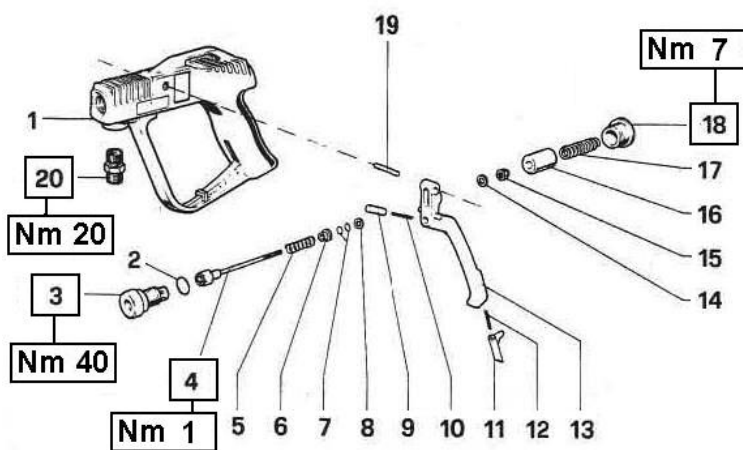


P3-P3X

DIS. COD. 18.9511.00

POS	COD.	DESCRIZIONE - DESCRIPTION KIT	NR
1	18.2082.64	Piattello di spinta	1
2	97.6143.00	Spina D. 4.0x20	1
3	18.2079.51	Leva	1
4	94.7303.00	Molla Dm. 2.8x21.0	1
5	18.2050.51	Nottolino per sicura	1
6	18.2080.51	Corpo pistola	1
7	18.2078.64	Nipplo G 1/4" F - P3	1
8	99.0845.00	Vite D. 3.5x16 UNI 7049	1
9	18.2081.51	Coperchio	1
10	18.2075.70	Tappo M18x1	116 1
11	90.3593.00	OR D. 15.6x1.78 NBR SH. 70 2062	116 1
12	94.7342.00	Molla Dm. 7.5x19.7	116 1
13	97.4810.00	Sfera D. 5/16"	116 1

POS	COD.	DESCRIZIONE - DESCRIPTION KIT	NR
14	90.3585.00	OR D. 10.82x1.78 NBR SH. 70 2043	116 1
15	90.5068.00	Anello antiest. D. 11.9x14.5x1.5	116 1
16	18.2074.66	Sede valvola	116 1
17	18.2076.66	Asta di comando	1
18	18.2077.70	Guida asta	1
19	90.3568.00	OR D. 3.69x1.78 NBR SH. 70 2015	2
20	90.5007.00	Anello antiest. D. 4.0x6.8x1.5	1
21	18.2073.41	Corpo otturatore	1
22	18.2083.89	Tubo G 1/4"x158	1
23	97.6200.00	Spina D. 8.5x34.0	1
24	95.2626.00 95.2665.00 ZINA 1/4" F	Nipplo G 3/8"xG 1/4" Nipplo G 1/2"xG 1/4" Nipplo 1/4" FxM22x1.5 - P3X	1
25	94.7351.00	Molla Dm. 8.2x28.0	1



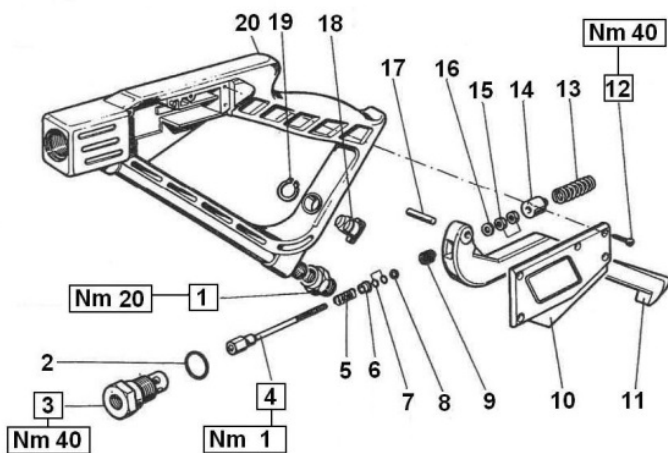
KIT NR.	KIT 52 (P11)	KIT 105 (P10)
Posizioni include Positions included	2 - 3 4 - 7 8	2 - 3 4 - 7 8
Nr. Pcs.	1+2	1+2

P10-P11

DIS. COD. 18.9507.00

POS	COD.	DESCRIZIONE - DESCRIPTION KIT	NR
1	18.2056.02	Corpo pistola	1
2	90.3841.00	OR D. 17.13x2.62 NBR 3068	52-105 1
3	18.2059.02	Sede valvola	52-105 1
4	18.2071.02 18.2044.02	Asta portavalvola - P10 Asta portavalvola - P11	105 52 1
5	94.7378.00	Molla Dm. 9.5x20.0	1
6	18.2042.70	Guida molla	1
7	90.3568.00	OR D. 3.69x1.78 NBR SH. 70 2015	52-105 2
8	90.5007.00	Anello antiest. D. 4.0x6.8x1.5	52-105 1
9	18.2053.70	Perno	1
10	94.7305.00	Molla Dm. 3.6x28.0	1

POS	COD.	DESCRIZIONE - DESCRIPTION KIT	NR
11	18.2050.51	Nottolino per sicura	1
12	94.7303.00	Molla Dm. 2.8x21.0	1
13	18.2048.51	Leva di comando	1
14	96.6840.00	Rosetta D. 4.25x13.0x2.5	1
15	92.1935.00	Dado M4x7x6 UNI 7473	1
16	18.2052.70	Guida molla	1
17	94.7414.00	Molla Dm. 13.0x44.5	1
18	98.2192.00 98.2190.00	Tappo M22x1.5x15 - P10 Tappo M22x1.5x15 - P11	1
19	97.6155.00	Spina D. 5.0x30	1
20	95.2840.00	Nipplo G 1/4"x28	1



KIT NR.	KIT 52
Posizioni include Positions included	2 - 3 4 - 7 8
Nr. Pcs.	1+2

PIMATIC

DIS. COD. 18.9506.00

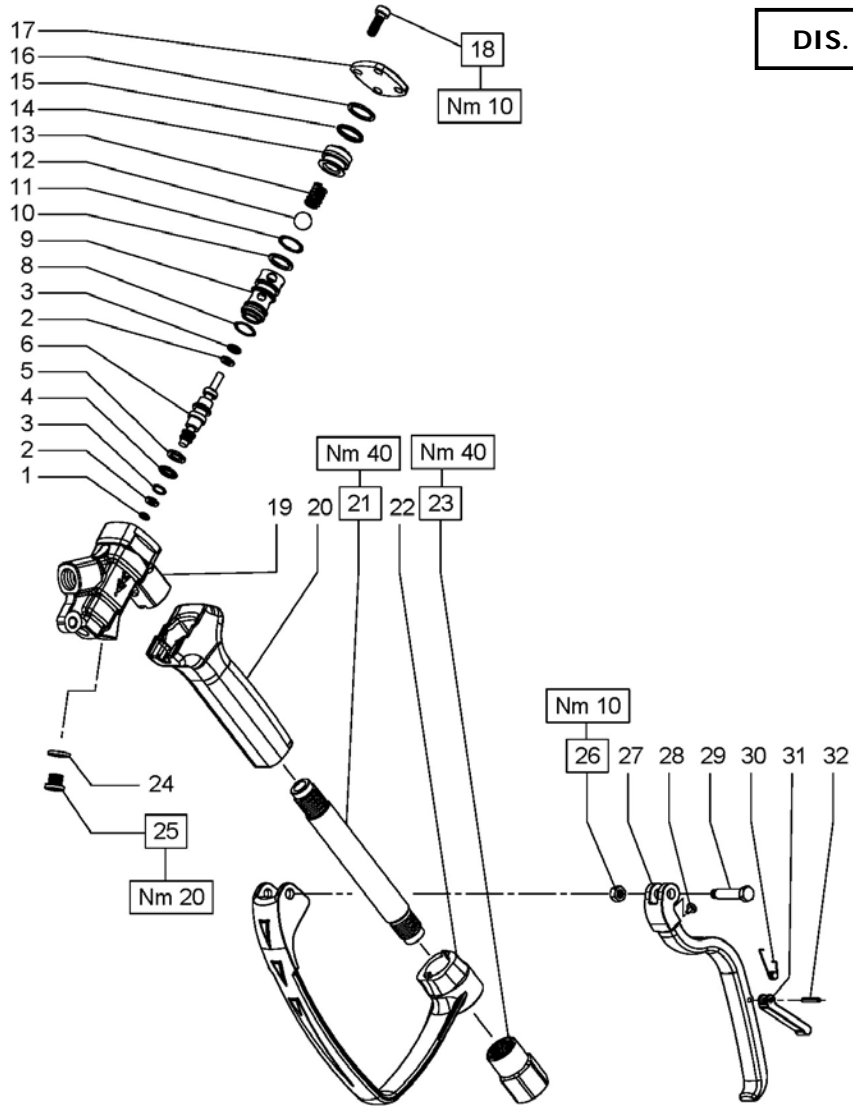
POS	COD.	DESCRIZIONE - DESCRIPTION KIT	NR
1	95.2626.00 95.2665.00	Nipplo G 3/8"xG 1/4" Nipplo G 1/2"xG 1/4"	1
2	90.3841.00	OR D. 17.13x2.62 NBR SH. 70 3068	52 1
3	18.2059.02	Sede valvola	52 1
4	18.2044.02	Asta portavalvola	52 1
5	94.7378.00	Molla Dm. 9.5x20.0	1
6	18.2042.70	Guida molla	1
7	90.3568.00	OR D. 3.69x1.78 NBR SH. 70 2015	52 2
8	90.5007.00	Anello antiest. D. 4.0x6.8x1.5	52 1
9	94.7383.00	Molla Dm. 9.75x10.0	1
10	18.2031.51	Coperchio per pistola	1

POS	COD.	DESCRIZIONE - DESCRIPTION KIT	NR
11	18.2032.51	Leva di comando	1
12	99.0656.00	Vite D. 2.9x16	5
13	94.7380.00	Molla Dm. 9.5x30.0	1
14	18.2038.70	Perno	1
15	92.1926.00	Dado M4x7x3.2	2
16	96.6860.00	Rosetta D. 4.5x11.0x2.0	1
17	97.6153.00	Spina cilindrica D. 5.0x25	1
18	18.2036.51	Nottolino per sicura	1
19	90.0569.00	Anello d'arresto A14	1
20	18.2030.02	Corpo pistola	1

PISTOLA PROFESSIONALE IN ACCIAIO - STAINLESS STEEL PROFESSIONAL GUN
PISTOLET PROFESSIONNEL EN ACIER INOX - PROFESSIONELLE EDELSTAHLPISTOLE
PISTOLA PROFESIONAL EN ACERO INOX - PISTOLA EM EMPRESAS DE AÇO INOX

DIS. COD. 18.9526.00

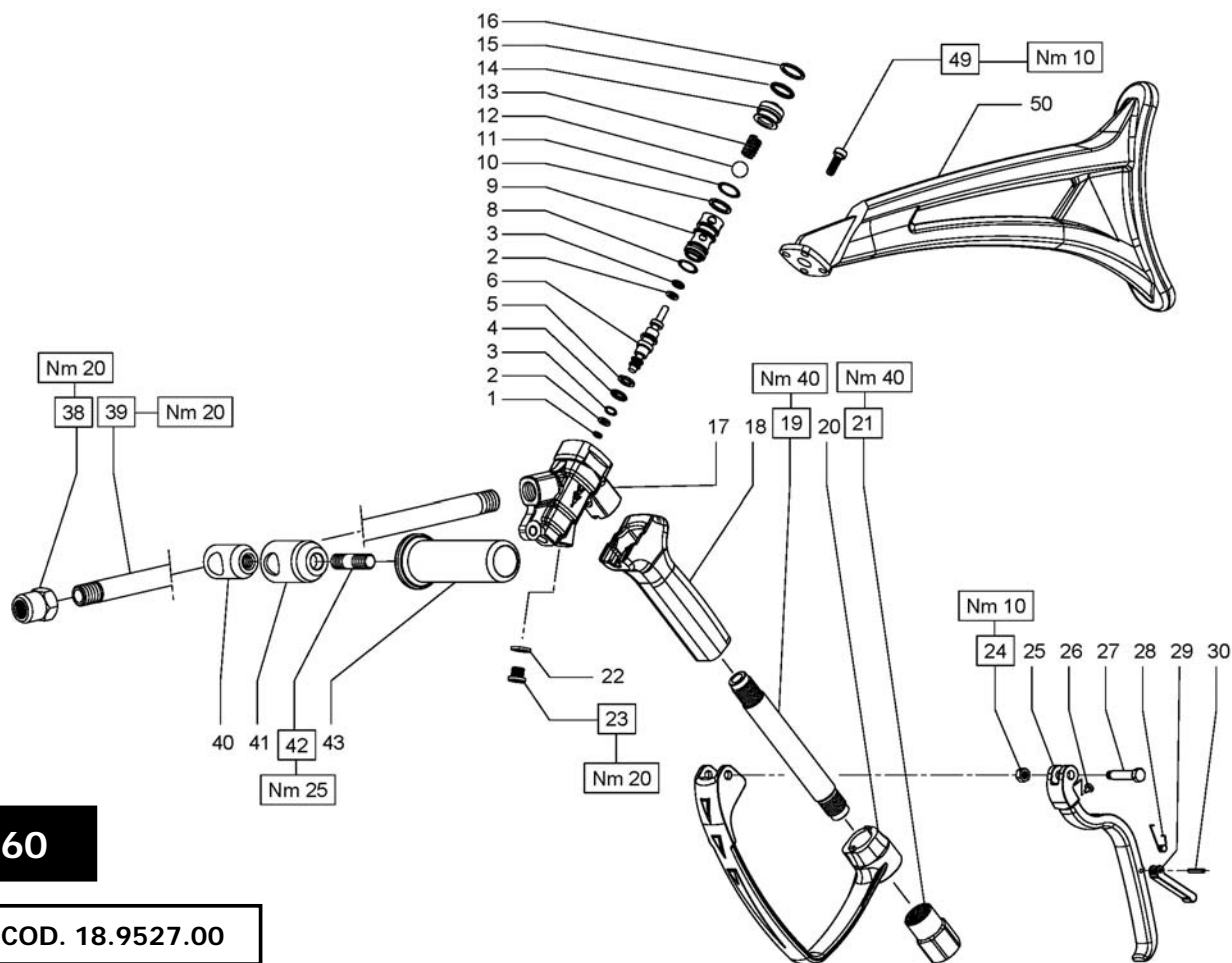
P560



POS	COD.	DESCRIZIONE - DESCRIPTION KIT	NR
1	90.3114.00	Anello D. 6.65x1.78	1
2	90.5018.00	Anello antiest. D. 5.7x10.1x1.5	2
3	90.3813.00	OR D. 5.23x2.62 NBR SH. 70 3021	2
4	90.3821.00	OR D. 9.19x2.62 NBR SH. 70 3037	1
5	90.5051.00	Anello antiest. D. 9.5x13.9x1.5	1
6	18.2116.66	Spillo di comando	1
8	90.3676.00	OR D. 13.00x2.00 NBR SH. 70	1
9	18.2133.66	Sede sfera	1
10	90.5084.00	Anello antiest. D. 14.7x18.9x1.5	1
11	90.3833.00	OR D. 13.92x2.62 NBR SH. 70 3056	1
12	97.4850.00	Sfera D. 1/2"	1
13	94.7377.00	Molla Dm. 9.5x17.7	1
14	18.2132.66	Tappo	1
15	90.3837.00	OR D. 15.54x2.62 NBR SH. 70 3062	1
16	90.5095.00	Anello antiest. D. 17.0x20.9x1.5	1

POS	COD.	DESCRIZIONE - DESCRIPTION KIT	NR
17	18.2113.36	Piastrina di chiusura	1
18	99.1852.00	Vite M6x16 UNI 5931	4
19	18.2112.36	Corpo	1
20	18.2119.02	Impugnatura completa	1
21	18.2118.91	Tubo	1
22	18.2123.22	Protezione	1
23	18.2114.66	Raccordo di entrata G 1/2"	1
24	93.1780.00	Rondella con tenuta G 1/8"	1
25	98.1970.00	Tappo G 1/8"x8	1
26	92.2024.00	Dado M6 UNI 5588	1
27	18.2121.22	Leva di comando	1
28	18.2082.64	Piattello di spinta	1
29	18.2124.64	Perno	1
30	94.8705.00	Molla di torsione	1
31	18.2122.22	Leva di sicurezza	1
32	97.6664.00	Spina elastica D. 3.0x18.0	1

PISTOLA PROFESSIONALE IN ACCIAIO - STAINLESS STEEL PROFESSIONAL GUN
PISTOLET PROFESSIONNEL EN ACIER INOX - PROFESSIONELLE EDELSTAHLPISTOLE
PISTOLA PROFESIONAL EN ACERO INOX - PISTOLA EM EMPRESAS DE AÇO INOX



P560

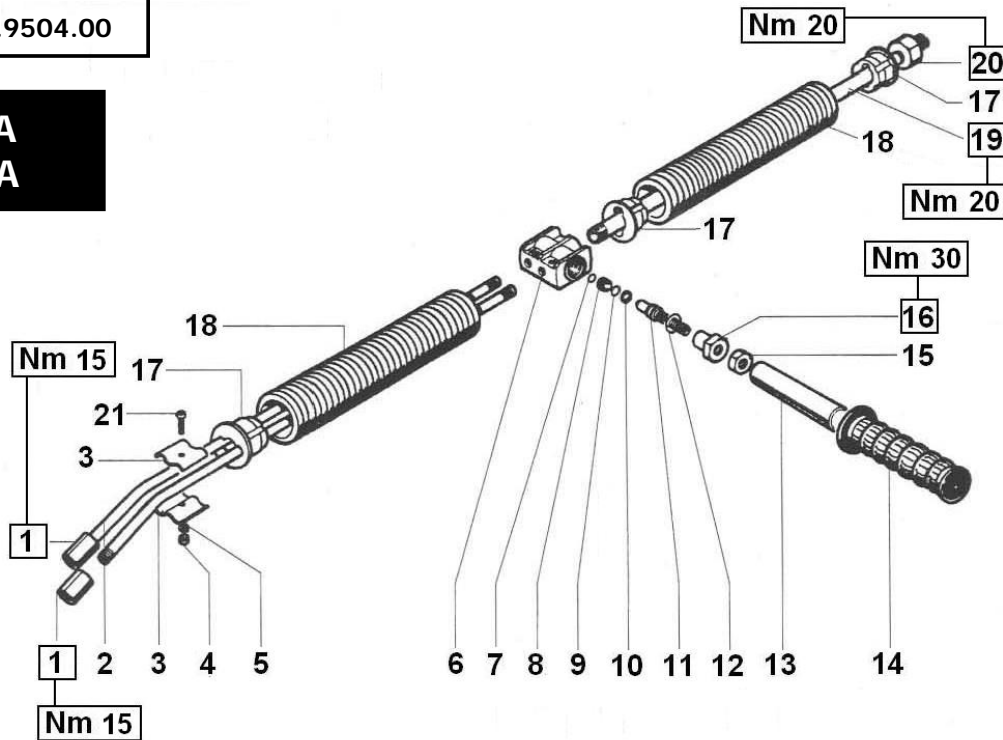
DIS. COD. 18.9527.00

POS	COD.	DESCRIZIONE - DESCRIPTION KIT	NR
1	90.3114.00	Anello D. 6.65x1.78	1
2	90.5018.00	Anello antiest. D. 5.7x10.1x1.5	2
3	90.3813.00	OR D. 5.23x2.62 NBR SH. 70 3021	2
4	90.3821.00	OR D. 9.19x2.62 NBR SH. 70 3037	1
5	90.5051.00	Anello antiest. D. 9.5x13.9x1.5	1
6	18.2116.66	Spillo di comando	1
8	90.3676.00	OR D. 13.00x2.00 NBR SH. 70	1
9	18.2133.66	Sede sfera	1
10	90.5084.00	Anello antiest. D. 14.7x18.9x1.5	1
11	90.3833.00	OR D. 13.92x2.62 NBR SH. 70 3056	1
12	97.4850.00	Sfera D. 1/2"	1
13	94.7377.00	Molla Dm. 9.5x17.7	1
14	18.2132.66	Tappo	1
15	90.3837.00	OR D. 15.54x2.62 NBR SH. 70 3062	1
16	90.5095.00	Anello antiest. D. 17.0x20.9x1.5	1
17	18.2112.36	Corpo	1
18	18.2119.02	Impugnatura completa	1
19	18.2118.91	Tubo	1
20	18.2123.22	Protezione	1

POS	COD.	DESCRIZIONE - DESCRIPTION KIT	NR
21	18.2114.66	Raccordo di entrata G 1/2"	1
22	93.1780.00	Rondella con tenuta G 1/8"	1
23	98.1970.00	Tappo G 1/8"x8	1
24	92.2024.00	Dado M6 UNI 5588	1
25	18.2121.22	Leva di comando	1
26	18.2082.64	Piattello di spinta	1
27	18.2124.64	Perno	1
28	94.8705.00	Molla di torsione	1
29	18.2122.22	Leva di sicurezza	1
30	97.6664.00	Spina elastica D. 3.0x18.0	1
38	10.0639.66 10.0640.66	Nipplo G 1/4" Nipplo G 1/4" NPT	1
39	10.0650.91 10.0642.91	Tubo G 3/8" L.750 Tubo G 3/8" L.1000	1
40	10.0638.71	Bussola bloccaggio impugnatura	1
41	10.0637.71	Sostegno impugnatura	1
42	95.8300.00	Prigioniero M12x25 UNI 5931	1
43	10.0636.71	Impugnatura mobile	1
49	99.1852.00	Vite M6x16 UNI 5931	4
50	18.2127.02	Spalliera	1

DIS. COD. 18.9504.00

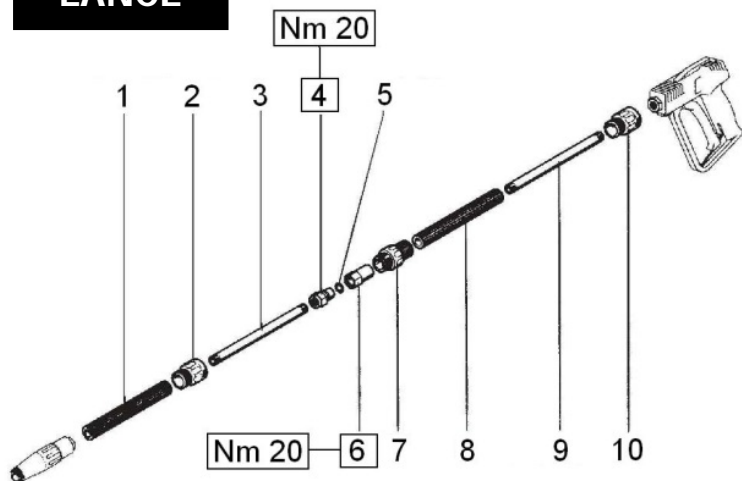
LANCIA DOPPIA



POS	COD.	DESCRIZIONE - DESCRIPTION KIT	NR
1	94.4812.00 94.5130.00	Manicotto G 1/8"x30 Manicotto G 1/4"x G 1/8"	2
2	18.0072.89	Tubo G 1/8"	2
3	18.0081.34	Piastrina	4
4	92.1975.00	Dado M5x8x4 UNI 5588	2
5	96.6880.00	Rosetta D. 5.0x11.0x1.0	2
6	10.0071.41	Corpo	1
7	90.3575.00	OR D. 6.75x1,78 NBR SH. 70 106	1
8	10.0085.66	Sede valvola	1
9	90.3577.00	OR D. 7.66x1.78 NBR SH. 70 2031	1
10	90.5033.00	Anello antiest. D. 8.0x11.0x1.5	1

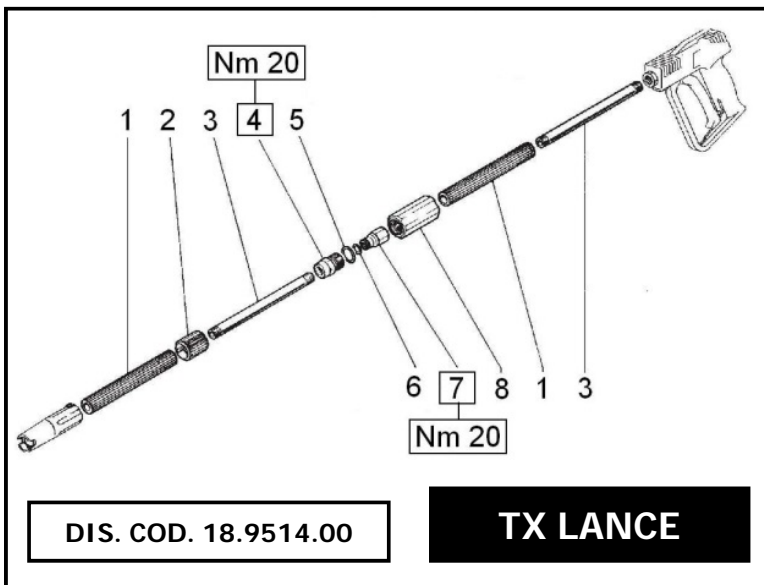
POS	COD.	DESCRIZIONE - DESCRIPTION KIT	NR
11	10.0073.66	Otturatore	1
12	90.3835.00	OR D. 15.08x2.62 NBR SH. 70 119	1
13	10.0079.61	Impugnatura	1
14	94.5570.00	Manopola	1
15	92.2375.00	Dado M10x8x17 UNI 5588	1
16	10.0072.70	Nipplo	1
17	18.0082.51	Distanziale	4
18	18.0079.51	Soffietto	2
19	18.2033.89	Tubo G 1/4"	1
20	94.4832.00	Manicotto G 1/4"x25	1
21	99.1567.00	Vite M5x16 UNI 5931	2

QUICK LANCE

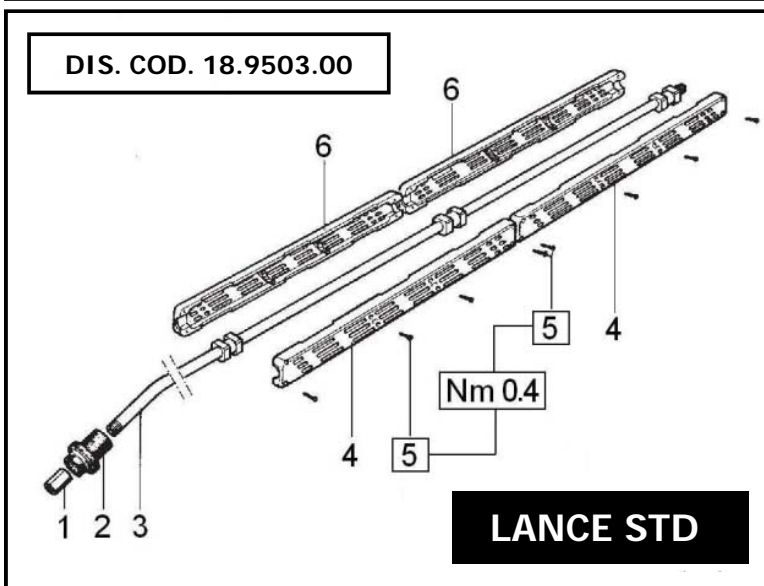


DIS. COD. 18.9500.00

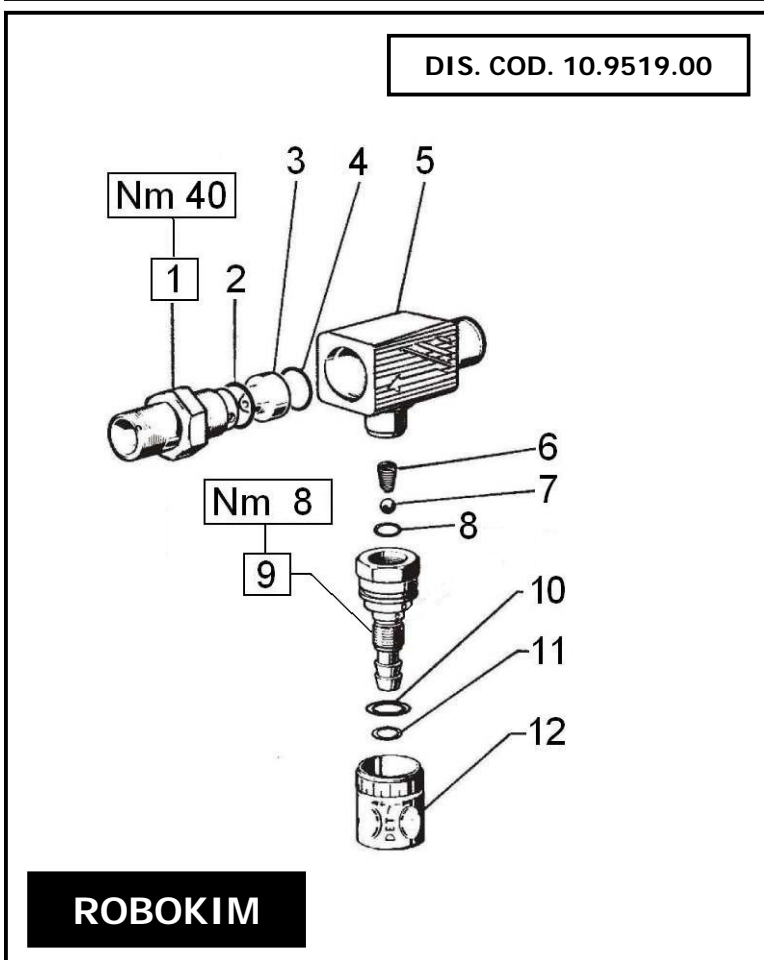
POS	COD.	DESCRIZIONE - DESCRIPTION KIT	NR
1	18.0106.98 18.0108.98 18.0109.98	Protezione tubo - Quick 2 Protezione tubo - Quick 5 Protezione tubo - Quick 7	1
2	10.0295.51	Ghiera di fermo	1
3	18.2033.89 18.0110.89 18.0111.89	Tubo G 1/4" - Quick 2 Tubo G 1/4" - Quick 5 Tubo G 1/4" - Quick 7	1
4	10.0297.70	Innesto maschio	1
5	90.3820.00	OR D. 9.13x2.62 NBR SH. 70 109	1
6	10.0298.70	Innesto femmina	1
7	10.0296.51	Manicotto per innesto	1
8	18.0104.98	Impugnatura	1
9	18.2033.89	Tubo G 1/4"	1
10	10.0294.51	Manicotto di protezione	1



POS	COD.	DESCRIZIONE - DESCRIPTION KIT	NR
1	18.0126.98	Impugnatura	2
2	10.0542.51	Protezione	1
3	18.0127.89	Tubo G 1/4"	2
4	10.0120.70	Innesto femmina	1
5	90.3845.00	OR D. 18.72x2.62 NBR SH. 70 3075	1
6	90.3820.00	OR D. 9.13x2.62 NBR SH. 70 109	1
7	10.0534.70	Innesto maschio	1
8	10.0532.02	Manopola	1



POS	COD.	DESCRIZIONE - DESCRIPTION KIT	NR
1	94.4834.00 94.5130.00	Manicotto G 1/4"x30 Manicotto G 1/4"x G 1/8"	1
2	18.0027.51	Protezione ugello	1
3	18.0066.02 18.0067.02 18.0068.02 18.0069.02 18.0070.02 18.0071.02	Tubo lancia - Z7 Tubo lancia - Z9 Tubo lancia - Z12 Tubo lancia - Z15 Tubo lancia - Z17 Tubo lancia - Z20	1
4	18.0064.51	Semiguscio destro	1÷2
5	99.0654.00	Vite	8÷16
6	18.0065.51	Semiguscio sinistro	1÷2

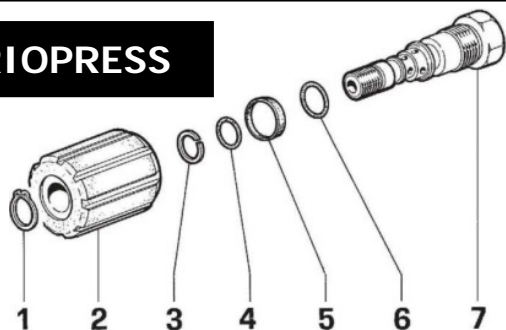


POS	COD.	DESCRIZIONE - DESCRIPTION KIT	NR
1	10.0078.70 10.0160.70	Nipplo G 3/8" con foro D. 3.00 Nipplo G 3/8" con foro D. 3.25	1
2	90.3832.00	OR D. 13.95x2.62 NBR SH. 70 3056	1
3	***	Vedere tabella A - See tabella A	-
4	90.3822.00	OR D. 9.92x2.62 NBR SH. 70 112	1
5	10.0389.41	Corpo iniettore	1
6	94.8217.00	Molla conica D. 4.3/7.3x11.0	1
7	97.4782.00	Sfera D. 7/32"	1
8	90.3572.00	OR D. 5.28x1.78 NBR SH. 70 2021	1
9	10.0388.70	Sede valvola iniettore e otturatore	1
10	90.3593.00	OR D. 15.6x1.78 NBR SH. 70 2062	1
11	90.3580.00	OR D. 8.73x1.78 NBR SH. 70 108	1
12	10.0387.51	Pomolo di regolazione	1

*** TABELLA A - TABLE A

MODEL	POS	COD.	DESCRIZIONE - DESCRIPTION	NR
0	3	10.0151.66	Ugello D. 2.00 (8÷11 l/min.)	1
1	3	10.0076.66	Ugello D. 2.20 (12÷15 l/min.)	1
2	3	10.0077.66	Ugello D. 2.50 (16÷21 l/min.)	1
3	3	10.0162.66	Ugello D. 2.75 (25÷41 l/min.)	1

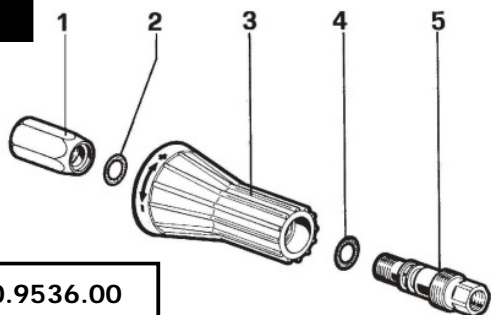
VARIOPRESS



DIS. COD. 10.9527.00

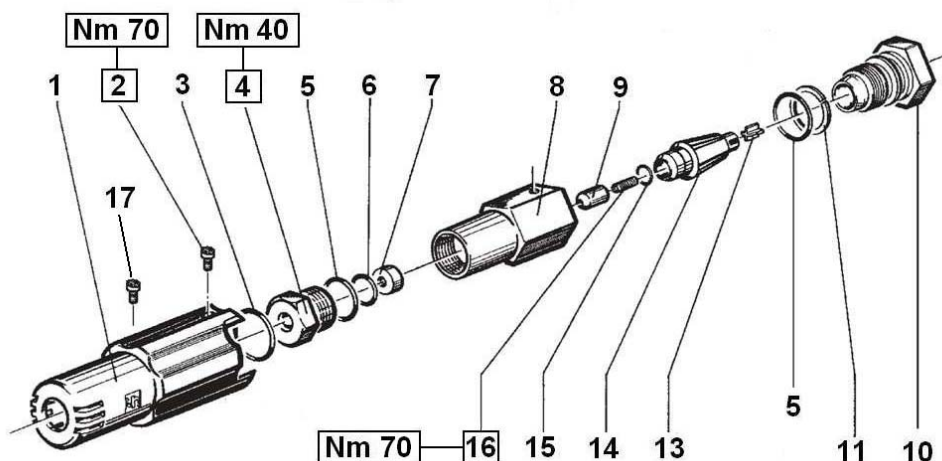
POS	COD.	DESCRIZIONE - DESCRIPTION KIT	NR
1	90.0562.00	Anello d'arresto A13 UNI 7435	1
2	10.0490.02	Pomolo di regolazione pressione	1
3	90.5067.00	Anello antiest. D. 11.0x14.0x1.5	1
4	90.3585.00	OR D. 10.82x1.78 NBR SH. 70 2043	1
5	90.2680.00	Anello ten. alt. D. 18	1
6	90.3827.00	OR D. 11.91x2.62 NBR SH. 70 115	1
7	10.0489.70	Niplo distributore reg. pressione	1

ZUREG 3



DIS. COD. 10.9536.00

POS	COD.	DESCRIZIONE - DESCRIPTION KIT	NR
1	10.0550.70	Testina G 1/4"	1
2	90.3827.00	OR D. 11.91x2.62 NBR SH. 70 115	1
3	10.0551.02	Manopola	1
4	90.3825.00	OR D. 10.78x2.62 NBR SH. 70 3043	1
5	10.0552.70	Niplo	1



ROTOMAX

DIS. COD. 10.9544.00

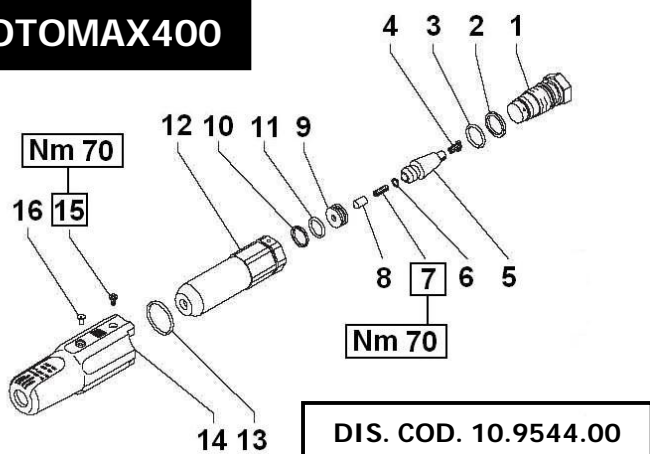
POS	COD.	DESCRIZIONE - DESCRIPTION KIT	NR
1	10.0449.51	Manopola	1
2	99.0702.00	Vite M3x4 UNI 7687	1
3	90.3847.00	OR D. 20.42x2.62 NBR SH. 70 3081	1
4	10.0450.70	Tappo M18x1	1
5	90.3835.00	OR D. 15.08x2.62 NBR SH. 70 119	2
6	90.3585.00	OR D. 10.82x1.78 NBR SH. 70 2043	1
7	10.0455.09	Sede	1
8	10.0451.70	Corpo	1
9	10.0456.09	Testina	1
10	***	Vedere tabella A - See table A	-
11	90.5090.00	Anello antiest. D. 15.8x20.0x1.3	1
13	10.0453.51	Guida flusso	1
14	10.0564.02	Assieme rotore	1
15	90.3574.00	OR D. 6.07x1.78 NBR SH. 70 2025	1

POS	COD.	DESCRIZIONE - DESCRIPTION KIT	NR
16	***	Vedere tabella A - See table A	-
17	***	Vedere tabella A - See table A	-

*** TABELLA A - TABLE A

MODEL	POS	COD.	DESCRIZIONE - DESCRIPTION	NR
1	10	10.0472.70	Niplo convogliatore D. 1.4	1
	16	98.6674.00	Ugello 140 - Rosso	1
	17	98.1905.00	Tappo D. 3 - Rosso	1
2	10	10.0454.70	Niplo convogliatore D. 1.6	1
	16	98.6725.00	Ugello 150 - Azzurro	1
	17	98.1907.00	Tappo D. 3 - Azzurro	1
3	10	10.0471.70	Niplo convogliatore D. 2.0	1
	16	98.6780.00	Ugello 160 - Nero	1
	17	98.1909.00	Tappo D. 3 - Nero	1

ROTOMAX400

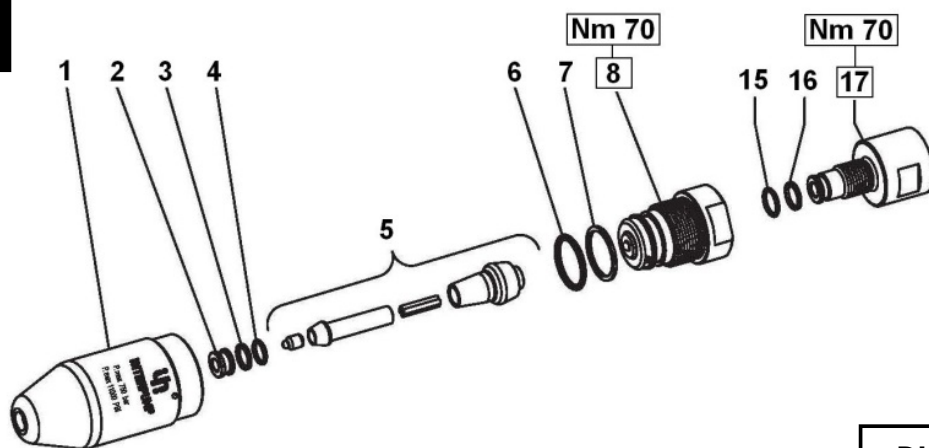


*** TABELLA A - TABLE A

MODEL	POS	COD.	DESCRIZIONE - DESCRIPTION	NR
401	1	10.0605.70	Nipplo convogliatore D. 1.40	1
	7	98.6674.00	Ugello 140 - Rosso	1
	16	98.1905.00	Tappo D. 3 - Rosso	1
403	1	10.0609.70	Nipplo convogliatore D. 2.10	1
	7	98.6780.00	Ugello 160 - Nero	1
	16	98.1909.00	Tappo D. 3 - Nero	1

POS	COD.	DESCRIZIONE - DESCRIPTION KIT	NR
1	***	Vedere tabella A - See table A	-
2	90.5085.00	Anello antiest. D. 15.3x17.9x1.5	1
3	90.3591.00	OR D. 14x1.78 NBR SH. 70 2056	1
4	10.0453.51	Guida flusso	1
5	10.0564.02	Assieme rotore	1
6	90.3574.00	OR D. 6.07x1.78 NBR SH. 70 2025	1
7	***	Vedere tabella A - See table A	-
8	10.0456.09	Testina	1
9	10.0606.02	Assieme sede completa	1
10	90.5075.00	Anello antiest. D. 13.0x16.0x1.5	1
11	90.3589.00	OR D. 12.42x1.78 NBR SH. 70 2050	1
12	10.0604.70	Corpo	1
13	90.3602.00	OR D. 23.52x1.78 NBR SH. 70 2093	1
14	10.0602.51	Manopola	1
15	99.0702.00	Vite M3x4 UNI 7687	1
16	***	Vedere tabella A - See table A	-

RMAX750

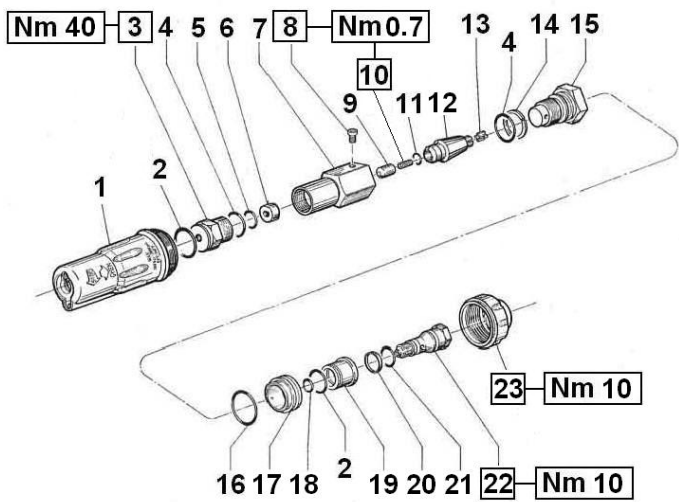


DIS. COD. 10.9547.00

POS	COD.	DESCRIZIONE - DESCRIPTION KIT	NR
1	10.0623.66	Corpo ugello rotante	1
2	10.0630.11	Sede	1
3	90.5061.00	Anello antiest. D. 10.4x13.0x1.5	1
4	90.3582.00	OR D. 9.25x1.78 NBR SH. 70 2037	1
5	***	Vedere tabella A - See table A	1
6	90.3855.00	OR D. 23.47x2.62 NBR SH. 70 3093	1
7	90.5155.00	Anello antiest. D. 23.9x28.0x2.0	1
8	***	Vedere tabella A - See table A	1
15	90.3587.00	OR D. 11.11x1.78 NBR SH. 70 114	1
16	90.5066.00	Anello antiest. D. 11.4x14.0x1.5	1
17	10.0646.66 10.0625.66 10.0647.66 10.0700.56	Nipplo M-F G 3/8" - G 3/8" Nipplo M-F G 3/8" - G 1/2" Nipplo M-F G 3/8" - Rc 3/8" Nipplo M-F G 3/8" - M18x1.5	1

*** TABELLA A - TABLE A

MODEL	POS	COD.	DESCRIZIONE - DESCRIPTION	NR
N	5	10.7395.01	Assieme rotante N (Ugello D. 1.55)	1
	8	10.0628.66	Nipplo convogl. N (4 fori - D. 2.75)	1
J	5	10.7396.01	Assieme rotante J (Ugello D. 1.35)	1
	8	10.0626.66	Nipplo convogl. J (4 fori - D. 2.00)	1
G	5	10.7397.01	Assieme rotante G (Ugello D. 1.10)	1
	8	10.0627.66	Nipplo convogl. G (2 fori - D. 1.40)	1
R	5	10.7400.01	Assieme rotante R (Ugello D. 1.80)	1
	8	10.0648.66	Nipplo convogl. R (4 fori - D. 3.50)	1



DIS. COD. 10.9545.00

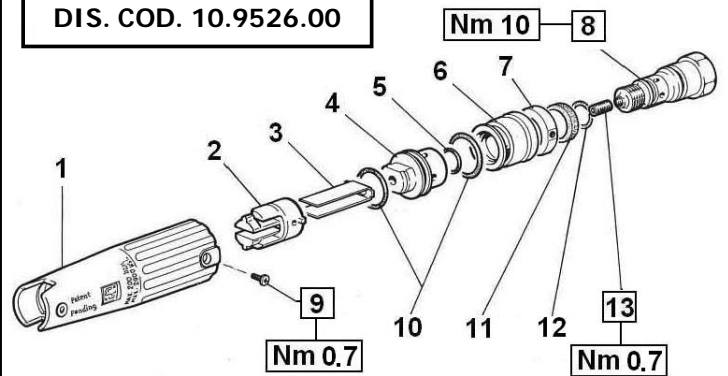
ROTOTEK

*** TABELLA A - TABLE A

MODEL	POS	COD.	DESCRIZIONE - DESCRIPTION	NR
135	10	98.6632.00	Ugello 135 - Blu	1
	15	10.0472.70	Convogliatore D. 1.4	1
140	10	98.6674.00	Ugello 140 - Rosso	1
	15	10.0472.70	Convogliatore D. 1.4	1
145	10	98.6690.00	Ugello 145 - Giallo	1
	15	10.0472.70	Convogliatore D. 1.4	1
150	10	98.6725.00	Ugello 150 - Azzurro	1
	15	10.0454.70	Convogliatore D. 1.6	1
155	10	98.6756.00	Ugello 155 - Bianco	1
	15	10.0471.70	Convogliatore D. 2.0	1
160	10	98.6780.00	Ugello 160 - Nero	1
	15	10.0471.70	Convogliatore D. 2.0	1
175	10	98.6935.00	Ugello 175 - Neutro	1
	15	10.0471.70	Convogliatore D. 2.0	1

POS	COD.	DESCRIZIONE - DESCRIPTION KIT	NR
1	10.0568.51	Manopola	1
2	90.3845.00	OR D. 18.72x2.62 NBR SH. 70 3075	2
3	10.0450.70	Tappo M18x1	1
4	90.3835.00	OR D. 15.08x2.62 NBR SH. 70 119	2
5	90.3585.00	OR D. 10.82x1.78 NBR SH. 70 2043	1
6	10.0455.09	Sede	1
7	10.0451.70	Corpo	1
8	99.0702.00	Vite M3x4 UNI 7687	1
9	10.0456.09	Testina	1
10	***	Vedere tabella A - See table A	-
11	90.3574.00	OR D. 6.07x1.78 NBR SH. 70 2025	1
12	10.0564.02	Assieme rotore	1
13	10.0453.51	Guida flusso	1
14	90.5090.00	Anello antiest. D. 15.8x20.0x1.3	1
15	***	Vedere tabella A - See table A	-
16	90.3867.00	OR D. 31.42x2.62 NBR SH. 70 3125	1
17	10.0567.51	Cilindro adattatore	1
18	90.3819.00	OR D. 9.13x2.62 NBR SH. 70 109	1
19	10.0485.70	Cilindro distributore	1
20	90.2680.00	Anello ten. alt. D. 18	1
21	90.3828.00	Or D. 12.37x2.62 NBR SH. 70 3050	1
22	10.0484.70	Nipplo distributore	1
23	10.0566.51	Ghiera di fermo	1

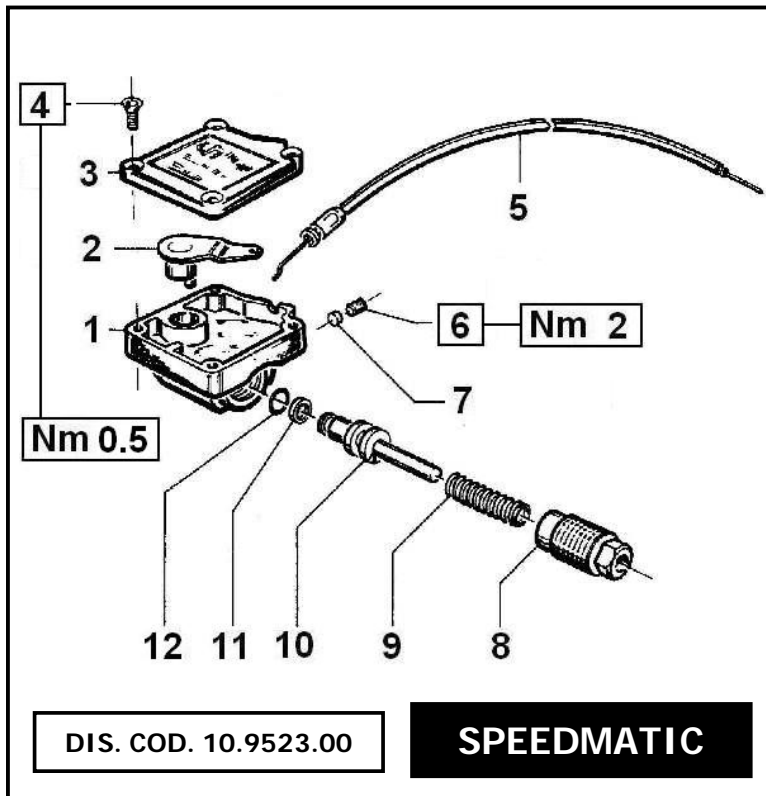
DIS. COD. 10.9526.00



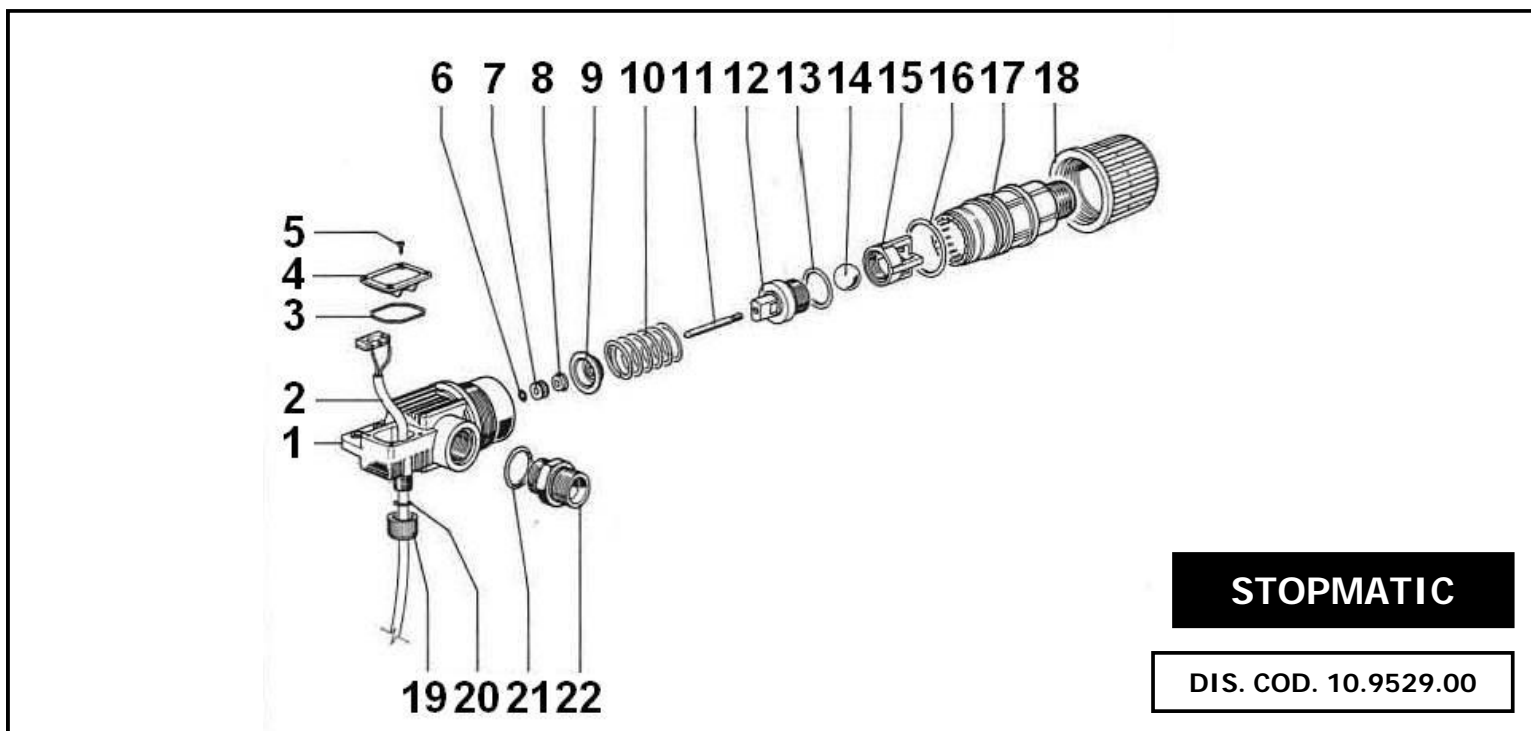
MULTIREG 99

POS	COD.	DESCRIZIONE - DESCRIPTION KIT	NR
1	10.0483.51	Manopola	1
2	10.0299.51	Pinza	1
3	10.0304.76	Lame di guida	1
4	10.0486.70	Testina portalamme	1
5	90.3819.00	OR D. 9.13x2.62 NBR SH. 70 109	1
6	10.0485.70	Cilindro distributore	1
7	10.0496.70	Anello	1
8	10.0484.70	Nipplo distributore	1
9	99.0702.00	Vite M3x4 UNI 7687	2
10	90.3845.00	OR D. 18.72x2.62 NBR SH. 70 3075	2

POS	COD.	DESCRIZIONE - DESCRIPTION KIT	NR
11	90.2680.00	Anello ten. alt. D. 18	1
12	90.3828.00	OR D. 12.37x2.62 NBR SH. 70 3050	1
13	98.6610.00	Ugello 125 - Beige	1
	98.6615.00	Ugello 130 - Arancione	
	98.6632.00	Ugello 135 - Blu	
	98.6674.00	Ugello 140 - Rosso	
	98.6690.00	Ugello 145 - Giallo	
	98.6725.00	Ugello 150 - Azzurro	
	98.6756.00	Ugello 155 - Bianco	
	98.6780.00	Ugello 160 - Nero	
	98.6820.00	Ugello 165 - Viola	
	98.6915.00	Ugello 170 - Marrone	
98.6935.00	Ugello 175 - Neutro		
98.6963.00	Ugello 180 - Verde		

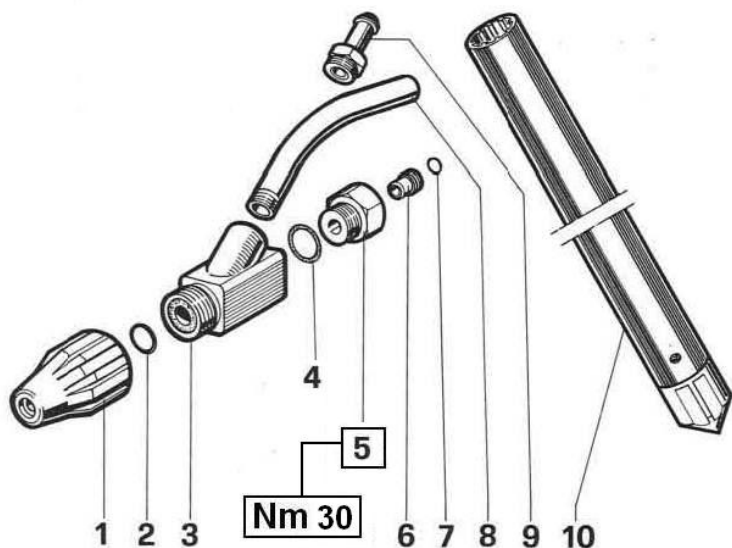


POS	COD.	DESCRIZIONE - DESCRIPTION KIT	NR
1	10.0440.41	Corpo comando acceleratore	1
2	10.0445.02	Leva	1
3	10.0441.51	Coperchio comando acceleratore	1
4	99.1272.00	Vite M4x12 UNI 7688	4
5	10.0446.01	Cavo acceleratore	1
6	99.1507.00	Vite M5x6 UNI 5923	1
7	10.0192.62	Pastiglia frenafilletti	1
8	10.0447.70	Vite di registro	1
9	94.7346.00	Molla Dm. 7.7x37.0	1
10	10.0442.70	Pistoncino di comando	1
11	90.5025.00	Anello antiest. D. 7.0x10.0x1.5	1
12	90.3576.00	OR D. 6.75x1.78 NBR SH. 70 106	1



POS	COD.	DESCRIZIONE - DESCRIPTION KIT	NR
1	10.0476.51	Corpo	1
2	10.7235.02	Microinterruttore e cavo	1
3	90.3602.00	OR D. 23.52x1.78 NBR SH. 70 2093	1
4	10.0503.51	Coperchio	1
5	99.0344.00	Vite D. 2.2x9.5	4
6	90.3568.00	OR D. 3.69x1.78 NBR SH. 70 2015	1
7	10.0481.70	Distanziale	1
8	90.2508.00	Anello di tenuta D. 4x10x4	1
9	10.0480.70	Piattello molla	1
10	94.7513.00	Molla Dm. 21.5x44.0	1
11	10.0479.73	Asta	1

POS	COD.	DESCRIZIONE - DESCRIPTION KIT	NR
12	10.0478.70	Pistoncino di comando	1
13	90.4039.00	OR D. 18.64x3.53 NBR SH. 70 4075	1
14	97.4886.00	Sfera D. 16	1
15	10.0475.51	Guida valvola	1
16	90.4053.00	OR D. 28.17x3.53 NBR SH. 70 4112	1
17	10.0545.01	Assieme cilindro	1
18	10.0474.51	Ghiera	1
19	92.9740.00	Galletto M14x1.5	1
20	90.3814.00	OR D. 5.23x2.62 NBR SH. 70 3021	1
21	90.3841.00	OR D. 17.13x2.62 NBR SH. 70 3068	1
22	95.2969.00	Niplo G 1/2"x37	1

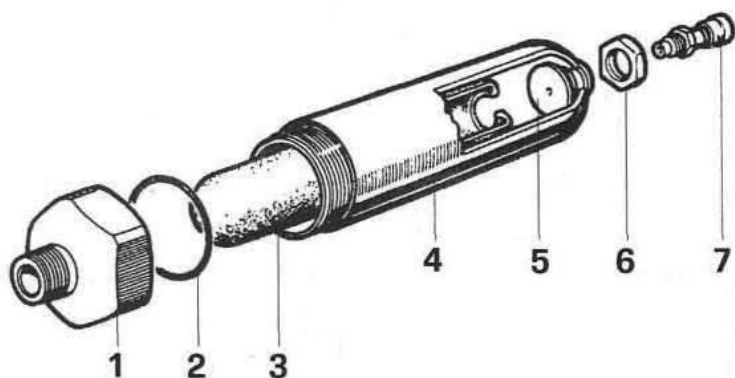


TESTINA SABBIANTE

DIS. COD. 10.9504.00

POS	COD.	DESCRIZIONE - DESCRIPTION KIT	NR
1	10.7050.01	Assieme ghiera e ugello sabbiatore	1
2	90.3828.00	OR D. 12.37x2.62 NBR SH. 70 3050	1
3	10.7062.01	Corpo sabbiatore	1
4	90.3593.00	OR D. 15.6x1.78 NBR SH. 70 2062	1
5	10.0129.70	Nipplo porta-ugello	1
6	10.0141.66 10.0133.66 10.0134.66 10.0135.66 10.0140.66 10.0330.66	Ugello D. 1.50 - Testina 0 Ugello D. 1.60 - Testina 1 Ugello D. 1.70 - Testina 2 Ugello D. 1.85 - Testina 3 Ugello D. 2.10 - Testina 4 Ugello D. 2.30 - Testina 5	1
7	90.3576.00	OR D. 6.75x1.78 NBR SH. 70 106	1
8	10.0137.89	Tubo portagomma	1
9	96.3295.00	Raccordo diritto D. 14xG 1/4"x32	1
10	ZTESOND	Tubo aspirazione sabbia	1

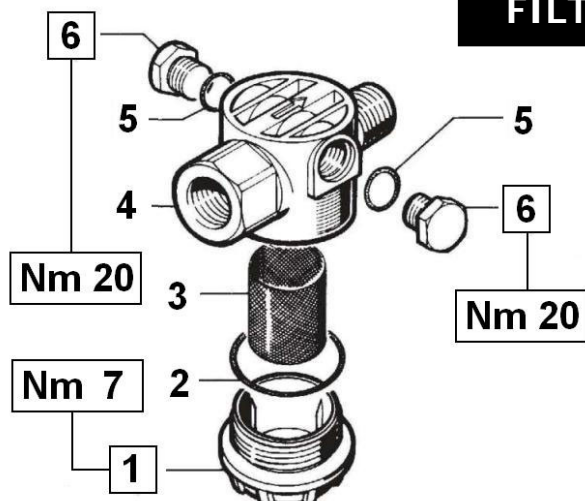
DIS. COD. 75.9500.00



ACCUMULATORE

POS	COD.	DESCRIZIONE - DESCRIPTION KIT	NR
1	75.1901.64	Accumulatore inferiore	1
2	90.4077.00	OR D. 44.45x3.53 NBR SH. 70 149	1
3	75.1700.47	Membrana accumulatore	1
4	75.1800.89	Accumulatore superiore	1
5	75.2105.70	Vite fissaggio membrana	1
6	92.2562.00	Dado M16x1.5	1
7	98.8650.00	Valvola aria G 1/8"x11.5	1

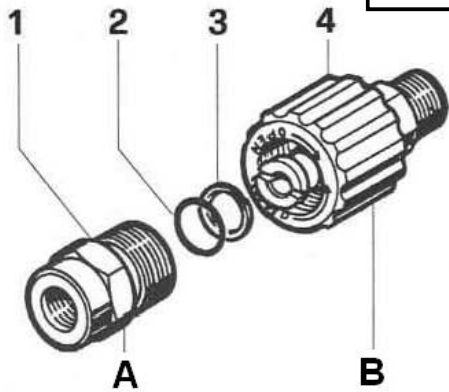
FILTRO



DIS. COD. 10.9506.00

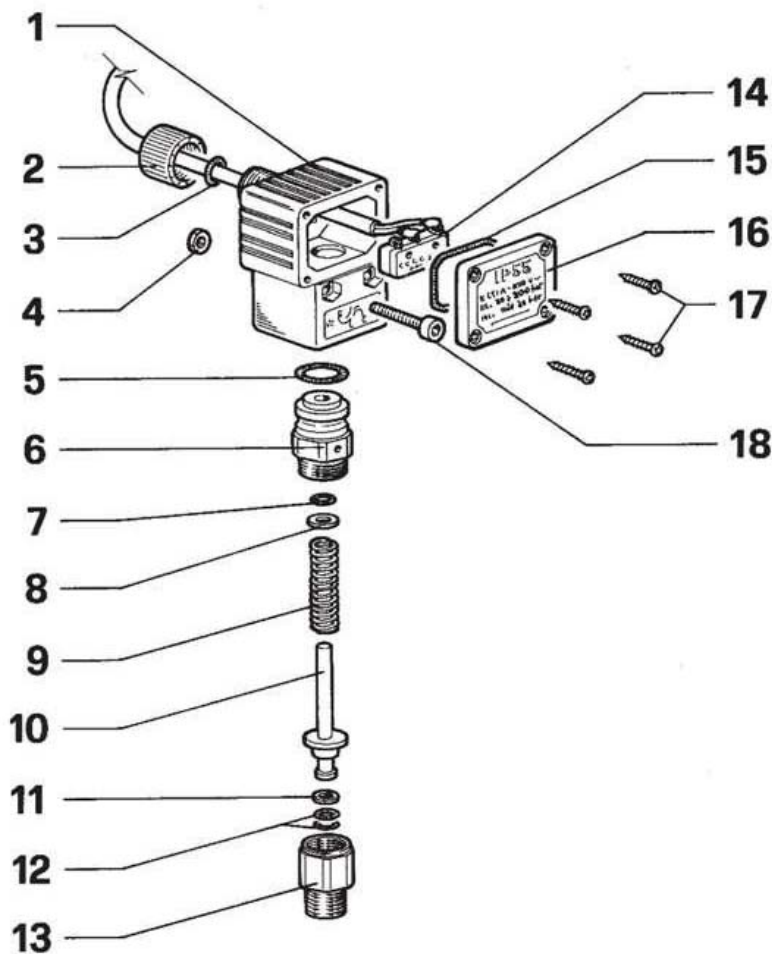
POS	COD.	DESCRIZIONE - DESCRIPTION KIT	NR
1	10.0166.51	Tappo M40x2	1
2	90.3871.00	OR D. 34.6x2.62 NBR SH. 70 3137	1
3	10.0167.76	Rete filtro	1
4	10.0165.22	Corpo filtro	1
5	90.3585.00	OR D. 10.82x1.78 NBR SH. 70 2043	2
6	98.2041.00	Tappo G 1/4"x9	2

DIS. COD. 10.9507.00



**ATTACCO
RAPIDO**

POS	COD.	DESCRIZIONE - DESCRIPTION KIT	NR
1	ZINA 1/4"F ZINA 3/8"F ZINA 1/4"M	Part. A - G 1/4"F Part. A - G 3/8"F Part. A - G 1/4"M	1
2	90.3820.00	OR D. 9.13x2.62 NBR SH. 70 109	1
3	90.5052.00	Anello antiest. D. 9.6x14.0x1.5	1
4	ZINB 1/4"M ZINB 3/8"M ZINB 1/2"M ZINB 1/4"F ZINB 3/8"F	Part. B - G 1/4"M Part. B - G 3/8"M Part. B - G 1/2"M Part. B - G 1/4"F Part. B - G 3/8"F	1

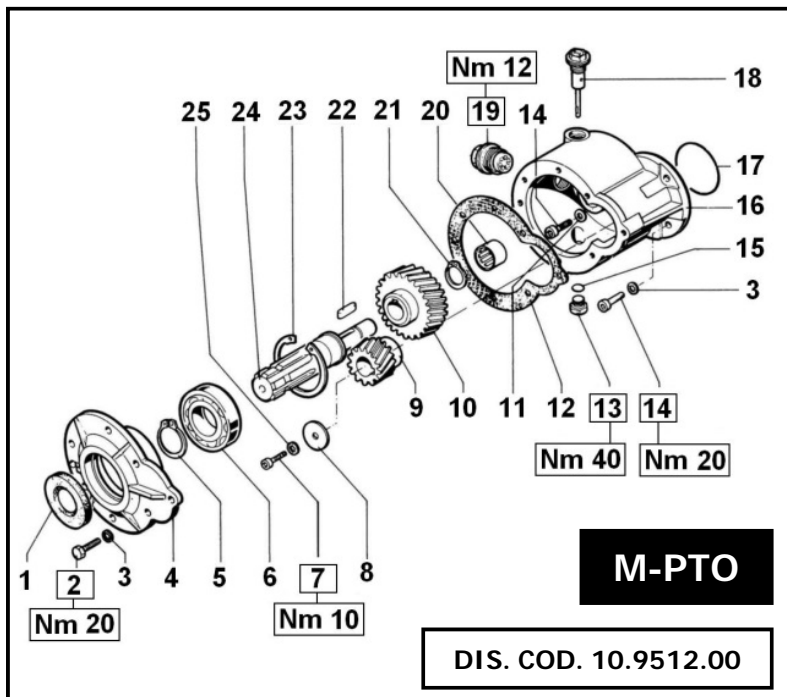


SIMPLEX 3

DIS. COD. 10.9525.00

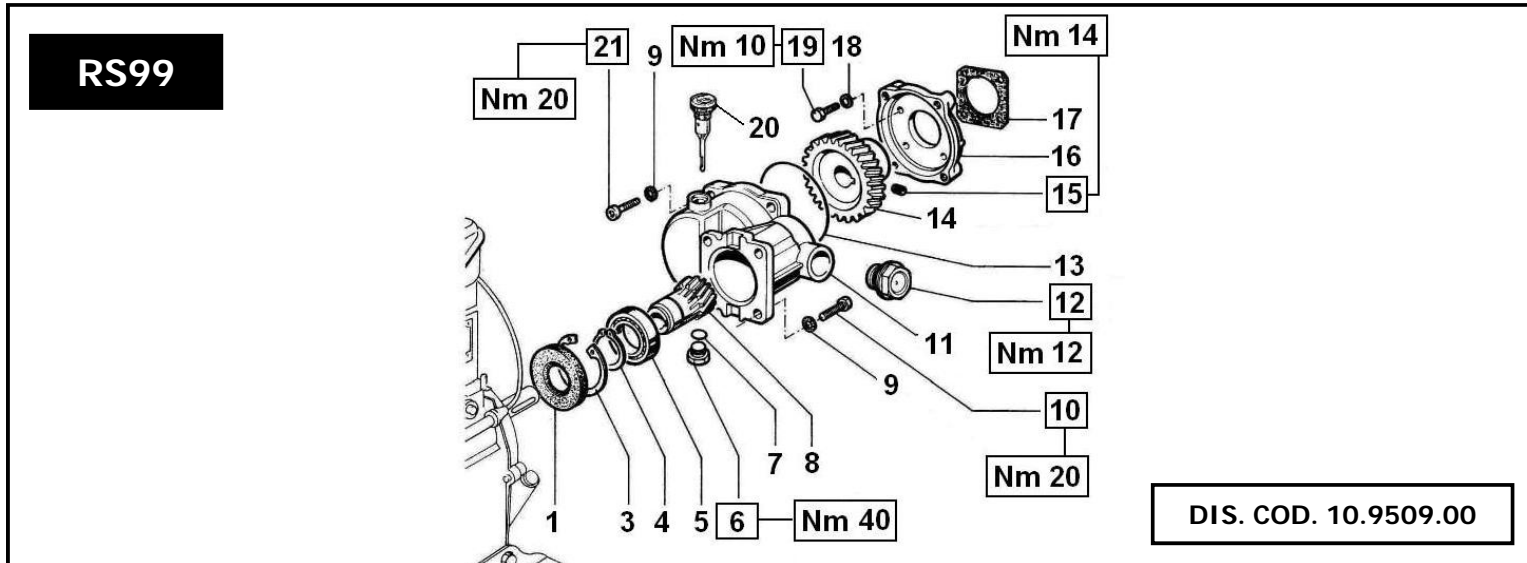
POS	COD.	DESCRIZIONE - DESCRIPTION KIT	NR
1	10.0464.51	Scatola di protezione	1
2	92.9740.00	Galletto M14x1.5	1
3	90.3814.00	OR D. 5.23x2.62 NBR SH. 70 3021	1
4	92.1926.00	Dado M4x7x3.2 UNI 5588	2
5	90.3827.00	OR D. 11.91x2.62 NBR SH. 70 115	1
6	10.0466.70	Corpo pressostato	1
7	90.3570.00	OR D. 4.48x1.78 NBR SH. 70 2018	1
8	96.6915.00	Rosetta D. 5.3x9.8x1.0	1
9	94.7343.00	Molla Dm. 7.5x31.5	1
10	10.0468.70	Pistoncino di comando	1

POS	COD.	DESCRIZIONE - DESCRIPTION KIT	NR
11	90.5010.00	Anello antiest. D. 4.0x7.0x1.5	1
12	90.3568.00	OR D. 3.69x1.78 NBR SH. 70 2015	2
13	10.0467.70	Nipplo per pressostato	1
14	10.7233.02 10.7235.02	Microinterruttore e cavo - N.Aperto Microinterruttore e cavo - N.Chiuso	1
15	90.3602.00	OR D. 23.5x1.78 NBR SH. 70 2093	1
16	10.0503.51	Coperchio	1
17	99.0344.00	Vite D. 2.2x9.5	4
18	99.1320.00	Vite M4x20 UNI 5931	2



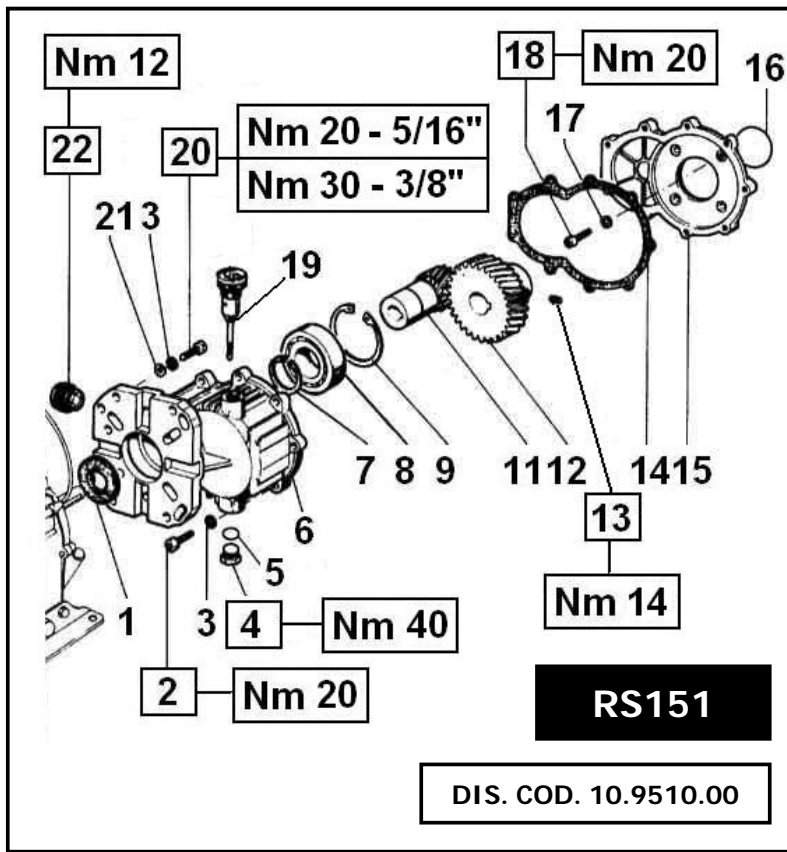
POS	COD.	DESCRIZIONE - DESCRIPTION KIT	NR
6	91.8470.00	Cuscinetto a sfere	1
7	99.1897.00	Vite M6x25 UNI 5931	1
8	96.6953.00	Rosetta D. 6.5x30.0x4.0	1
9	10.0221.55	Pignone Z17	1
10	10.0222.55	Corona Z32	1
11	93.1754.00	Rondella con tenuta D. 8.5x14.5	2
12	10.0224.84	Guarnizione	1
13	98.2100.50	Tappo G 3/8"x13 TE22 - Zinc.	1
14	99.3085.00	Vite M8x30 UNI 5931	4
15	90.3833.00	OR D. 13.95x2.62 NBR SH. 70 3056	1
16	10.0219.22	Carter moltiplicatore	1
17	90.3898.00	OR D. 56.82x2.62 NBR SH. 70 3225	1
18	98.2103.00	Tappo carico olio G 3/8"	1
19	97.5968.00	Spia livello olio	1
20	91.8310.00	Boccola a rullini	1
21	90.0635.00	Anello d'arresto A25 UNI 7435	1
22	91.4878.00	Linguetta 8x7x25 UNI 6604	1
23	90.0918.00	Anello d'arresto J72 UNI 7437	1
24	10.0223.55	Albero	1
25	96.6938.00	Rosetta D. 6.4x10.0x0.7	1

POS	COD.	DESCRIZIONE - DESCRIPTION KIT	NR
1	90.1672.00	Anello rad. D. 35.0x52.0x8.0	1
2	99.3067.00	Vite M8x25 UNI 5739	8
3	96.7014.00	Rosetta D. 8.4x13.0x0.8	10
4	10.0220.22	Coperchio	1
5	90.0695.00	Anello d'arresto A35 UNI 7435	1



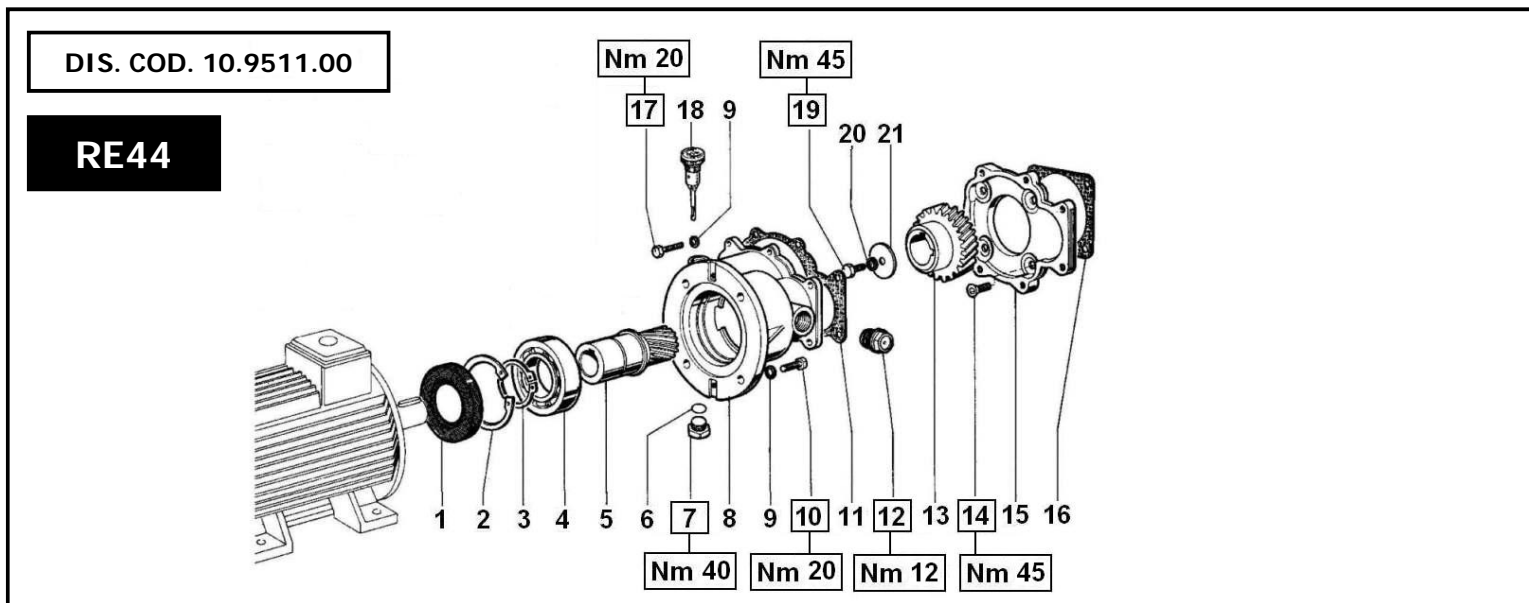
POS	COD.	DESCRIZIONE - DESCRIPTION KIT	NR
1	90.1674.00	Anello rad. D. 35.0x62.0x10.0	1
3	90.0850.00	Anello d'arresto J62 UNI 7437	1
4	90.0695.00	Anello d'arresto A35 UNI 7435	1
5	91.8464.00	Cuscinetto a sfere	1
6	98.2100.50	Tappo G 3/8"x13 TE22 - Zinc.	1
7	90.3833.00	OR D. 13.95x2.62 NBR SH. 70 3056	1
8	10.0205.55	Pignone Z13	1
9	96.7014.00	Rosetta D. 8.4x13.0x0.8	8
10	99.2740.00	Vite 5/16"x7/8"	4
11	10.0203.22	Carter riduttore	1

POS	COD.	DESCRIZIONE - DESCRIPTION KIT	NR
12	97.5968.00	Spia livello olio G 3/4"	1
13	90.4141.00	OR D. 85.32x3.53 NBR SH. 70 4337	1
14	10.0206.55	Corona Z30	1
15	99.3017.00	Vite M8x10 UNI 5929	1
16	10.0204.22	Flangia riduttore	1
17	10.0207.84	Guarnizione	1
18	96.6938.00	Rosetta D. 6.4x10.0x0.7	4
19	99.1882.00	Vite M6x20 UNI 5739	4
20	98.2103.00	Tappo carico olio G 3/8"	1
21	99.3084.00	Vite M8x30 UNI 5931	4



POS	COD.	DESCRIZIONE - DESCRIPTION KIT	NR
3	96.7014.00	Rosetta D. 8.4x13.0x0.8	13 9÷4
	96.7104.00	Rosetta D. 10.5x16.0x1.0	
4	98.2100.50	Tappo G 3/8"x13 TE22 - Zinc.	1
5	90.3833.00	OR D. 13.95x2.62 NBR SH. 70 3056	1
6	10.0229.22	Carter riduttore	1
7	90.0725.00	Anello d'arresto A40 UNI 7435	1
8	91.8518.00	Cuscinetto a sfere	1
9	90.0976.00	Anello d'arresto J80 UNI 7437	1
11	10.0233.55	Pignone Z17 D. 25.4	1
	10.0312.55	Pignone Z17 D. 25.0	
	10.0271.55	Pignone Z17 D. 28.6	
12	10.0234.55	Corona Z37	1
13	99.3017.00	Vite M8x10 UNI 5829	1
14	10.0232.84	Guarnizione	1
15	10.0230.22	Flangia riduttore	1
16	90.3898.00	OR D. 56.82x2.62 NBR SH. 70 3225	1
17	93.1754.00	Rondella con tenuta D. 8.5x14.5	4
18	99.3085.00	Vite M8x30 UNI 5931	4
19	98.2106.00	Tappo carico olio G 3/8"	1
20	99.2755.00	Vite 5/16"x1"x24 UNF	4
	99.3345.00	Vite 3/8"x1"x16 UNC	
21	96.7020.00	Rosetta D. 8.4x15.0x1.5	4
22	97.5968.00	Spia livello olio G 3/4"	1

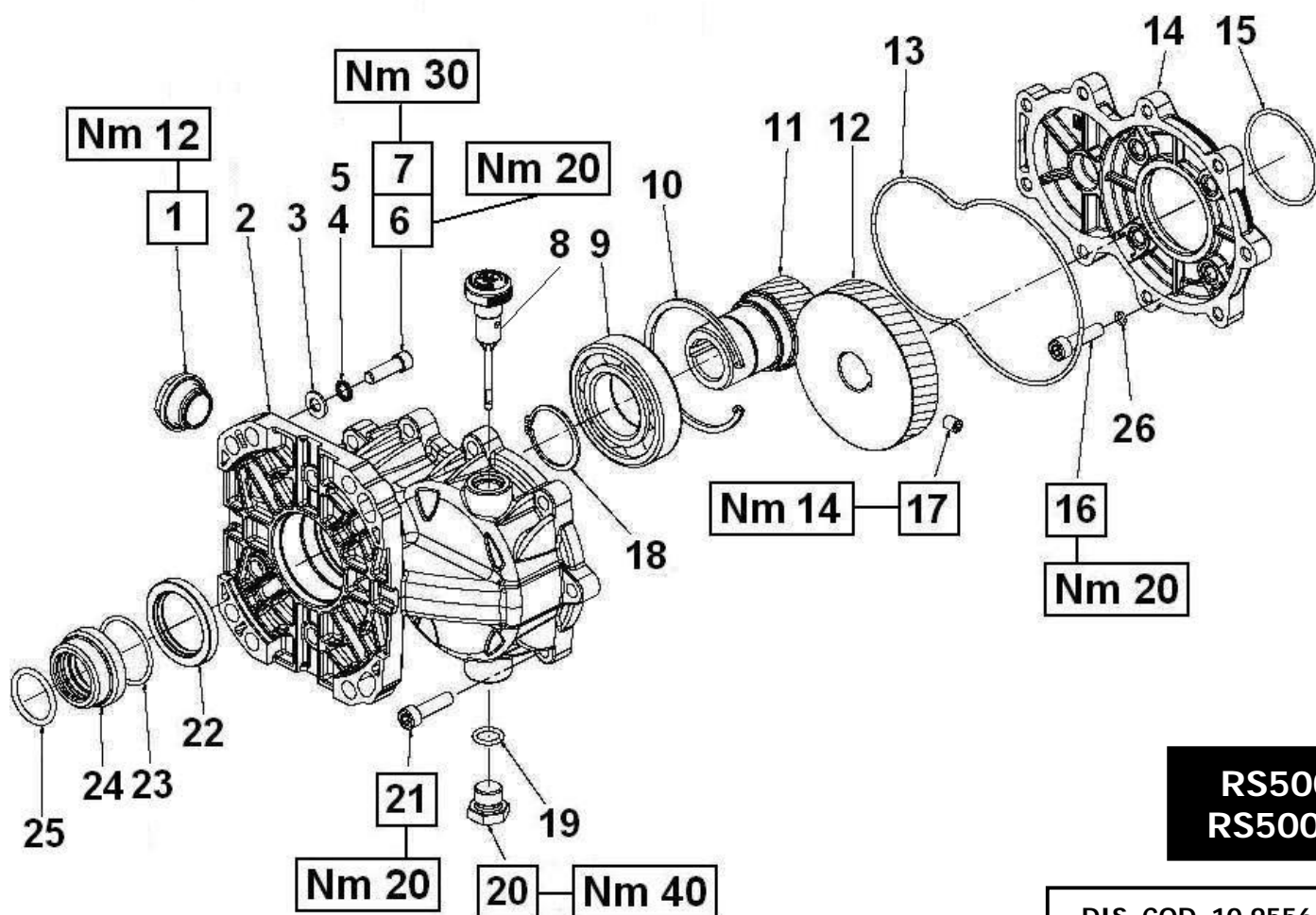
POS	COD.	DESCRIZIONE - DESCRIPTION KIT	NR
1	90.1680.00	Anello rad. D. 40.0x55.0x7.0	1
2	99.3084.00	Vite M8x30 UNI 5931	9



POS	COD.	DESCRIZIONE - DESCRIPTION KIT	NR
1	90.1696.00	Anello rad. D. 45.0x90.0x10.0	1
2	90.0995.00	Anello d'arresto J85 UNI 7437	1
3	90.0754.00	Anello d'arresto A45 UNI 7435	1
4	91.8575.00	Cuscinetto a sfere	1
5	10.0179.55	Pignone Z13	1
6	90.3833.00	OR D. 13.95x2.62 NBR SH. 70 3056	1
7	98.2100.50	Tappo G 3/8"x13 TE22 - Zinc.	1
8	10.0176.22	Carter riduttore	1
9	96.7014.00	Rosetta D. 8.4x13.0x0.8	11
10	99.3067.00	Vite M8x25 UNI 5739	4
11	10.0108.84	Guarnizione	1

POS	COD.	DESCRIZIONE - DESCRIPTION KIT	NR
12	97.5968.00	Spia livello olio G 3/4"	1
13	10.0180.55	Corona Z32	1
14	99.3685.00	Vite M10x30 UNI 5933	4
15	10.0105.22	Flangia riduttore	1
16	67.2113.84	Guarnizione carter	1
17	99.3056.00	Vite M8x20 UNI 5739	7
18	98.2103.00	Tappo carico olio G 3/8"	1
19	99.3684.00	Vite M10x30 UNI 5739	1
20	96.7104.00	Rosetta D. 10.5x16.0x1.0	1
21	10.0197.64	Cappellotto - T44	1
	96.7135.00	Rosetta D. 10.5x43.0x3.0 - T33	

**RIDUTTORE PER MOTORI ENDOTERMICI - GEARBOX FOR PETROL OR DIESEL ENGINES
 REDUCTEUR POUR MOTEURS THERMIQUES - UNTERSETZUNGSGETRIEBE FÜR BENZIN ODER DIESELMOTOREN
 REDUCTORA PARA MOTORES ENDOTERMICOS - REDUTOR PARA MOTORES DE COMBUSTÃO INTERNA**

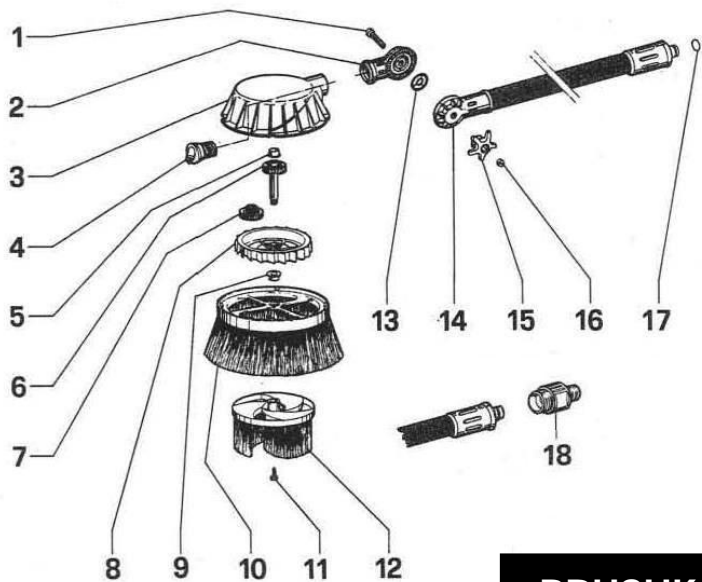


**RS500
RS500H**

DIS. COD. 10.9556.00

POS	COD.	DESCRIZIONE - DESCRIPTION KIT	NR
1	97.5968.00	Spia livello olio G 3/4"x11.5	1
2	10.0756.22	Scatola riduttore RS500	1
3	96.7020.00	Rosetta D. 8.4x15.0x1.5	4
4	96.7014.00	Rondella elastica D. 8.4x13.0x0.8	4
5	96.7104.00	Rondella elastica D. 10.5x16.0x1.0	4
6	99.2755.00	Vite 5/16"-24x1"	4
7	99.3346.00	Vite 3/8"-16x1-1/4"	4
8	98.2106.00	Tappo con asta G 3/8"x64	1
9	91.8520.00	Cuscinetto a sfere	1
10	90.0976.00	Anello d'arresto J80 UNI 7437	1
11	10.0233.55 10.0312.55 10.0271.55	Pignone Z17 - D. 25.4 Pignone Z17 - D. 25.0 - RS500 Pignone Z17 - D. 28.6 - RS500	1
12	10.0234.55	Corona Z37	1
13	90.3929.00	OR D. 152.07x2.62 NBR SH. 70 3600	1

POS	COD.	DESCRIZIONE - DESCRIPTION KIT	NR
14	10.0757.22	Coperchio riduttore	1
15	90.3898.00	OR D. 56.82x2.62 NBR SH. 70 3225	1
16	99.3085.00	Vite M8x30 UNI 5931	4
17	99.3017.00	Vite M8x30 UNI 5929	1
18	90.0725.00	Anello d'arresto A40 UNI 7435	1
19	90.3833.00	OR D. 13.95x2.62 NBR SH. 70 3056	1
20	98.2100.50	Tappo G 3/8"x13 TE22 - Zinc.	1
21	99.3084.00	Vite M8x30 UNI 5931	9
22	90.1680.00	Anello rad. D. 40.0x55.0x7.0	1
23	90.3877.00	OR D. 39.34x2.62 NBR SH. 70 3156 RS500H	1
24	10.0766.70	Bussola di contenimento - RS500H	1
25	90.4055.00	OR D. 29.75x3.53 NBR SH. 70 4118 RS500H	1
26	90.3507.00	OR D. 6.00x1.50 NBR SH. 70	4

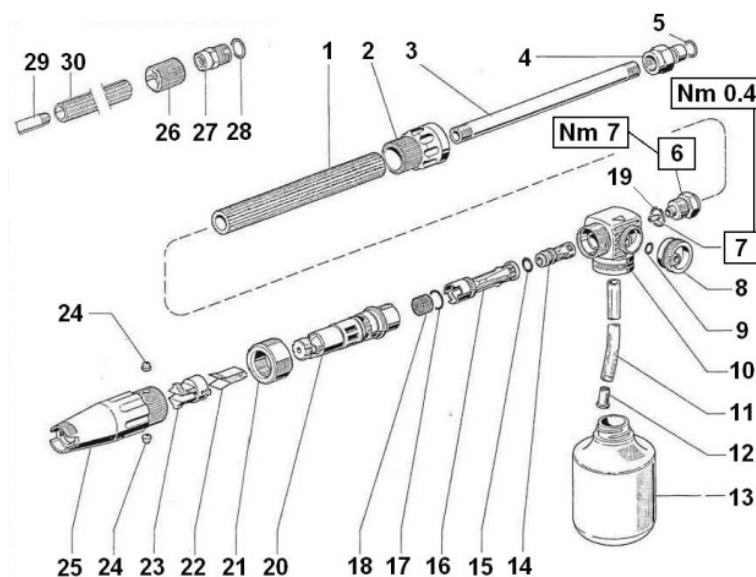


DIS. COD. 19.9502.00

BRUSHKIT ZTXBRUSH

POS	COD.	DESCRIZIONE - DESCRIPTION KIT	NR
1	99.1945.00	Vite M6x40 UNI 5739	1

POS	COD.	DESCRIZIONE - DESCRIPTION KIT	NR
2	19.0001.51	Semi-snodo	1
3	19.0012.02	Coperchio	1
4	19.0011.51	Ugello D. 3.85	1
5	19.0018.93	Boccola D. 9.4	1
6	19.0016.02	Ingranaggio Z32	1
7	19.0015.51	Ingranaggio doppio Z13/32	1
8	19.0014.51	Turbina	1
9	19.0017.51	Boccola D. 8.2	1
10	19.0006.02	Spazzola fissa	1
11	99.0840.00	Vite D. 3.5x13 UNI 7049	1
12	19.0010.02	Spazzola rotante	1
13	19.0013.47	Guarnizione snodo	1
14	19.7008.01	Impugnatura spazzola	1
15	19.0008.51	Pomolo di regolazione	1
16	92.2018.00	Dado M6x10x4	1
17	90.3820.00	OR D. 9.13x2.62 NBR SH. 70 109	1
SOLO PER ZTX BRUSH - ONLY FOR ZTXBRUSH			
18	10.0553.51	Adattatore M27-M22x1.5	1

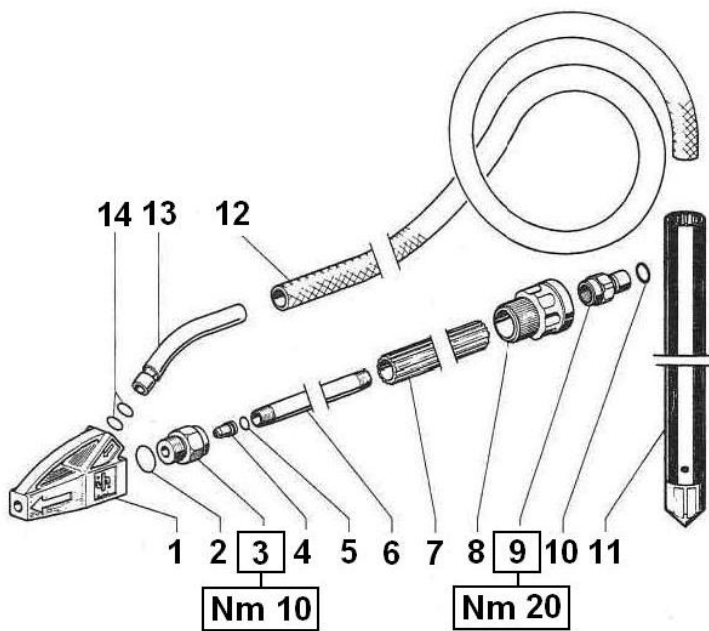


FOAMER FOAMKIT ZTXFOAM

DIS. COD. 10.9546.00

POS	COD.	DESCRIZIONE - DESCRIPTION KIT	NR
1	18.0106.98	Impugnatura - Quick 2	1
2	10.0295.51	Ghiera di fermo	1
3	18.2033.89	Tubo G 1/4" - Quick 2	1
4	10.0297.70	Innesto maschio	1
5	90.3820.00	OR D. 9.13x2.62 NBR SH. 70 109	1
6	10.0291.70	Nipplo	1
7	98.6674.00 98.6690.00 98.6780.00 98.6915.00	Ugello 140 - Type 1 Ugello 145 - Type 3 Ugello 160 - Type 5 Ugello 170 - Type 7	1

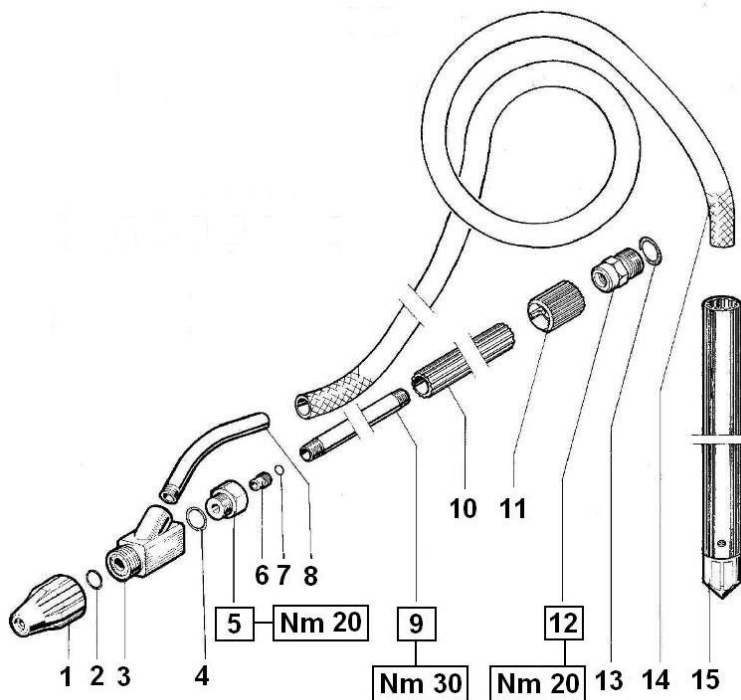
POS	COD.	DESCRIZIONE - DESCRIPTION KIT	NR
8	10.0289.51	Pomolo di regolazione	1
9	90.3574.00	OR D. 6.07x1.78 NBR SH. 70 2025	1
10	10.0288.51	Corpo	1
11	10.0292.98	Tubo D. 7x10 L=135	1
12	92.8914.00	Filtro	1
13	10.0276.51	Contenitore detergente 500 cc.	1
14	10.0285.51	Tubo venturi detergente	1
15	90.3580.00	OR D. 8.73x1.78 NBR SH. 70 108	1
16	10.0286.51	Tubo venturi aria	1
17	90.3589.00	OR D. 12.42x1.78 NBR SH. 70 2050	1
18	10.0270.36	Pastiglia filtro D. 15x10	1
19	90.3593.00	OR D. 15.6x1.78 NBR SH. 70 2062	1
20	10.0290.51	Cilindro	1
21	92.9836.00	Galletto M28x1.5	1
22	10.0304.76	Lame di guida	1
23	10.0299.51	Pinza	1
24	98.1916.00	Tappo D. 6	2
25	10.0300.51	Manopola di regolazione	1
SOLO PER ZTXFOAM - ONLY FOR ZTXFOAM			
26	10.0542.51	Protezione	1
27	ZINA 1/4"F	Nipplo 1/4"F-M22x1.5	1
28	90.3845.00	OR D. 18.72x2.62 NBR SH. 70 3075	1
29	18.0127.89	Tubo G 1/4" - Quick 35	1
30	18.0126.98	Impugnatura - Quick 35	1



SANDKIT

DIS. COD. 10.9505.00

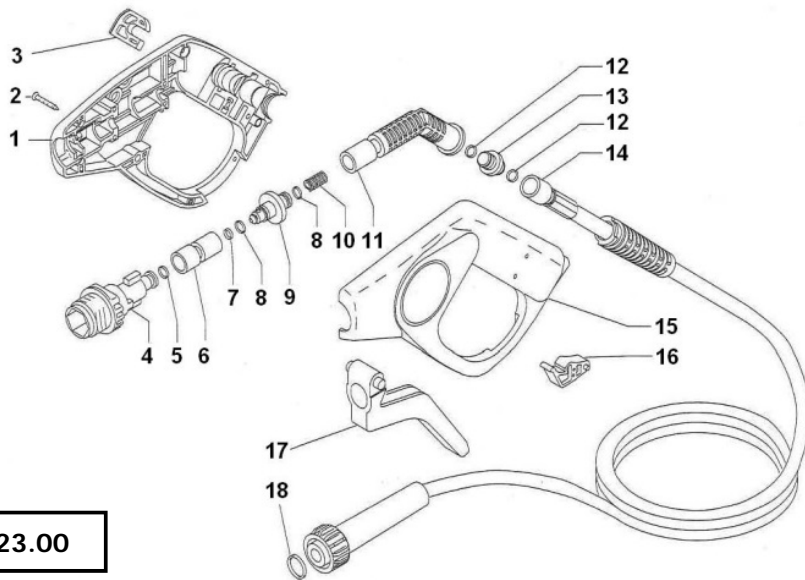
POS	COD.	DESCRIZIONE - DESCRIPTION KIT	NR
1	10.0331.01	Assieme testina e ugello	1
2	90.3593.00	OR D. 15.6x1.78 NBR SH. 70 2062	1
3	10.0129.70	Nipplo portaugello	1
4	10.0141.66 10.0133.66 10.0134.66 10.0135.66 10.0140.66 10.0330.66	Ugello D. 1.50 - Sandkit 0 Ugello D. 1.60 - Sandkit 1 Ugello D. 1.70 - Sandkit 2 Ugello D. 1.85 - Sandkit 3 Ugello D. 2.10 - Sandkit 4 Ugello D. 2.30 - Sandkit 5	1
5	90.3576.00	OR D. 6.75x1.78 NBR SH. 70 106	1
6	18.2033.89	Tubo G 1/4"	1
7	18.0106.98	Protezione tubo	1
8	10.0295.51	Ghiera di fermo	1
9	10.0297.70	Innesto maschio	1
10	90.3820.00	OR D. 9.13x2.62 NBR SH. 70 109	1
11	ZTESOND	Tubo aspirazione sabbia	1
12	10.0320.98	Tubo D. 13 L=3000	1
13	10.0311.89	Tubo porta-gomma	1
14	90.3582.00	OR D. 9.25x1.78 NBR SH. 70 2037	2



ZTXSAND

DIS. COD. 10.9538.00

POS	COD.	DESCRIZIONE - DESCRIPTION KIT	NR
1	10.7050.01	Assieme ghiera e ugello D. 6	1
2	90.3828.00	OR D. 12.37x2.62 NBR SH. 70 3050	1
3	10.7062.01	Corpo sabbiatore	1
4	90.3593.00	OR D. 15.6x1.78 NBR SH. 70 2062	1
5	10.0129.70	Nipplo porta-ugello	1
6	10.0141.66 10.0133.66 10.0134.66 10.0135.66 10.0140.66 10.0330.66	Ugello D. 1.50 - Testina 0 Ugello D. 1.60 - Testina 1 Ugello D. 1.70 - Testina 2 Ugello D. 1.85 - Testina 3 Ugello D. 2.10 - Testina 4 Ugello D. 2.30 - Testina 5	1
7	90.3576.00	OR D. 6.75x1.78 NBR SH. 70 106	1
8	10.0137.89	Tubo porta-gomma	1
9	18.0127.89	Tubo G 1/4" L=350	1
10	18.0126.98	Impugnatura	1
11	10.0542.51	Protezione	1
12	ZINA 1/4"F	Nipplo 1/4"F-M22x1.5	1
13	90.3845.00	OR D. 18.72x2.62 NBR SH. 70 3075	1
14	10.0320.98	Tubo D. 13 L=3000	1
15	ZTESOND	Tubo aspirazione sabbia	1

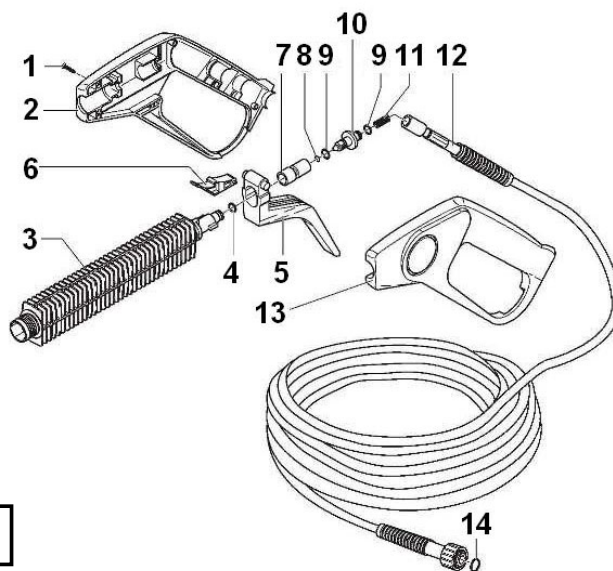


P6

DIS. COD. 18.9523.00

POS	COD.	DESCRIZIONE – DESCRIPTION KIT	NR
1	18.2104.51	Semiguscio destro	1
2	99.0744.00	Vite D. 2.9x16 UNI 7049	8
3	18.2096.51	Forcella	1
4	10.0525.51	Adattatore M27x2	1
5	90.3818.00	OR D. 7.59x2.62 NBR SH. 70 3030	1
6	18.2095.70	Corpo	1
7	90.3662.00	OR D. 3.00x2.00 NBR SH. 70	1
8	90.3579.00	OR D. 7.66x1.78 NBR SH. 70 2031	2
9	18.2102.51	Otturatore	1

POS	COD.	DESCRIZIONE – DESCRIPTION KIT	NR
10	94.7340.00	Molla Dm. 7.5x14.0	1
11	18.2097.51	Raccordo a gomito	1
12	90.3817.00	OR D. 6.02x2.62 NBR SH. 70 3024	2
13	18.2101.70	Adattatore	1
14	98.4018.00	Tubo 1/4"x7	1
15	18.2103.51	Semi-guscio sinistro	1
16	18.2094.51	Levetta per sicura	1
17	18.2089.51	Leva pistola	1
18	90.3819.00	OR D. 9.13x2.62 NBR SH. 70 109	1

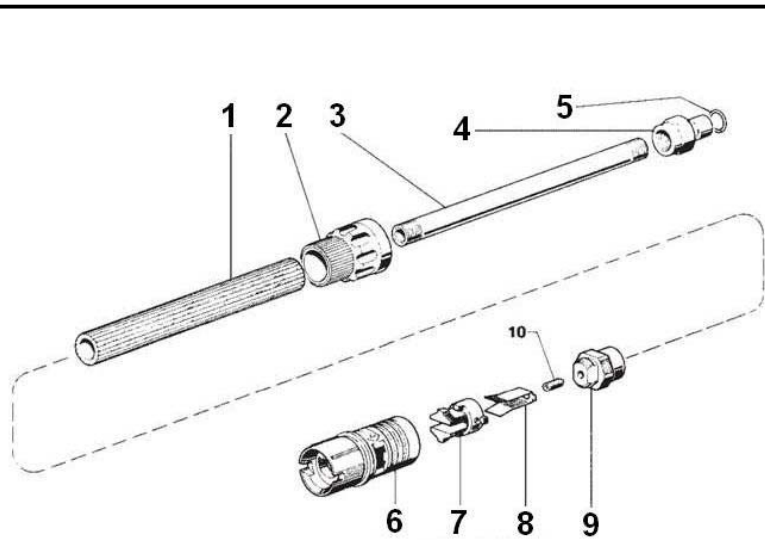


P7

DIS. COD. 18.9525.00

POS	COD.	DESCRIZIONE – DESCRIPTION KIT	NR
1	99.0744.00	Vite D. 3x16	8
2	18.2111.51	Semi-guscio destro	1
3	18.0128.51	Prolunga pistola P6	1
4	90.3818.00	OR D. 7.59x2.62 NBR SH. 70 3030	1
5	18.2089.51	Leva pistola	1
6	18.2094.51	Levetta per sicura	1
7	18.2095.70	Corpo	1

POS	COD.	DESCRIZIONE – DESCRIPTION KIT	NR
8	90.3662.00	OR D. 3.00x2.00 NBR SH. 70	1
9	90.3579.00	OR D. 7.66x1.78 NBR SH. 70 2031	2
10	18.2102.51	Otturatore	1
11	94.7340.00	Molla Dm. 7.5x14.0	1
12	98.4107.00	Tubo 1/4"x7	1
13	18.2110.51	Semi-guscio sinistro	1
14	90.3819.00	OR D. 9.13x2.62 NBR SH. 70 109	1

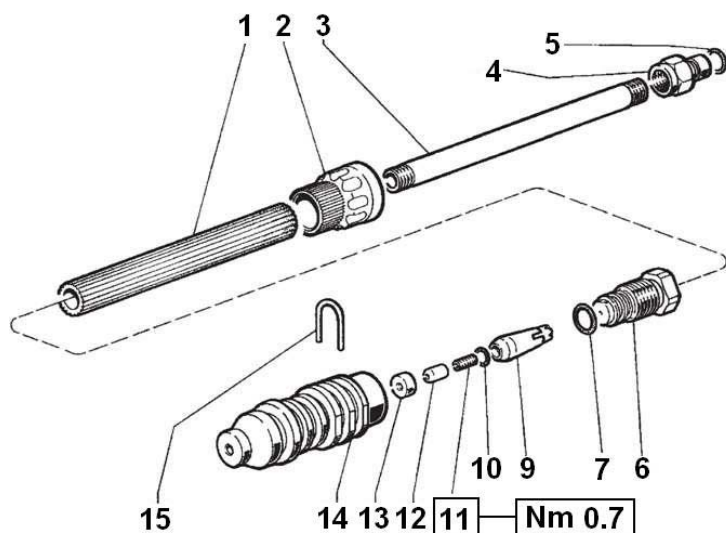


VARIOJET VARIOJETKIT

DIS. COD. 10.9537.00

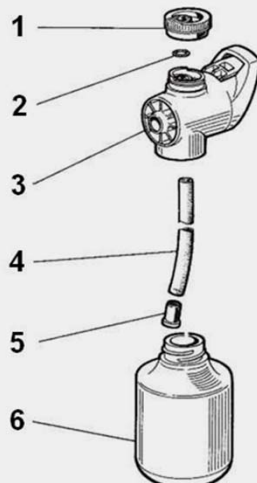
POS	COD.	DESCRIZIONE - DESCRIPTION KIT	NR
1	18.0126.98	Impugnatura	1
2	10.0295.51	Ghiera	1
3	18.0127.89	Tubo G 1/4"	1
4	10.0297.70	Innesto maschio	1
5	90.3820.00	OR D. 9.13x2.62 NBR SH. 70 109	1
6	10.0379.51	Manopola di regolazione	1
7	10.0299.51	Pinza	1
8	10.0304.76	Lama di guida	1
9	10.0380.70	Nipplo	1
10	98.6610.00 98.6615.00 98.6632.00 98.6674.00 98.6690.00 98.6725.00 98.6756.00 98.6780.00 98.6820.00 98.6915.00 98.6935.00 98.6963.00	Ugello 125 - Beige Ugello 130 - Arancione Ugello 135 - Blu Ugello 140 - Rosso Ugello 145 - Giallo Ugello 150 - Azzurro Ugello 155 - Bianco Ugello 160 - Nero Ugello 165 - Viola Ugello 170 - Marrone Ugello 175 - Neutro Ugello 180 - Verde	1

ROTOCLEANKIT



DIS. COD. 10.9541.00

POS	COD.	DESCRIZIONE - DESCRIPTION KIT	NR
1	18.0126.98	Impugnatura	1
2	10.0295.51	Ghiera	1
3	18.0127.89	Tubo G 1/4"	1
4	10.0297.70	Innesto maschio	1
5	90.3820.00	OR D. 9.13x2.62 NBR SH. 70 109	1
6	10.0528.70	Nipplo convogliatore	1
7	90.3823.00	OR D. 9.92x2.62 NBR SH. 70 112	1
9	10.0560.02	Assieme rotore	1
10	90.3574.00	OR D. 6.07x1.78 NBR SH. 70 2025	1
11	98.6632.00 98.6674.00 98.6690.00 98.6725.00 98.6780.00	Ugello 135 - Blu Ugello 140 - Rosso Ugello 145 - Giallo Ugello 150 - Azzurro Ugello 160 - Nero	1
12	10.0456.09	Testina	1
13	10.0455.09	Sede	1
14	10.0526.51	Manopola	1
15	10.0527.66	Forcella	1



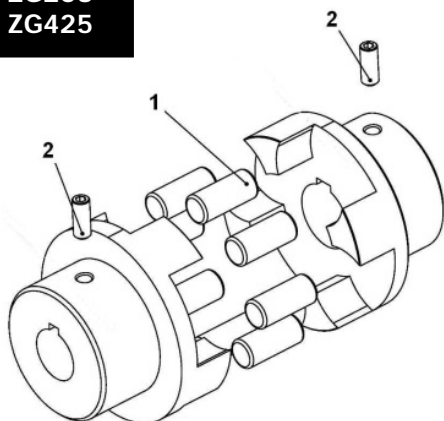
CHEM KIT

DIS. COD. 10.9531.00

POS	COD.	DESCRIZIONE - DESCRIPTION KIT	NR
1	10.0289.51	Pomolo di regolazione	1
2	90.3574.00	OR D. 6.07x1.78 NBR SH. 70 2025	1
3	10.0531.02	Corpo completo	1
4	10.0292.98	Tubo D. 7x10	1
5	92.8914.00	Filtro	1
6	10.0276.51	Contenitore detergente 500 c.c.	1

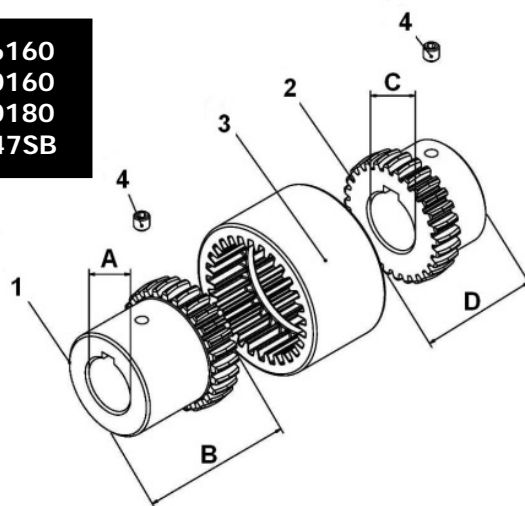
GIUNTI ELASTICI - FLEXIBLE COUPLING

ZG066 - ZG203
ZG355 - ZG425



POS	COD.	DESCRIZIONE - DESCRIPTION	NR
1	10.0020.47	Gommino per giunto	8÷12
2	99.3017.00	Vite M8x10 UNI 5929	2

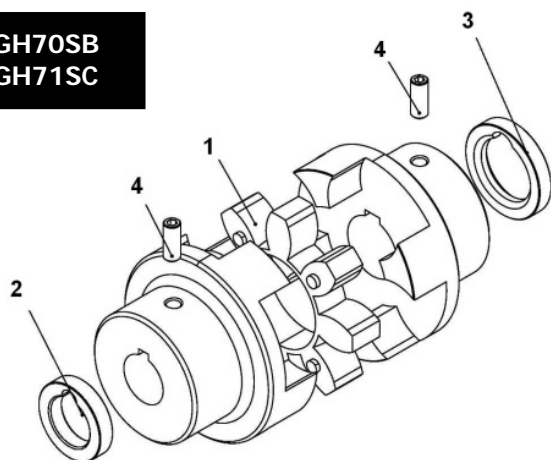
ZG66160
ZG70160
ZG70180
ZGH47SB



MODEL	A	B	C	D
ZG66160	24	43	42	110
ZG70160	30	80	42	110
ZG70180	30	80	48	110
ZGH47SB	24	30	22.22	45

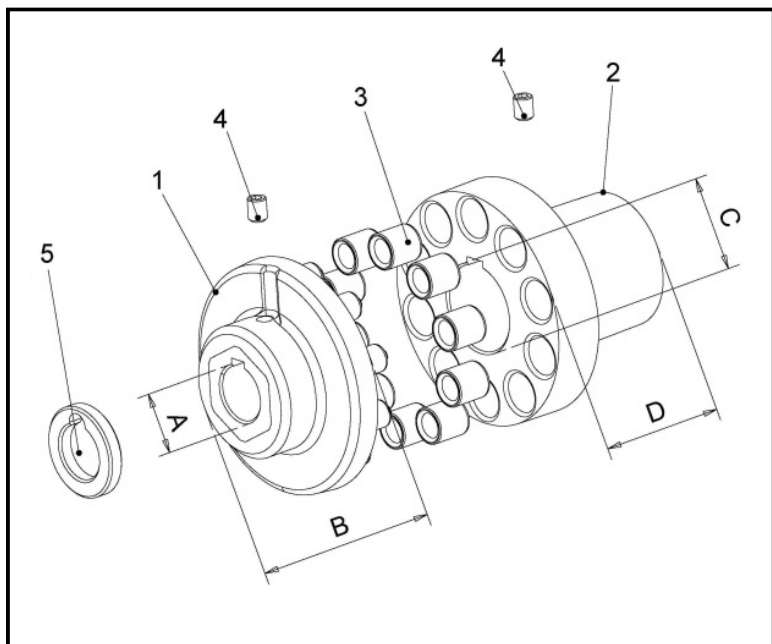
POS	COD.	DESCRIZIONE - DESCRIPTION	NR
1	10.0845.54 10.0759.54 10.0681.64	Semigiunto pompa - ZG66160 Semigiunto pompa - ZG70180 Semigiunto pompa - ZGH47SB	1
2	10.0760.54 10.0761.54 10.0765.64	Semigiunto motore - ZG66160 ZG70160 Semigiunto motore - ZG70180 Semigiunto motore - ZGH47SB	1
3	10.0762.51 10.0683.51	Manicotto dentato D. 100 - ZG66160 ZG70160 ZG70180 Manicotto dentato D. 63 - ZGH47SB	1
4	99.3017.00 99.1790.00	Vite M8x10 UNI 5929 - ZG66160 ZG70160 ZG70180 Vite M6x6 UNI 5929 - ZGH47SB	2

ZGH70SB
ZGH71SC



POS	COD.	DESCRIZIONE - DESCRIPTION	NR
1	10.0755.47 10.0749.47	Elemento elastico D. 46 - ZGH70SB Elemento elastico D. 55 - ZGH71SC	1
2	10.0745.70	Distanziale D. 31.75x10.5 - ZGH71SC	1
3	10.0746.70	Distanziale D. 40x10 - ZGH71SC	1
4	99.3660.00	Vite M10x25 UNI 5923	2

GIUNTI ELASTICI - FLEXIBLE COUPLING

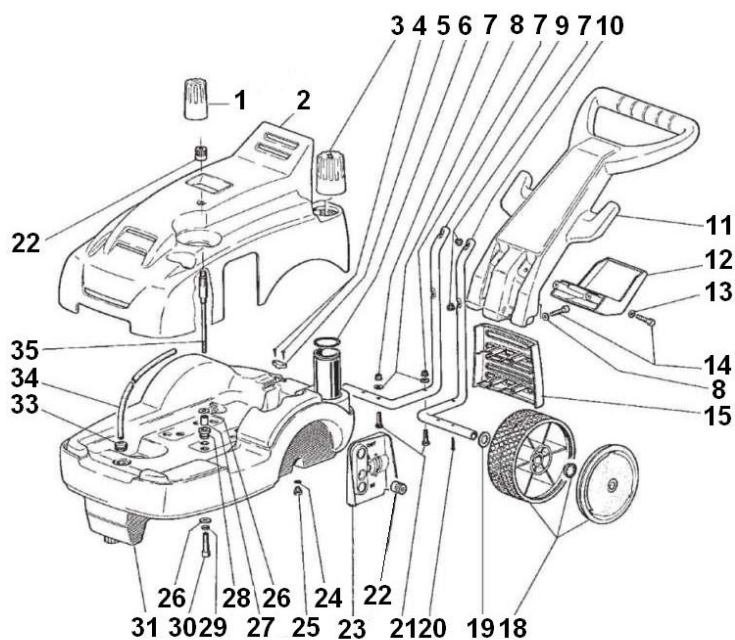


ZG044 - ZG070 - ZG071 - ZG080 - ZG07151
 ZG08051 - ZG091 - ZG104 - ZG132 - ZG151 - ZG202
 ZGWW75 - ZGWW94 - ZG56C - ZG145TC
 ZG184TC - ZG213TC - ZGONDA18 - ZGONDA18P

MODEL	A	B	C	D	*
ZG071	24	40	14	40	4
ZG07151	24	46	14	40	4
ZG56C	24	30	15.9	53	6
ZG080	24	40	19	40	4
ZG08051	24	46	19	40	4
ZG145TC	24	30	22.25	61	6
ZG070	24	30	24	61	6
ZGWW75	24	36	24	61	6
ZGONDA18	24	36	25.4	61	6
ZGONDA18P	24	32	25.4	81	10
ZG091	24	30	28	61	6
ZG151	24	30	28	74	6
ZGWW94	24	36	28	61	6
ZG044	24	40	28	61	6
ZG184TC	24	30	28.6	61	6
ZG213TC	24	32	35	81	10
ZG202	24	32	38	81	10
ZG132	24	32	38	81	10
ZG104	35	50	38	81	10

POS	COD.	DESCRIZIONE - DESCRIPTION	NR
1	10.0546.22	Semigiunto pompa - ZG044	1
	10.0091.22	Semigiunto pompa - ZG070 ZG091 ZG145TC ZG151 ZG56C ZG184TC	
	10.0740.22	Semigiunto pompa - ZG071 ZG080	
	10.0758.22	Semigiunto pompa - ZG07151 ZG08051	
	10.0420.22	Semigiunto pompa - ZG104	
	10.0210.02	Semigiunto pompa - ZG202 ZG213TC ZGONDA18P ZG132	
	10.0376.22	Semigiunto pompa - ZGWW75 ZGWW94 ZGONDA18	
2	10.0093.22	Semigiunto motore - ZG044 ZG091 ZGWW94	1
	10.0094.22	Semigiunto motore - ZG070 ZGWW75	
	10.0738.22	Semigiunto motore - ZG071 ZG07151	
	10.0739.22	Semigiunto motore - ZG080 ZG08051	
	10.0212.22	Semigiunto motore - ZG104 ZG202 ZG132	
	10.0092.22	Semigiunto motore - ZG151	
	10.0255.22	Semigiunto motore - ZG56C	
	10.0199.22	Semigiunto motore - ZG145TC	
	10.0313.22	Semigiunto motore - ZG184TC	
	10.0314.22	Semigiunto motore - ZG213TC	
10.0430.22	Semigiunto motore - ZGONDA18		
10.0463.22	Semigiunto motore - ZGONDA18P		
3	10.0090.47	Boccola per giunti	*
4	99.3017.00	Vite M8x10 UNI 5929	2÷3
5	10.0680.70	Distanziale - ZG132	1

CARRELLO - TROLLEY T-TX

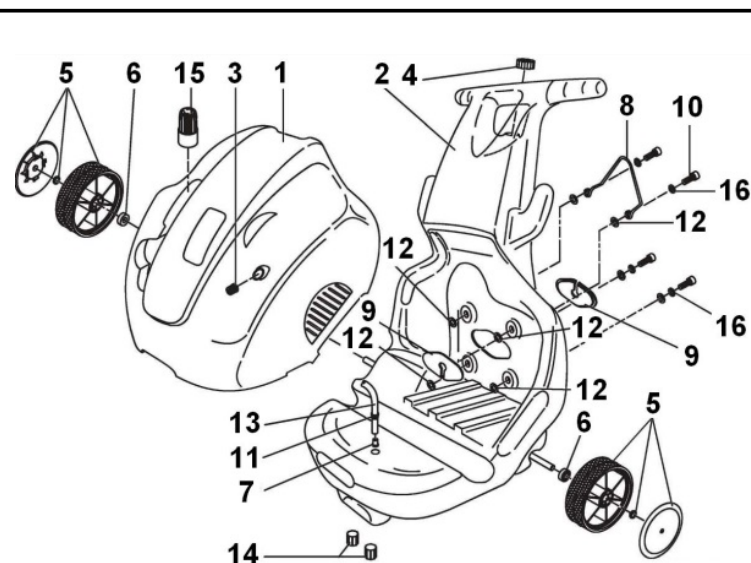


DIS. COD. 23.9506.00

POS	COD.	DESCRIZIONE - DESCRIPTION KIT	NR
1	36.3222.51 36.3221.51	Pomolo - Serie T Pomolo - Serie TX	1
2	23.0084.51 23.0083.51	Carenatura - Serie T Carenatura - Serie TX	1
3	23.0087.51	Tappo	1
4	99.1312.00	Vite D. 4.2x18 UNI 7049	2
5	23.0095.51	Ferma-cavo	1
6	90.3889.00	OR D. 48.89x2.62 NBR SH. 70 3193	1
7	92.2040.00	Dado M6	8

POS	COD.	DESCRIZIONE - DESCRIPTION KIT	NR
8	96.6962.00	Rosetta D. 6.6x18.0	6
9	23.0089.88	Tubo destro	1
10	23.0088.88	Tubo sinistro	1
11	23.0093.51	Manubrio	1
12	23.0102.51	Gancio	1
13	96.6925.00	Rosetta D. 6.2x10.0	2
14	99.1943.00	Vite M6x40 UNI 5931	4
15	23.0086.51	Griglia	1
18	96.9327.00	Ruota D. 200	2
19	96.7521.00	Rosetta D. 21.0x37.0x3.0	2
20	91.7129.00	Copiglia D. 3x30 UNI 1336	2
21	99.1929.00	Vite M6x40 UNI 5731	4
22	52.2122.51	Pomolo	2
23	23.0091.51 23.0090.51	Mascherina - Serie T Mascherina - Serie TX	1
24	90.3818.00	OR D. 7.59x2.62 NBR SH. 70 3030	1
25	98.2041.00	Tappo G 1/4"x9	1
26	96.7072.00	Rosetta D. 9.0x24.0x2.0	8
27	23.0099.70	Distanziale	4
28	23.0098.47	Supporto elastico	4
29	96.7016.00	Rosetta D. 8.4 UNI 1751	4
30	99.3099.00 99.3129.00	Vite M8x35 UNI 5931 - Serie T Vite M8x45 UNI 5931 - Serie TX	4
31	23.0092.02	Serbatoio	1
33	23.0101.47	Passatubo	1
34	10.0529.98	Tubo detergente L=380	1
35	23.0127.02	Colonna fissaggio carenatura	1

CARRELLO - TROLLEY IPX

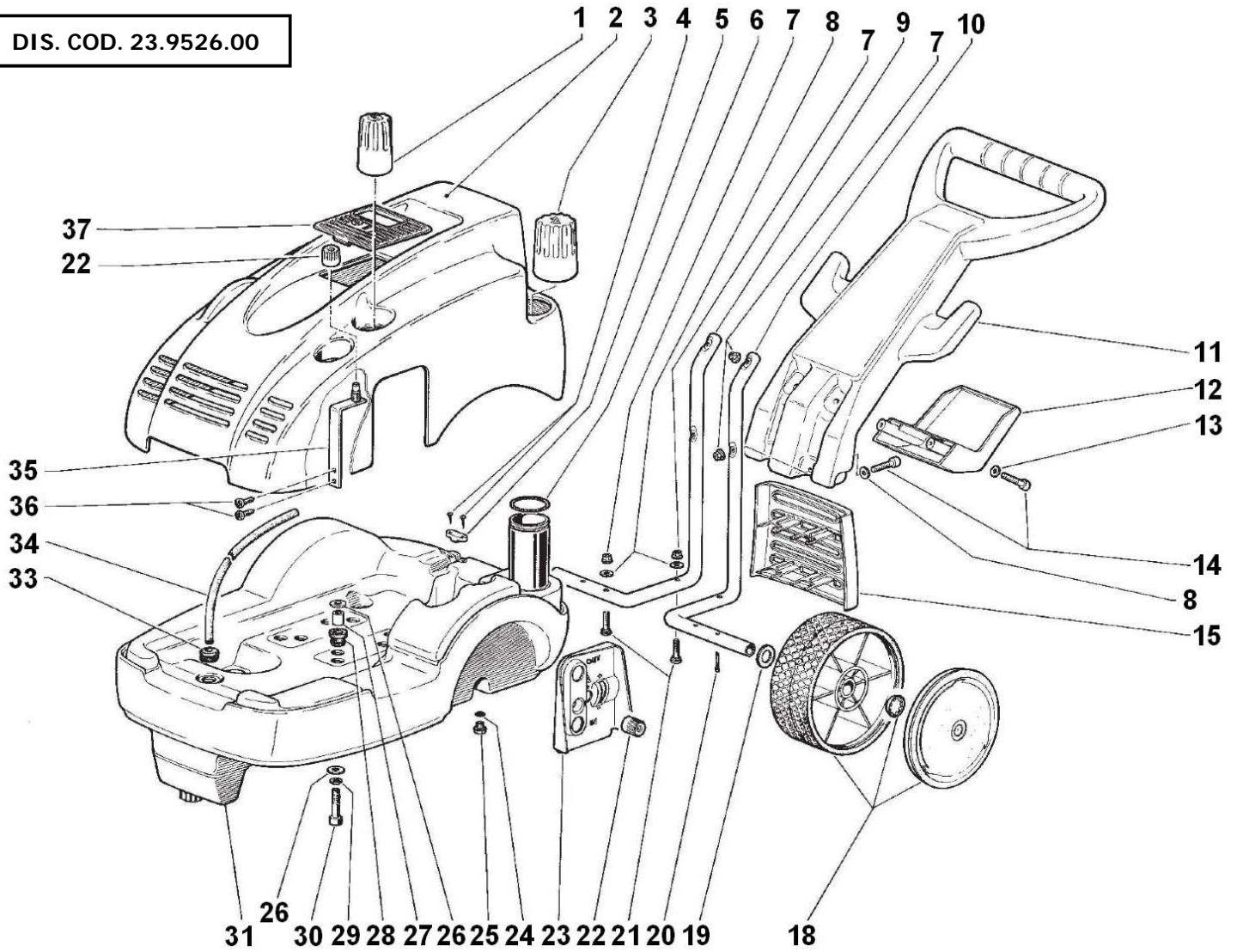


DIS. COD. 23.9522.00

POS	COD.	DESCRIZIONE - DESCRIPTION KIT	NR
1	23.0149.51	Carenatura - Serie IPX	1
2	23.0148.02	Serbatoio completo + assale	1
3	52.2122.51	Pomolo fissaggio protezione anter.	1
4	23.0135.51	Tappo serbatoio - Rosso	1
5	96.9390.00	Assieme ruota IP-IPX - Rosso	2
6	23.0139.51	Distanziale	2
7	92.8914.00	Filtro per Faomkit	1
8	23.0146.66	Gancio supporto cavo	1
9	23.0142.51	Flangia per pressa-cavo	2
10	99.3099.00	Vite M8x35 UNI 5931	4
11	23.0101.47	Passa-tubo	1
12	96.7072.00	Rosetta D. 9.0x24.0 UNI 6593	8
13	10.0592.98	Tubo detergente L=425	1
14	23.0136.82	Puntale per foro D. 22	2
15	36.3221.51	Pomolo valvola TX	1
16	96.7016.00	Rosetta D. 8.4 UNI 1751	4

CARRELLO – TROLLEY TSX

DIS. COD. 23.9526.00

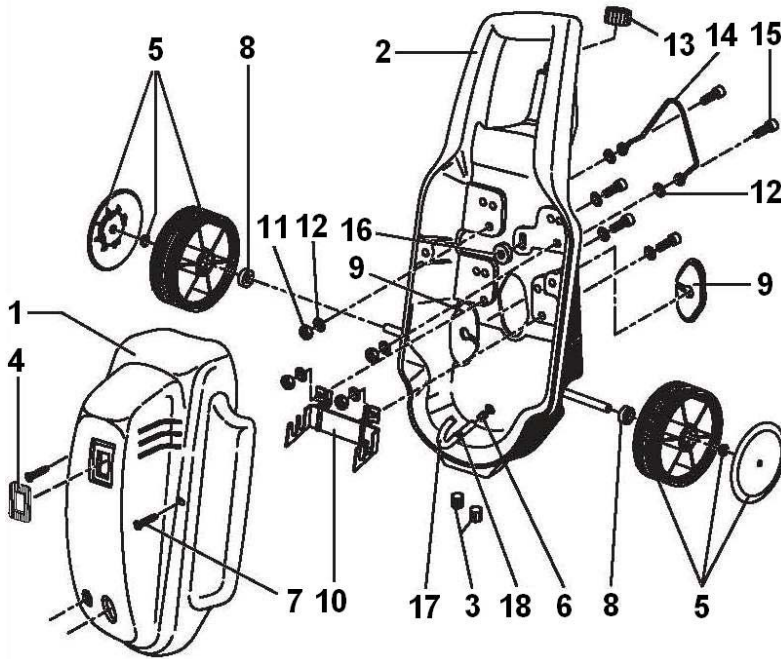


POS	COD.	DESCRIZIONE – DESCRIPTION KIT	NR
1	36.3221.51	Pomolo - Serie TSX	1
2	23.0178.51	Carenatura - Serie TSX	1
3	23.0087.51	Tappo	1
4	99.1312.00	Vite D. 4.2x19 UNI 7049	2
5	23.0095.51	Ferma-cavo	1
6	90.3889.00	OR D. 48.89x2.62 NBR SH. 70 3193	1
7	92.2040.00	Dado M6	8
8	96.6962.00	Rosetta D. 6.6x18.0	6
9	23.0089.88	Tubo destro	1
10	23.0088.88	Tubo sinistro	1
11	23.0093.51	Manubrio	1
12	23.0102.51	Gancio	1
13	96.6925.00	Rosetta D. 6.2x10.0	2
14	99.1943.00	Vite M6x40 UNI 5931	4
15	23.0086.51	Griglia	1
18	96.9327.00	Ruota D. 200	2
19	96.7521.00	Rosetta D. 21.0x37.0x3.0	2

POS	COD.	DESCRIZIONE – DESCRIPTION KIT	NR
20	91.7129.00	Copiglia D. 3x30 UNI 1336	2
21	99.1929.00	Vite M6x40 UNI 5731	4
22	52.2122.51	Pomolo	2
23	23.0090.51	Mascherina - Serie TSX	1
24	90.3818.00	OR D. 7.59x2.62 NBR SH. 70 3030	1
25	98.2041.00	Tappo G 1/4"x9	1
26	96.7072.00	Rosetta D. 9.0x24.0x2.0	8
27	23.0099.70	Distanziale	4
28	23.0098.47	Supporto elastico	4
29	96.7016.00	Rosetta D. 8.4 UNI 1751	4
30	99.3129.00	Vite M8x45 UNI 5931	4
31	23.0092.02	Serbatoio	1
33	23.0101.47	Passa-tubo	1
34	10.0529.98	Tubo	1
35	23.0192.02	Colonna	1
36	99.1474.00	Vite D. 4.8x13 UNI 7049	2
37	23.0183.51	Mascherina interruttore TSX	1

CARRELLO – TROLLEY IP

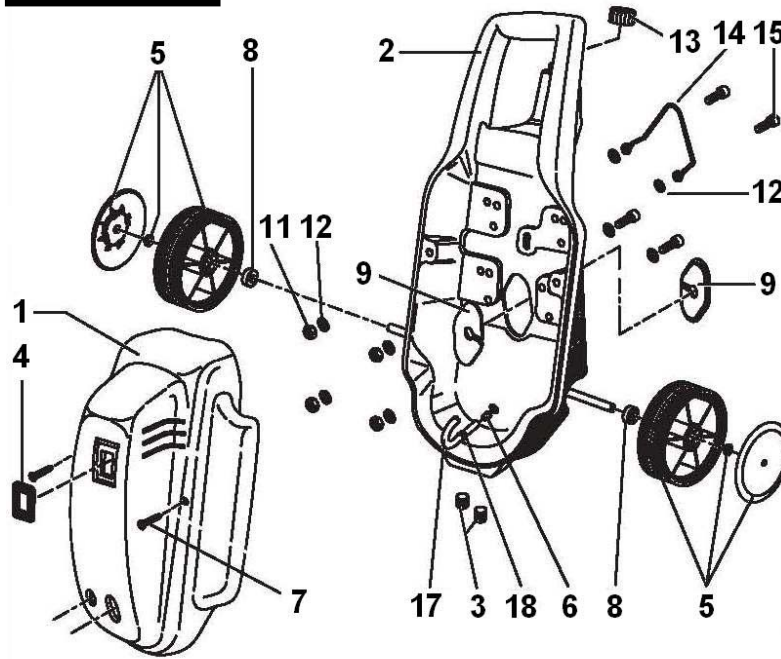
**IP130
IP140**



DIS. COD. 23.9510.00

POS	COD.	DESCRIZIONE – DESCRIPTION KIT	NR
1	23.0132.51	Carenatura - Serie IP130 IP140	1
2	23.0147.02	Serbatoio completo+assale	1
3	23.0136.82	Puntale per foro D. 22	2
4	23.0133.51	Mascherina interruttore	1
5	96.9390.00	Assieme ruota - Serie IP-IPX	2
6	92.8914.00	Filtro per Faomkit	1
7	99.1704.00	Vite M5x60 UNI 7687	2
8	23.0139.51	Distanziale	2
9	23.0142.51	Flangia per pressa-cavo	2
10	23.0143.74	Staffa supporto motore	1
11	92.2218.00	Dado M8x5x13 UNI 5589	4
12	96.7072.00	Rosetta piana D. 9.0x24.0	9
13	23.0135.51	Tappo serbatoio	1
14	23.0140.66	Gancio supporto	1
15	99.3099.00	Vite M8x35 UNI 5931	5
16	23.0144.47	Supporto elastico	1
17	10.0529.98	Tubo detergente L=380	1
18	23.0101.47	Passa-tubo	1

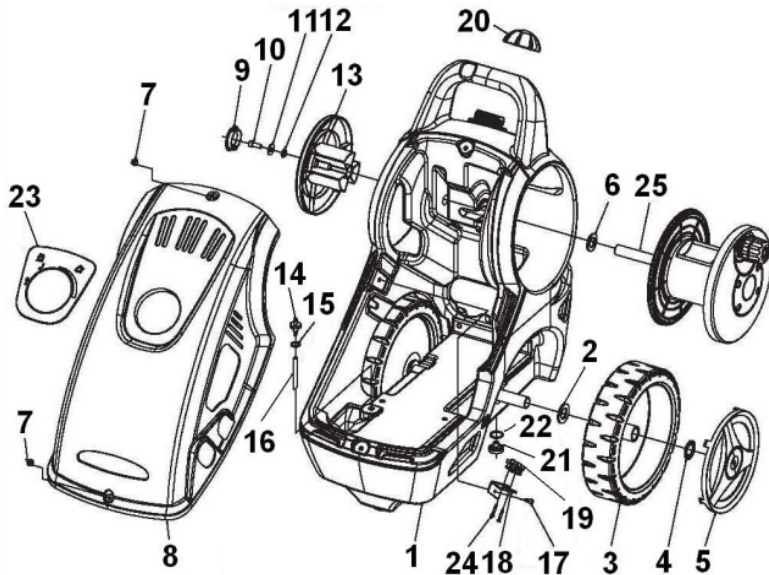
**IP150
IP170**



DIS. COD. 23.9514.00

POS	COD.	DESCRIZIONE – DESCRIPTION KIT	NR
1	23.0132.51 23.0131.51	Carenatura - Serie IP150 Carenatura - Serie IP170	1
2	23.0147.02	Serbatoio completo+assale	1
3	23.0136.82	Puntale per foro D. 22	2
4	23.0133.51	Mascherina interruttore	1
5	96.9390.00	Assieme ruota - Serie IP-IPX	2
6	92.8914.00	Filtro per Faomkit	1
7	99.1704.00	Vite M5x60 UNI 7687	2
8	23.0139.51	Distanziale	2
9	23.0142.51	Flangia per pressa-cavo	2
11	92.2218.00	Dado M8x5x13 UNI 5589	4
12	96.7072.00	Rosetta piana D. 9.0x24.0	9
13	23.0135.51	Tappo serbatoio	1
14	23.0140.66	Gancio supporto	1
15	99.3099.00	Vite M8x35 UNI 5931	5
17	10.0529.98	Tubo detergente L=380	1
18	23.0101.47	Passa-tubo	1

CARRELLO – TROLLEY TX300 TX500

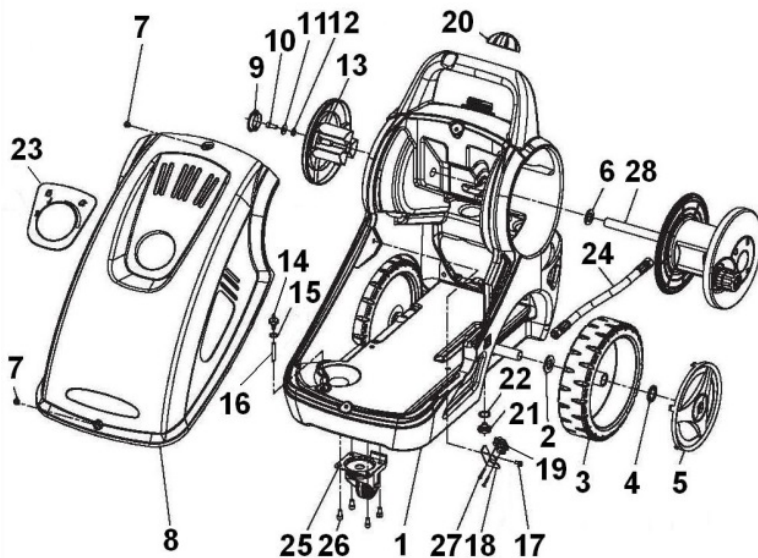


TX300

DIS. COD. 23.9541.00

POS	COD.	DESCRIZIONE – DESCRIPTION KIT	NR
1	23.0209.02	Serbatoio - Serie TX300	1
2	96.7600.00	Rosetta D. 26.0x44.0x4.0 UNI 6593	2
3	96.9360.00	Ruota D. 305x80x25	2
4	90.0636.00	Anello d'arresto RDFP25	2

POS	COD.	DESCRIZIONE – DESCRIPTION KIT	NR
5	23.0250.51	Borchia per ruota D. 305	2
6	96.7580.00	Rosetta D. 23.0x39.0x3.0 UNI 6592	1
7	99.1815.00	Vite M16x12	2
8	23.0240.51	Carenatura - Serie TX300	1
9	23.0203.51	Coperchio avvolgi-cavo	1
10	99.3059.00	Vite M8x20 UNI 5931	1
11	96.7072.00	Rosetta D. 9.0x24.0 UNI 6593	1
12	45.2125.70	Piattello valvola	1
13	23.0202.51	Avvolgicavo	1
14	23.0205.70	Portagomma G 1/8" - D. 3	1
15	90.3835.00	OR D. 15.08x2.62 NBR SH. 70 119	1
16	10.0689.98	Tubo detergente L=80	1
17	99.1835.00	Vite M6x12 UNI 5931	1
18	23.0207.74	Staffa supporto ferma-cavo	1
19	93.5230.00	Pressa-cavo D. 6	1
20	23.0204.51	Tappo serbatoio	1
21	98.2020.00	Tappo M12x13	1
22	90.3855.00	OR D. 23.47x2.62 NBR SH. 70 3093	1
23	98.2916.00	Targhetta on-off	1
24	99.1332.00	Vite M4x25 UNI 7687	2
25	23.9536.01	Avvolgi-tubo	1



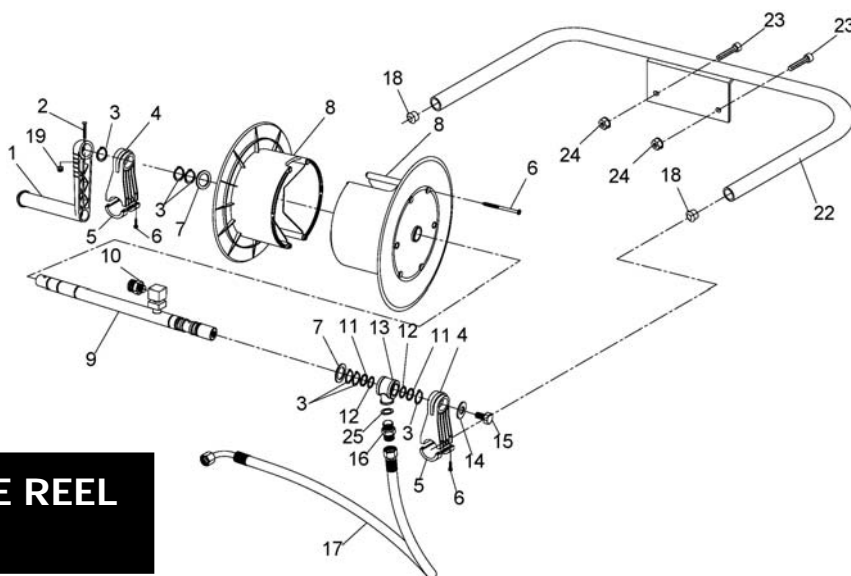
TX500

DIS. COD. 23.9540.00

POS	COD.	DESCRIZIONE – DESCRIPTION KIT	NR
1	23.0200.02	Serbatoio - Serie TX500	1
2	96.7600.00	Rosetta D. 26.0x44.0x4.0 UNI 6593	2
3	96.9360.00	Ruota D. 305x80x25	2
4	90.0636.00	Anello d'arresto RDFP25	2
5	23.0250.51	Borchia per ruota D. 305	2
6	96.7580.00	Rosetta D. 23.0x39.0x3.0 UNI 6592	1

POS	COD.	DESCRIZIONE – DESCRIPTION KIT	NR
7	99.1815.00	Vite M16x12	2
8	23.0230.51	Carenatura - Serie TX500	1
9	23.0203.51	Coperchio avvolgi-cavo	1
10	99.3059.00	Vite M8x20 UNI 5931	1
11	96.7072.00	Rosetta D. 9.0x24.0 UNI 6593	1
12	45.2125.70	Piattello valvola	1
13	23.0202.51	Avvolgi-cavo	1
14	23.0205.70	Portagomma G 1/8" - Ø 3	1
15	90.3835.00	OR D. 15.08x2.62 NBR SH. 70 119	1
16	10.0688.98	Tubo detergente L=55	1
17	99.1835.00	Vite M6x12 UNI 5931	1
18	23.0207.74	Staffa supporto ferma-cavo	1
19	93.5230.00	Pressa-cavo D. 6	1
20	23.0204.51	Tappo serbatoio	1
21	98.2020.00	Tappo M12x13	1
22	90.3855.00	OR D. 23.47x2.62 NBR SH. 70 3093	1
23	98.2916.00	Targhetta on-off	1
24	23.0223.01	Tubo 3/8" L=520	1
25	96.9400.00	Ruota pivot D. 80	1
26	99.3039.00	Vite M8x16 UNI 5931	4
27	99.1332.00	Vite M4x25 UNI 7687	2
28	23.9535.01	Avvolgi-tubo	1

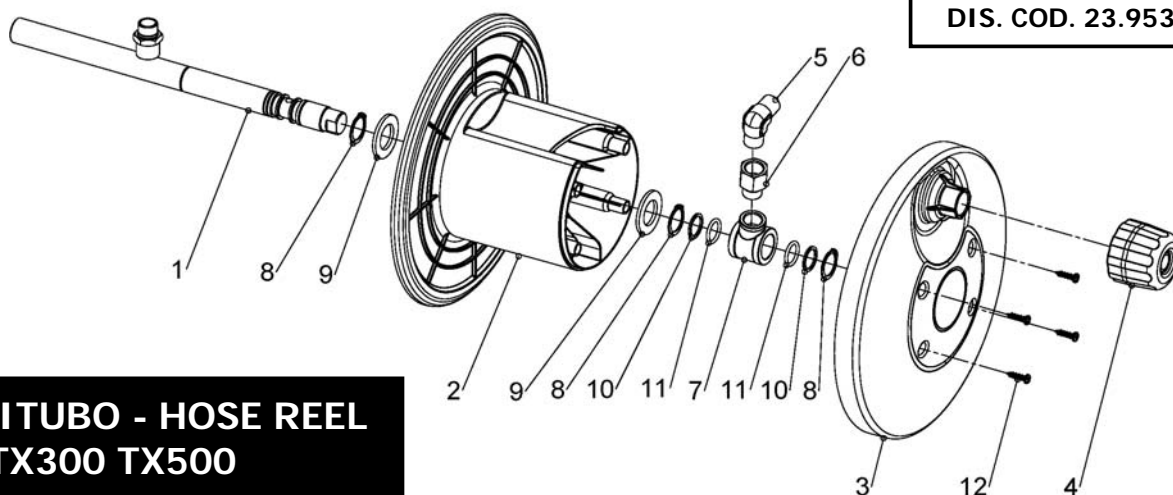
DIS. COD. 23.9530.00



**AVVOLGITUBO - HOSE REEL
T-TX IPX TSX**

POS	COD.	DESCRIZIONE - DESCRIPTION KIT	NR
1	23.5004.51	Manovella	1
2	99.1340.00	Vite M4x40 UNI 5933	1
3	90.0615.00	Anello d'arresto A22 UNI 7435	6
4	23.5002.51	Supporto superiore	2
5	23.5003.51	Supporto inferiore	2
6	99.1580.00	Vite D. 5x20	12
7	96.7580.00	Rosetta D. 23.0x39.0x3.0	2
8	23.5001.51	Semi-rocchetto	2
9	23.5005.02	Asse	1
10	23.5009.70	Innesto maschio G 1/4" - M22x1.5	1
11	90.5108.00	Anello antiest. D. 17.8x22.0x1.5	2
12	90.3841.00	OR D. 17.13x2.62 NBR SH. 70 3068	2

POS	COD.	DESCRIZIONE - DESCRIPTION KIT	NR
13	23.5023.41	Occhiello D. 22 - G 3/8" F	1
14	96.7150.00	Rosetta D. 11.0x30.0x2.5	1
15	99.3636.00	Vite M10x16 UNI 5739	1
16	95.2868.00	Nipplo doppio G 3/8"	1
17	98.4350.00	Tubo 3/8"x550 F-F G 3/8"xM22x1.5	1
18	98.2140.00	Tappo D. 19	2
19	92.1935.00	Dado M4x7x6 UNI 7473	1
20	23.5006.02	Staffa supporto - IPX	1
22	23.5007.02	Staffa supporto - T TX TSX	1
23	99.1990.00	Vite M6x60 UNI 5931 - T TX TSX	2
24	92.2040.00	Dado M6 - T TX TSX	2
25	96.7380.00	Rosetta D. 17.5x23.0x1.5	1



DIS. COD. 23.9533.00

**AVVOLGITUBO - HOSE REEL
TX300 TX500**

POS	COD.	DESCRIZIONE - DESCRIPTION KIT	NR
1	23.5011.01 23.5021.01	Asse - Serie TX300 Asse - Serie TX500	1
2	23.5015.51	Tamburo	1
3	23.5016.51	Coperchio	1
4	23.5017.51	Manopola	1
5	96.4150.00	Raccordo 90° M-M G 3/8" - G 3/8"	1
6	94.5150.00	Manicotto M-F G 3/8" - G 3/8"	1

POS	COD.	DESCRIZIONE - DESCRIPTION KIT	NR
7	23.5023.41	Occhiello D. 22 - G 3/8"	1
8	90.0615.00	Anello d'arresto A22 UNI 7435	3
9	96.7580.00	Rosetta D. 23.0x39.0 UNI 6592	2
10	90.5108.00	Anello antiest. D. 17.8x22.0x1.5	2
11	90.3841.00	OR D. 17.13x2.62 NBR SH. 70 3068	2
12	99.1580.00	Vite D. 5x20 UNI 9707	4

AZIENDA CON SISTEMA
DI GESTIONE QUALITÀ
CERTIFICATO DA DNV
= ISO 9001 =



INTERPUMP GROUP S.p.A.

Via E.Fermi, 25 - 42049 Sant'Ilario d'Enza (RE) Italy

Tel. +39 - 0522 904311 Fax +39 - 0522 904444

E-mail: info@interpumpgroup.it - [http:// www.interpumpgroup.it](http://www.interpumpgroup.it)

Part. IVA IT01682900350

Reg. Impr. RE - Cod. Fisc. 11666900151 - CC.I.A.A. R.E.A. n° 204185 - Reg. A.E.E.: IT08020000000 780