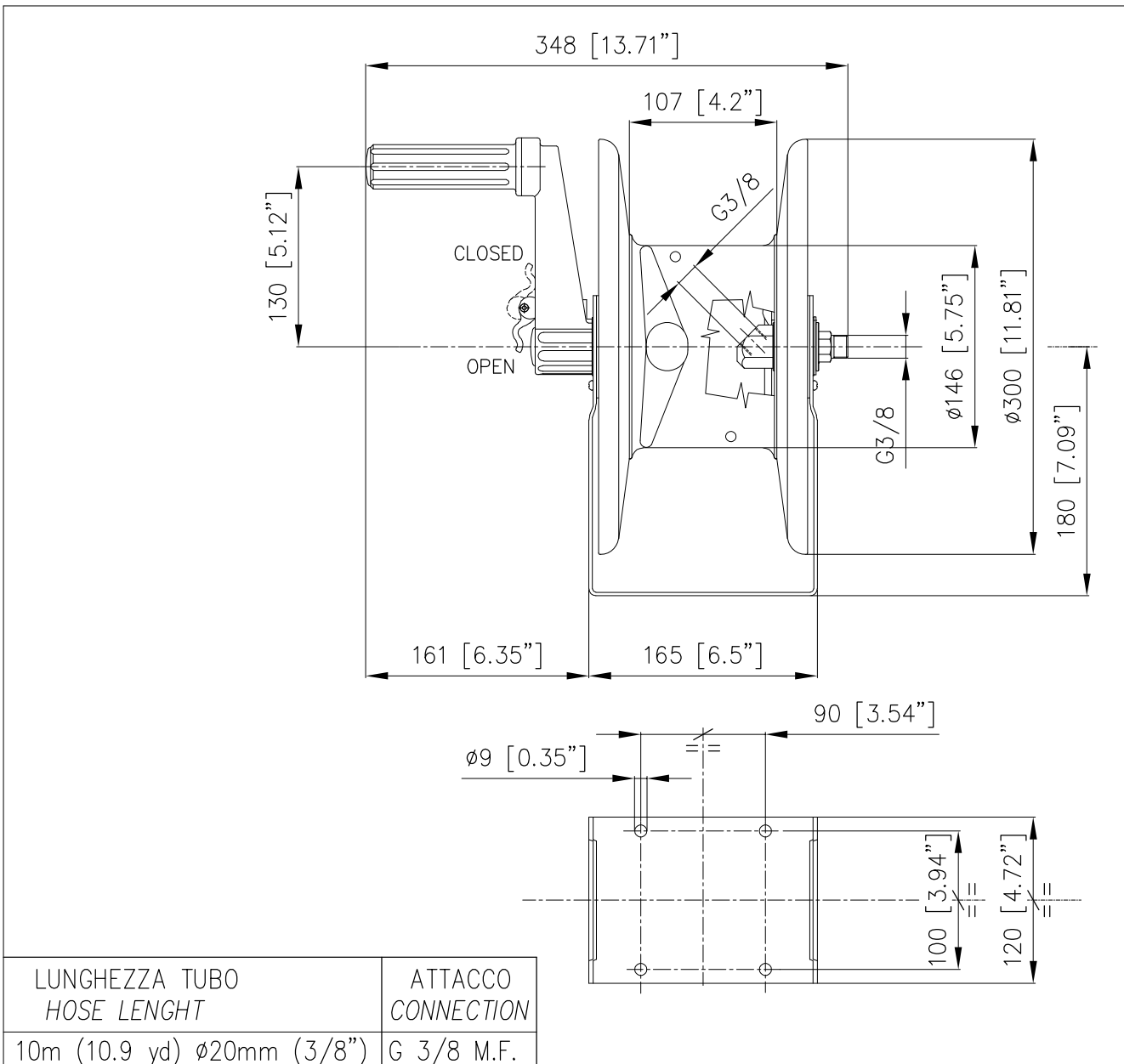


	EQUIPAGGIAMENTI TECNICI LAVAGGIO	T16 - 29.0710.00 AVVOLGITUBO IN PLASTICA HOSE REEL-THERMOPLASTIC	I GB	8
			28/11/18	

CARATTERISTICHE TECNICHE
SPECIFICATIONS

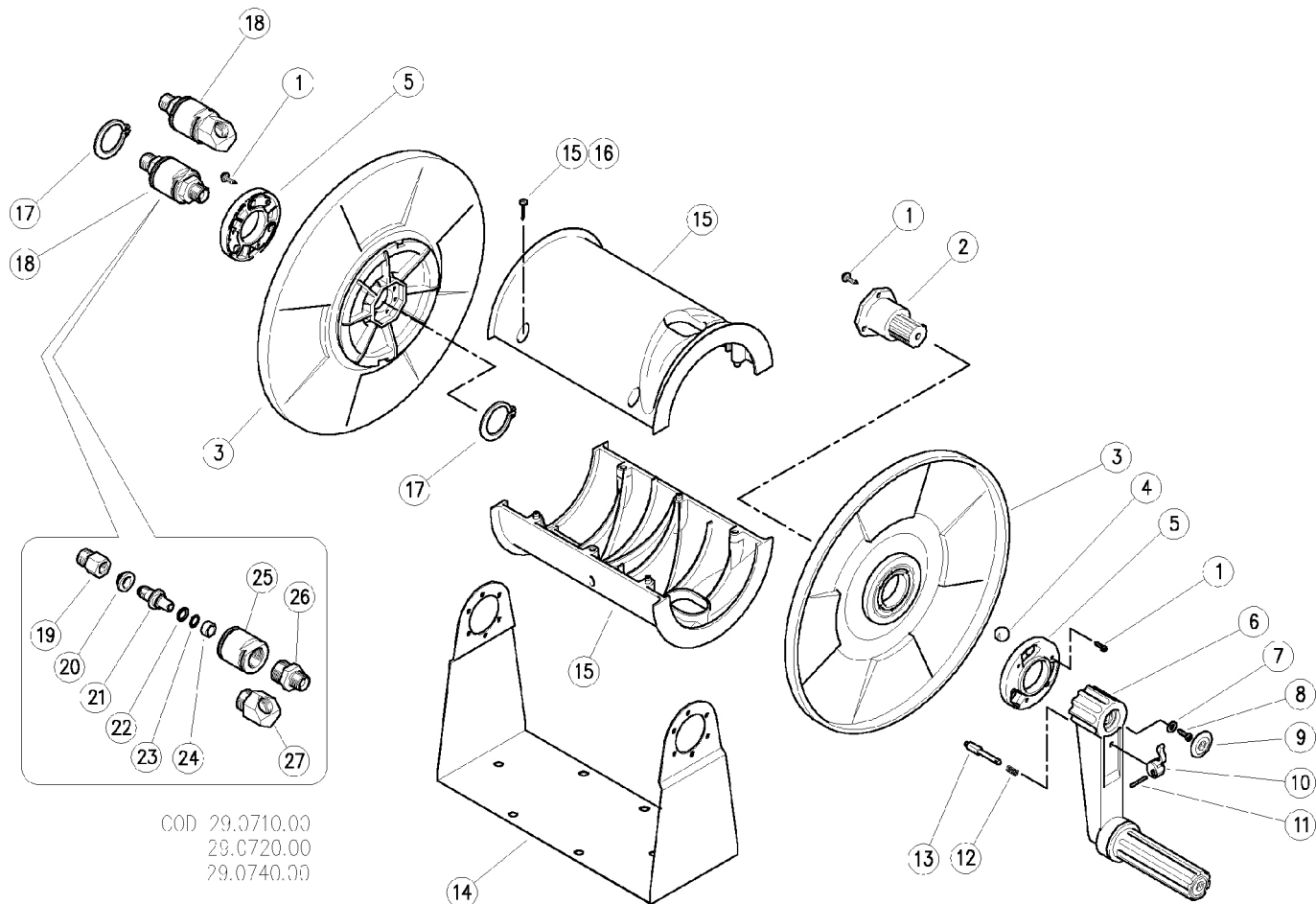
- PRESSIONE NOMINALE RATED PRESSURE	250 bar - 25 MPa (3650 psi)
- PRESSIONE CONSENTITA PERMISSIBLE PRESSURE	280 bar - 28 MPa (4050 psi)
- TEMPERATURA MASSIMA MAX WORKING TEMPERATURE	90° C (195° F)
- MATERIALE MATERIAL	MATERIALE PLASTICO AD ALTA RESISTENZA ANTIURTO CON GIUNTO GIREVOLE IN OTTONE E SUPPORTO IN ACCIAIO VERNICIATO. STRONG SHOCKPROOF PLASTIC WITH BRASS SWIVEL AND PAINTED SUPPORT.

MISURE D'INGOMBRO
OVERALL DIMENSIONS



29.0710.00 T16 Avv/tubo plast.G3/8MF 10m+giunto ott
 29.0720.00 T26 Avv/tubo plast.G3/8MM 20m+giunto ott

29.0740.00 T46 Avv/tubo plast.G3/8MM 40m+giunto ott



COD 29.0710.00
 29.0720.00
 29.0740.00

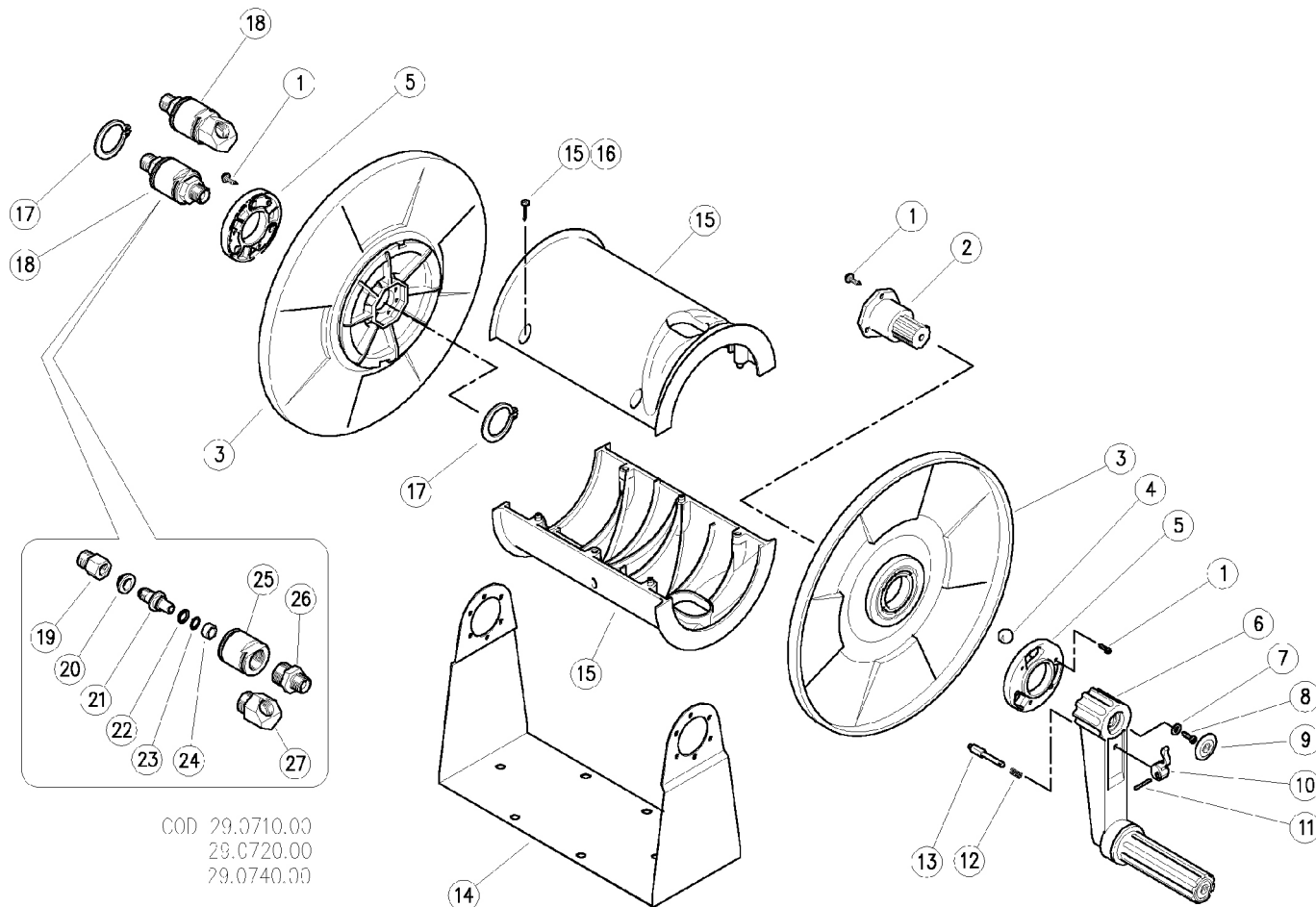
Pos.	Codice	Descrizione	Q.tà	K1	K2	K3	K4	Pos.	Codice	Descrizione	Q.tà	K1	K2	K3	K4
1	16.3092.12	Vite autofil. DIN7981 4x12 mm	9				10	15	29.0725.84	Semiguscio T26 PA nero (2)	2				2
2	29.0713.84	Perno trasmissione PA nero	1				2	15	29.0745.84	Semiguscio T46 PA nero (3)	2				2
3	29.0712.84	Disco laterale nero	2				2	16	16.3077.51	Vite autofil.3,5x20 mm inox (1)	4				10
4	14.7427.00	Sfera 7 mm inox	3				10	16	16.3077.51	Vite autofil.3,5x20 mm inox (2)	6				10
5	29.0714.84	Piattello POM nero	2				2	16	16.3077.51	Vite autofil.3,5x20 mm inox (3)	8				10
6	29.0723.21	Manovella nera	1	•			2	17	10.1035.00	An. elast. E 35	2				5
7	14.3569.05	Rosetta 6,4x11x1mm inox	1				10	18	26.1120.00	Sw -T16 ott. compl. (1)	1				1
8	16.3096.25	Vite autofil. DIN7976 6x25 mm inox	1				10	18	26.1100.00	Sw avv/tubo ott. compl.	1				1
9	41.0411.84	Tappo manopola PP nero	1				5	19	26.1101.31	Att. post. M12 F-G3/8M svas. ott.	1				10
10	29.0716.84	Leva PA rossa	1	•			5	20	26.1045.84	Boccola 12x20x6 mm Plast.	1				5
11	15.1035.00	Spina cil. 3x19 mm inox	1	•			10	21	26.1041.31	Perno M12x1,25 ott.	1				10
12	29.0722.51	Molla 0,7x6,9x24 mm inox	1	•			5	22	10.4010.01	An. anties. a. 10,2x13,9x1,2 mm	1				50
13	29.0717.31	Perno sicura ott.	1	•			5	23	10.3109.95	An.OR 2,4x9,3 mm Vi 70	1				25
14	29.0711.63	Supporto T16 vernic. nero (1)	1				1	24	26.1046.84	Boccola 10x14x7 mm Plast.	1				5
14	29.0721.63	Supporto T26 vernic. nero (2)	1				1	25	26.1104.31	Corpo M22x1F ott.	1				5
14	29.0741.63	Supporto T46 vernic. nero (3)	1				1	26	26.1105.31	Racc. G3/8M-M22x1M ott.	1				5
15	29.0715.84	Semiguscio T16 PA nero (1)	2				2	27	26.1121.31	Racc. 45° G3/8F-M22x1M ott. (1)	1				5

Kit	Codice	Descrizione	Q.tà
K1	29.9210.98	Stgr.manovella avvolg.serie T *6	2

(1) 29.0710.00 (2) 29.0720.00 (3) 29.0740.00

29.0710.00 T16 H.reel,plast.3/8MF Bsp 10m+brass sw.
 29.0720.00 T26 H.reel,plast.3/8MM Bsp 20m+brass sw.

29.0740.00 T46 H.reel,plast.3/8MM Bsp 40m+brass sw.



COD 29.0710.00
 29.0720.00
 29.0740.00

Pos.	P/N	Description	Q.ty	K1	K2	K3	K4		Pos.	P/N	Description	Q.ty	K1	K2	K3	K4	
1	16.3092.12	S/tapping screw, DIN7981 4x12 mm	9					10	15	29.0725.84	Semi-shell -T26, PA black (2)	2					2
2	29.0713.84	Transmission pin, PA black	1					2	15	29.0745.84	Semi-shell -T46, PA black (3)	2					2
3	29.0712.84	Side disc, black	2					2	16	16.3077.51	S/tapping screw, 3,5x20 mm Sst. (1)	4					10
4	14.7427.00	Ball, 7 mm Sst.	3					10	16	16.3077.51	S/tapping screw, 3,5x20 mm Sst. (2)	6					10
5	29.0714.84	Washer, POM black	2					2	16	16.3077.51	S/tapping screw, 3,5x20 mm Sst. (3)	8					10
6	29.0723.21	Crank, black	1	•				2	17	10.1035.00	Snap ring, E 35	2					5
7	14.3569.05	Washer, 6,4x11x1 mm Sst.	1					10	18	26.1120.00	Sw -T16, brass -compl. (1)	1					1
8	16.3096.25	S/tapping screw, DIN7976 6x25 mm Sst.	1					10	18	26.1100.00	Sw -hose reel, brass -compl.	1					1
9	41.0411.84	Plug, Knob PP black	1					5	19	26.1101.31	Back cpl., M12 F-3/8M Bsp c/sunk brs	1					10
10	29.0716.84	Lever, PA red	1	•				5	20	26.1045.84	Bushing, 12x20x6 mm Plast.	1					5
11	15.1035.00	Parallel pin, 3x19 mm Sst.	1	•				10	21	26.1041.31	Pin, M12x1,25 brass	1					10
12	29.0722.51	Spring, 0,7x6,9x24 mm Sst.	1	•				5	22	10.4010.01	Back-up ring, 10,2x13,9x1,2mm	1					50
13	29.0717.31	Safety stud, brass	1	•				5	23	10.3109.95	O-ring, 2,4x9,3 mm Vi 70	1					25
14	29.0711.63	Support -T16, painted black (1)	1					1	24	26.1046.84	Bushing, 10x14x7 mm Plast.	1					5
14	29.0721.63	Support -T26, painted black (2)	1					1	25	26.1104.31	Housing, M22x1F brass	1					5
14	29.0741.63	Support -T46, painted black (3)	1					1	26	26.1105.31	Coupling, 3/8M Bsp-M22x1M brass	1					5
15	29.0715.84	Semi-shell -T16, PA black (1)	2					2	27	26.1121.31	Coup., 45° 3/8F Bsp-M22x1M brass (1)	1					5

Kit	P/N	Description	
K1	29.9210.98	Kit crank, black	2

(1) 29.0710.00 (2) 29.0720.00 (3) 29.0740.00



P.A. S.p.A.

Via Milano, 13
42048 Rubiera, Reggio Emilia - Italy

Tel +39.0522.623611
Fax +39.0522.629600

info@pa-etl.it

www.pa-etl.it



COMPANY WITH QUALITY MANAGEMENT
SYSTEM CERTIFIED BY DNV
= ISO 9001 =