

easywash365+ lance holder for double lances, Foam & Clean, Push & Pull, etc.



The choice of perfection

easywash365+

Foam & Clean:
enough space for nozzle
protection and
foam head.



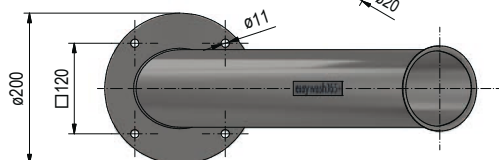
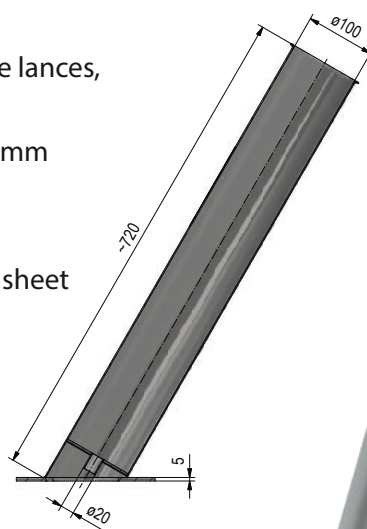
Noble
appearance:
stainless steel

Lances with a
handle:
double lances with a
side handle are also in
good hands here.



The practical easywash365+ holder with extra large diameter for self-service car washes and for prewashing

- The lance holder for storing lances (also double lances, Foam & Clean and Push & Pull lances)
- Holder dimensions: H x W x D: 650 x 200 x 500 mm
- Dimensions of holder tube: tube \varnothing 100 mm / base \varnothing 200 mm
- Solidly made from 1.5 mm thick stainless steel sheet
- Solid mounting plate 5 x 200 mm
- Weight: 3.8 kg



Clean and permanent
welding



Connection: drain connector
with 20 mm diameter

Easy mounting: The mounting plate is provided with four 11 mm holes.

R+M Nr.
105 626