

MODEL 2560 AND 2565 PLUNGER PUMP



NEW Product Available Fall 2020

2560
16 GPM | 3,000 PSI

2565
20 GPM | 2,500 PSI



Maximize Uptime with Cat Pumps

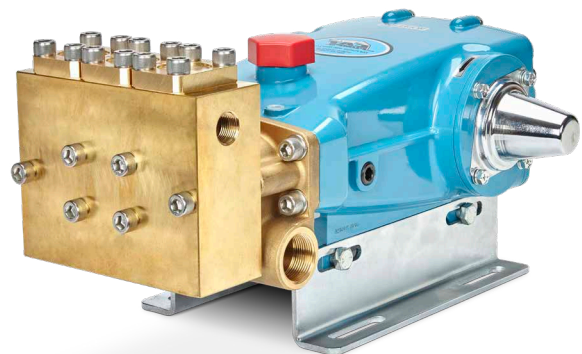
Cat Pumps products are accepted as an industry standard for high-pressure applications. Our dependable performance keeps equipment running to meet production requirements and tight schedules. Given its durability, the 2560 and 2565 can be used in a variety of mobile and industrial applications, such as hydroexcavating, jetting, hydroblasting, central cleaning, equipment washdown, among others.

Features:

- Crankcase crosshead area is concentric with 360° plunger rod support and features drilled-through oil port to lubricate front side of crosshead area, resulting in long, reliable drive-end performance.
- Two-coat electrostatic applied primer + epoxy paint finish provides a more durable finish than anodizing for better appearance and durability in outdoor environments.
- Flexible drive options:
 - Belt drive to engine or motor
 - Direct drive to hydraulic motor

Typical Applications:

- Hydroexcavating
- Water Jetting
- Surface Preparation
- Central Cleaning Systems
- Equipment Washdown
- High-Flow/Pressure Flushing
- Multi-Gun Systems



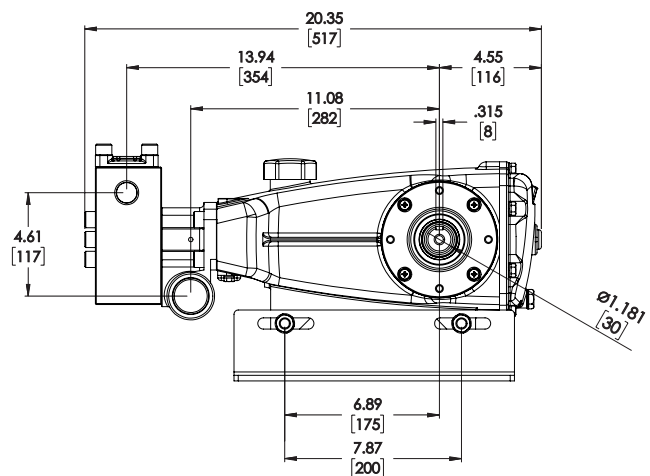
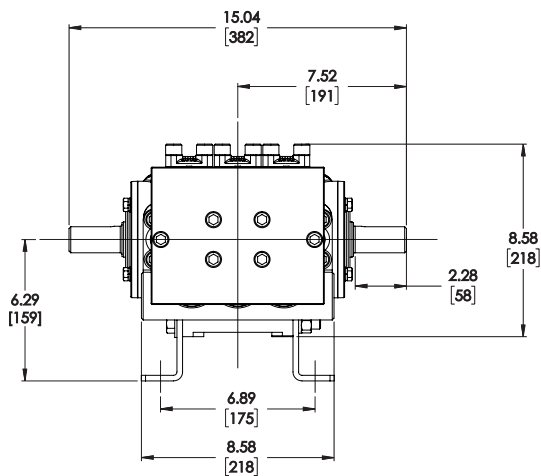
Specifications

	US Measure	Metric Measure
Flow 2560	16 gpm	60.5 lpm
Flow 2565	20 gpm	75.7 lpm
Pressure 2560	3,000 psi	207 bar
Pressure 2565	2,500 psi	172 bar
RPM*	1450 rpm	1450 rpm

*Pump Minimum is 100 RPM

	US Measure	Metric Measure
Inlet Pressure Range	Flooded to 30 psi	Flooded to 2.1 bar
Max Liquid Temp	140°F	60°C
Inlet Ports (2)	1 1/4" NPT(F)	1 1/4" NPT(F)
Discharge Ports (2)	3/4" NPT(F)	3/4" NPT(F)
Weight	95 lbs	42 kg
Dimensions	20.35 x 15.04 x 8.58"	517 x 382 x 218 mm

Dimensions



Popular Accessories



Pressure Regulator

PN 7542
1 – 21 GPM
800 – 4,000 PSI



Pop-Off Valve

PN 9940
0 – 25 GPM
1,000 – 4,000 PSI



Pressure Gauge

PN 6089
0 – 6,000 PSI



Filter

PN 7107.7
50 GPM Max
1-1/4" NPT(F)



Oil

PN 6107
21 oz. Bottle
Specially Formulated for
Extended Protection

Contact Cat Pumps for more information at info@catpumps.com or 763-780-5440



CAT PUMPS

1681 - 94TH LANE N.E. MINNEAPOLIS, MN 55449-4324
PHONE (763) 780-5440 — FAX (763) 780-2958
e-mail: info@catpumps.com
www.catpumps.com